



US00D436825S

(12) **United States Design Patent**
Chen

(10) **Patent No.:** **US D436,825 S**

(45) **Date of Patent:** **** Jan. 30, 2001**

(54) **RETRACTABLE BLADE CUTTER KNIFE**

(75) Inventor: **Jau-Shyong Chen, Chang Hua (TW)**

(73) Assignee: **SDI Corporation, Chang Hua (TW)**

(**) Term: **14 Years**

(21) Appl. No.: **29/120,444**

(22) Filed: **Mar. 17, 2000**

(51) **LOC (7) Cl.** **08-03**

(52) **U.S. Cl.** **D8/99; D8/98**

(58) **Field of Search** **D8/98, 99, 107;**
30/155, 162, 320, 329, 335, 337

(56) **References Cited**

U.S. PATENT DOCUMENTS

D. 264,799	*	6/1982	Osada	D8/99
D. 264,800	*	6/1982	Osada	D8/99
D. 264,801	*	6/1982	Osada	D8/99
D. 264,802	*	6/1982	Osada	D8/99
D. 264,803	*	6/1982	Machida	D8/99

D. 324,475	*	3/1992	Staubitz et al.	D8/99
D. 398,829	*	9/1998	Okada	D8/99
D. 412,655	*	8/1999	Gilbert et al.	D8/99
5,502,896	*	4/1996	Chen	30/162

* cited by examiner

Primary Examiner—Philip S. Hyder

(74) *Attorney, Agent, or Firm*—Dorsey & Whitney LLP

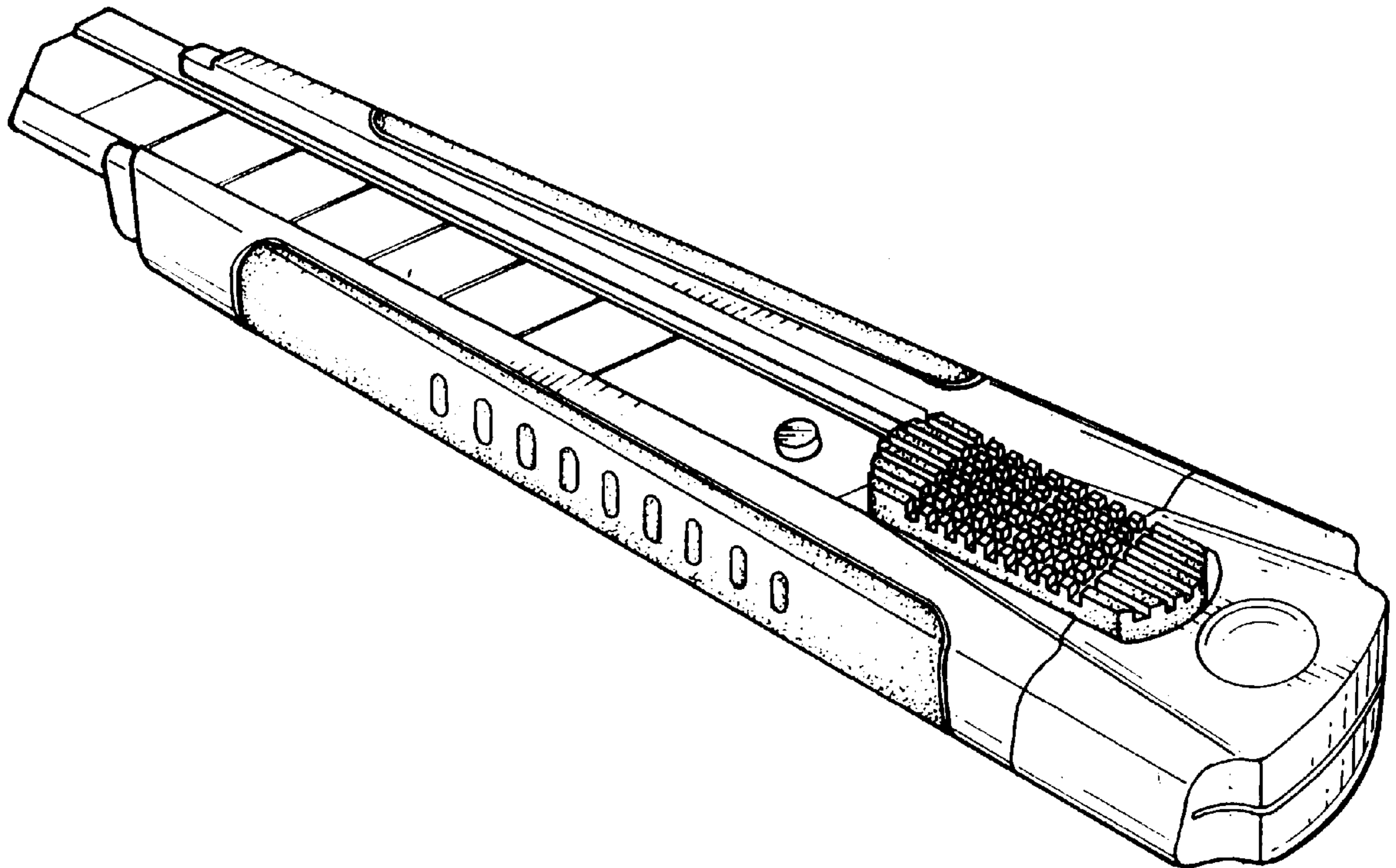
(57) **CLAIM**

The ornamental design for a retractable blade cutter knife, as shown.

DESCRIPTION

FIG. 1 is a perspective view of a retractable blade cutter knife, showing my new design;
FIG. 2 is a front elevational view thereof;
FIG. 3 is a rear elevational view thereof;
FIG. 4 is a left side elevational view thereof;
FIG. 5 is a right side elevational view thereof;
FIG. 6 is a top plan view thereof; and,
FIG. 7 is a bottom plan view thereof.

1 Claim, 4 Drawing Sheets



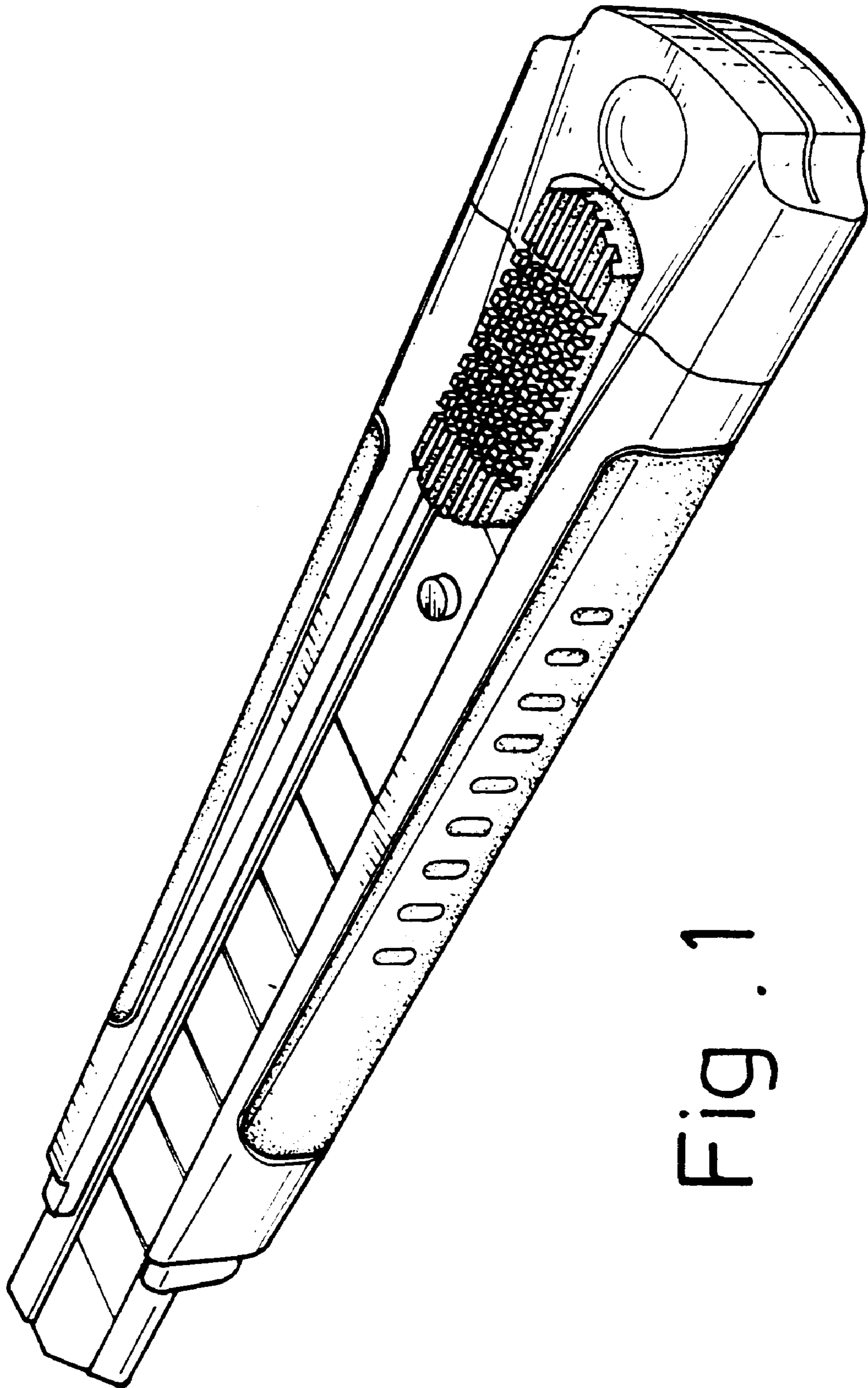


Fig. 1

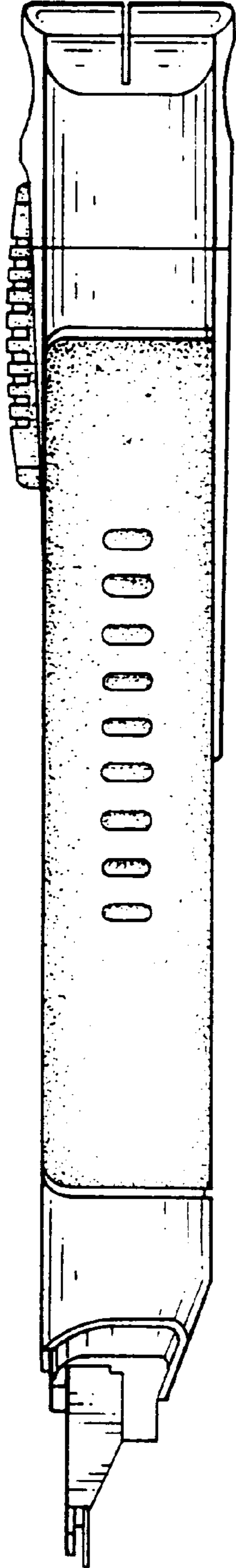


Fig. 2

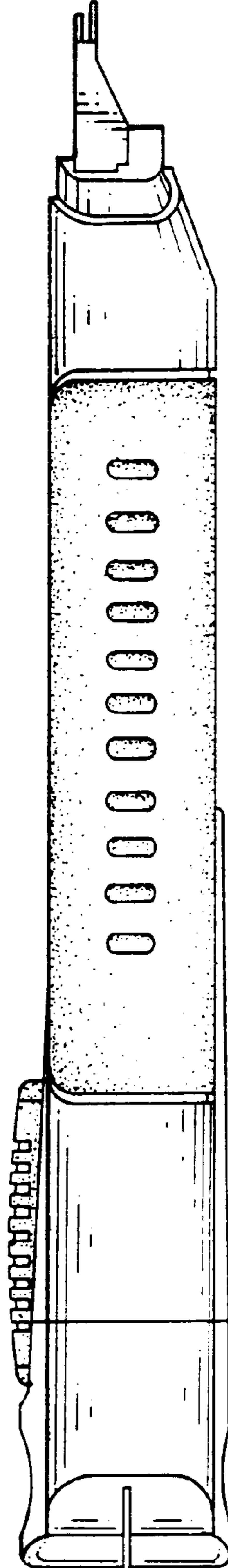


Fig. 3

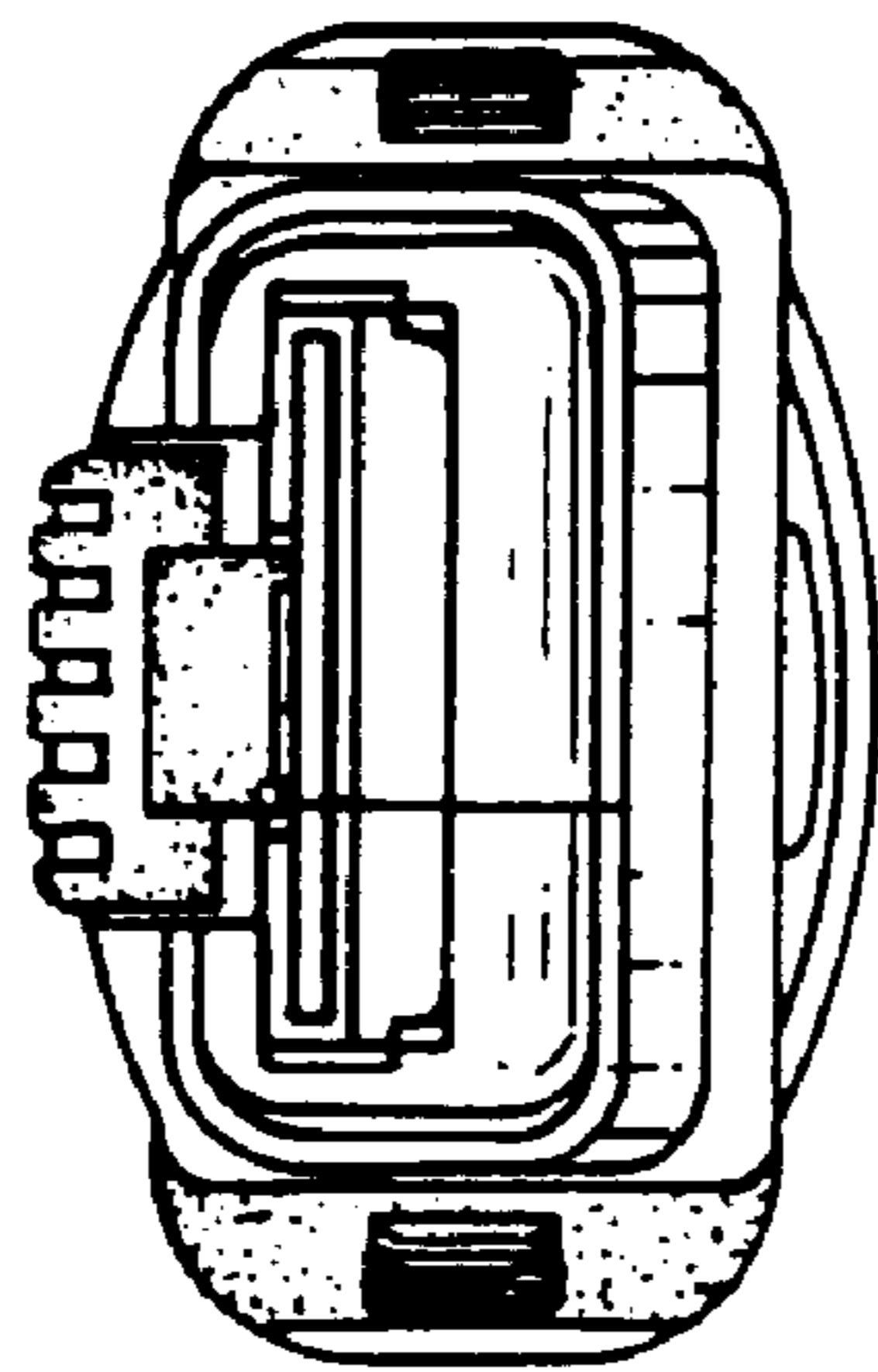


Fig. 4

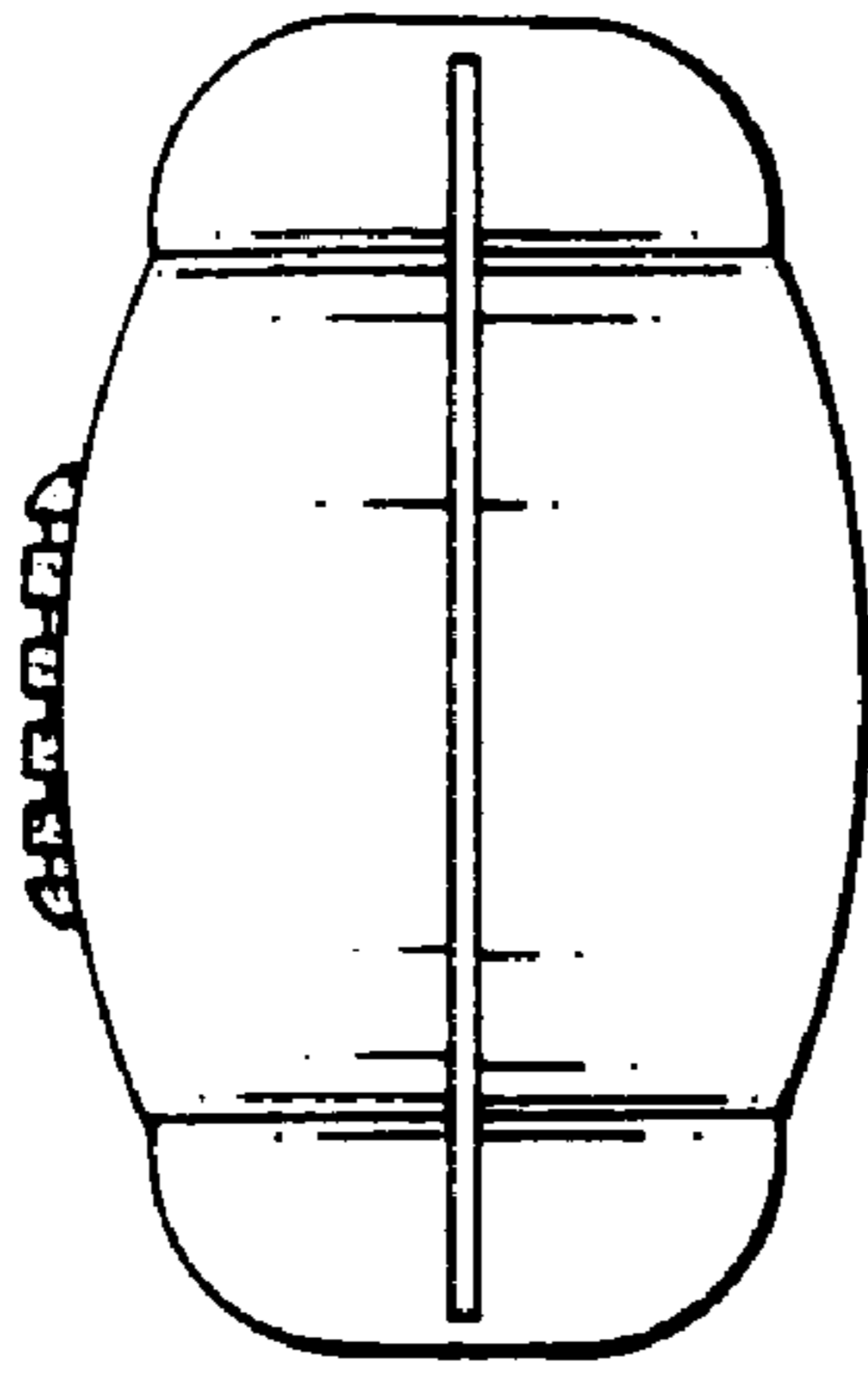


Fig. 5

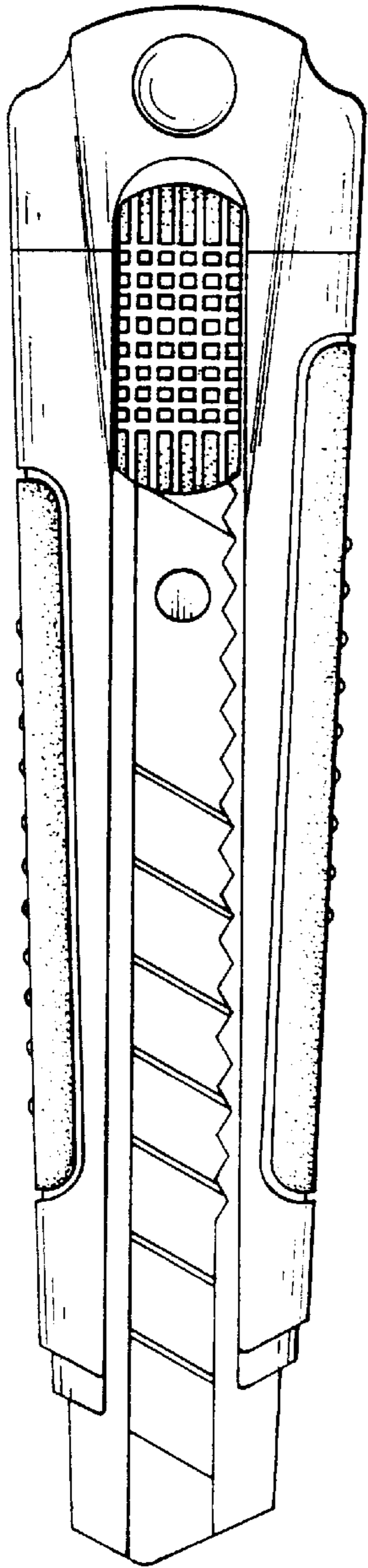


Fig. 6

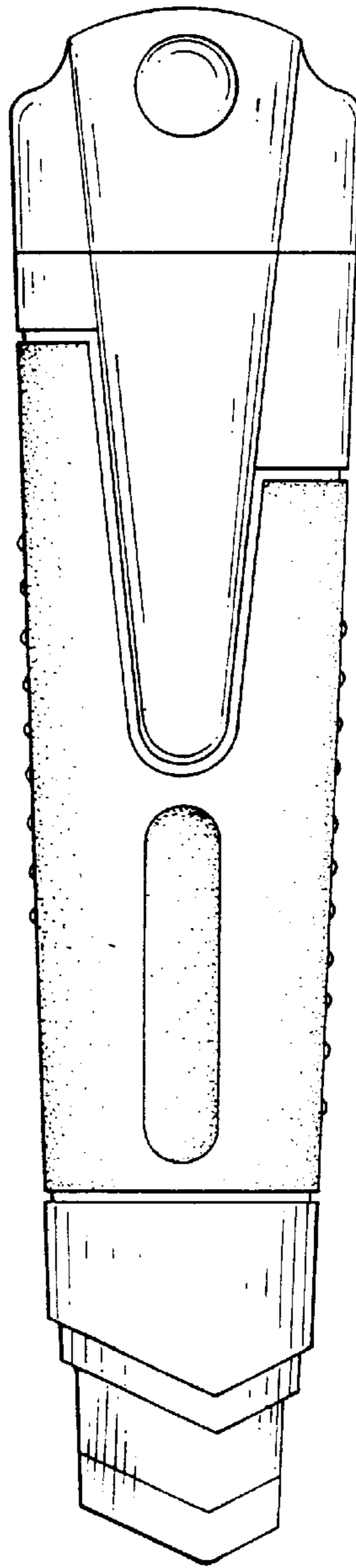


Fig. 7