



US00D436824S

(12) **United States Design Patent**
Douglas et al.

(10) **Patent No.:** **US D436,824 S**

(45) **Date of Patent:** **** Jan. 30, 2001**

(54) **SAW HANDLE**

(75) **Inventors:** **Patrick Douglas**, Minneapolis; **Tor Alden**, Minnetonka; **Brett Johnson**, St. Paul; **Charles Graves**, Woodbury, all of MN (US)

(73) **Assignee:** **Target Brands, Inc.**, Minneapolis, MN (US)

(**) **Term:** **14 Years**

(21) **Appl. No.:** **29/120,366**

(22) **Filed:** **Mar. 17, 2000**

(51) **LOC (7) Cl.** **08-03**

(52) **U.S. Cl.** **D8/96**

(58) **Field of Search** D8/95, 96, 97,
D8/98, 99, 107; 30/507, 508, 513, 514,
517, 518

(56) **References Cited**

U.S. PATENT DOCUMENTS

D. 33,617	11/1900	Shaw	D8/97
D. 152,996	* 3/1949	McQuillan	D8/96
D. 159,957	* 9/1950	Clemson	D8/96
D. 220,677	* 5/1971	Erkers	D8/96
D. 224,903	* 10/1972	Drier	D8/96

D. 239,252	* 3/1976	Covey et al.	D8/96
D. 249,453	9/1978	Covey	D8/97
D. 254,243	2/1980	Florian et al.	D8/98
D. 262,600	* 1/1982	Crick	D8/96
D. 276,407	* 11/1984	Jacoff	D8/96
D. 370,610	* 6/1996	Neyton	D8/96
3,636,997	* 1/1972	Keymer	30/513
3,702,627	11/1972	Dreier	.	
3,821,974	* 7/1974	Merrow	30/513

* cited by examiner

Primary Examiner—Philip S. Hyder

(74) *Attorney, Agent, or Firm*—Faegre & Benson LLP

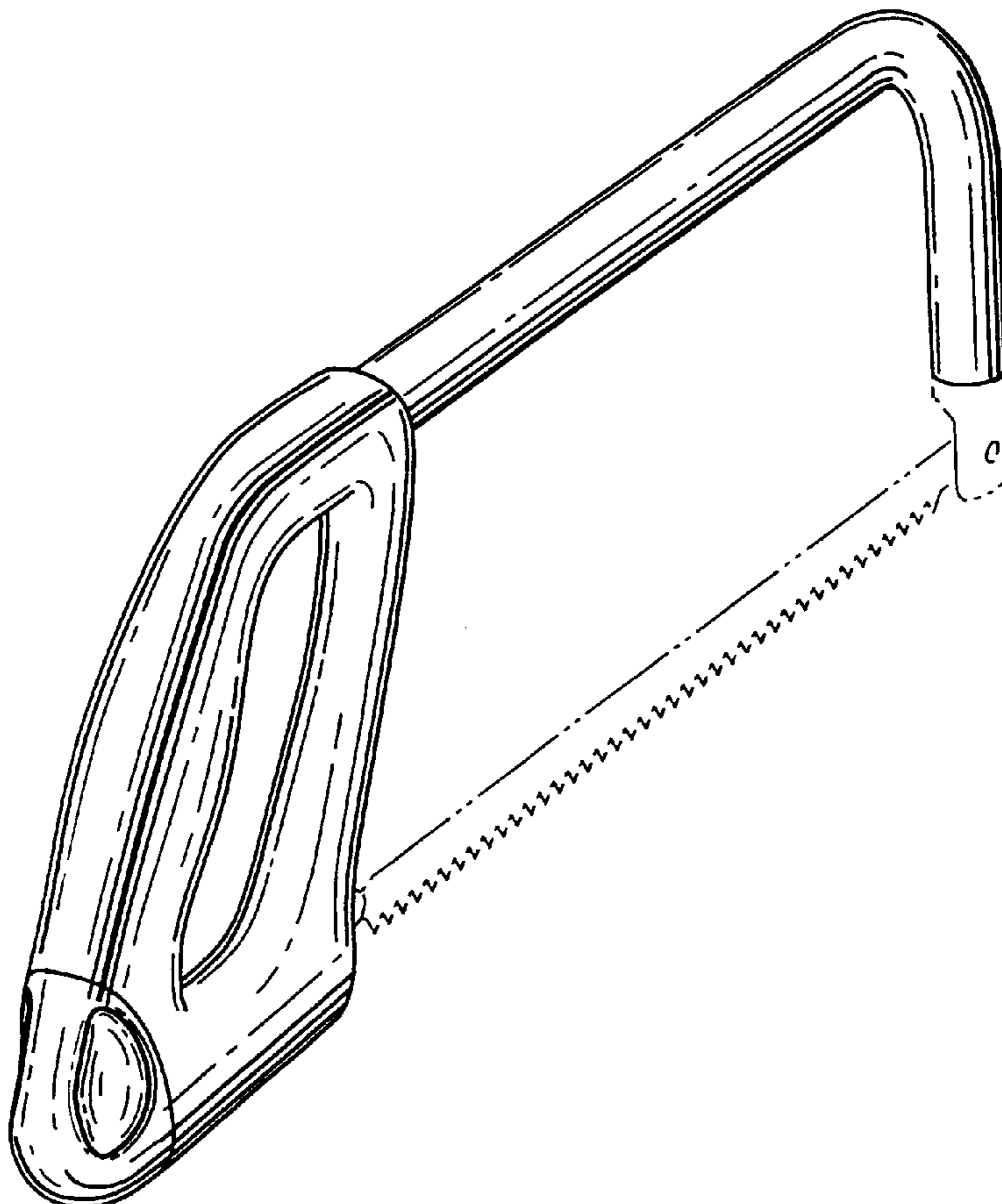
(57) **CLAIM**

The ornamental design for a saw handle, as shown and described.

DESCRIPTION

FIG. 1 is a view in perspective of a saw handle.
FIG. 2 is a front view of the saw handle of FIG. 1.
FIG. 3 is a top plan view of the saw handle of FIG. 1.
FIG. 4 is a bottom view of the saw handle of FIG. 1.
FIG. 5 is a left end view of the saw handle of FIG. 1; and,
FIG. 6 is a right end view of the saw handle of FIG. 1.
The broken line portions of the disclosure are for illustrative purposes only and form no part of the claimed design.

1 Claim, 3 Drawing Sheets



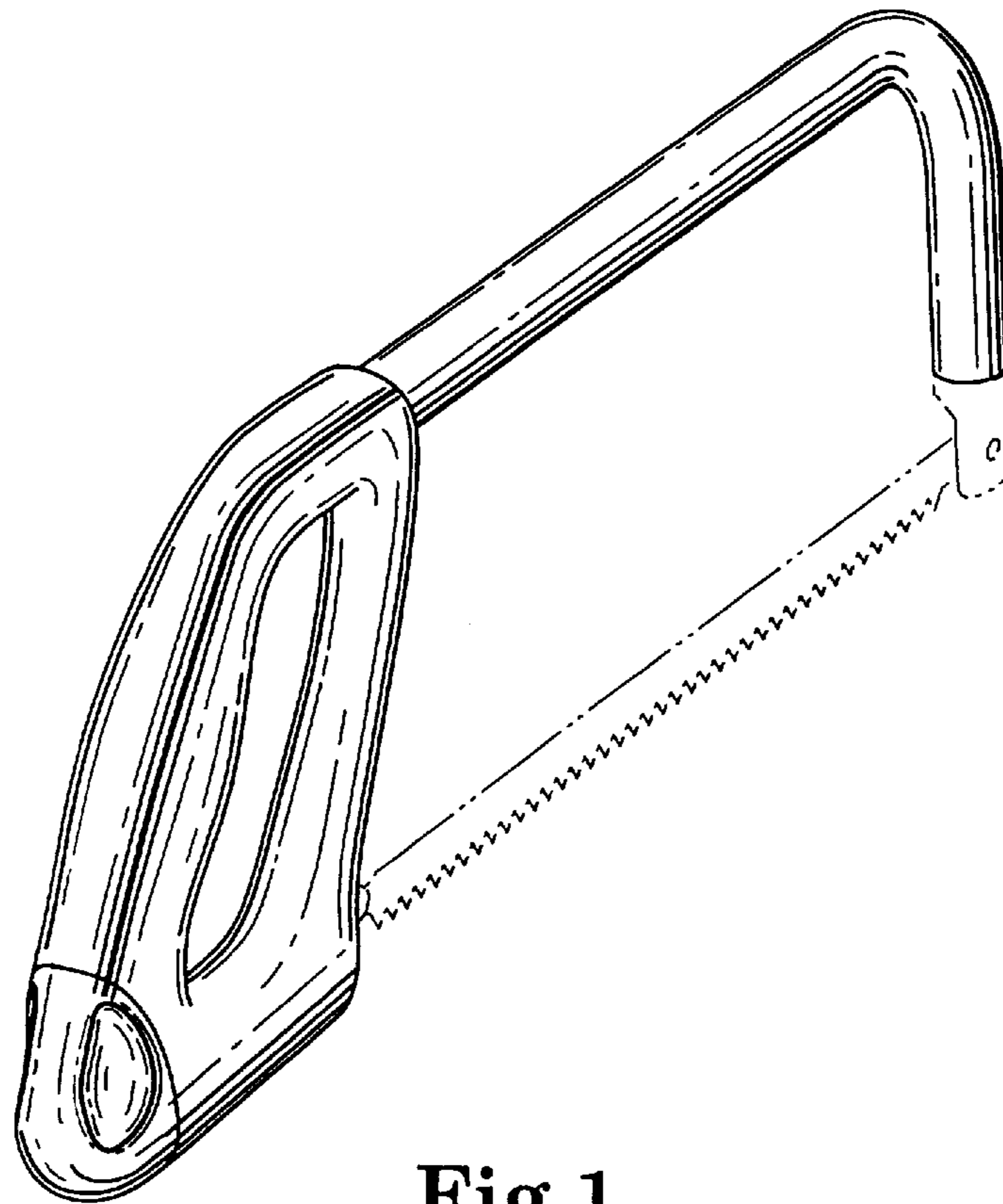


Fig.1

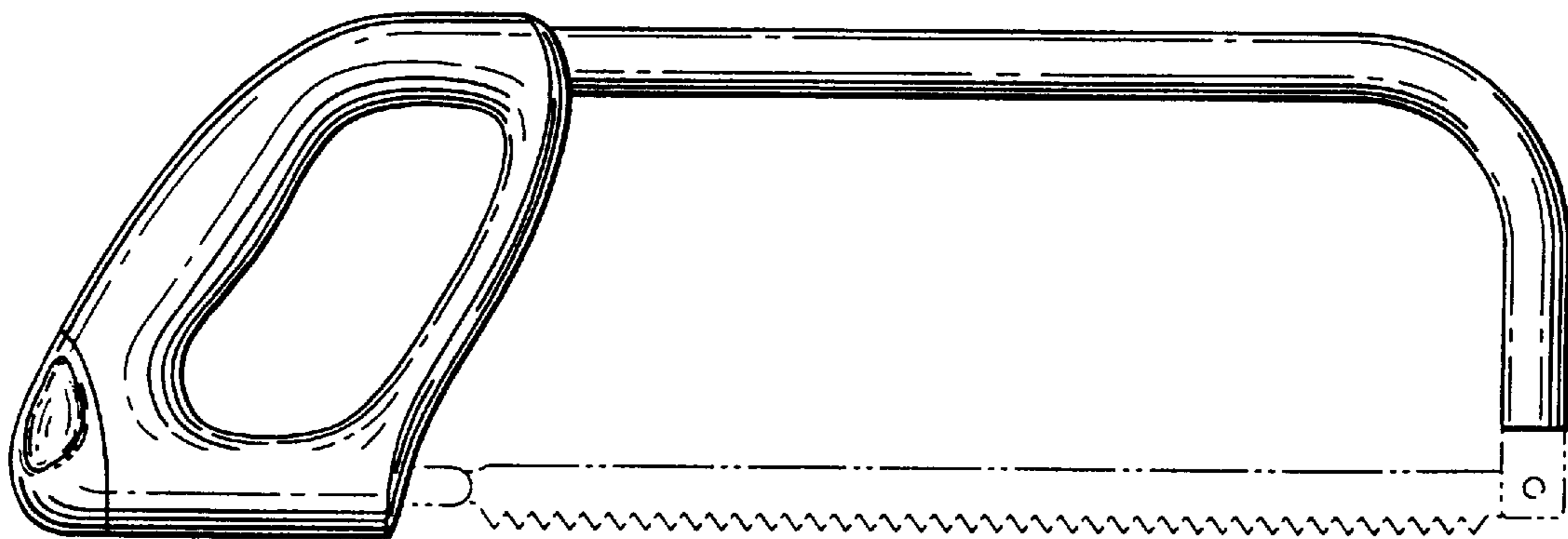


Fig.2

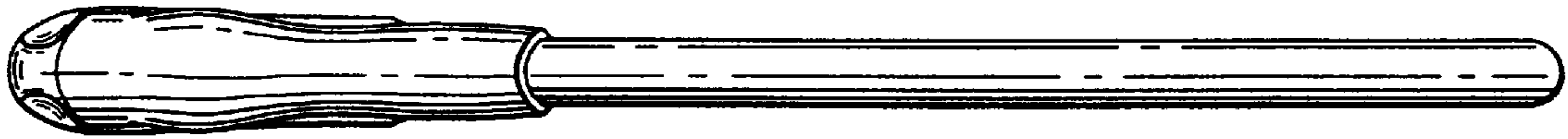


Fig.3

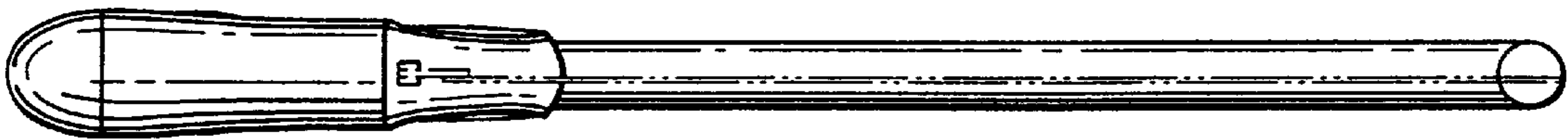


Fig.4

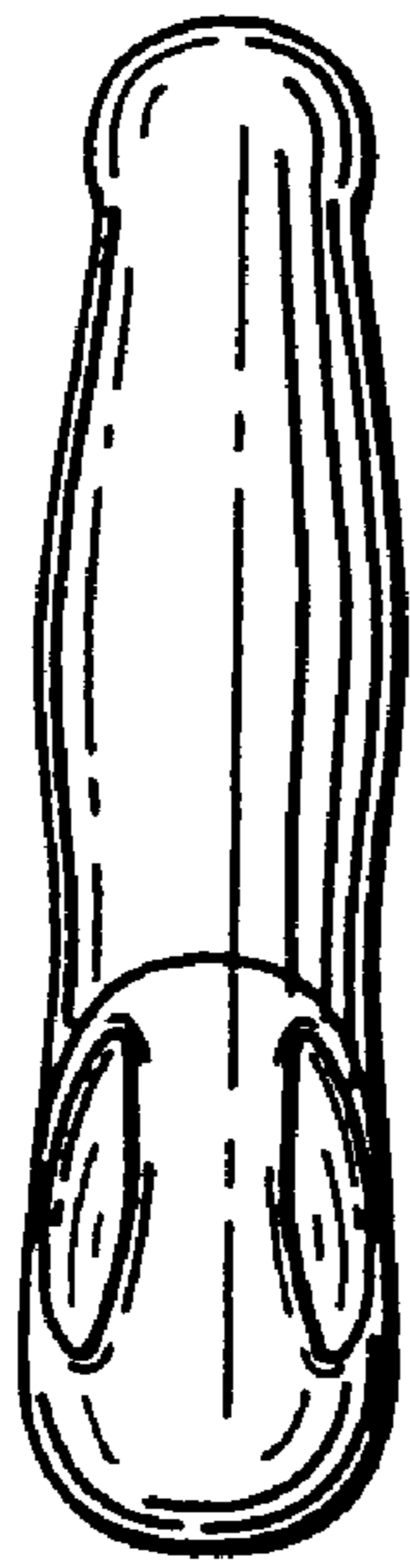


Fig.5

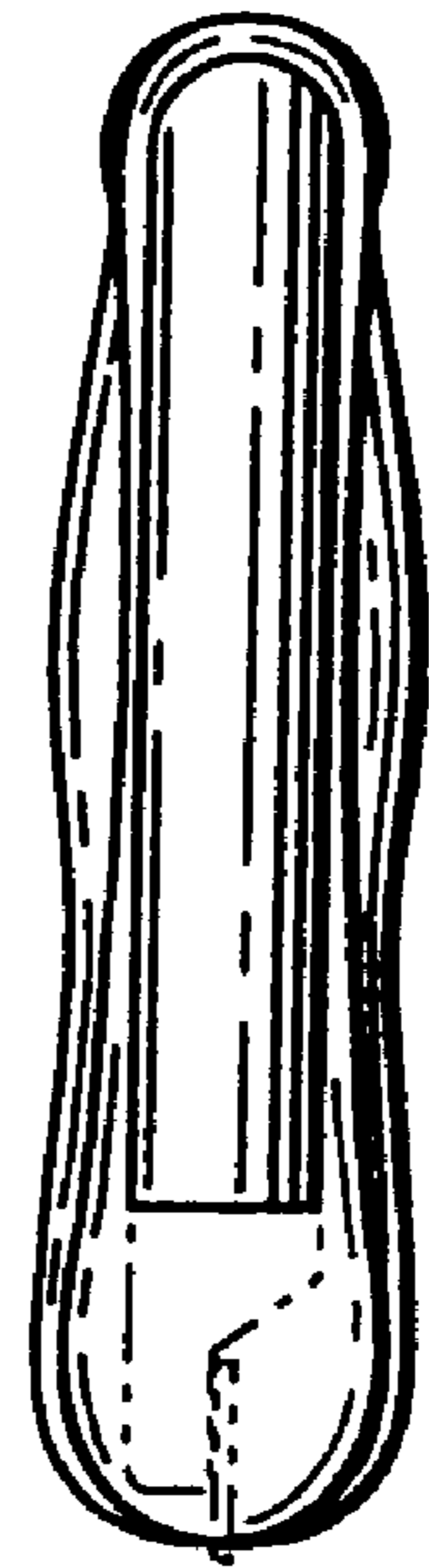


Fig.6