



US00D436818S

(12) **United States Design Patent**  
**Izumisawa**

(10) **Patent No.:** **US D436,818 S**

(45) **Date of Patent:** **\*\* Jan. 30, 2001**

(54) **IMPACT WRENCH**

**FOREIGN PATENT DOCUMENTS**

(75) Inventor: **Osamu Izumisawa**, Tokyo (JP)

0849052A2 6/1998 (EP) .

(73) Assignee: **S.P. Air Kabusiki Kaisha**, Nagano Pref. (JP)

**OTHER PUBLICATIONS**

(\*\*) Term: **14 Years**

(21) Appl. No.: **29/124,033**

Ingersoll-Rand publication entitled, "Ingersoll-Rand Automotive Power Tools Catalog," 1996, pp. 1, 8-9, 11-17, 23 and 41.

(22) Filed: **May 26, 2000**

Mermaid Distributors publication entitled, "Shinano Pneumatic Ind. Inc.," published at least as early as Jan. 26, 2000.  
Coventrys publication entitled, "Coventrys SP Air," Sep. 1994.

**Related U.S. Application Data**

SP Air Corporation publication entitled, "1/2 [inch] Square Drive Impact Wrenches," published at least as early as Jan. 26, 2000.

(63) Continuation-in-part of application No. 29/117,546, filed on Jan. 26, 2000.

Shinano Pneumatic Industries Inc. publication entitled, "SP Air," published at least as early as Jan. 26, 2000.

(51) **LOC (7) Cl.** ..... **08-05**

Shinano Pneumatic Industries Inc. publication entitled, "SP Pneumatic Tools," published at least as early as Jan. 26, 2000, pp. 1-2, 7-12 and 15.

(52) **U.S. Cl.** ..... **D8/68**

(58) **Field of Search** ..... D8/68; 81/54, 81/57.13, 57.14, 177.1; 173/169, 170

Burson Auto Parts publication entitled, "Burson Auto Parts SP Air," 1994.

(56) **References Cited**

Viking Air Tools untitled publication, Aug. 1990.

**U.S. PATENT DOCUMENTS**

*Primary Examiner*—Antoine Duval Davis

- Re. 35,617 9/1997 Krivec .
- D. 205,091 6/1966 Averitt .
- D. 223,134 \* 3/1972 Bunyea ..... D8/61
- D. 256,771 9/1980 Kitagawa et al. .
- D. 256,980 9/1980 Adams et al. .
- D. 288,769 3/1987 Doman .
- D. 288,770 3/1987 Doman .
- D. 289,136 4/1987 Doman .
- D. 294,001 \* 2/1988 Greenlee et al. .... D8/61
- D. 299,411 1/1989 Porcaro .
- D. 313,736 1/1991 Boliver et al. .
- D. 316,019 4/1991 Belanger .
- D. 319,763 9/1991 Reiferscheid .
- D. 324,801 3/1992 Caskey et al. .
- D. 324,802 3/1992 Caskey et al. .
- D. 327,830 7/1992 Fisher .
- D. 329,580 9/1992 Sasaki et al. .
- D. 344,000 2/1994 Shibata et al. .

(74) *Attorney, Agent, or Firm*—Senniger, Powers, Leavitt & Roedel

(57) **CLAIM**

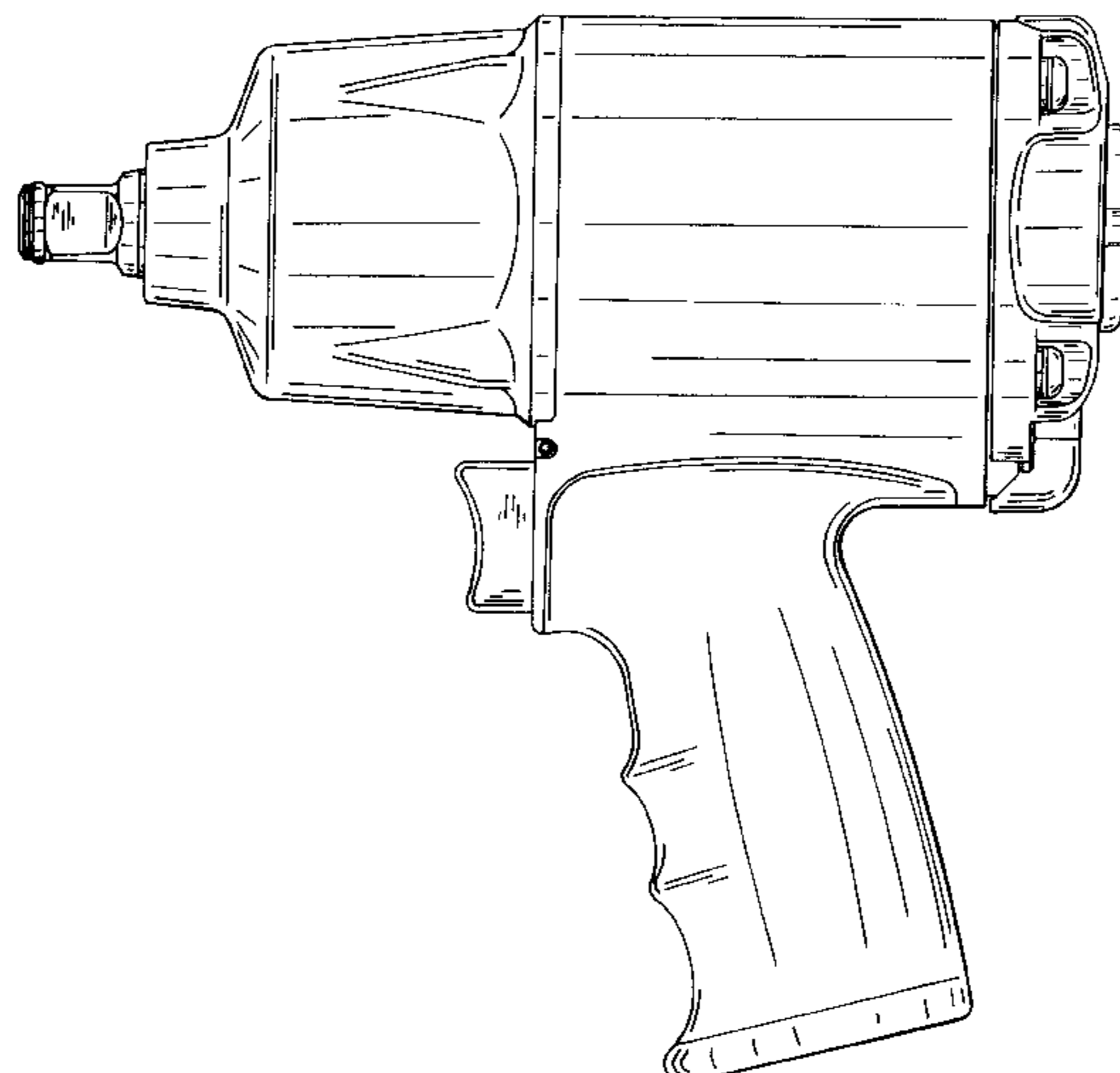
The ornamental design for an impact wrench, as shown and described.

**DESCRIPTION**

FIG. 1 is a right side elevational view of an impact wrench of the present invention, the left side elevational view being a mirror image thereof;  
FIG. 2 is a front elevational view of the wrench;  
FIG. 3 is a rear elevational view of the wrench;  
FIG. 4 is a top plan view of the wrench; and,  
FIG. 5 is a bottom plan view of the wrench.

(List continued on next page.)

**1 Claim, 3 Drawing Sheets**



# US D436,818 S

Page 2

---

U.S. PATENT DOCUMENTS					
			3,833,068	9/1974	Hall .
			3,880,245	4/1975	Anderson, Jr. .
D. 360,129	7/1995	Guegan et al. .	3,924,961	* 12/1975	Hess et al. .... 173/169 X
D. 364,544	11/1995	Izumisawa .	3,951,217	4/1976	Wallace et al. .
D. 388,678	1/1998	Bantly et al. .	4,379,492	4/1983	Hiraoka .
D. 393,580	4/1998	Bantly et al. .	4,778,015	10/1988	Jacobsson .
D. 394,995	6/1998	Cooper .	5,083,619	1/1992	Giardino et al. .
D. 400,074	10/1998	Cooper .	5,199,505	4/1993	Izumisawa .
D. 403,564	1/1999	Izumisawa .	5,269,733	12/1993	Anthony, III .
D. 410,830	* 6/1999	Pusateri et al. .... D8/61	5,377,769	1/1995	Hasuo et al. .
2,829,285	4/1958	Steiner et al. .	5,918,686	7/1999	Izumisawa .
3,352,368	11/1967	Maffey, Jr. .	6,062,323	* 5/2000	Pusateri et al. .... 173/169
3,605,914	9/1971	Kramer .			
3,661,217	5/1972	Maurer .			

\* cited by examiner

FIG. 1

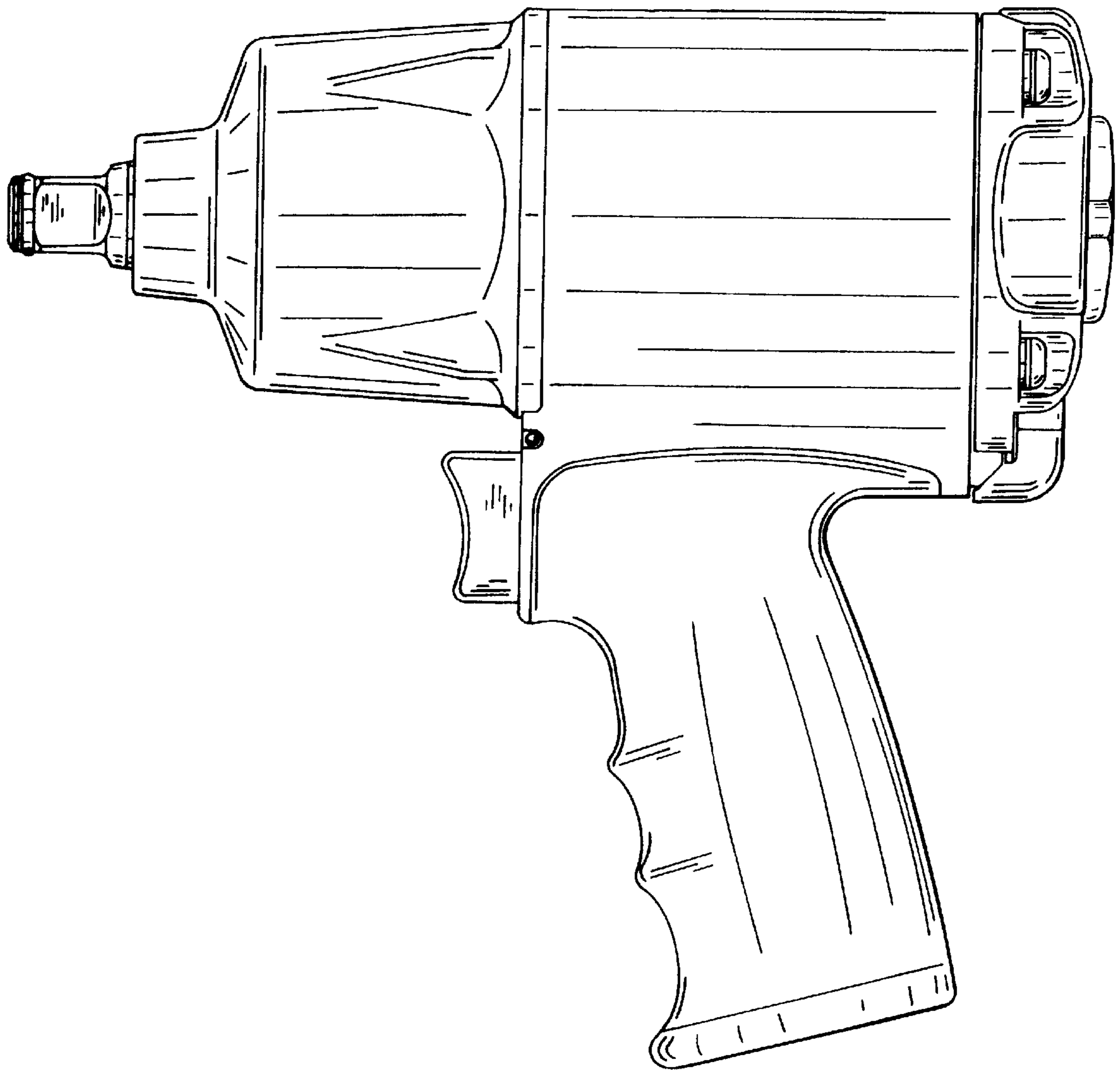


FIG. 2

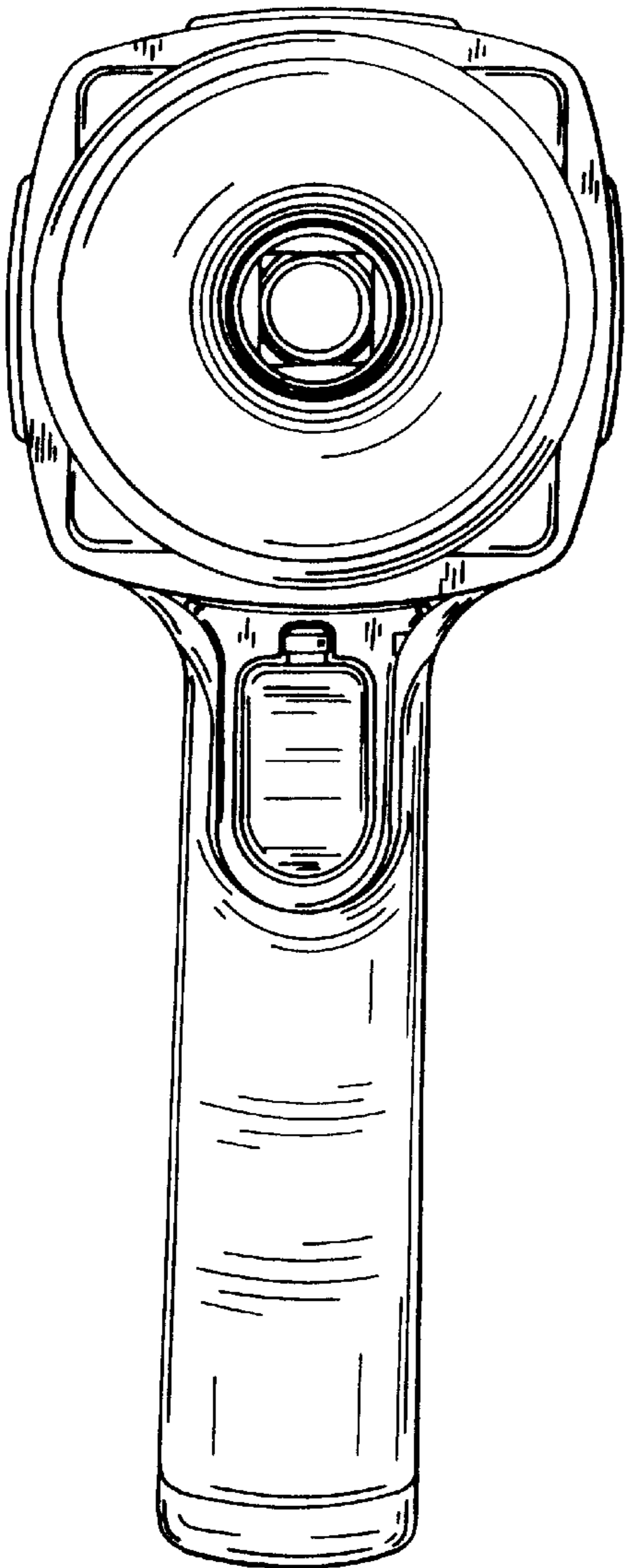


FIG. 3

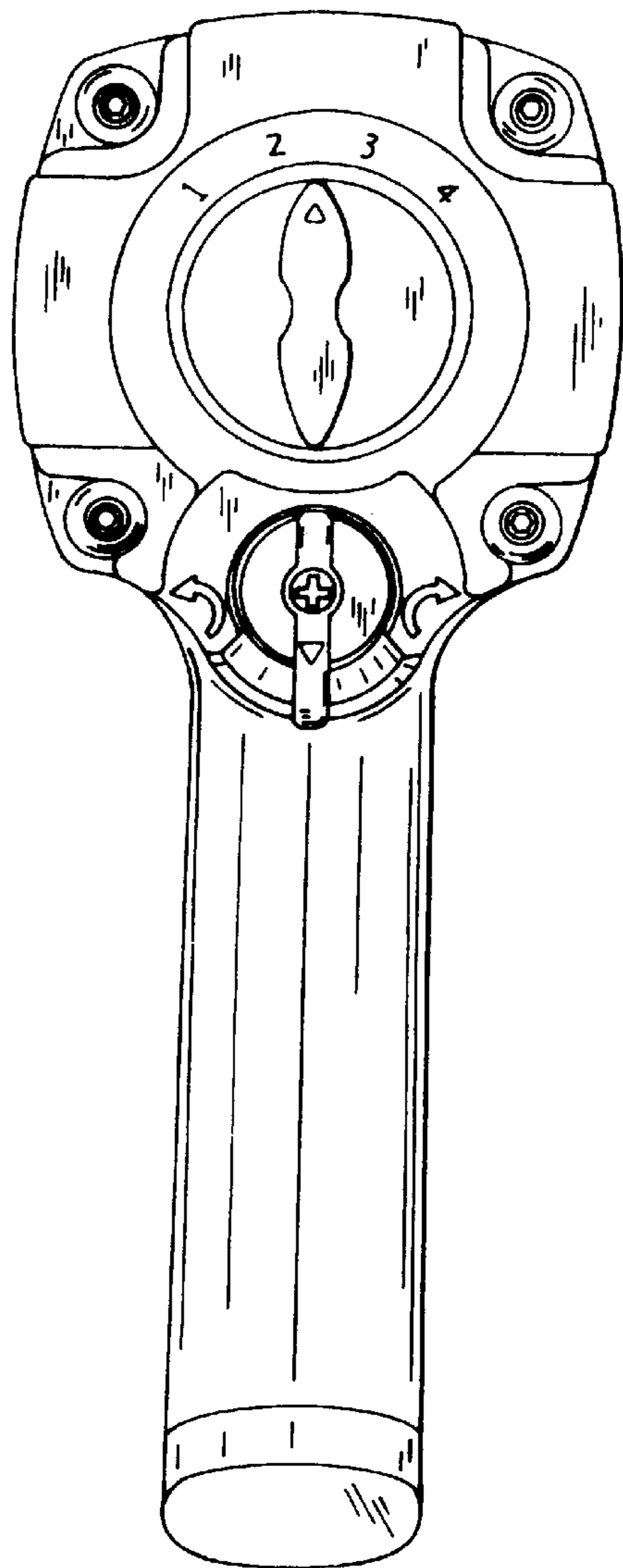


FIG. 4

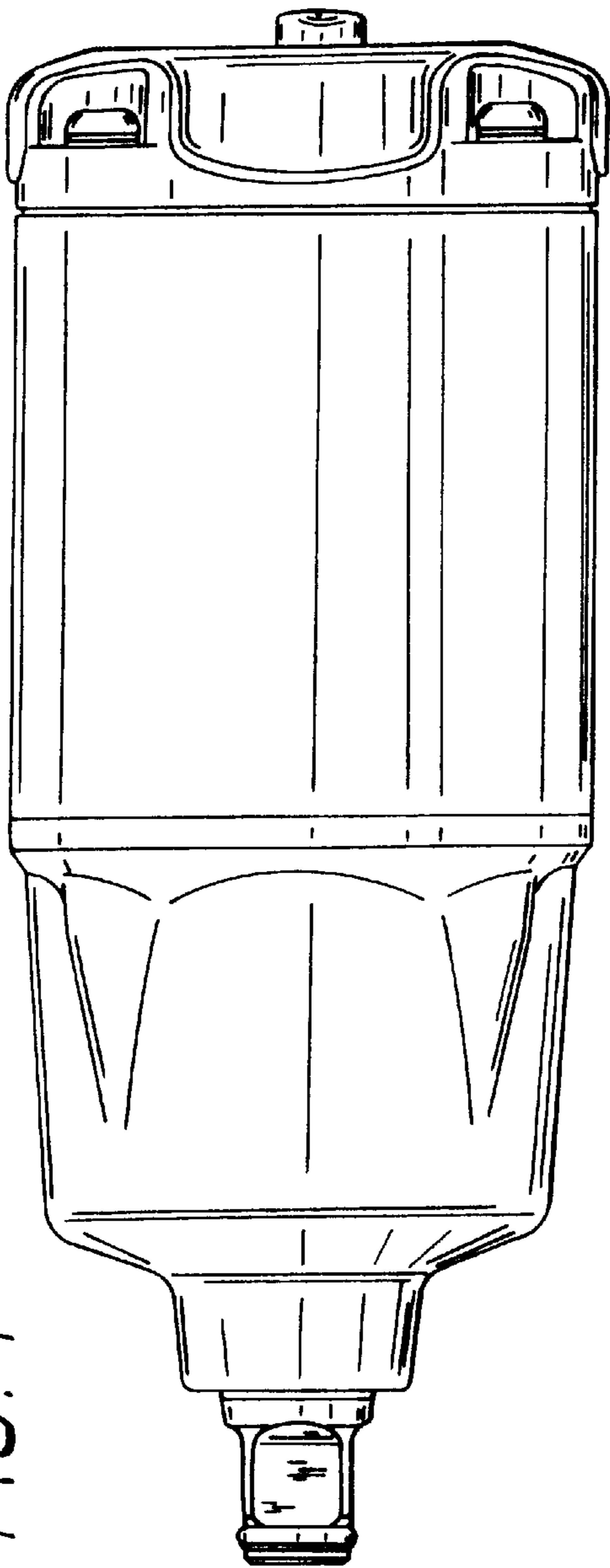


FIG. 5

