



US00D436817S

(12) **United States Design Patent**  
**Leu**

(10) **Patent No.:** **US D436,817 S**

(45) **Date of Patent:** **\*\* Jan. 30, 2001**

(54) **SANDER**

*Primary Examiner*—Antoine Duval Davis  
(74) *Attorney, Agent, or Firm*—Dougherty & Troxell

(76) **Inventor:** **Jiin-Feng Leu**, No. 13, Lane 3,  
Feng-Leh Rd., Taichung City (TW)

(\*\*) **Term:** **14 Years**

(57) **CLAIM**

The ornamental design for a sander, shown and described.

(21) **Appl. No.:** **29/120,291**

**DESCRIPTION**

(22) **Filed:** **Mar. 17, 2000**

(51) **LOC (7) Cl.** ..... **08-02**

(52) **U.S. Cl.** ..... **D8/62**

(58) **Field of Search** ..... D8/62; 451/344,  
451/355-359

FIG. 1 is a perspective view showing the rear, left side and top of my new design for a sander;

FIG. 2 is a left side view thereof;

FIG. 3 is a right side view thereof;

FIG. 4 is a front view thereof;

FIG. 5 is a rear view thereof;

FIG. 6 is a top view thereof; and,

FIG. 7 is a bottom view thereof.

(56) **References Cited**

**U.S. PATENT DOCUMENTS**

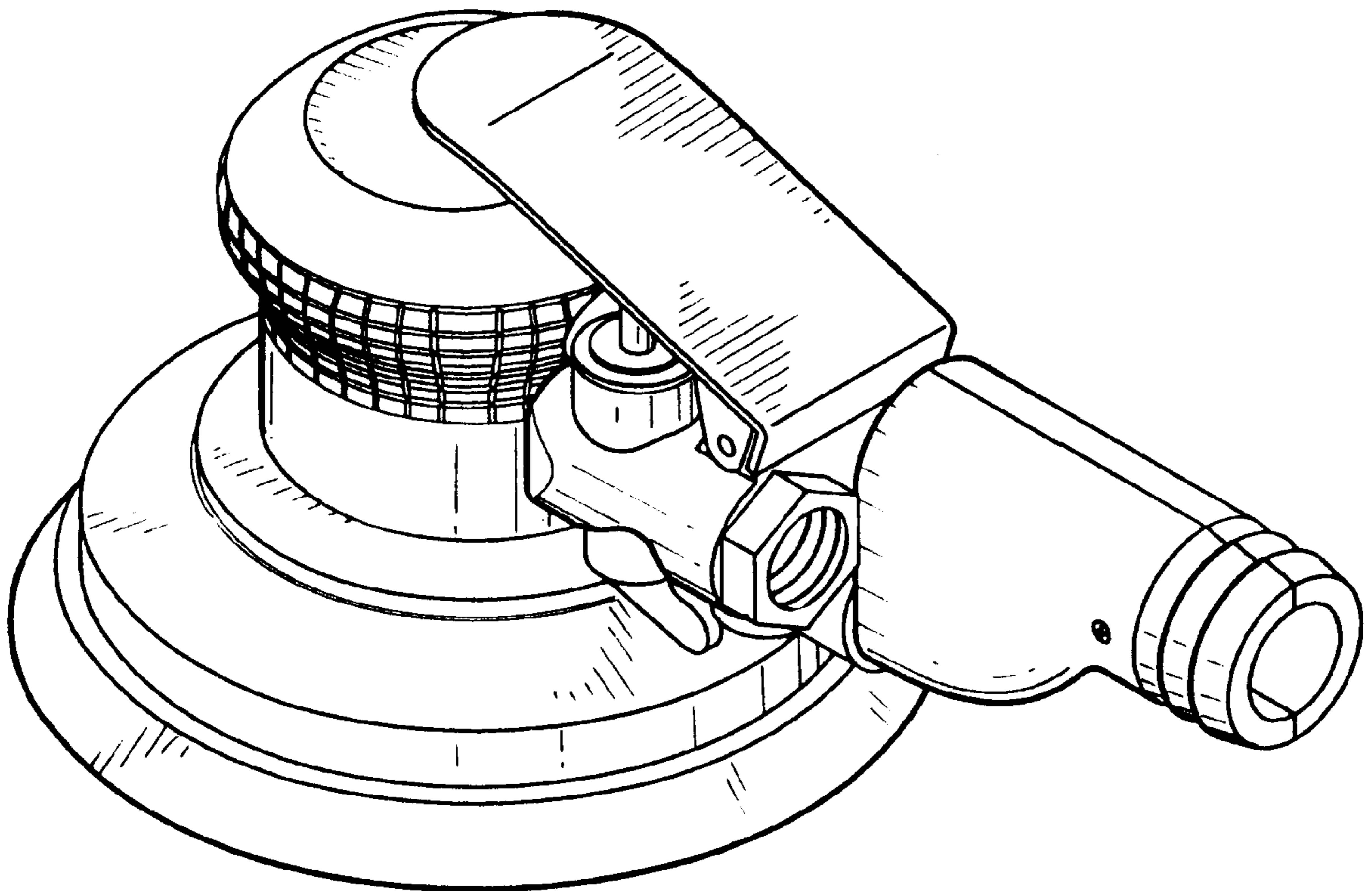
D. 353,984 \* 1/1995 Izumisawa ..... D8/62

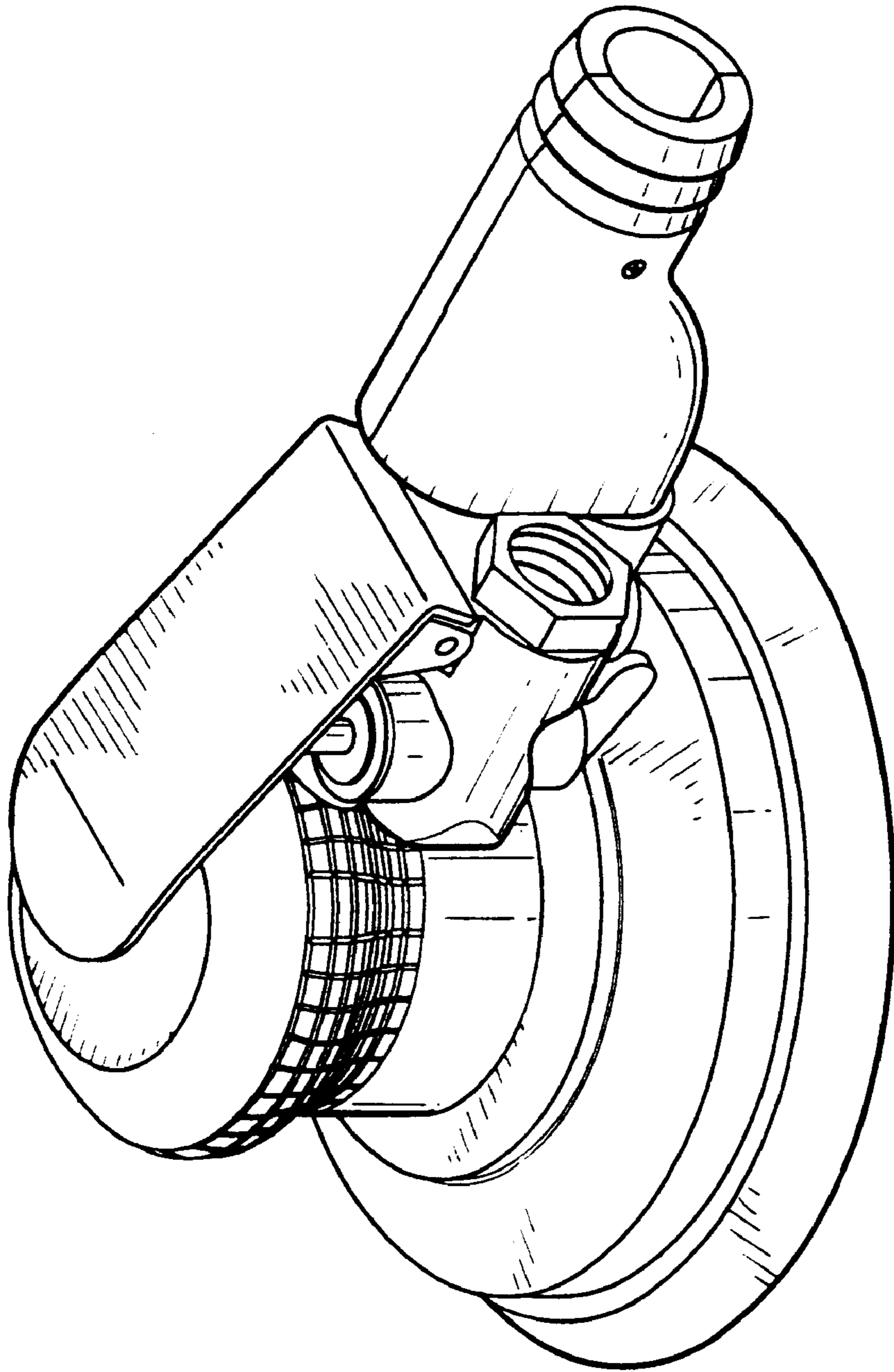
D. 357,163 \* 4/1995 Izumisawa ..... D8/62

6,004,197 \* 12/1999 Huber ..... 451/357 X

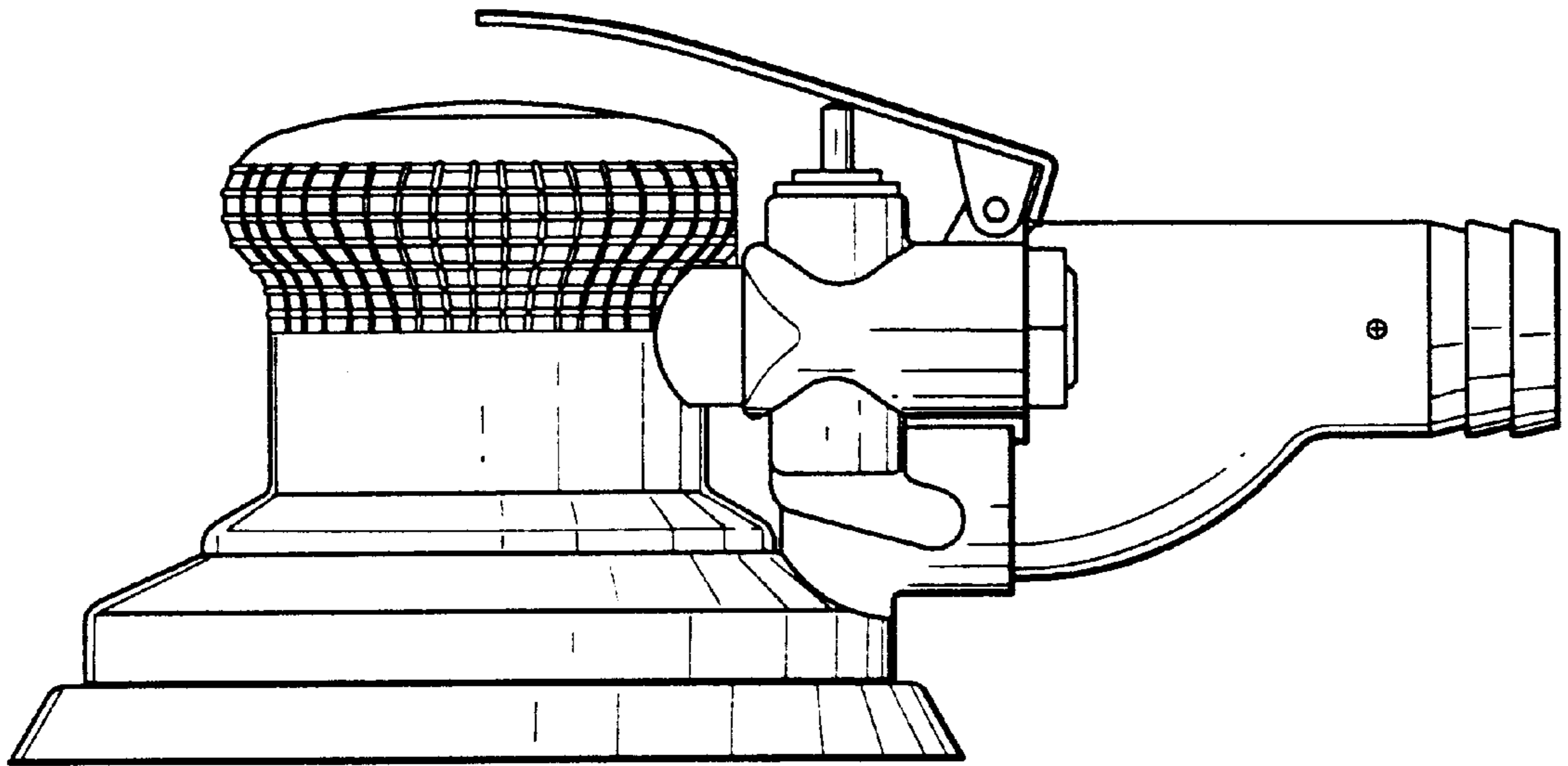
\* cited by examiner

**1 Claim, 4 Drawing Sheets**

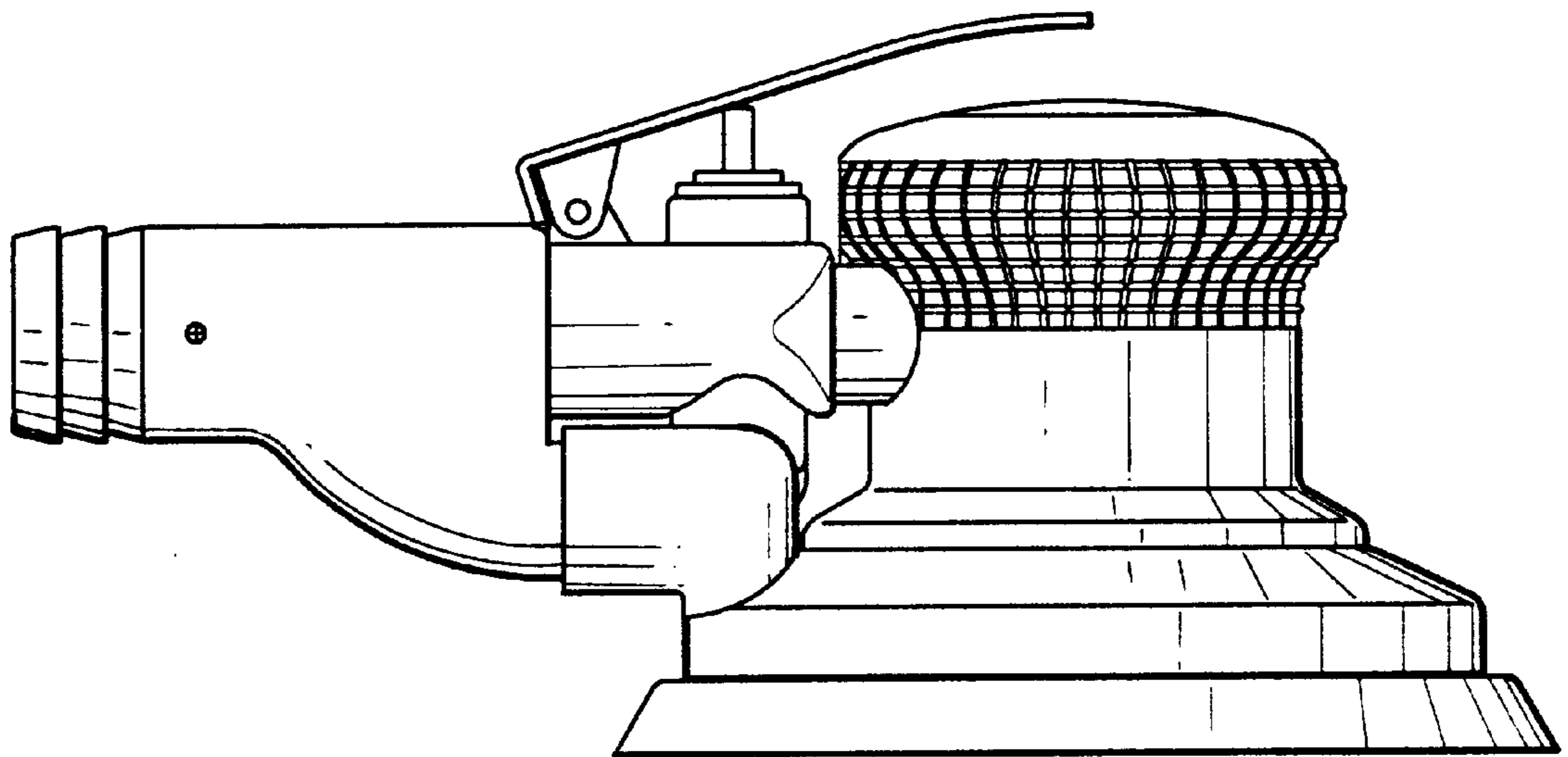




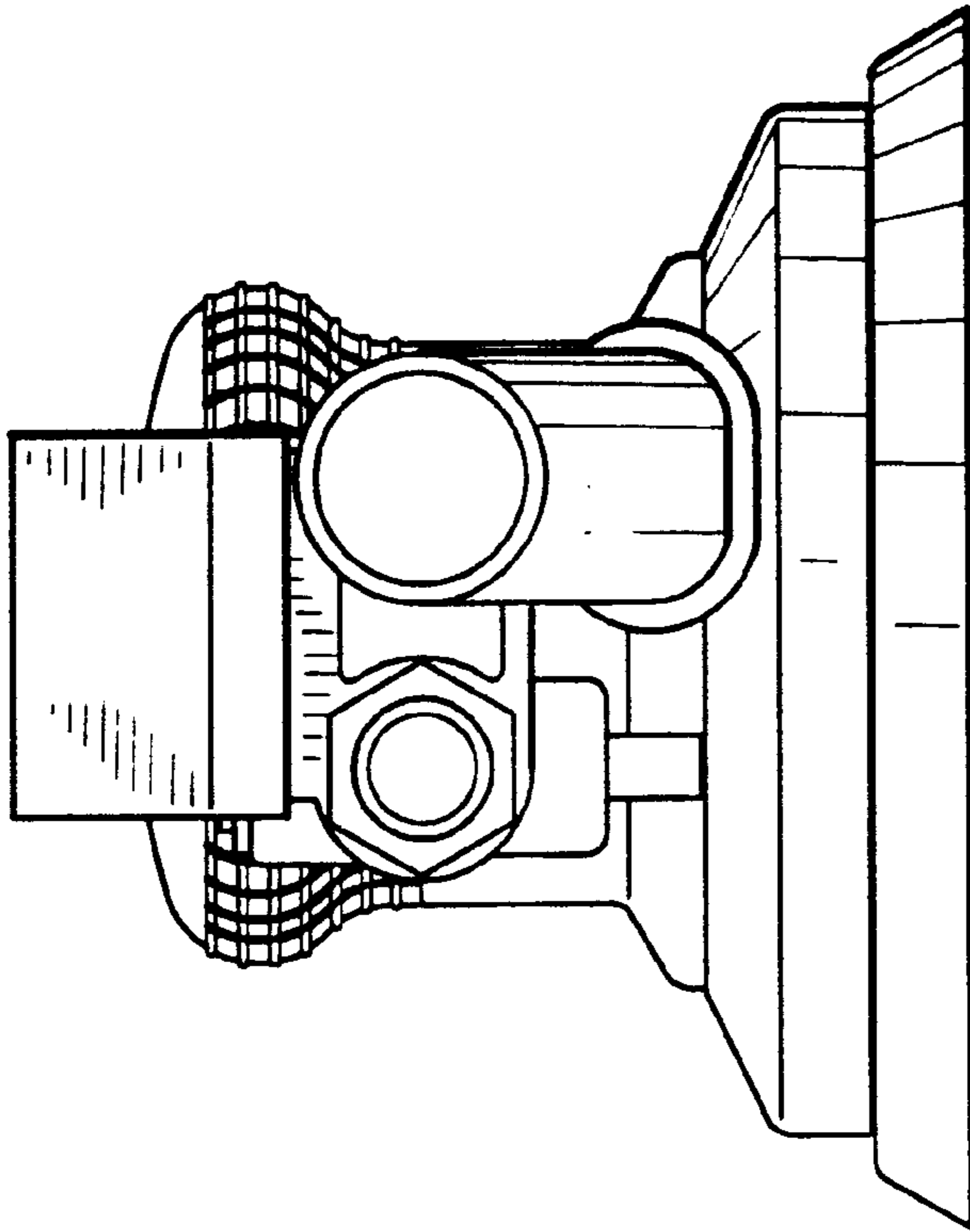
*FIG. 1*



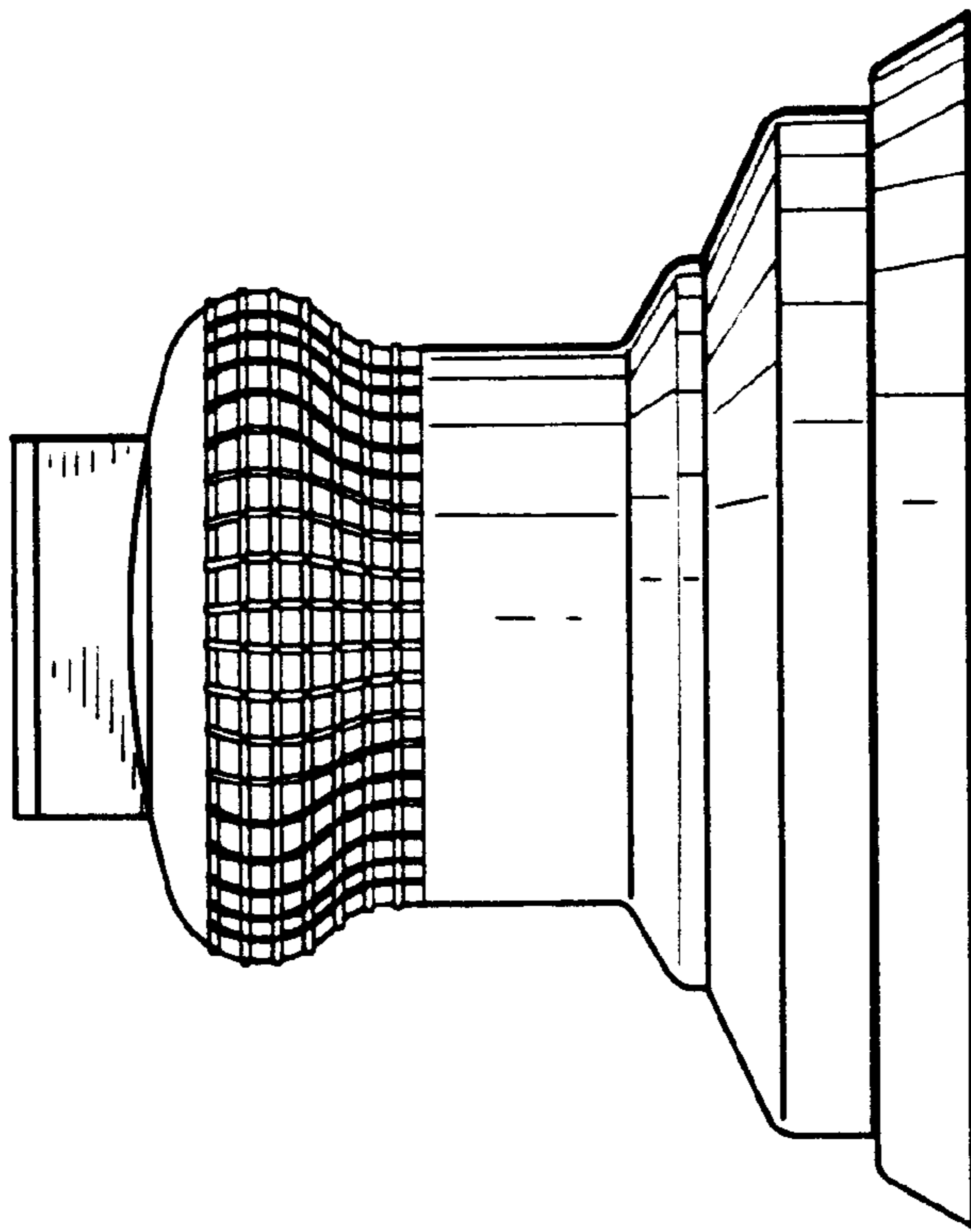
*FIG. 2*



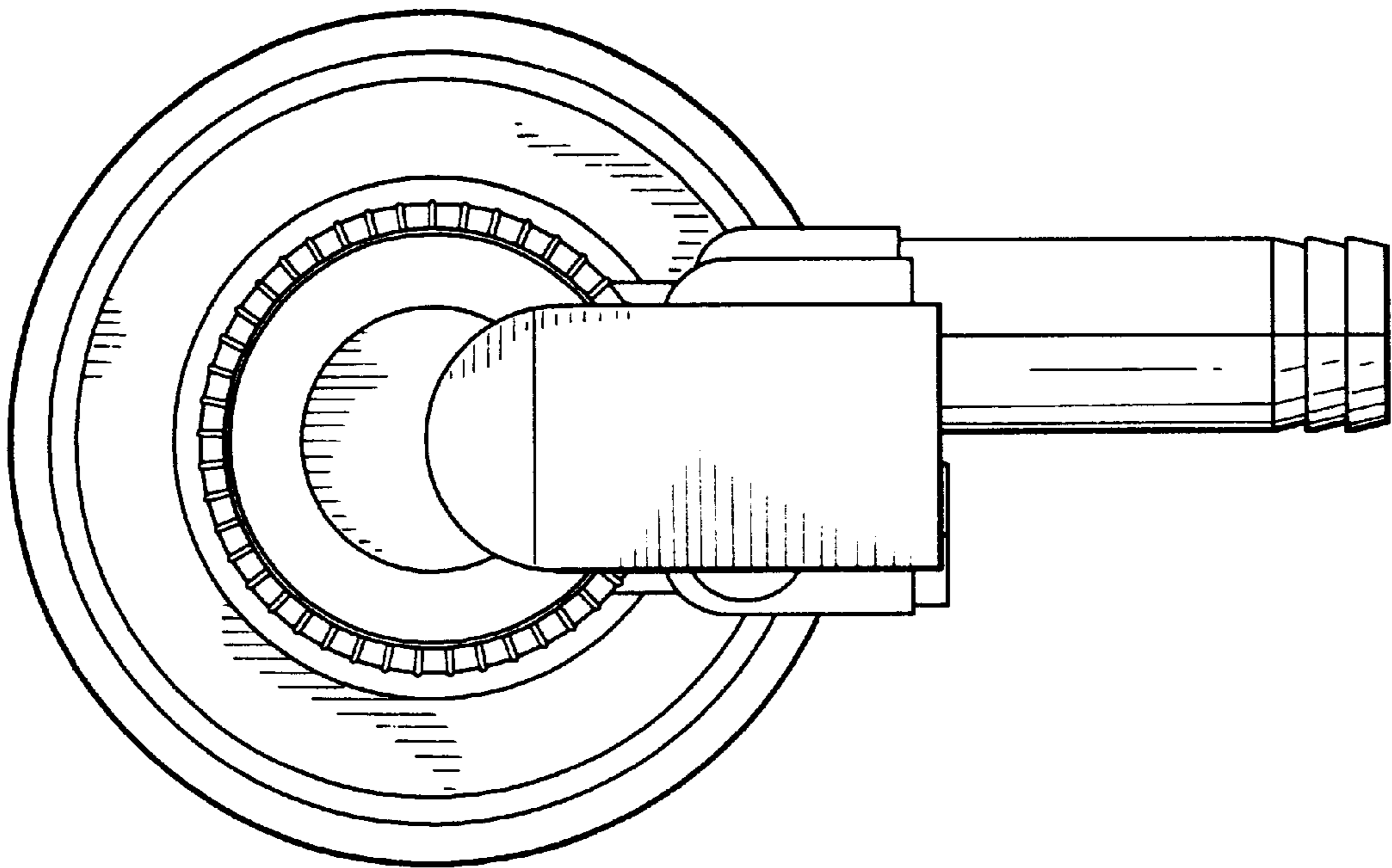
*FIG. 3*



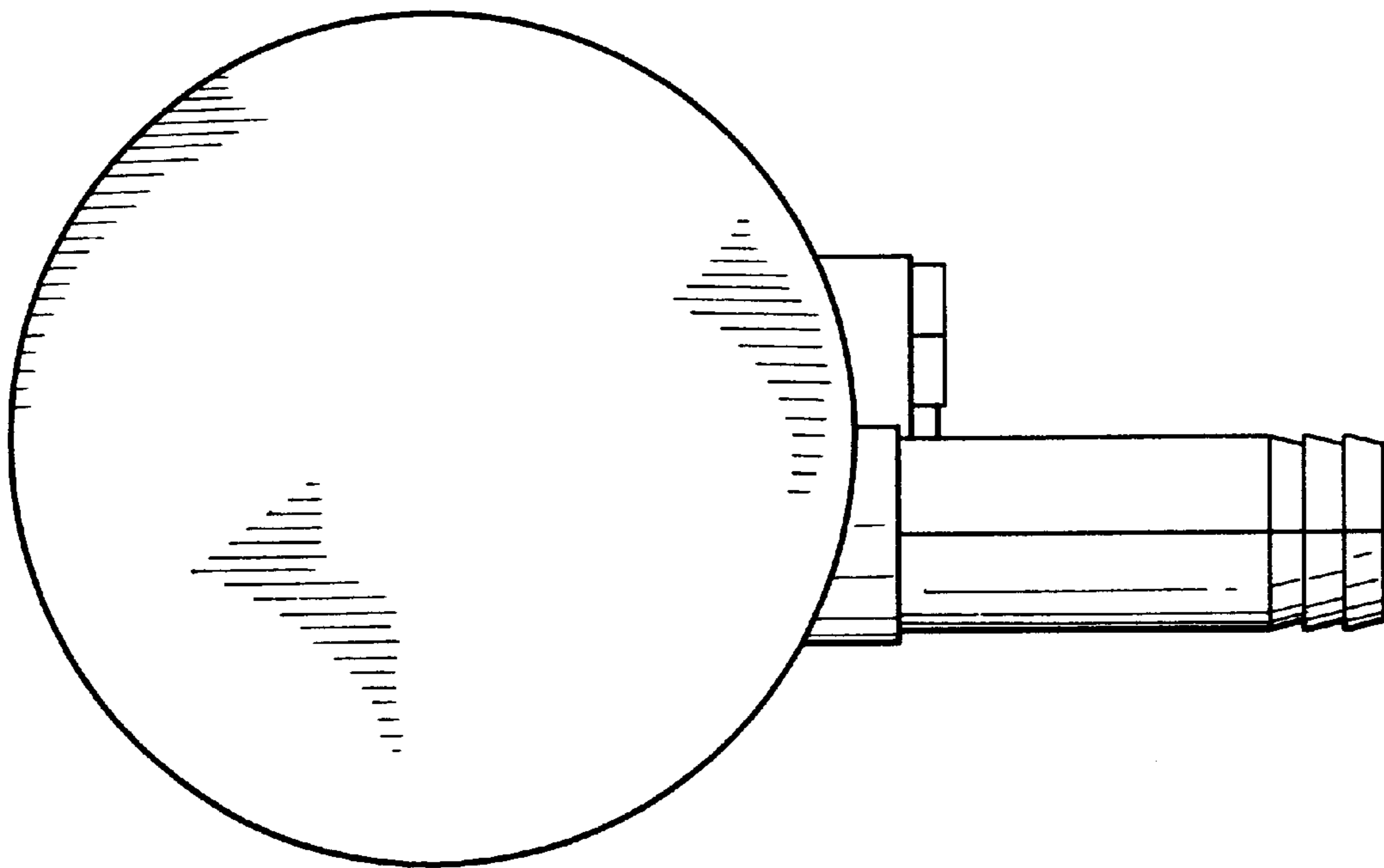
*FIG. 5*



*FIG. 4*



*FIG. 6*



*FIG. 7*