



US00D436815S

(12) **United States Design Patent**
Yang

(10) **Patent No.:** **US D436,815 S**

(45) **Date of Patent:** **** Jan. 30, 2001**

(54) **PIVOTAL COUPLING FOR A SHEAR DEVICE**

(76) **Inventor:** **Lisa Yang**, No. 38, Lane 188, Gong Yeh Road, Tsong Her Ysuen, Long Gin Hsiang, Taichung Hsien (TW), 434

(**) **Term:** **14 Years**

(21) **Appl. No.:** **29/118,734**

(22) **Filed:** **Feb. 15, 2000**

(51) **LOC (7) Cl.** **08-05**

(52) **U.S. Cl.** **D8/52**

(58) **Field of Search** D8/14, 51, 52, D8/58, 105; 30/92, 173, 175, 177, 186, 187, 191, 192, 193; 140/123, 123.6; 7/129, 130, 132, 133, 158

(56) **References Cited**

U.S. PATENT DOCUMENTS

1,914,025	*	6/1933	Keith	30/186
2,020,242	*	11/1935	Geddes	30/177
4,910,870	*	3/1990	Chang	30/192
5,898,998	*	5/1999	Deville	30/193

* cited by examiner

Primary Examiner—Alan P. Douglas

Assistant Examiner—Reid Hecker

(74) *Attorney, Agent, or Firm*—Charles E. Baxley

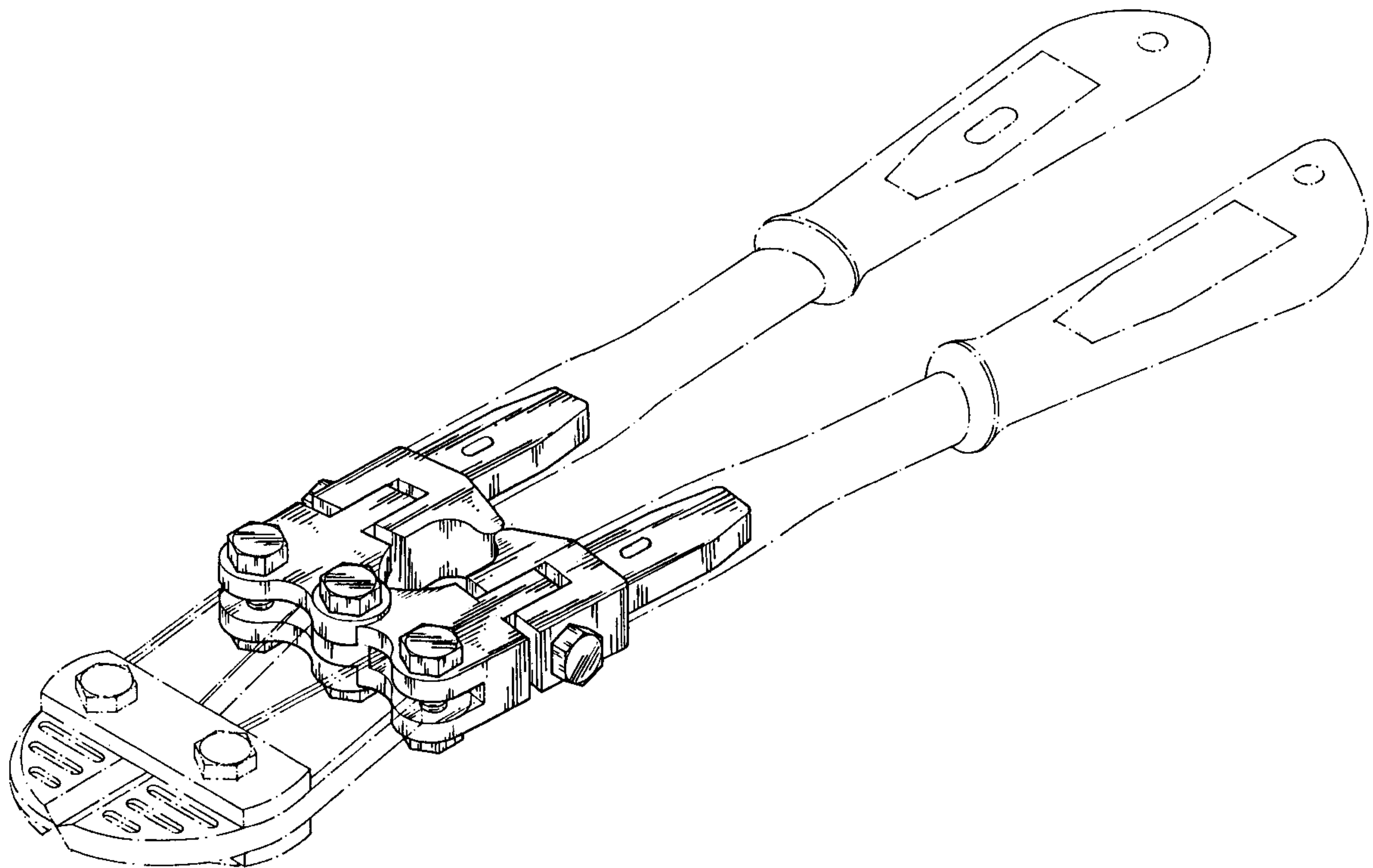
(57) **CLAIM**

The ornamental design for a pivotal coupling for a shear device, as shown and described.

DESCRIPTION

FIG. 1 is a perspective view of a pivotal coupling for a shear device showing my new design, the handles and the jaws depicted by means of broken lines being for illustrative purposes only and forming no part of the claimed design; FIG. 2 is a front elevational view, the opposite end being identical in appearance, the handles and the jaws depicted by means of broken lines being for illustrative purposes only and forming no part of the claimed design; FIG. 3 is a top plan view thereof, the handles and the jaws depicted by means of broken lines being for illustrative purposes only and forming no part of the claimed design; FIG. 4 is a bottom plan view thereof, the handles and the jaws depicted by means of broken lines being for illustrative purposes only and forming no part of the claimed design; FIG. 5 is a left side elevational view thereof; and, FIG. 6 is a right side elevational view thereof.

1 Claim, 3 Drawing Sheets



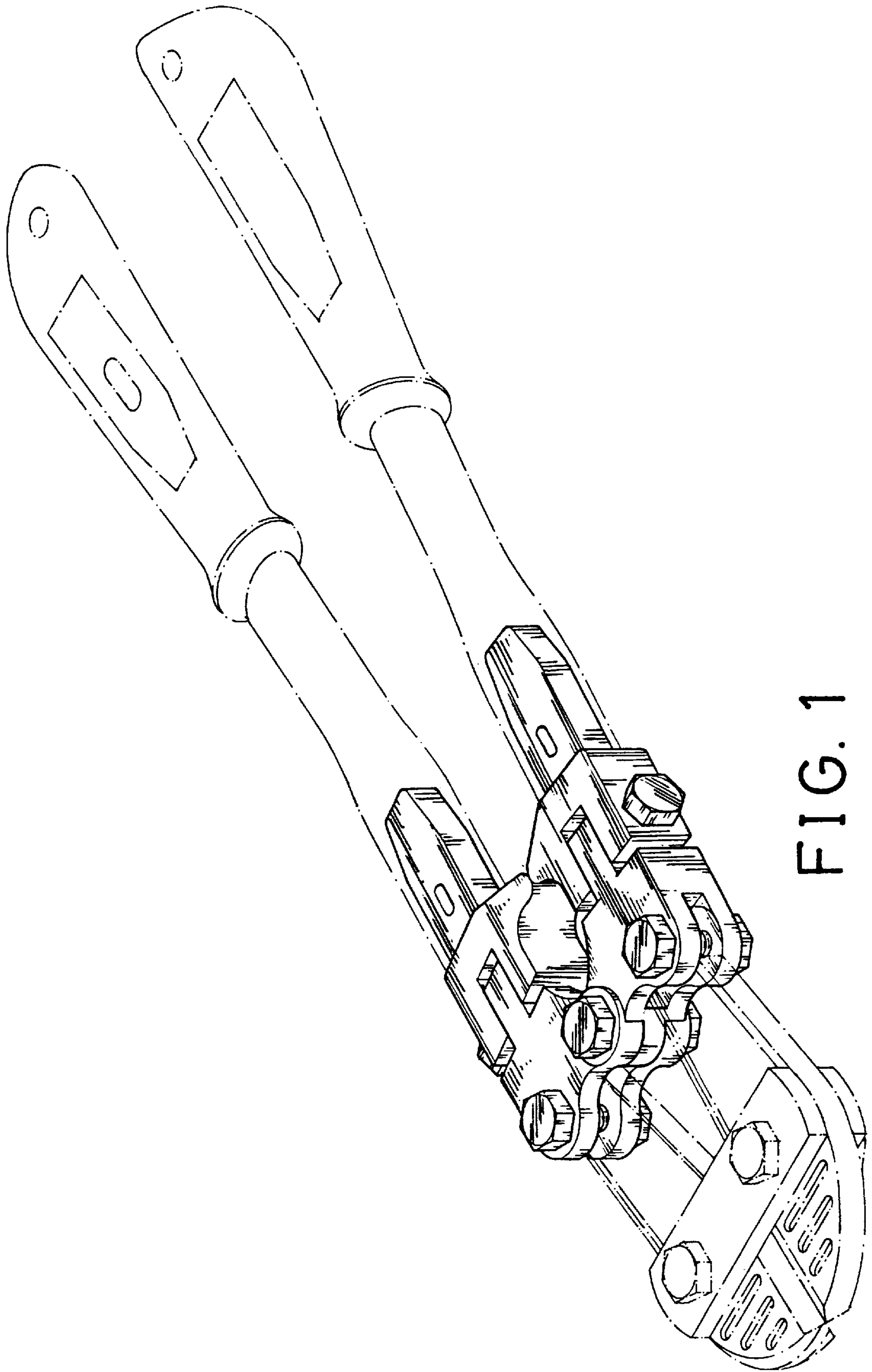


FIG. 1

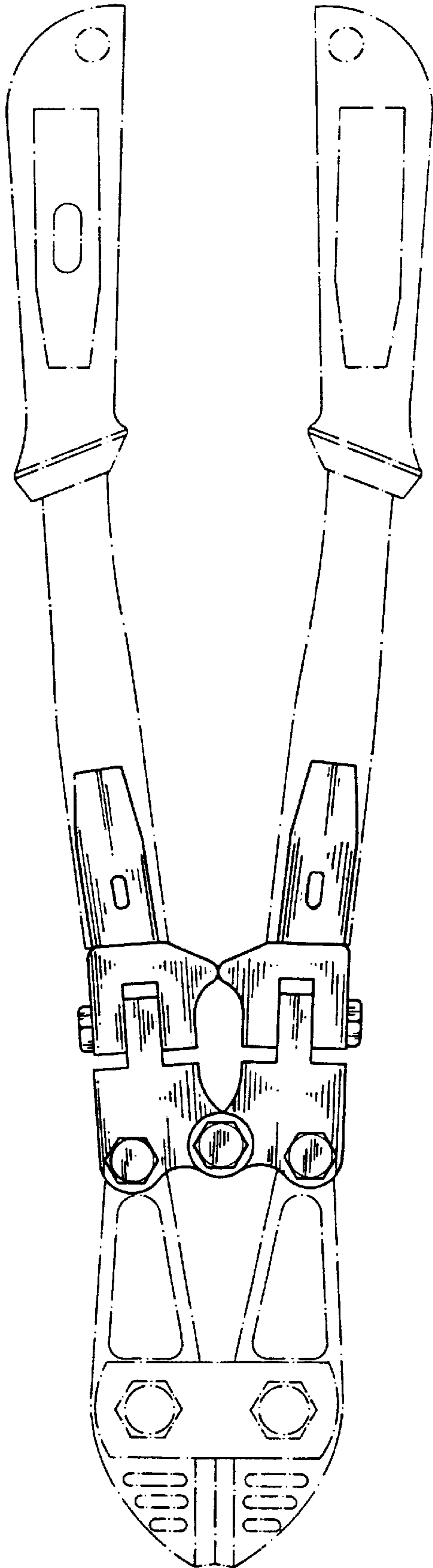


FIG. 3

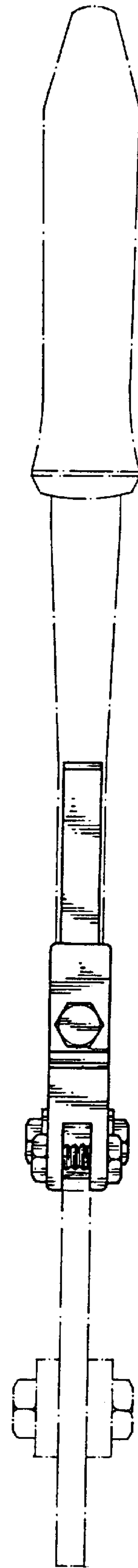


FIG. 2

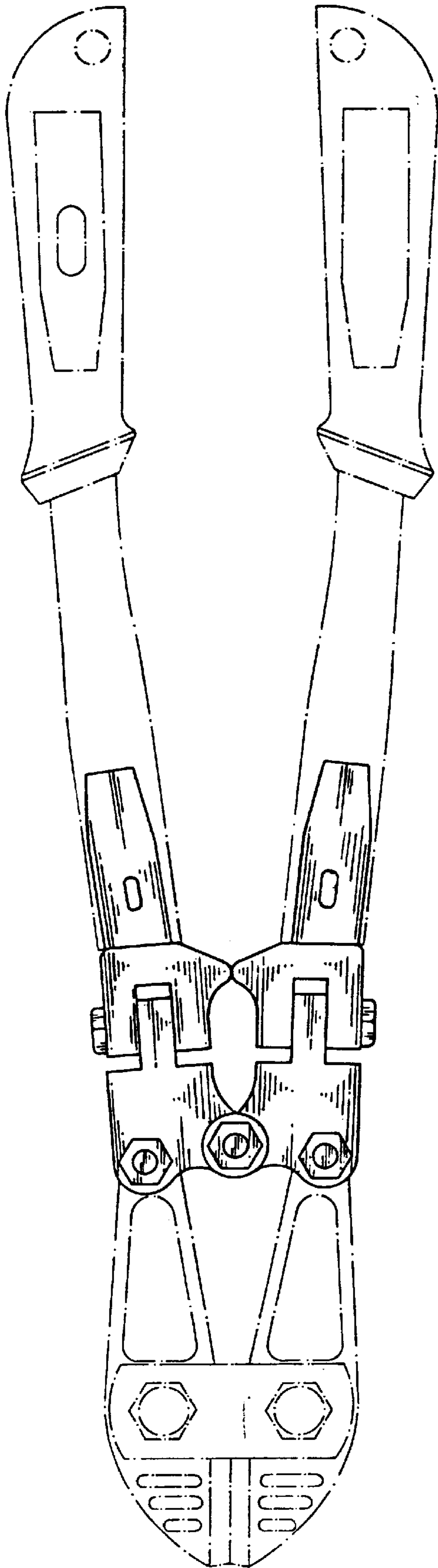


FIG. 4

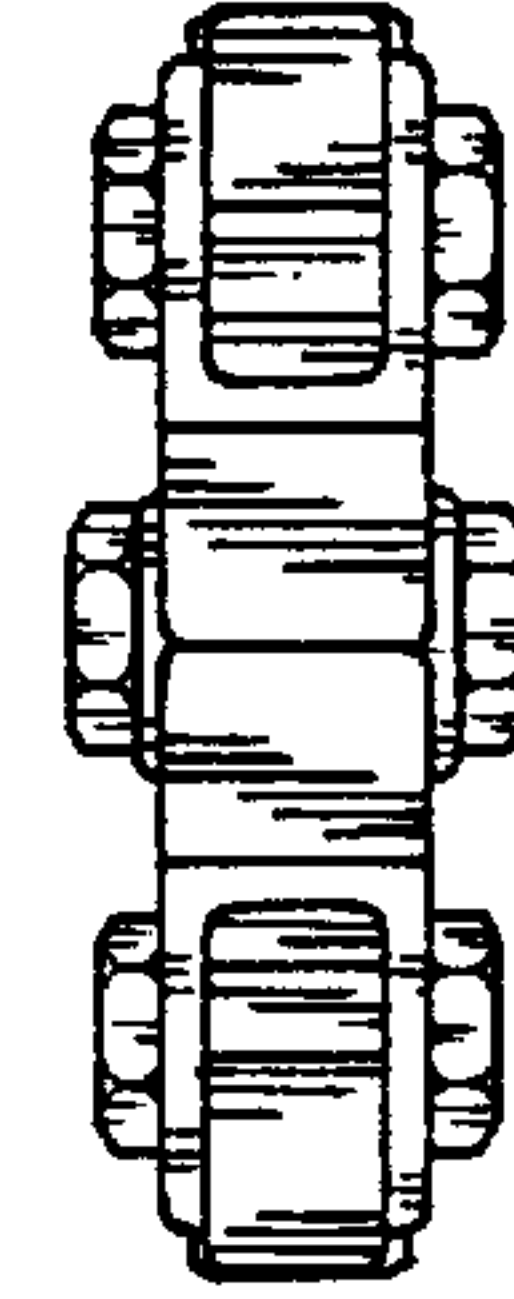


FIG. 6

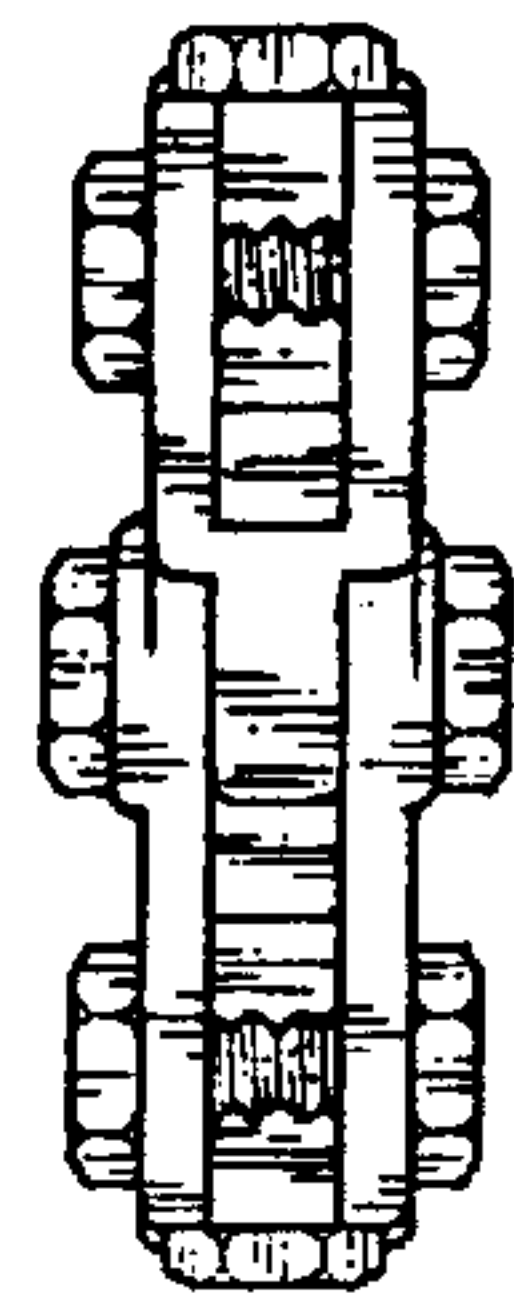


FIG. 5