



US00D436814S

(12) **United States Design Patent**  
**Gore**

(10) **Patent No.:** **US D436,814 S**

(45) **Date of Patent:** **\*\* Jan. 30, 2001**

(54) **HOSE CLAMP TOOL**

(76) **Inventor:** **David Timothy Gore**, 5904 Count Tuff Dr., Louisville, KY (US) 40272

(\*\*) **Term:** **14 Years**

(21) **Appl. No.:** **29/117,134**

(22) **Filed:** **Jan. 18, 2000**

(51) **LOC (7) Cl.** ..... **08-05**

(52) **U.S. Cl.** ..... **D8/51; D8/72**

(58) **Field of Search** ..... D8/14, 51, 71,  
D8/72, 73, 82; 81/9.3, 44, 429, 450, 452,  
462

(56) **References Cited**

**U.S. PATENT DOCUMENTS**

D. 348,816 \* 7/1994 Degen ..... D8/73

D. 409,062 \* 5/1999 Braley ..... D8/82

\* cited by examiner

*Primary Examiner*—Alan P. Douglas

*Assistant Examiner*—Reid Hecker

(74) *Attorney, Agent, or Firm*—Carrithers Law Office;  
David W. Carrithers

(57) **CLAIM**

The ornamental design for a hose clamp tool, as shown and described.

**DESCRIPTION**

FIG. 1 is a perspective view of a hose clamp tool in accordance with my design;

FIG. 2 is a left side perspective view thereof;

FIG. 3 is a right view thereof;

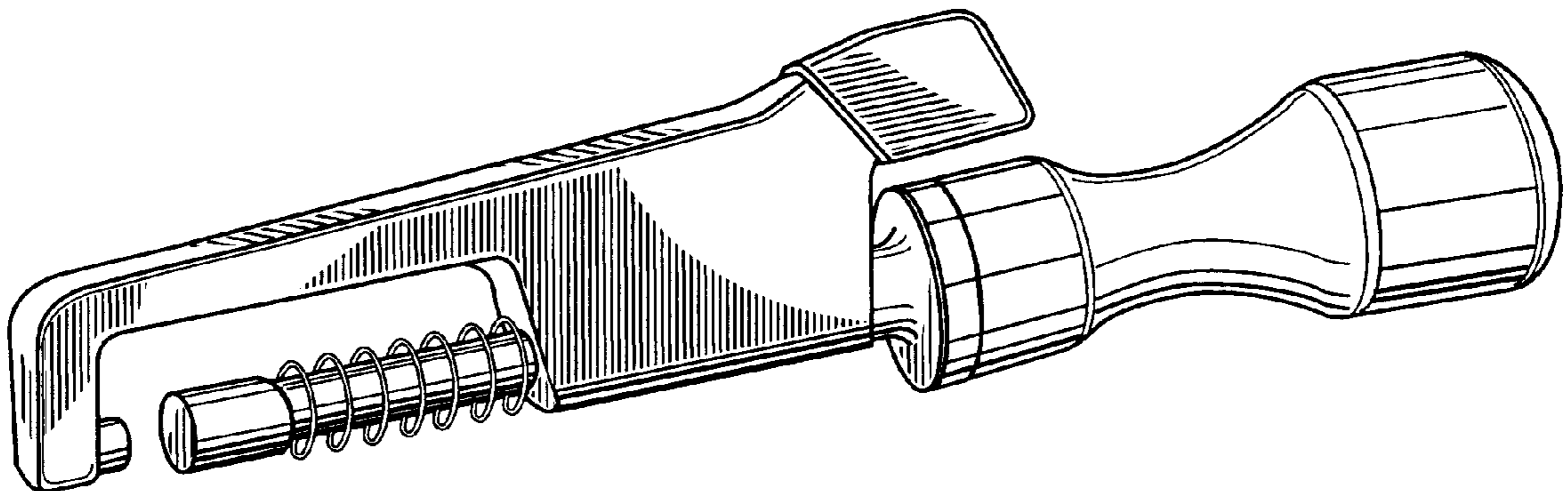
FIG. 4 is a top plan view, thereof;

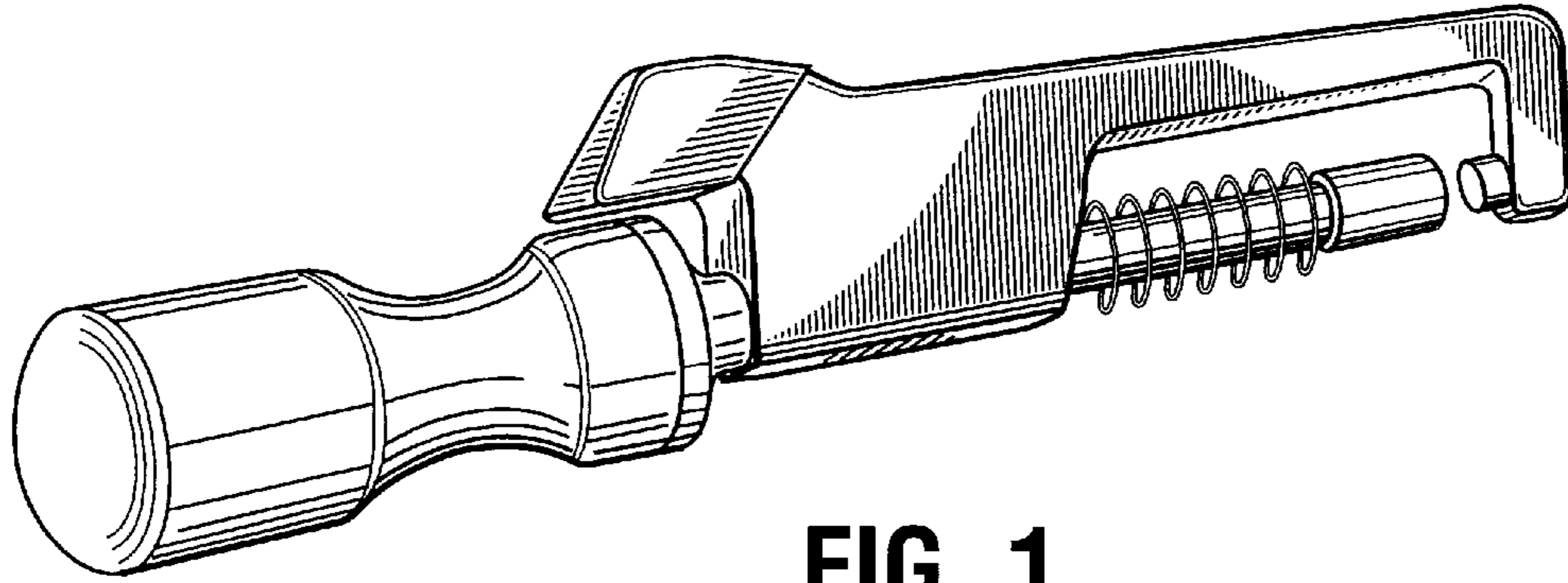
FIG. 5 is a bottom plan view, thereof;

FIG. 6 is a front view, thereof; and,

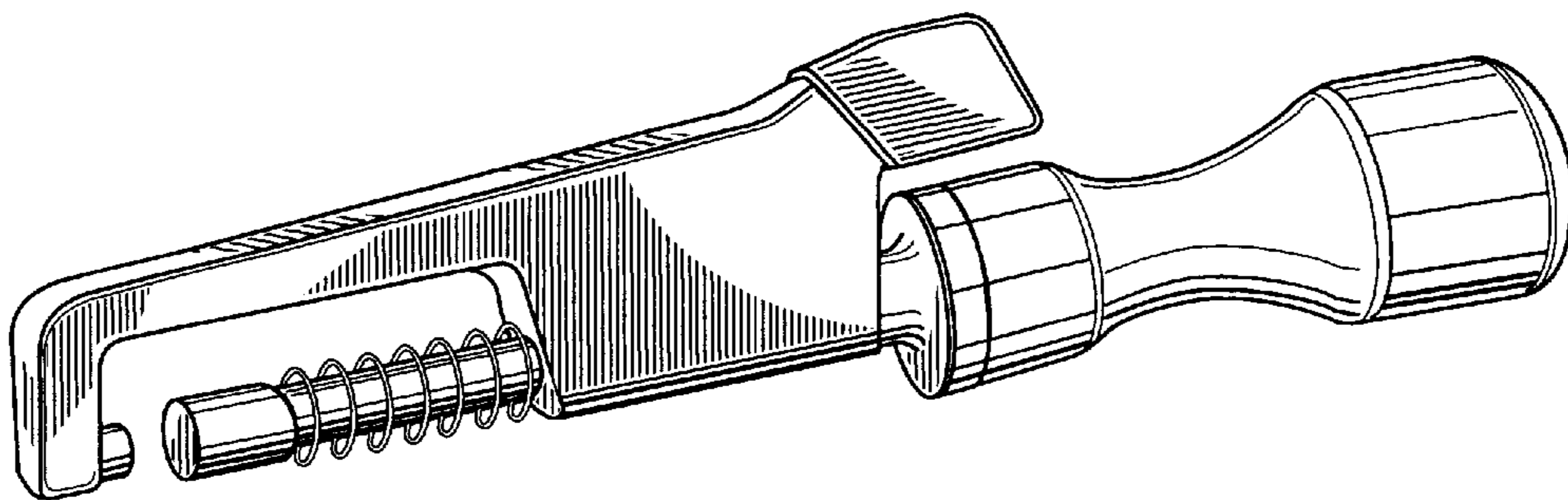
FIG. 7 is a rear view thereof.

**1 Claim, 2 Drawing Sheets**

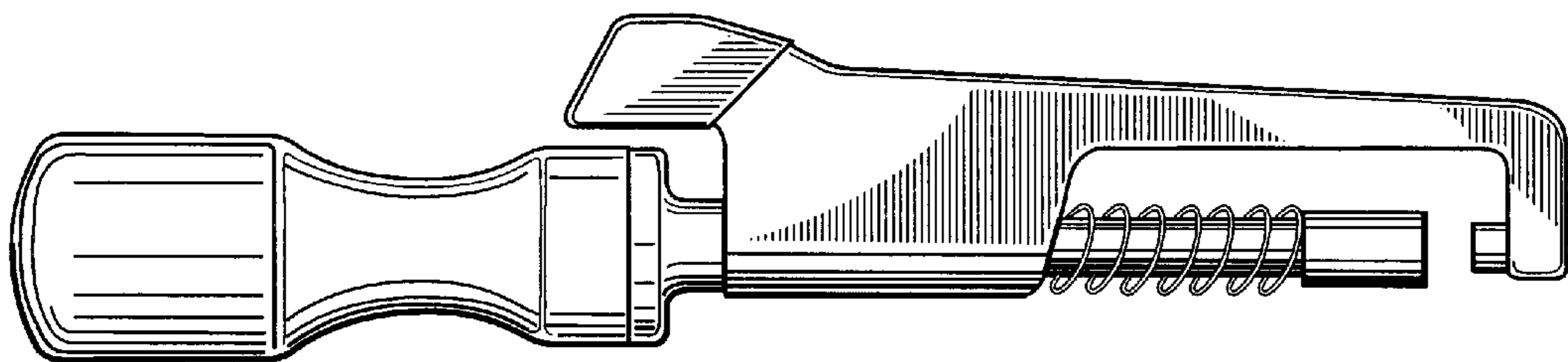




**FIG. 1**



**FIG. 2**



**FIG. 3**

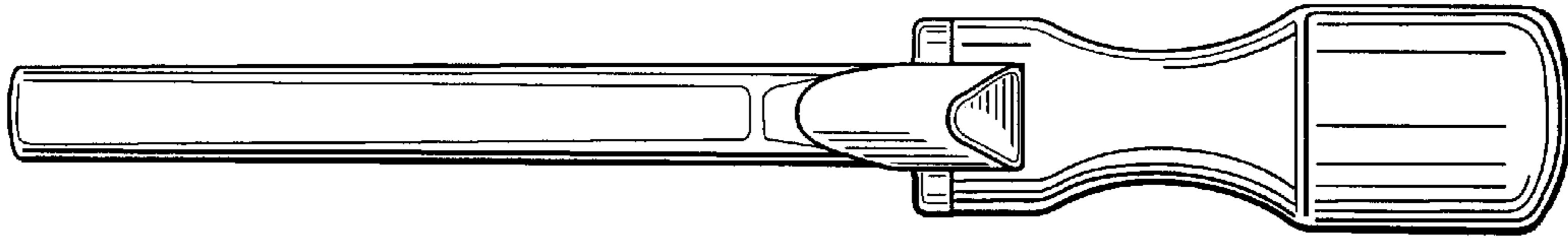


FIG. 4

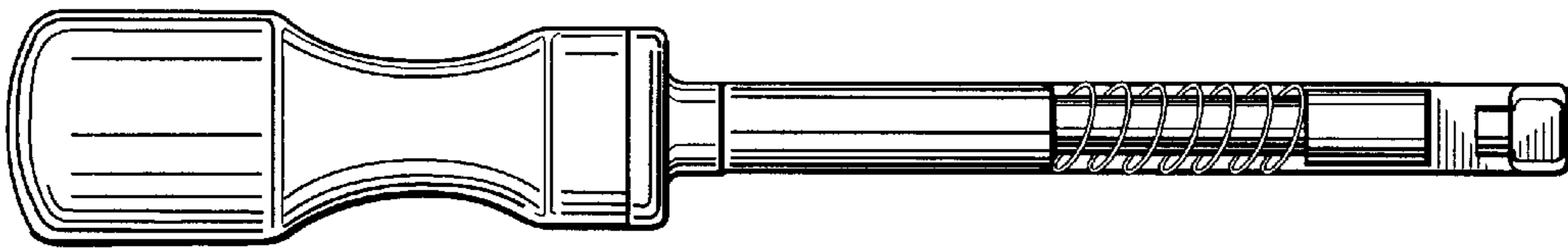


FIG. 5

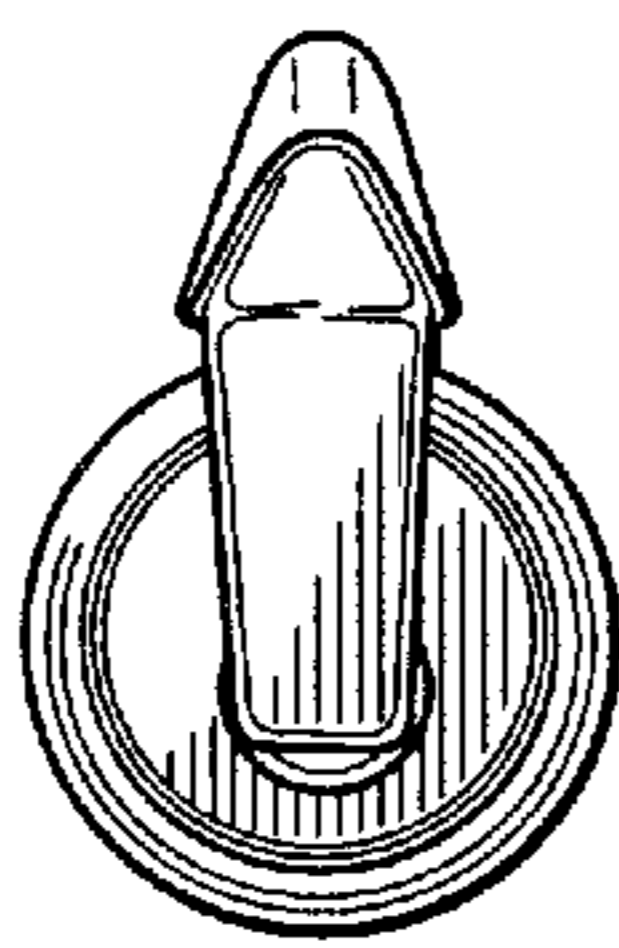


FIG. 6

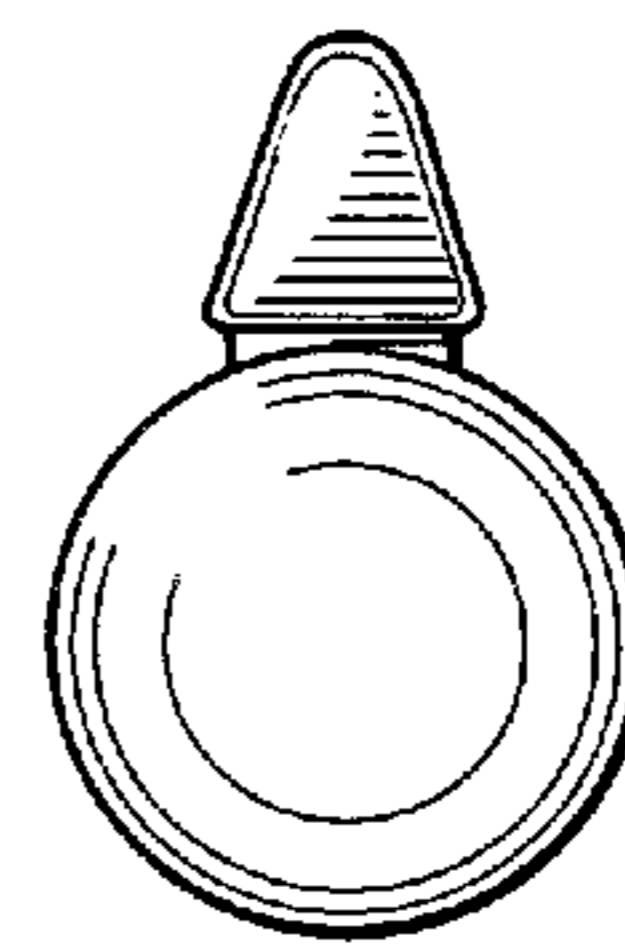


FIG. 7