



US00D436813S

(12) **United States Design Patent**
Kobayashi et al.

(10) **Patent No.:** **US D436,813 S**

(45) **Date of Patent:** **** Jan. 30, 2001**

(54) **MONKEY WRENCH**

5,852,960 * 12/1998 Wu 81/177.1 X

(75) Inventors: **Masatoshi Kobayashi; Junichi Nomizu**, both of Niigata Pref. (JP)

* cited by examiner

Primary Examiner—Richelle Shelton

(73) Assignees: **Maruto Hasegawa Kosakujo, Inc.**, Niigata Pref. (JP); **Deamark Limited**, Taipei (TW)

(74) *Attorney, Agent, or Firm*—Jordan and Hamburg LLP

(**) Term: **14 Years**

(57) **CLAIM**

The ornamental design for a monkey wrench, as shown and described.

(21) Appl. No.: **29/097,391**

DESCRIPTION

(22) Filed: **Dec. 4, 1998**

FIG. 1 is a front elevational view of a monkey wrench showing our new design;

(51) **LOC (7) Cl.** **08-05**

FIG. 2 is a rear view thereof;

(52) **U.S. Cl.** **D8/22**

FIG. 3 is a left side elevational view thereof;

(58) **Field of Search** D8/21-29, 107;
81/126, 165-167, 170, 177.1

FIG. 4 is a right side elevational view thereof;

FIG. 5 is a top plan view thereof;

FIG. 6 is a bottom plan view thereof;

(56) **References Cited**

U.S. PATENT DOCUMENTS

- D. 393,776 * 4/1998 Kessler D8/107 X
- 1,378,209 * 5/1921 Bergman 81/165
- 2,913,942 * 11/1959 Rozmus 81/165
- 4,753,141 * 6/1988 Hamrick et al. 81/166

FIG. 7 is a sectional view taken along the line 7—7 in FIG. 1;

FIG. 8 is a sectional view taken along the line 8—8 in FIG. 1; and,

FIG. 9 is a sectional view taken along the line 9—9 in FIG. 1.

1 Claim, 5 Drawing Sheets

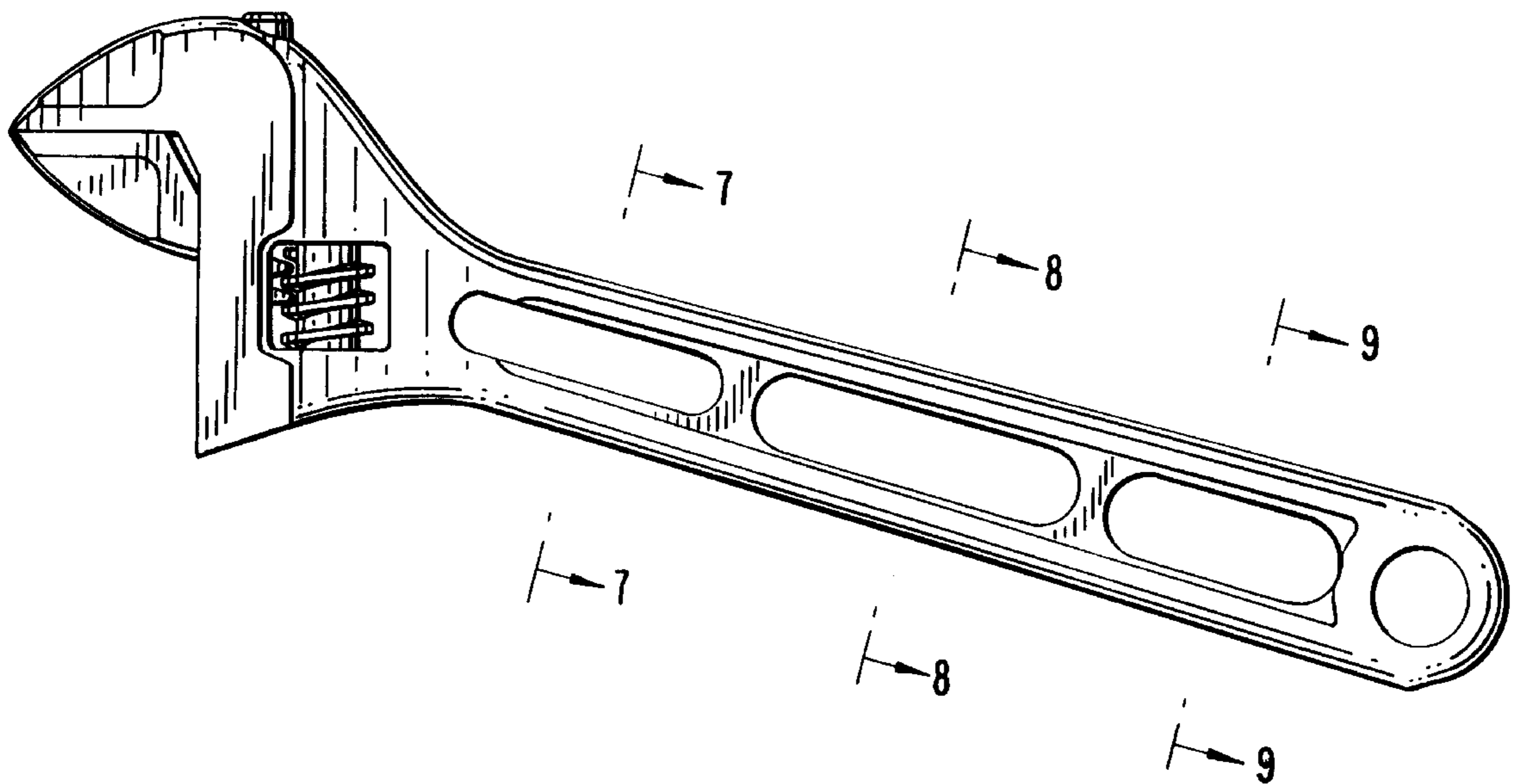
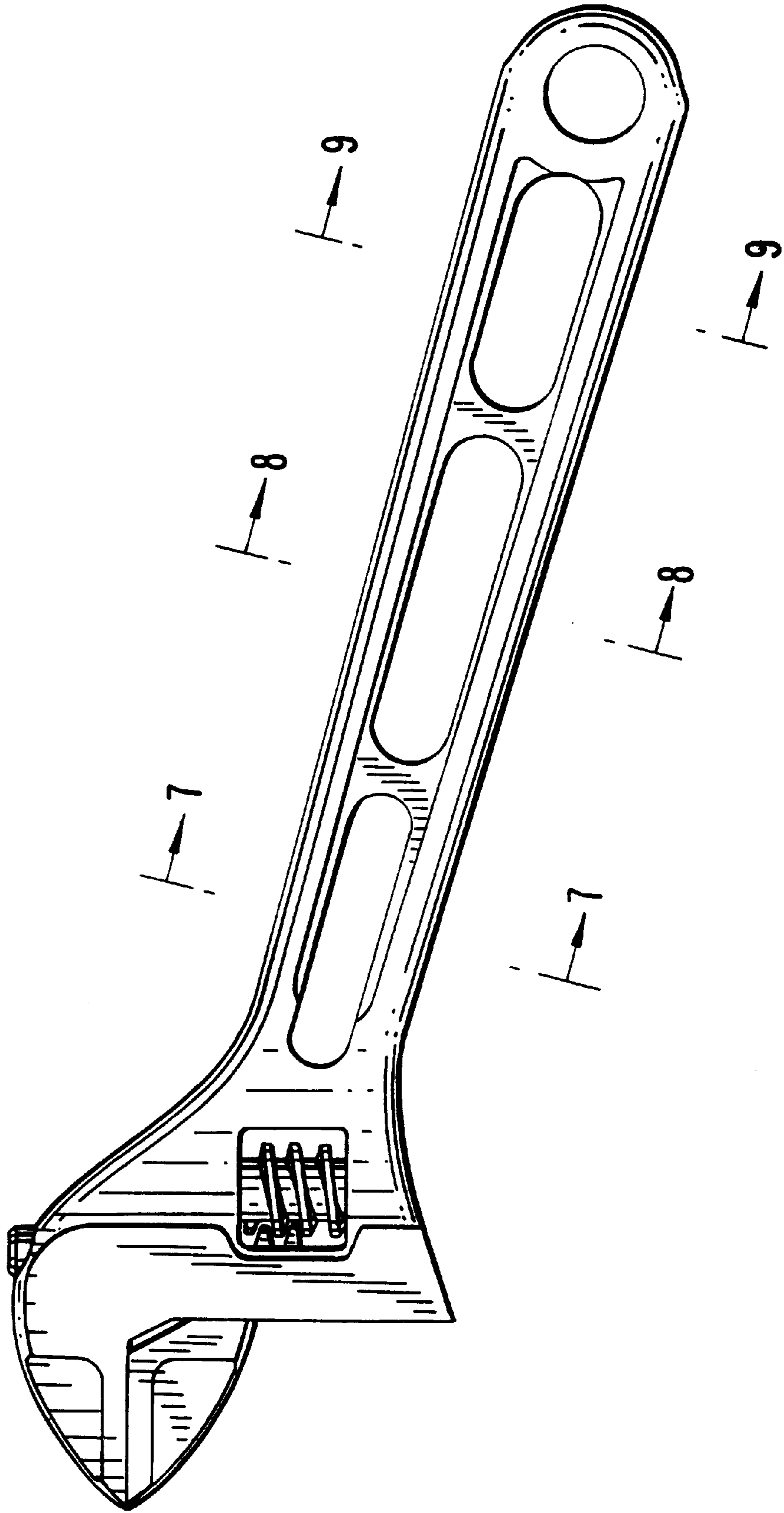


FIG. 1



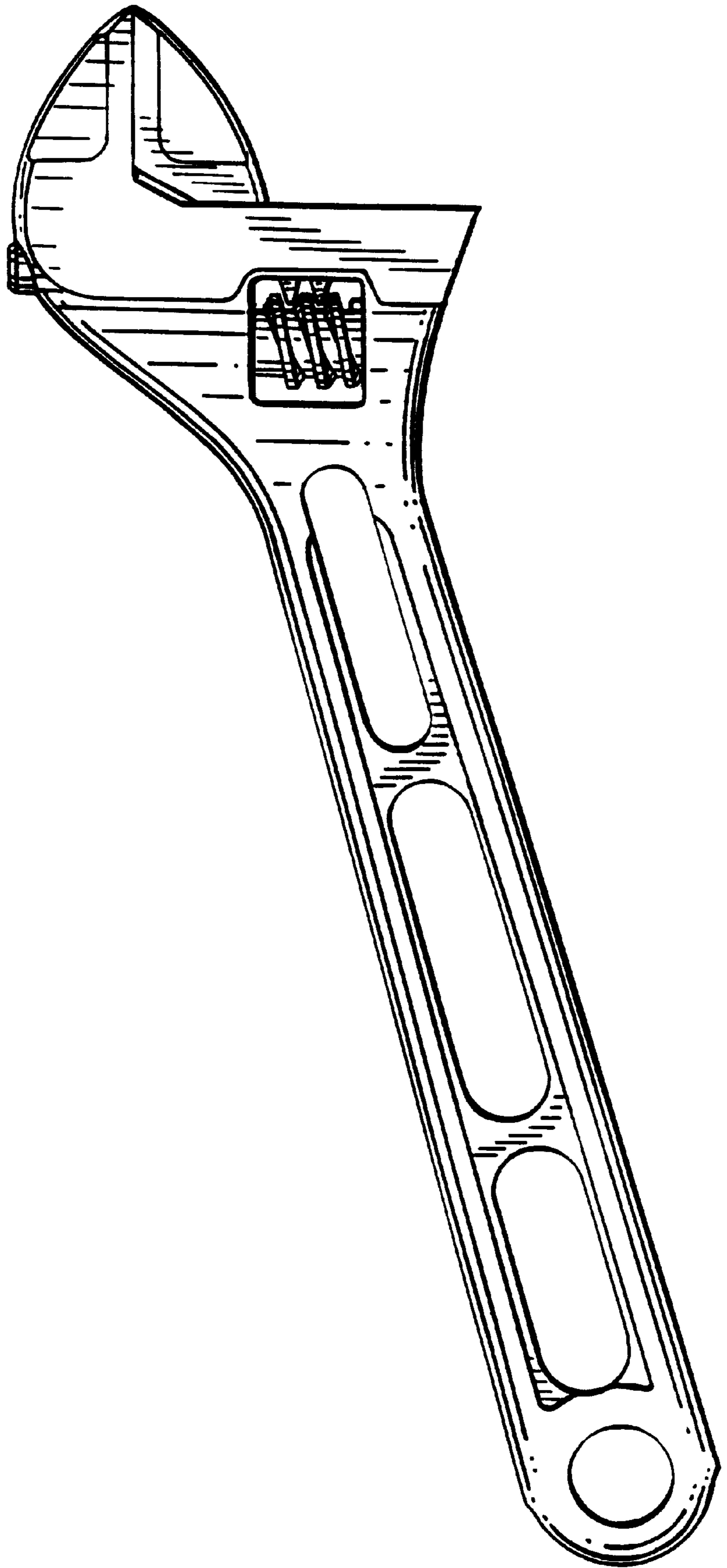


FIG. 2

FIG. 4

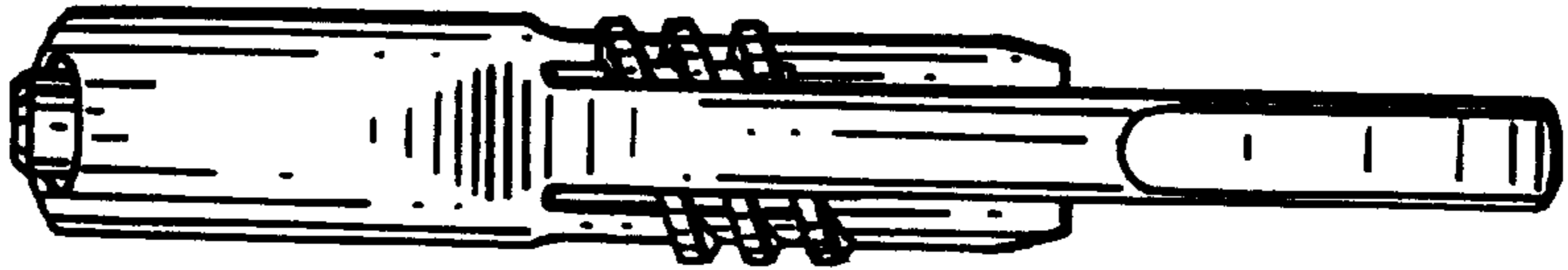


FIG. 3

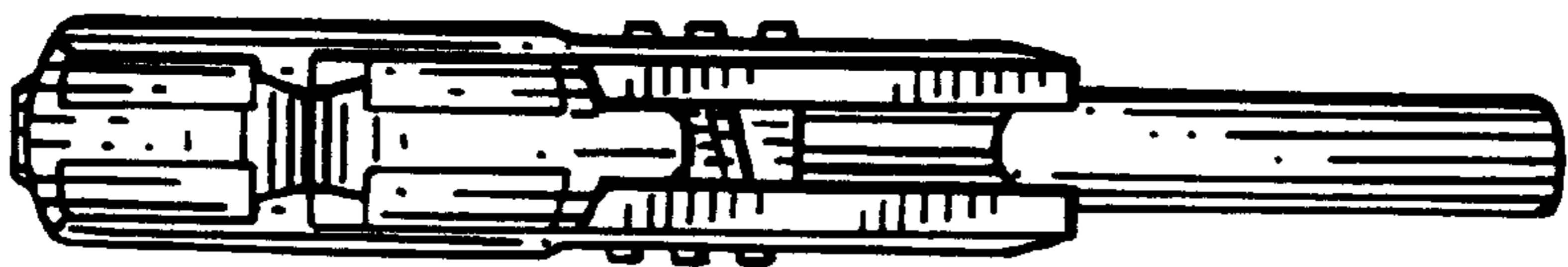


FIG. 5

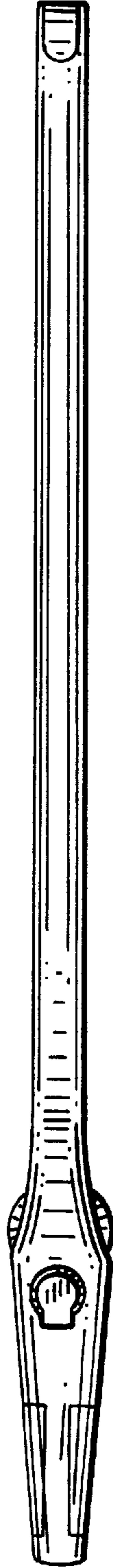


FIG. 6

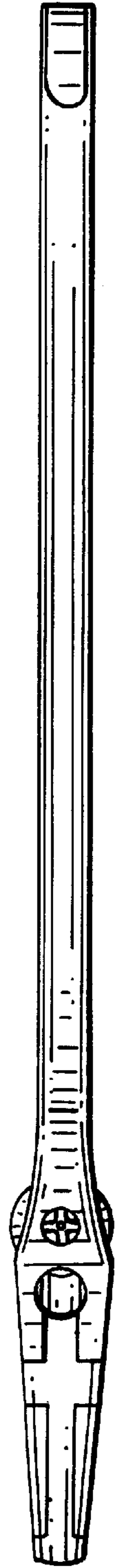


FIG. 7



FIG. 8



FIG. 9

