



US00D436811S

(12) **United States Design Patent**
Wang

(10) **Patent No.:** **US D436,811 S**

(45) **Date of Patent:** **** Jan. 30, 2001**

(54) **PLANT PRUNING TOOL**

5,970,617 * 10/1999 Chang 30/249
6,038,773 * 3/2000 Le et al. 30/249

(76) Inventor: **Meng Tun Wang**, P.O. Box 63-99,
Taichung 406 (TW)

* cited by examiner

(**) Term: **14 Years**

Primary Examiner—Robin V. Taylor

(21) Appl. No.: **29/119,664**

(57) **CLAIM**

(22) Filed: **Mar. 3, 2000**

The ornamental design for a plant pruning tool, as shown and described.

(51) **LOC (7) Cl.** **08-01**

DESCRIPTION

(52) **U.S. Cl.** **D8/1; D8/7**

(58) **Field of Search** **D8/1, 7, 4, 5;**
30/249, 262, 287

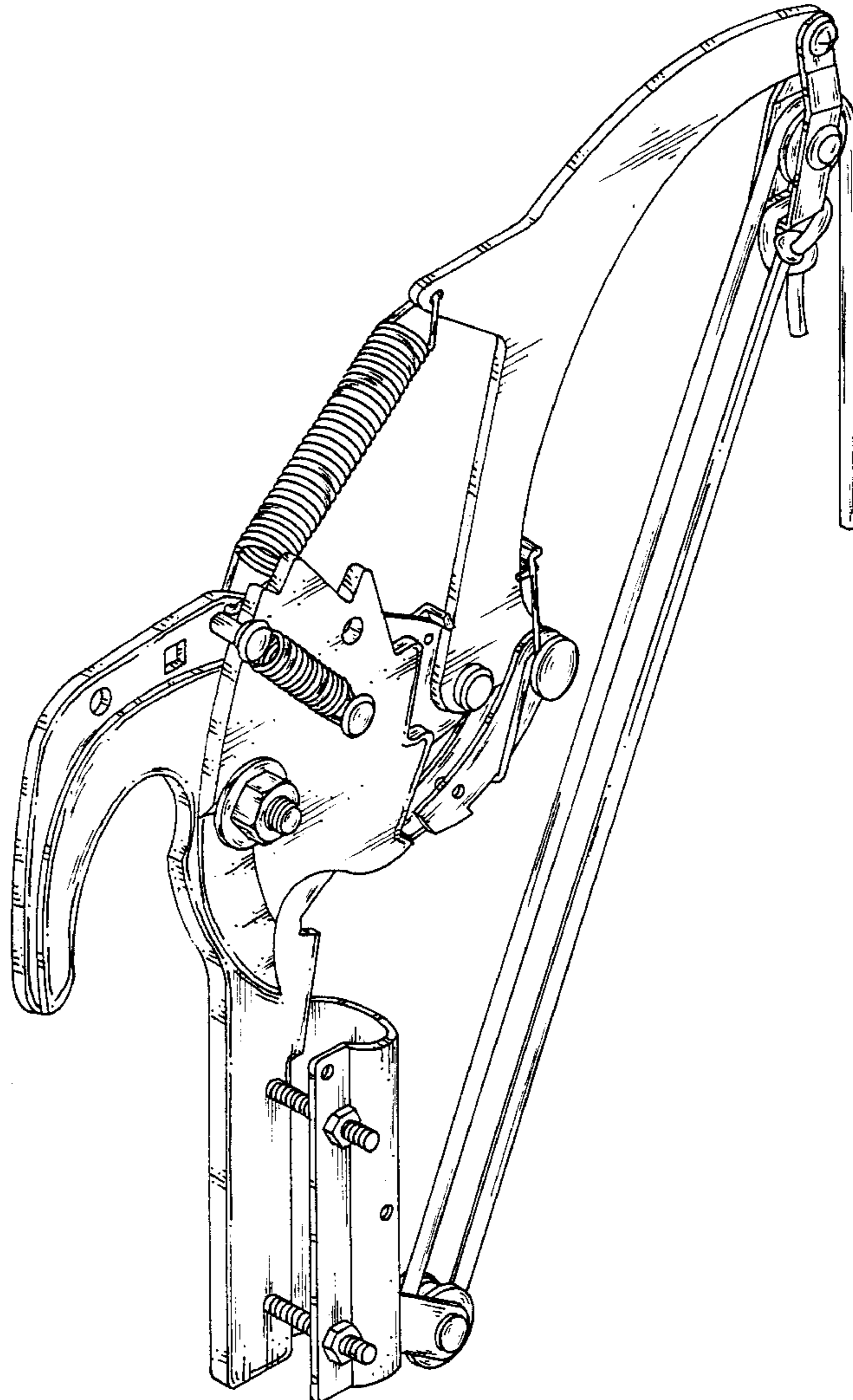
FIG. 1 is a perspective view of a plant pruning tool showing my new design;
FIG. 2 is a front elevational view thereof;
FIG. 3 is a rear elevational view thereof;
FIG. 4 is a left side elevational view thereof;
FIG. 5 is a right side elevational view thereof.
FIG. 6 is a top plan view thereof; and,
FIG. 7 is a bottom plan view thereof.

(56) **References Cited**

U.S. PATENT DOCUMENTS

4,760,645 * 8/1988 Davis 30/249
5,241,752 * 9/1993 Lutze et al. 30/249
5,743,018 * 4/1998 Wang 30/249
5,745,998 * 5/1998 Le 30/249

1 Claim, 5 Drawing Sheets



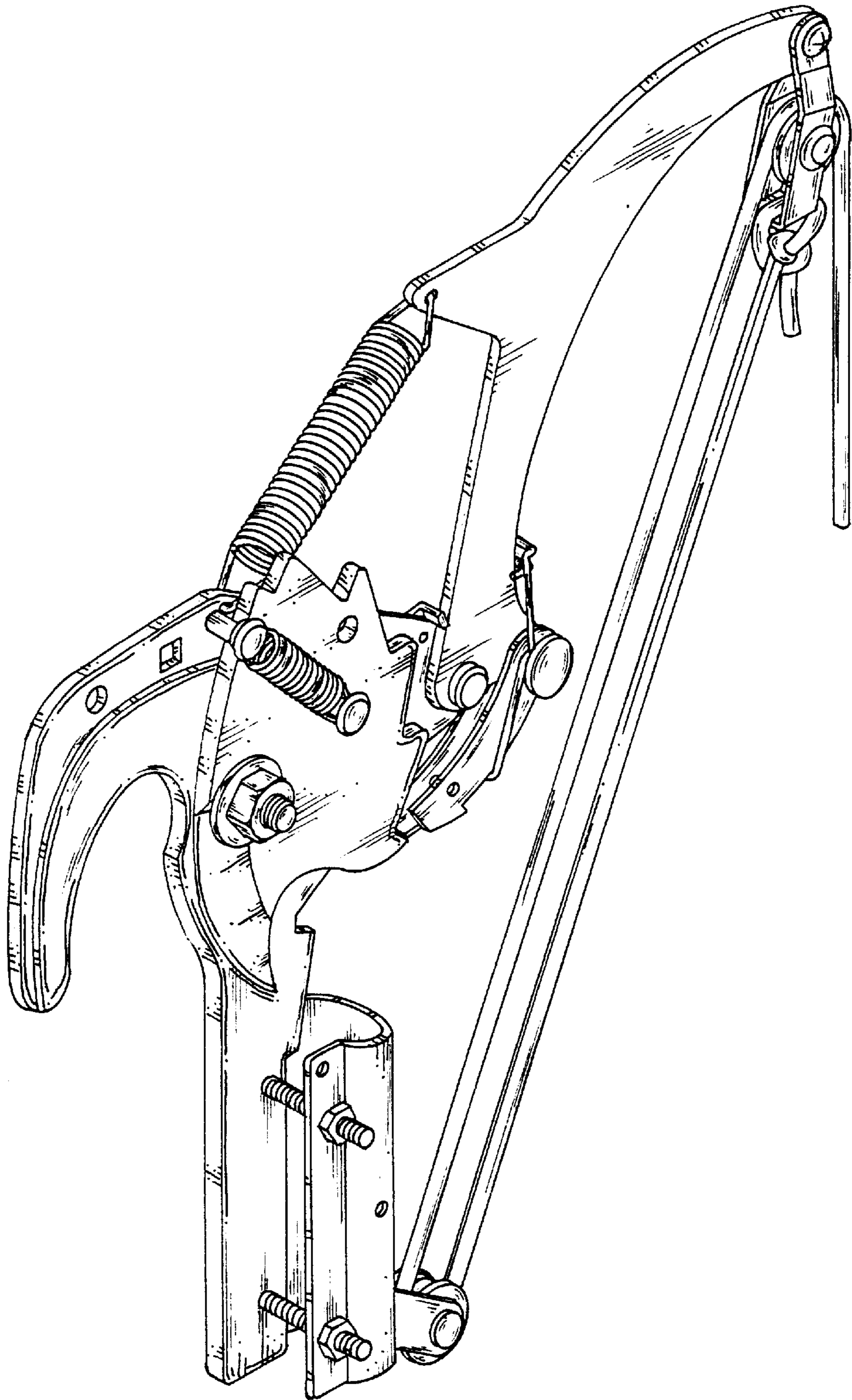


FIG. 1

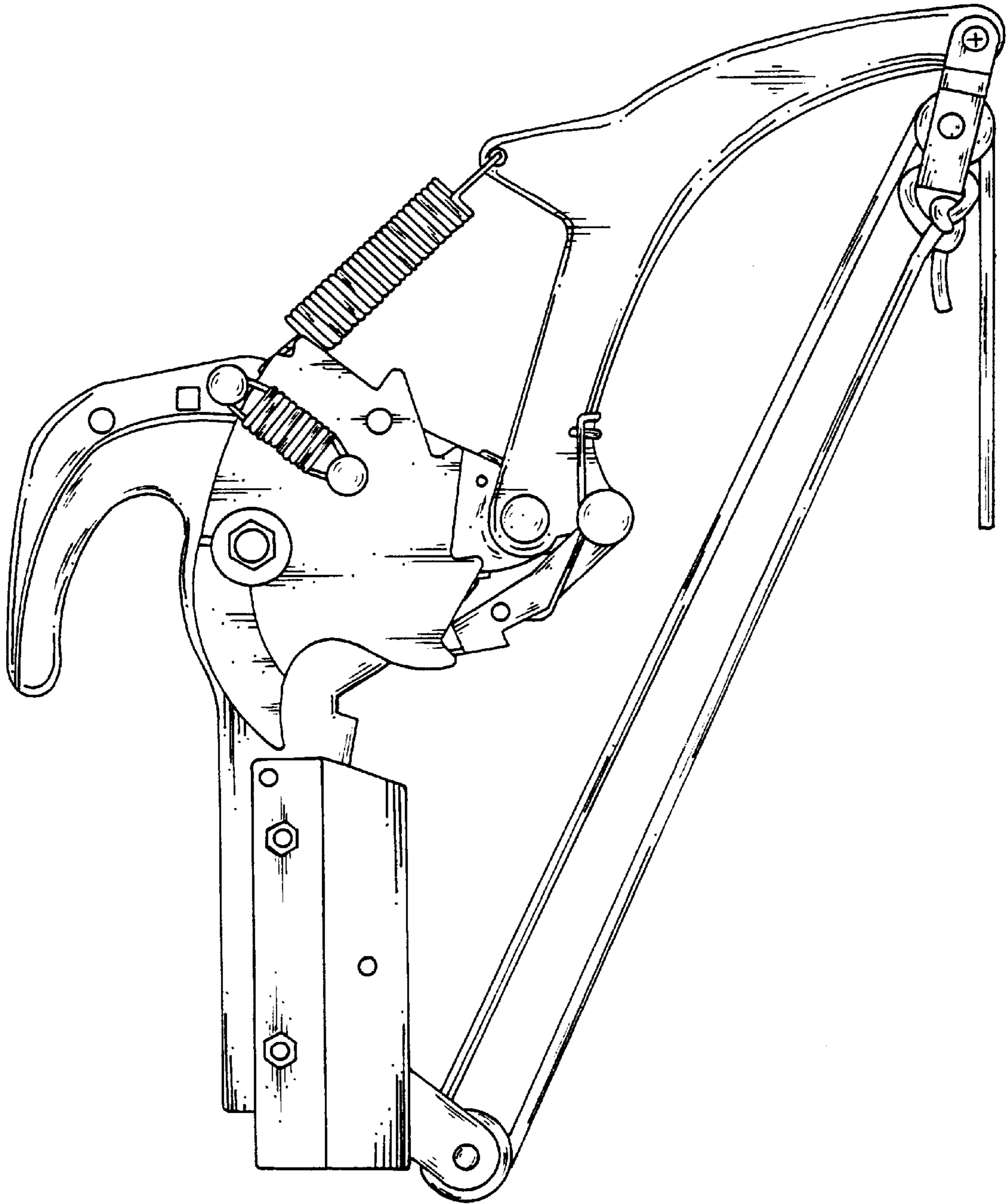


FIG. 2

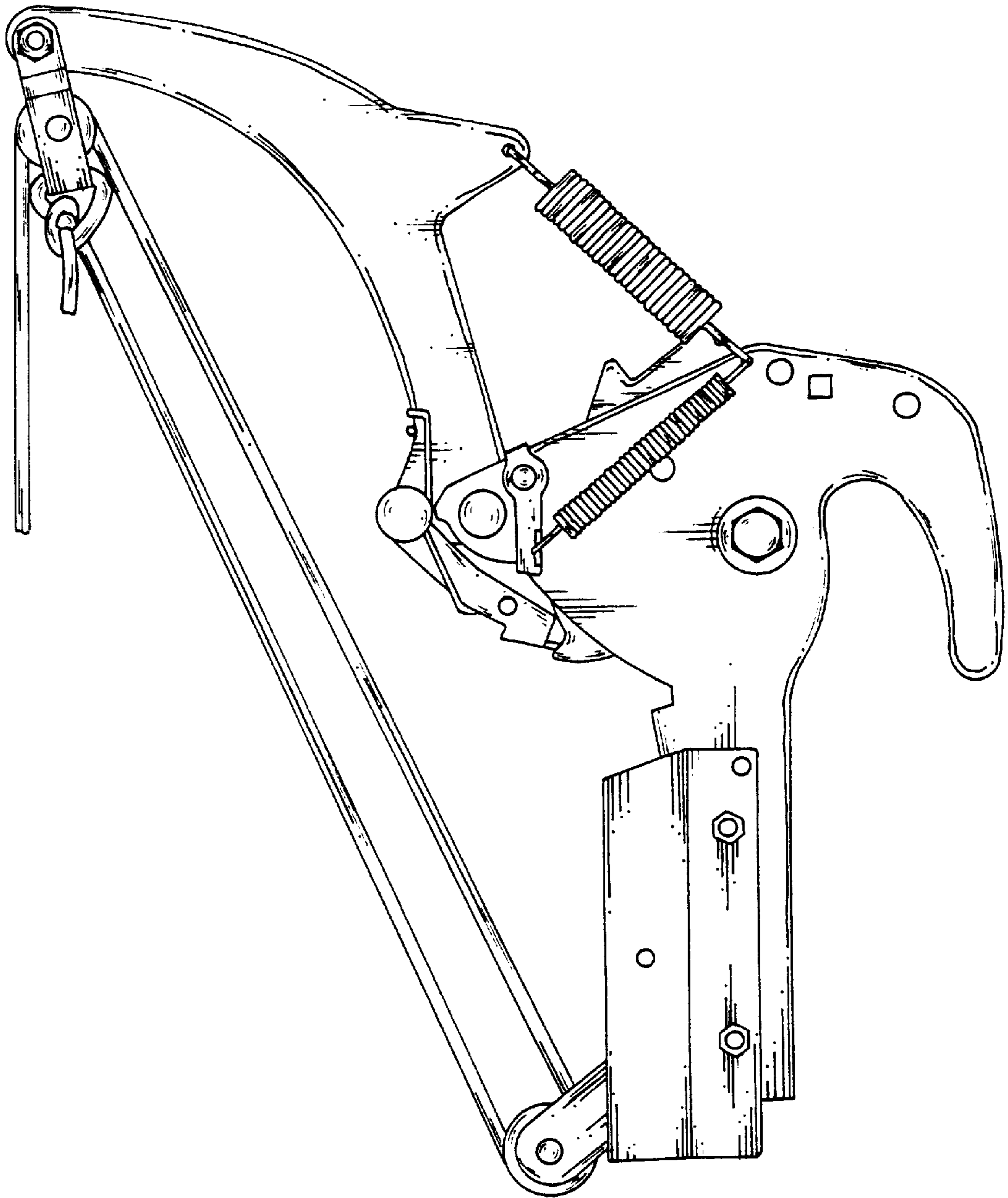


FIG. 3

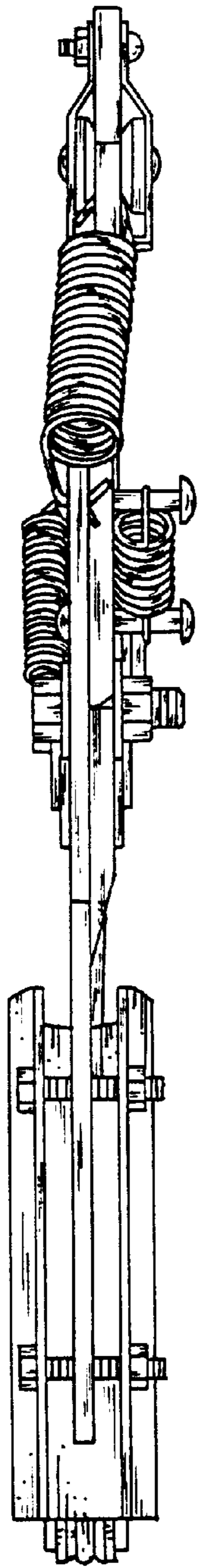


FIG. 4

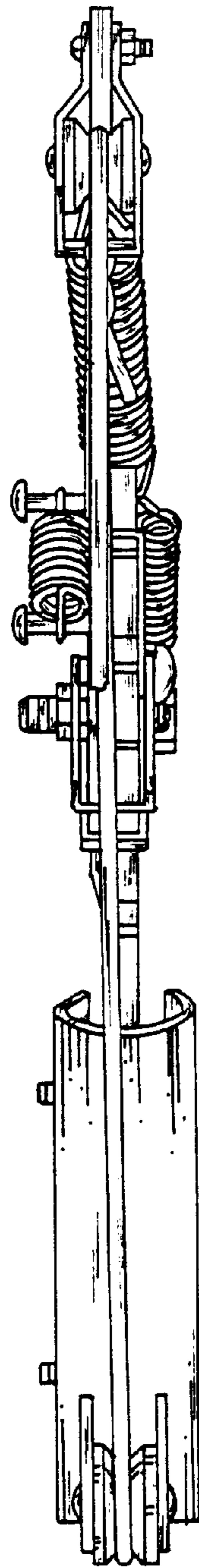


FIG. 5

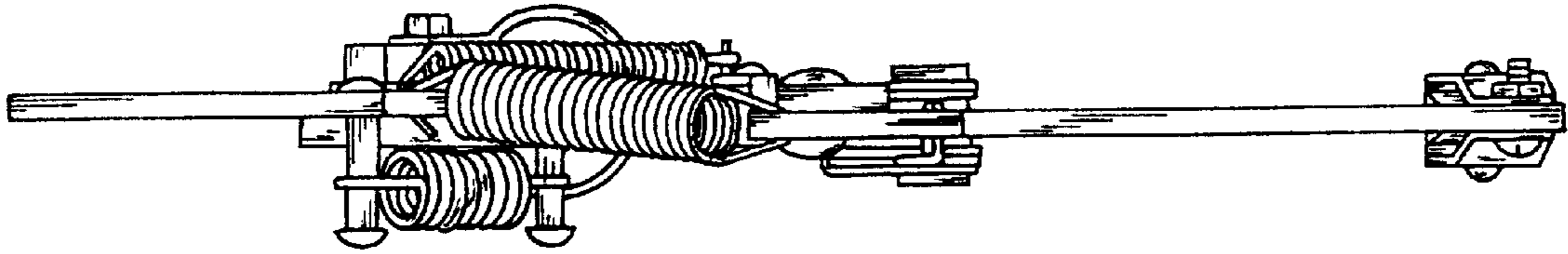


FIG. 6

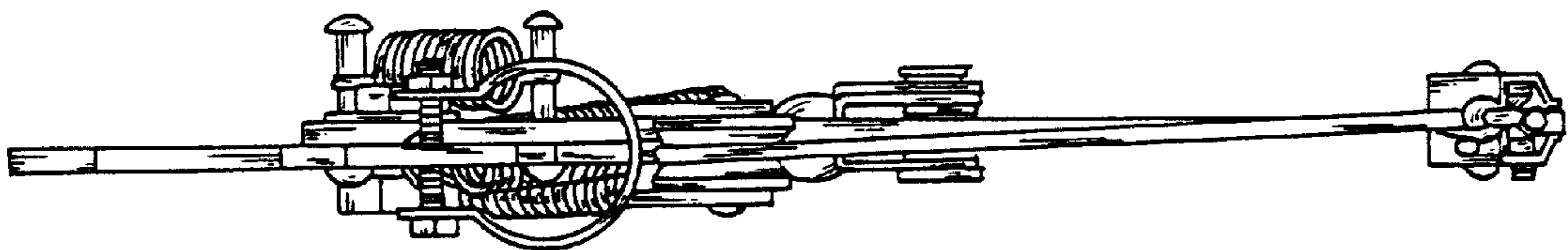


FIG. 7