



US00D436810S

(12) **United States Design Patent**
Slater

(10) **Patent No.:** **US D436,810 S**

(45) **Date of Patent:** **** Jan. 30, 2001**

(54) **SPATULA**

4,350,445 * 9/1982 Olsson 366/129 X

(76) Inventor: **Roger Parker Slater**, 20 Petersfield,
Croft, Leicestershire LE9 3GY (GB)

* cited by examiner

(**) Term: **14 Years**

Primary Examiner—Terry A. Wallace

(74) *Attorney, Agent, or Firm*—Frijouf, Rust & Pyle, P.A.

(21) Appl. No.: **29/109,006**

(57) **CLAIM**

(22) Filed: **Aug. 6, 1999**

The ornamental design for a spatula, as shown and described.

(51) **LOC (7) Cl.** **07-04**

DESCRIPTION

(52) **U.S. Cl.** **D7/688**

FIG. 1 is a top plan view of a spatula showing my new design;

(58) **Field of Search** D7/688-696; D32/40;
15/236.05, 245; 294/7, 8; 366/129, 343,
348, 349; 416/70 R

FIG. 2 is a bottom plan view thereof;

FIG. 3 is a side elevational view thereof, the opposite side being a mirror image;

(56) **References Cited**

U.S. PATENT DOCUMENTS

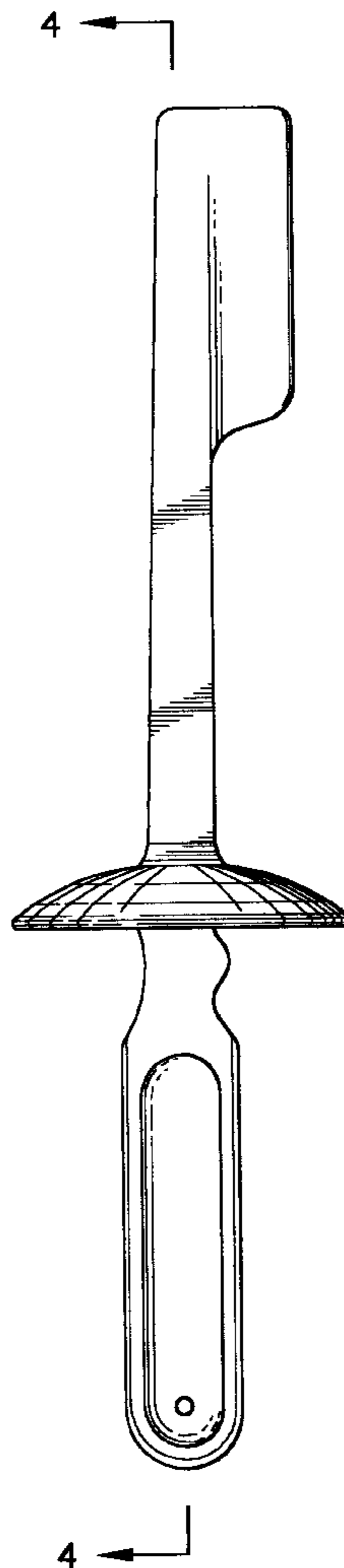
- D. 363,861 * 11/1995 Slater D7/688
- 1,784,334 * 12/1930 Callum 30/295
- 3,326,533 * 6/1967 Sturup D7/688 X

FIG. 4 is a cross-sectional view taken along line 4—4 of FIG. 3;

FIG. 5 is a front elevation view thereof; and,

FIG. 6 is a rear elevation view thereof.

1 Claim, 3 Drawing Sheets



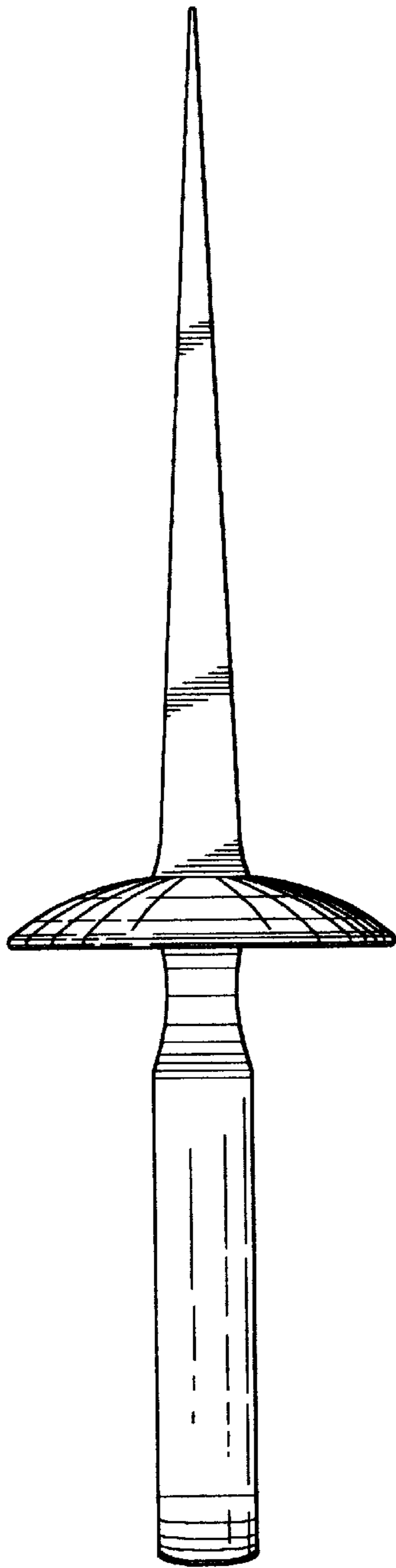


FIG. 1

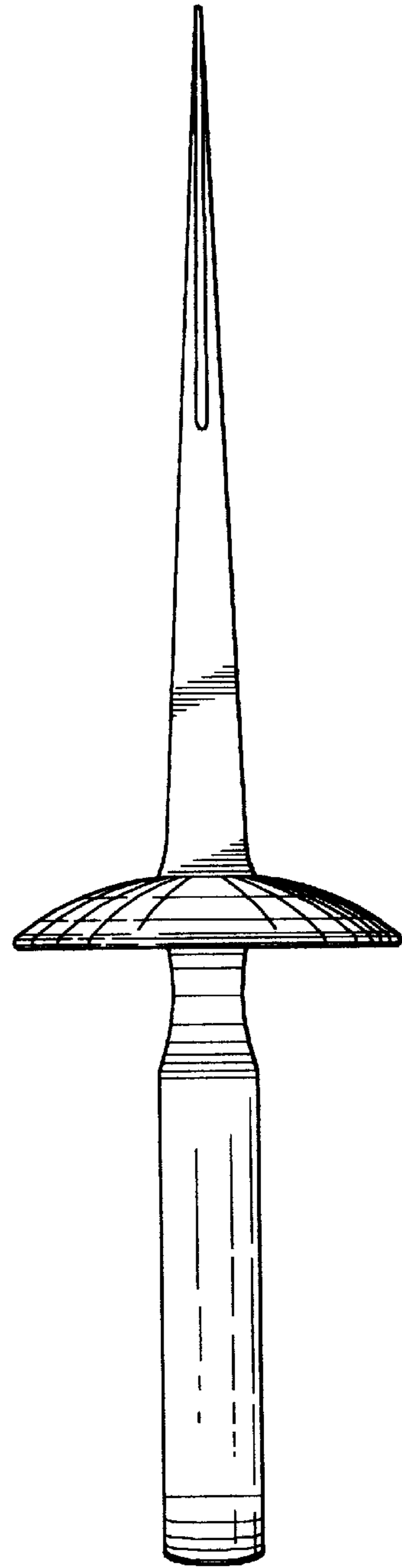


FIG. 2

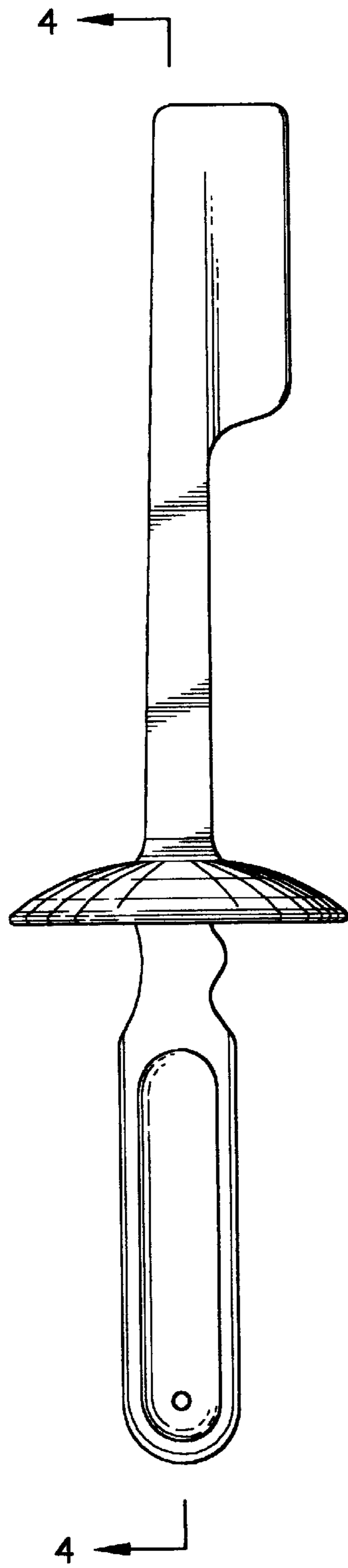


FIG. 3

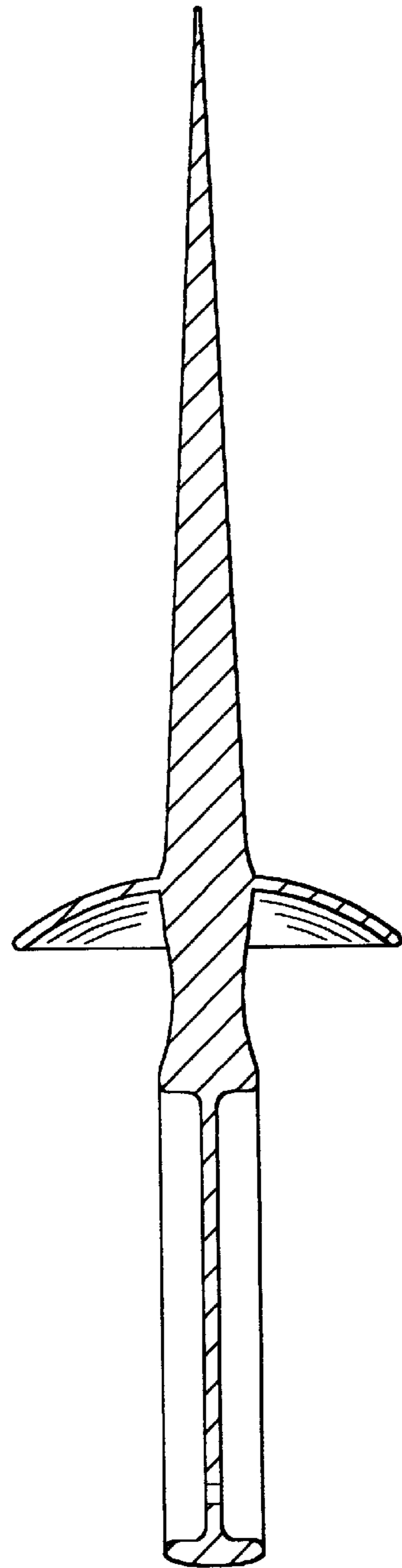


FIG. 4

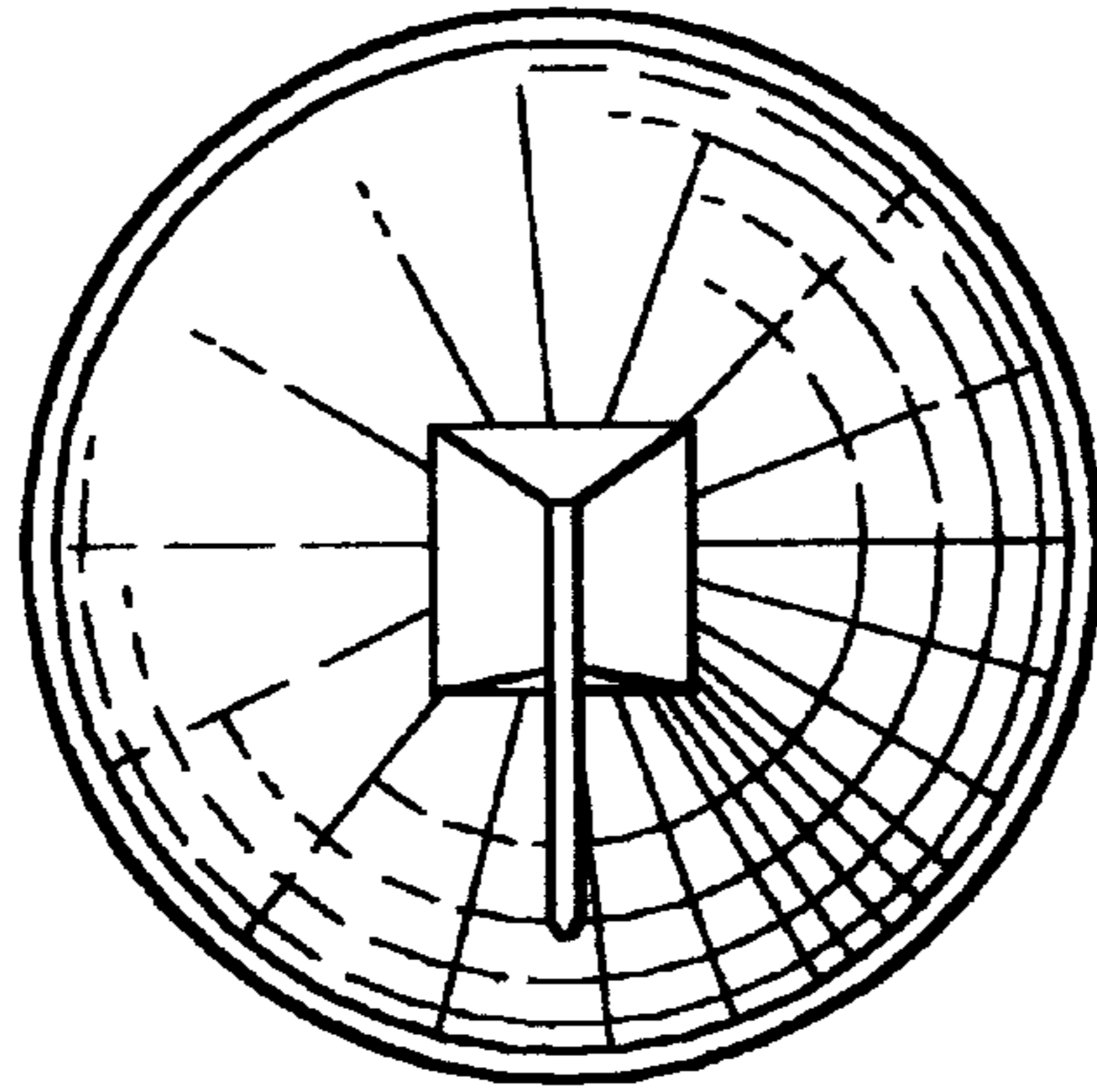


FIG. 5

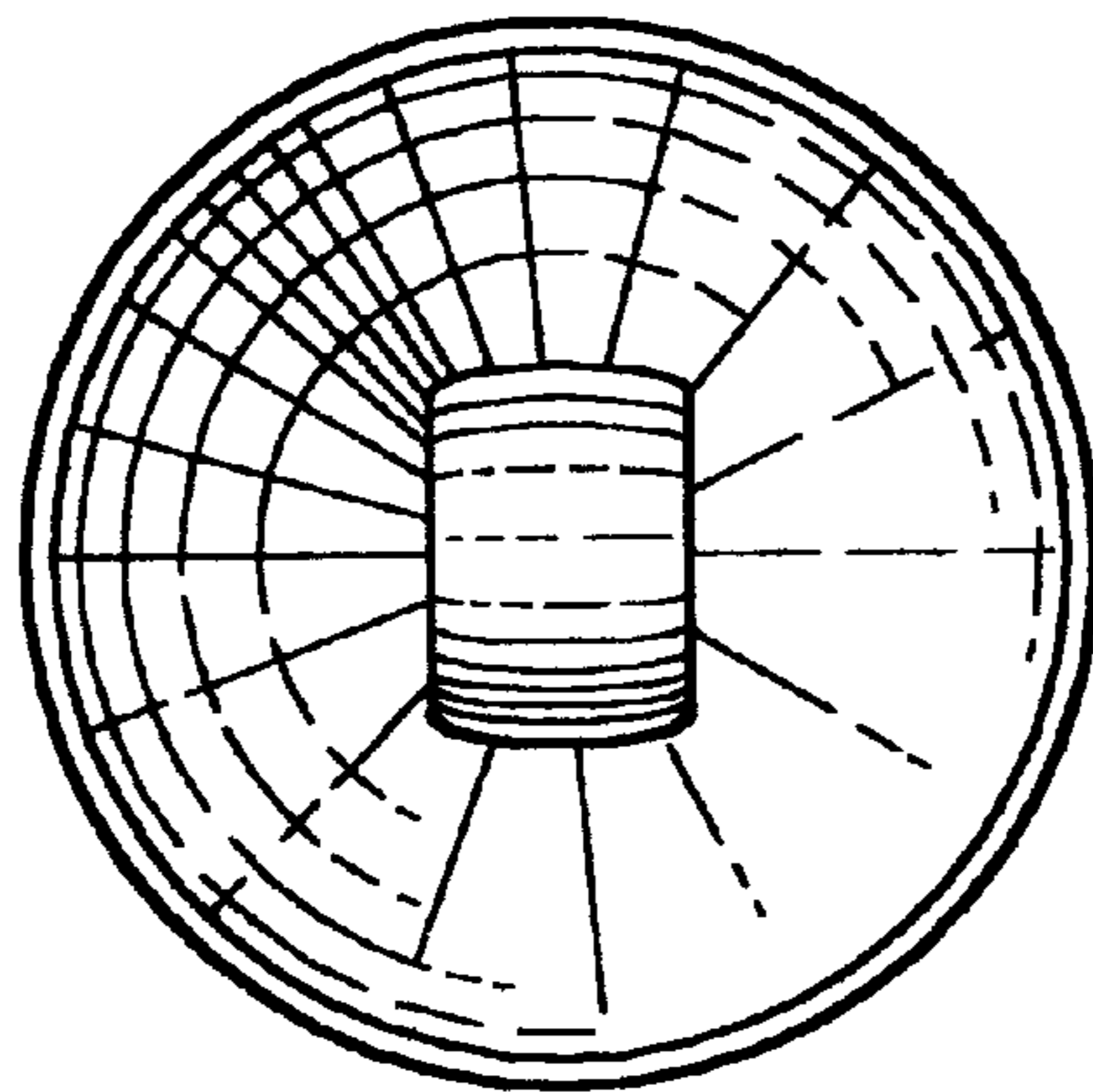


FIG. 6