



US00D436807S

(12) **United States Design Patent**
Chiu

(10) **Patent No.:** **US D436,807 S**

(45) **Date of Patent:** **** Jan. 30, 2001**

(54) **GARLIC PRESS**

(75) **Inventor:** **Terance Chi Ping Chiu, Hong Kong (HK)**

(73) **Assignee:** **Forexim (H.K.) Limited, Kowloon (HK)**

(**) **Term:** **14 Years**

(21) **Appl. No.:** **29/120,143**

(22) **Filed:** **Mar. 15, 2000**

(51) **LOC (7) Cl.** **07-04**

(52) **U.S. Cl.** **D7/666**

(58) **Field of Search** D7/665, 666; 99/495, 99/510; 100/104, 110, 112, 125, 234, 243; 241/168, 169

(56) **References Cited**

U.S. PATENT DOCUMENTS

5,791,237 * 8/1998 Gibson 99/510

* cited by examiner

Primary Examiner—Terry A. Wallace

(74) *Attorney, Agent, or Firm*—Ladas and Parry

(57) **CLAIM**

I claim the ornamental design for garlic press, as shown and described.

DESCRIPTION

FIG. 1 is a top/right-side/front perspective view of a garlic press showing my new design;

FIG. 2 is a top plan view thereof;

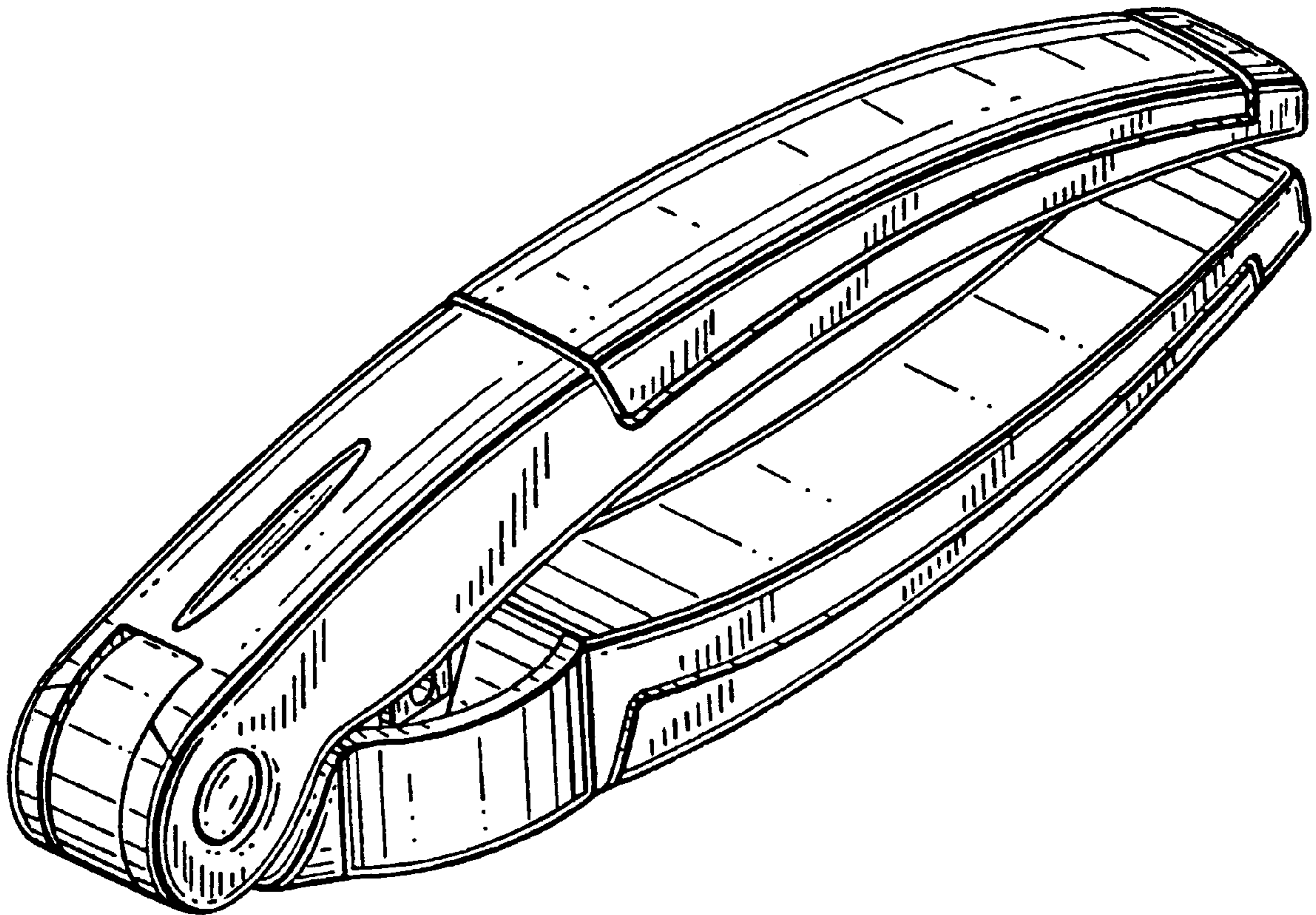
FIG. 3 is a right-side elevational view thereof, the left-side elevational view being a mirror image and, therefore, not shown;

FIG. 4 is a front elevational view thereof;

FIG. 5 is a rear elevational view thereof; and,

FIG. 6 is a bottom plan view thereof.

1 Claim, 3 Drawing Sheets



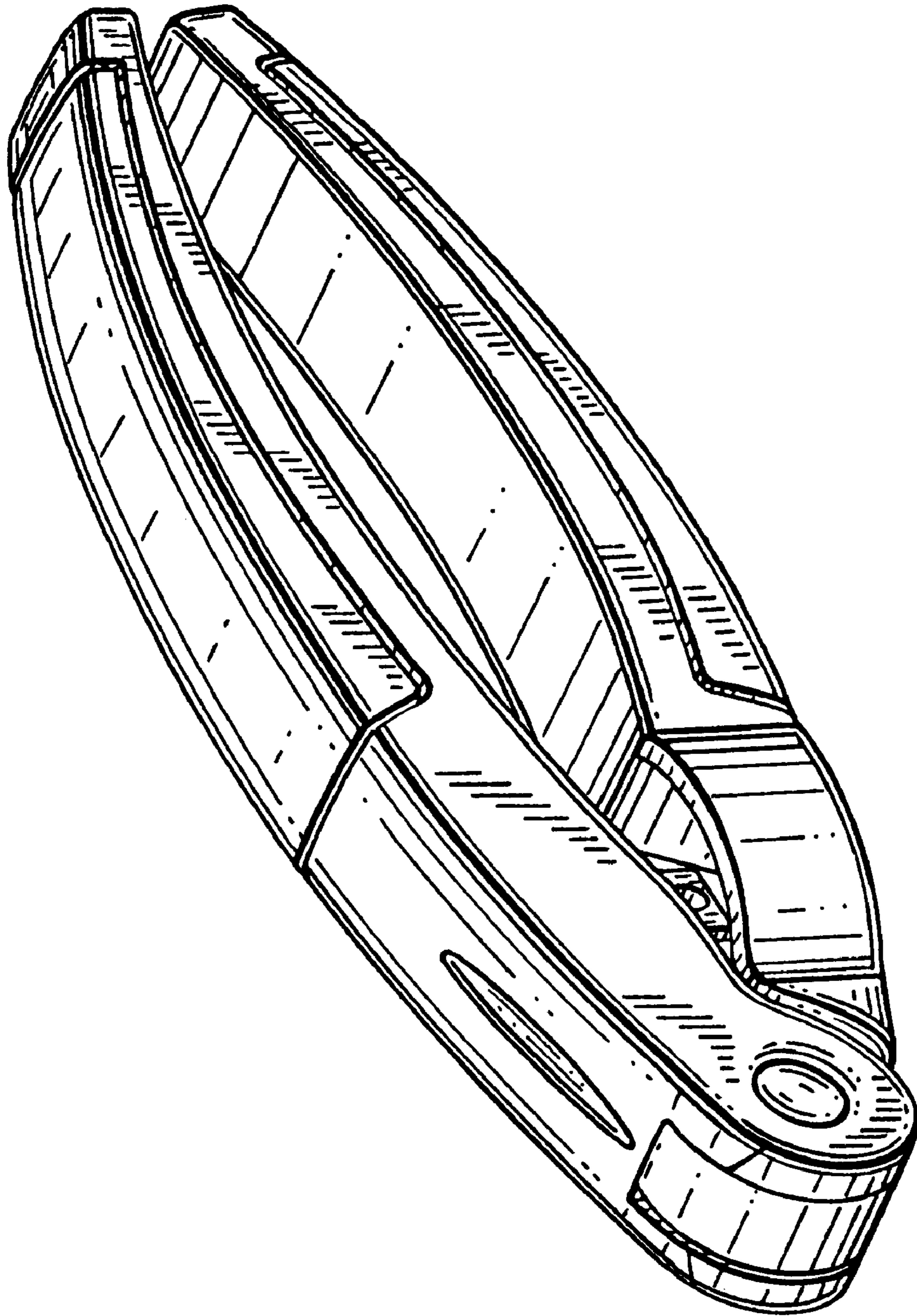


FIG. 1

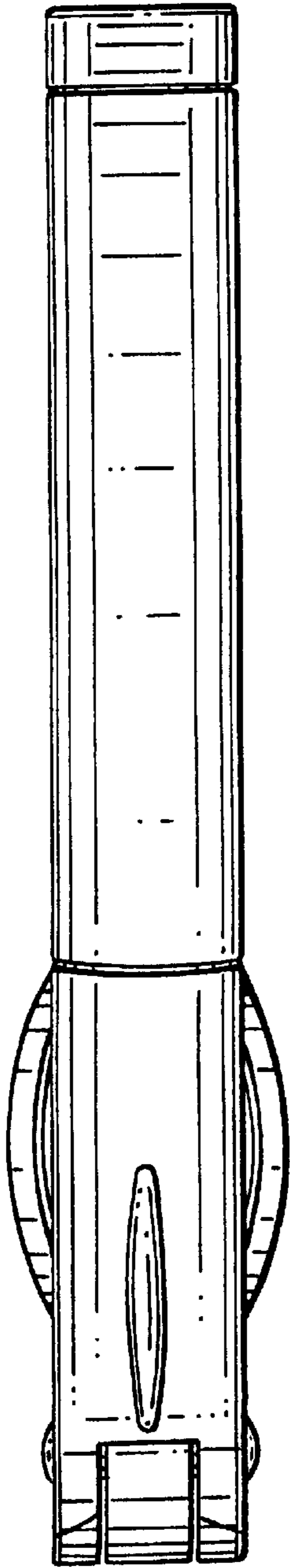


FIG. 2

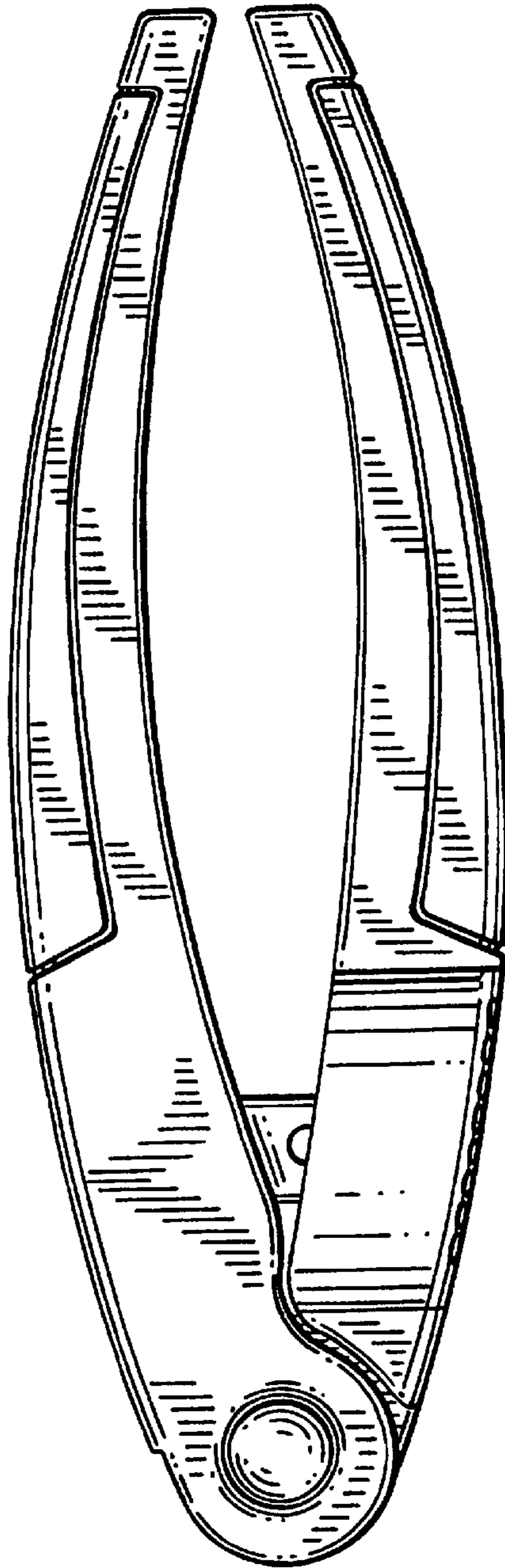


FIG. 3

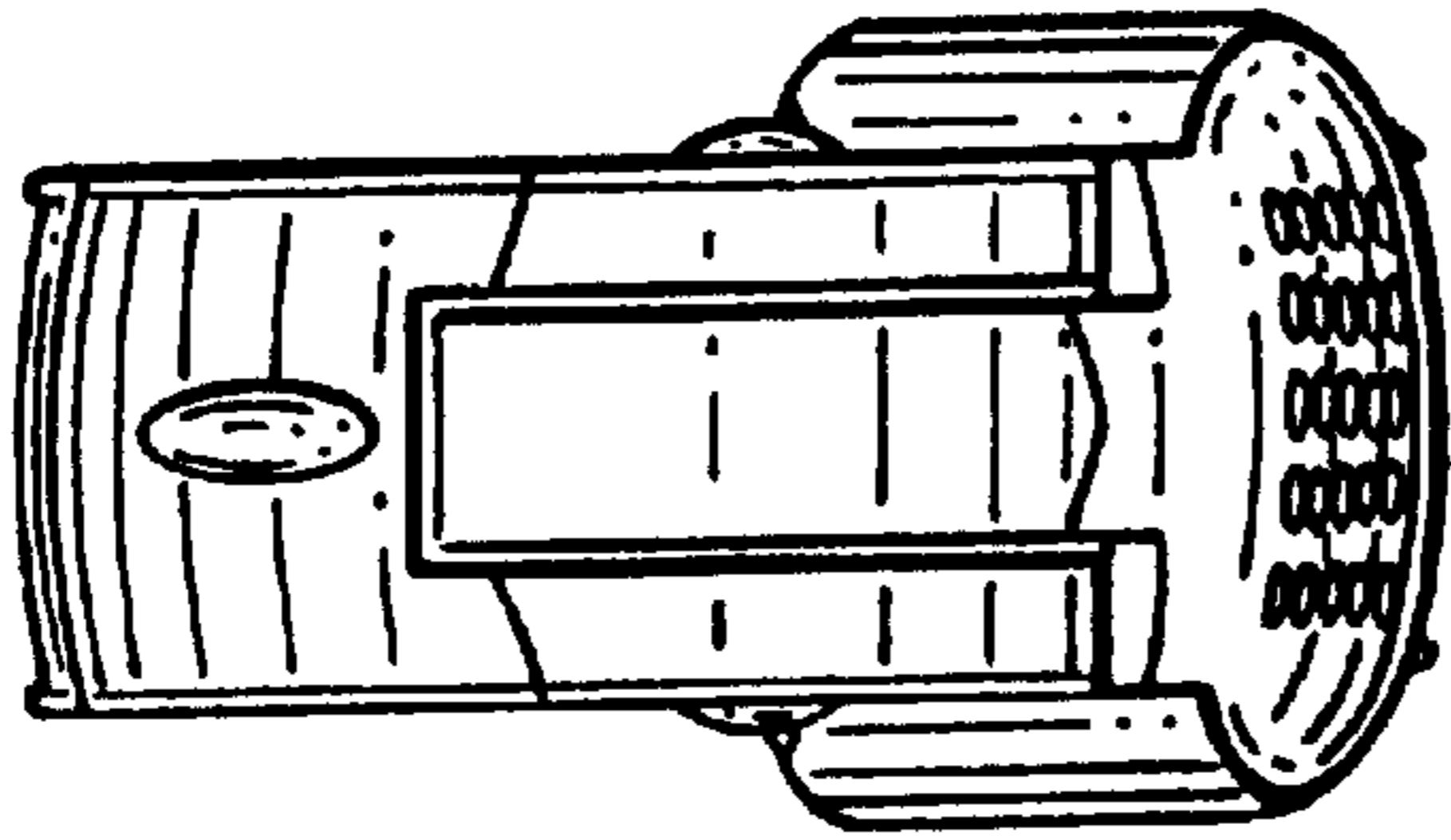


FIG. 4

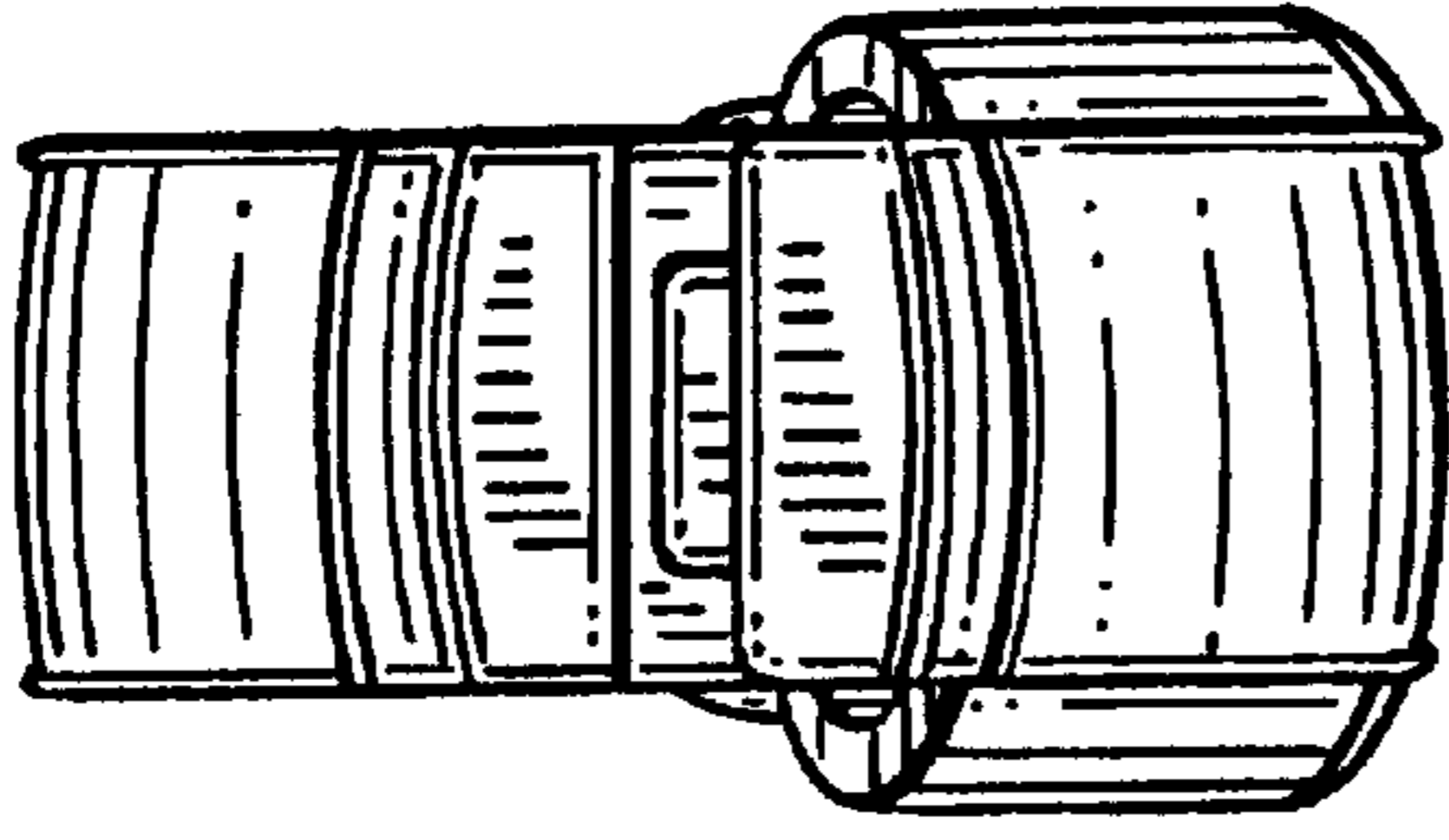


FIG. 5

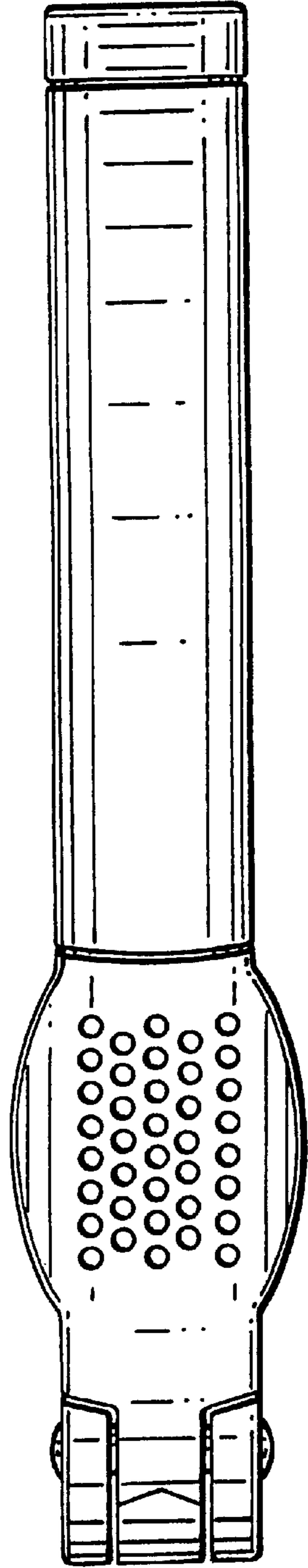


FIG. 6