



US00D436806S

(12) **United States Design Patent**
Kimbrough et al.

(10) **Patent No.: US D436,806 S**
(45) **Date of Patent: ** Jan. 30, 2001**

- (54) **CONTAINER CADDY**
- (75) Inventors: **Laurel M. Kimbrough; Thomas J. Reddin; Abigail J. Weatherby**, all of Atlanta, GA (US); **Jay K. Fording**, Matthews, NC (US); **Keith G. Savas; Benjamin J. Nash**, both of Charlotte, NC (US); **Edgar B. Montague, III**, Fort Mill, SC (US)
- (73) Assignee: **The Coca-Cola Company**, Atlanta, GA (US)
- (*) Notice: This patent is subject to a terminal disclaimer.
- (**) Term: **14 Years**
- (21) Appl. No.: **29/108,303**
- (22) Filed: **Jul. 23, 1999**
- (51) **LOC (7) Cl. 07-06**
- (52) **U.S. Cl. D7/620; D34/27**
- (58) **Field of Search D7/619-625; D34/27; 62/457.1-457.4; 220/737, 739; 248/311.2, 215; 280/33.992; 211/74, 88; 224/411, 555, 566, 926**

4,693,440	9/1987	Lalonde	248/154
4,726,468	2/1988	Hesser et al.	206/423
4,767,089	8/1988	Self	248/152
4,819,803	4/1989	Neiser	206/423
4,844,399	7/1989	Harm	248/311.2
4,889,267	12/1989	Bolton	224/274
5,024,411	6/1991	Elwell	248/311.2
5,028,023	7/1991	Allen	248/152
5,060,798	10/1991	Braastad	206/423
5,104,186	4/1992	Kwasnik et al.	297/194
5,131,716	7/1992	Kwasnik et al.	297/194
5,190,257	3/1993	Gradei et al.	248/231.7
5,195,706	3/1993	Allen	248/152
5,362,077	11/1994	Adamson	280/33.992
5,400,990	3/1995	Frankel	248/215
5,421,638	6/1995	Ayotte et al.	297/188.04
5,433,361	7/1995	O'Malley	224/274
5,464,183	11/1995	McConnell et al.	248/311.2
5,484,129	1/1996	Megal	248/311.2
5,494,306	2/1996	Adamson et al.	280/33.992
5,503,297	4/1996	Frankel	220/751
5,531,238	7/1996	Azzarelli et al.	135/66
5,579,968	12/1996	Staschiak	224/274

(List continued on next page.)

- (56) **References Cited**
- U.S. PATENT DOCUMENTS**
- D. 307,669 5/1990 Inouye D7/620
- D. 368,628 4/1996 Bergin D7/620
- D. 383,284 9/1997 Lines D34/27
- D. 383,362 9/1997 Ayotte et al. D7/620
- D. 398,127 9/1998 Bergin et al. D34/27
- D. 400,678 11/1998 Clark et al. D34/27
- 1,127,793 2/1915 Mettler 248/154
- 2,633,278 3/1953 Muniz 224/42.46
- 2,763,413 9/1956 Felton 224/42.46
- 3,297,289 1/1967 La Raus 248/152
- 3,734,439 5/1973 Wintz 248/224
- 3,938,869 2/1976 Josey 312/100
- 4,088,250 5/1978 Schaefer 224/5 W
- 4,446,508 5/1984 Kinzie 362/31

Primary Examiner—Terry A. Wallace
(74) *Attorney, Agent, or Firm*—Sutherland Asbill & Brennan LLP

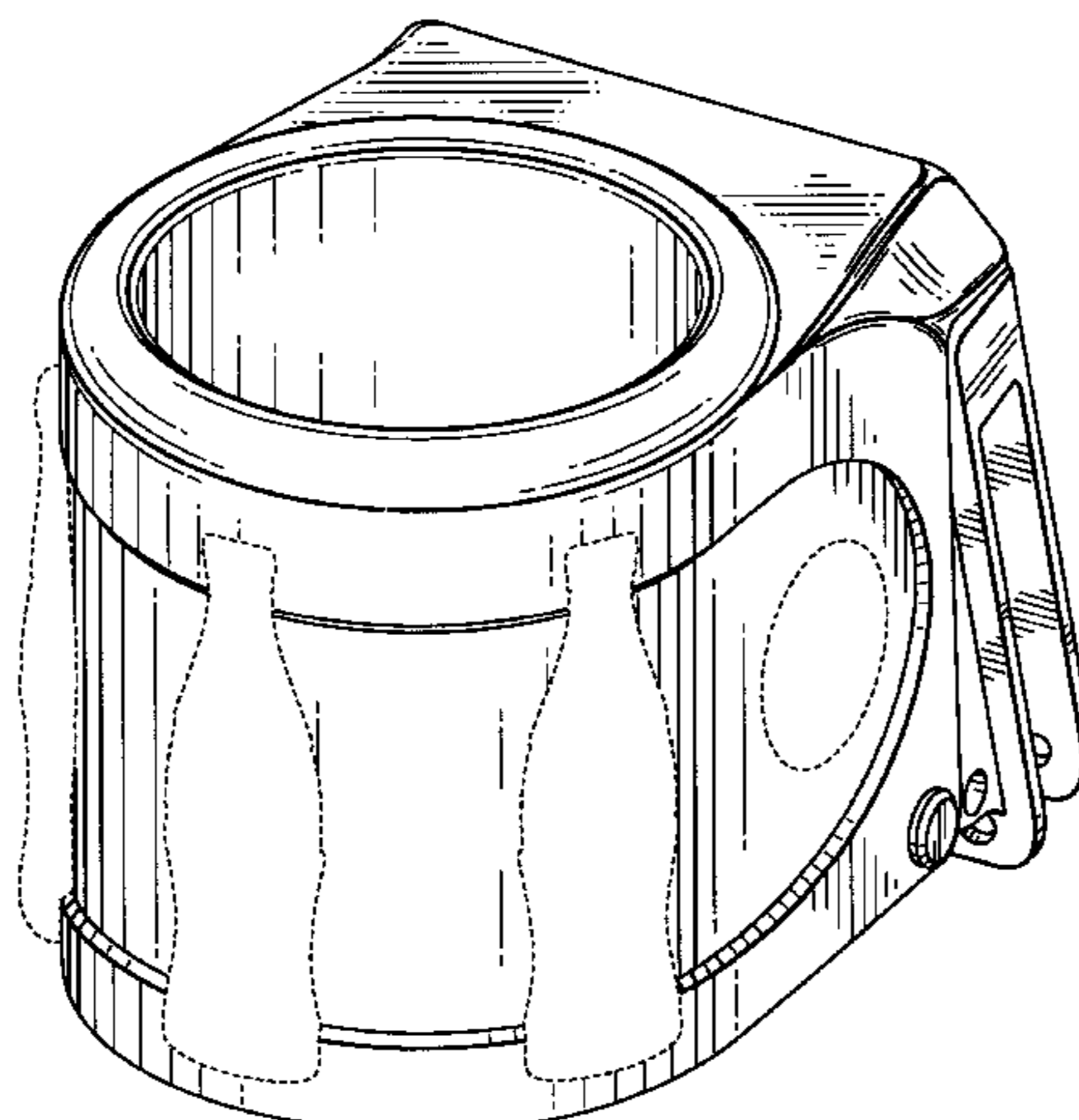
(57) **CLAIM**

The ornamental design for a container caddy, as shown and described.

DESCRIPTION

FIG. 1 is a perspective view of our new container caddy; FIG. 2 is a front elevation view thereof; FIG. 3 is a right side plan view thereof; FIG. 4 is a top elevation view thereof; FIG. 5 is a left side elevation view thereof; FIG. 6 is a bottom plan view thereof; and, FIG. 7 is a back elevation view thereof. The broken lines showing the contoured bottles and the emblem circle are for illustrative purposes only and do not form part of the claimed design.

1 Claim, 7 Drawing Sheets



US D436,806 S

Page 2

U.S. PATENT DOCUMENTS			
5,664,718	9/1997	Vine	224/545
5,671,877	9/1997	Yabuya	224/282
5,673,835	10/1997	Kalat	224/556
5,678,741	10/1997	Schieber	224/275
5,695,162	12/1997	DiCastro	248/231.81
5,709,429	1/1998	Bergin	297/188.04
5,746,363	5/1998	Teller et al.	224/547
5,803,327	9/1998	Nipper et al.	224/407

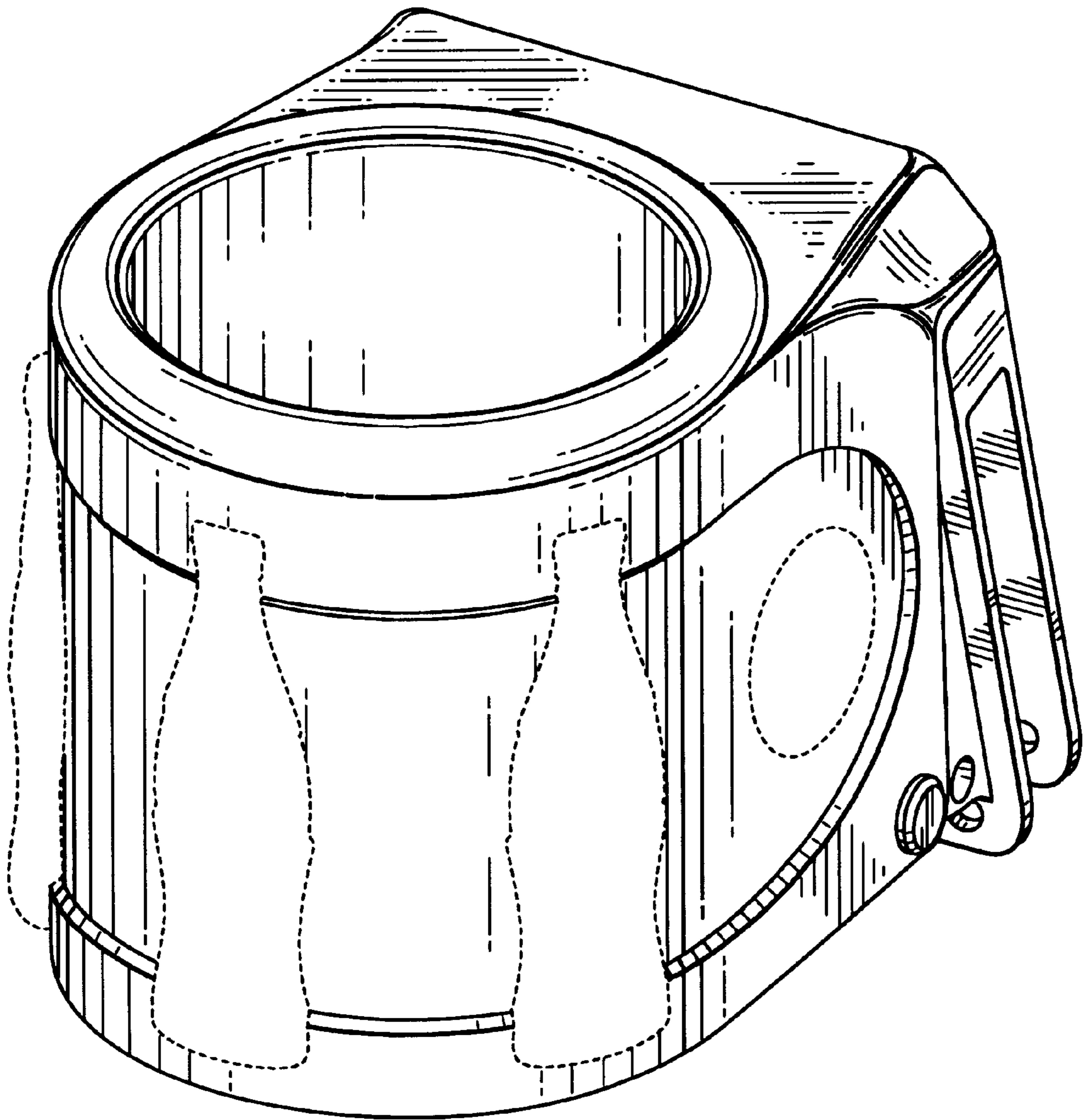


FIG. 1.

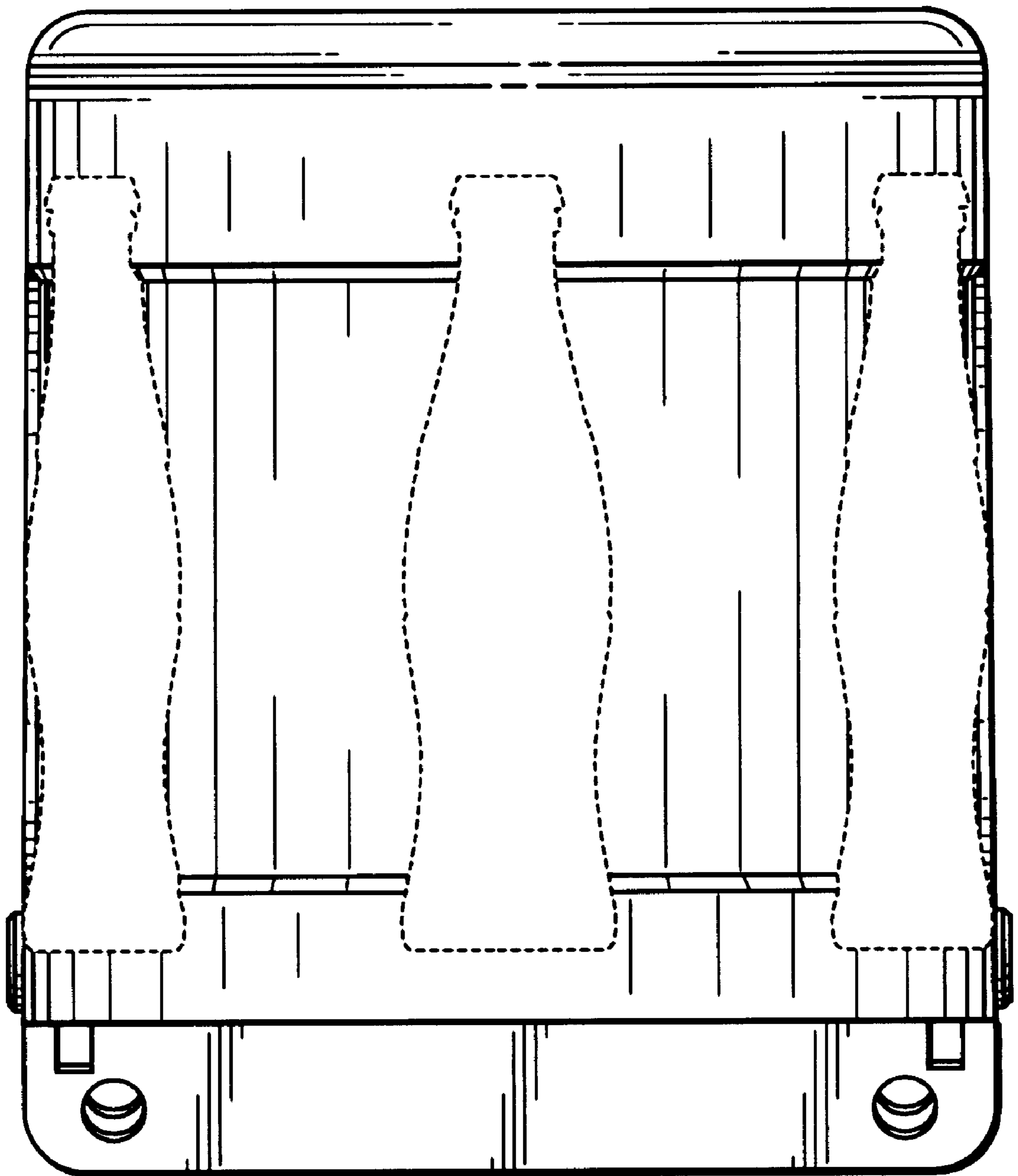


FIG. 2.

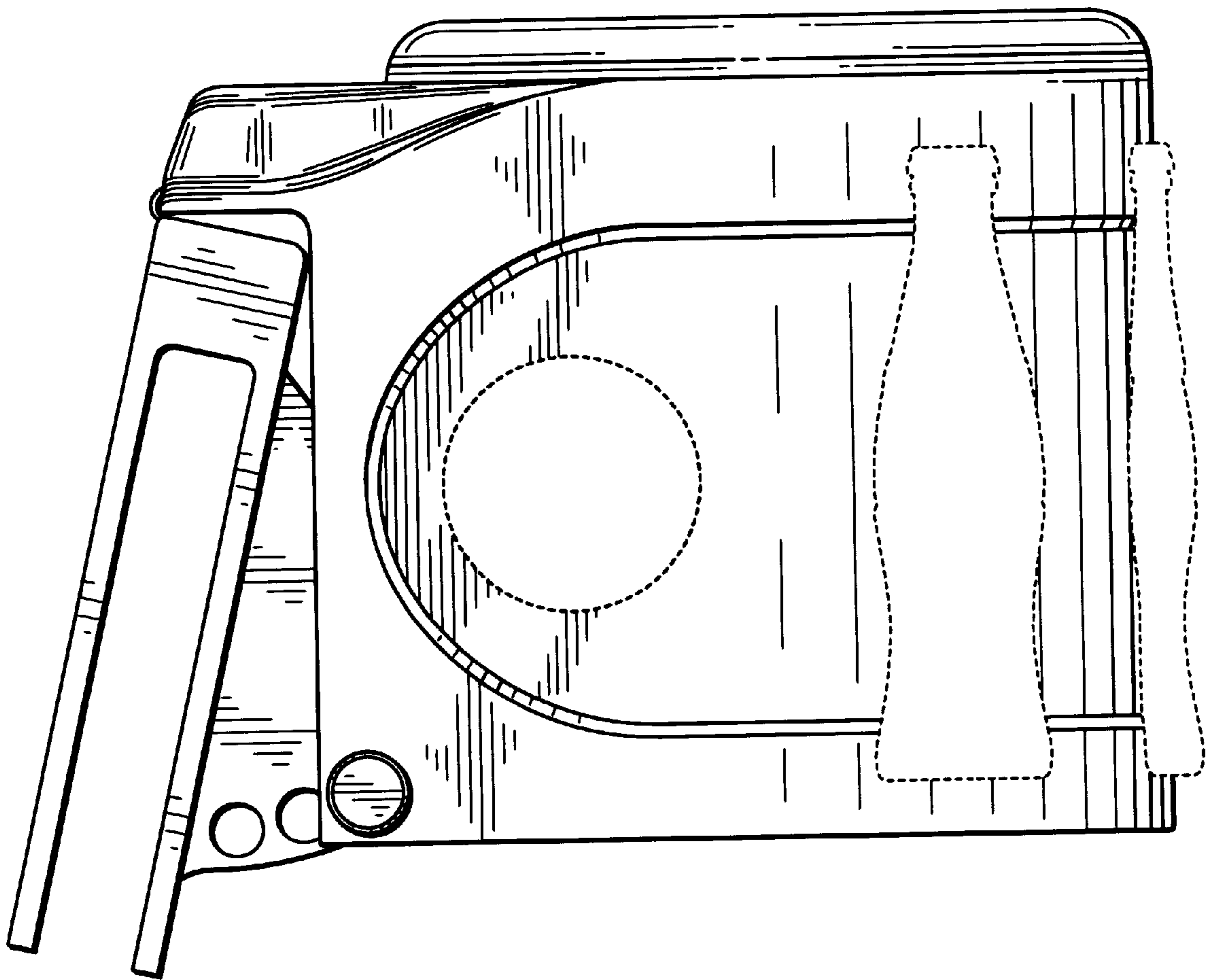


FIG. 3.

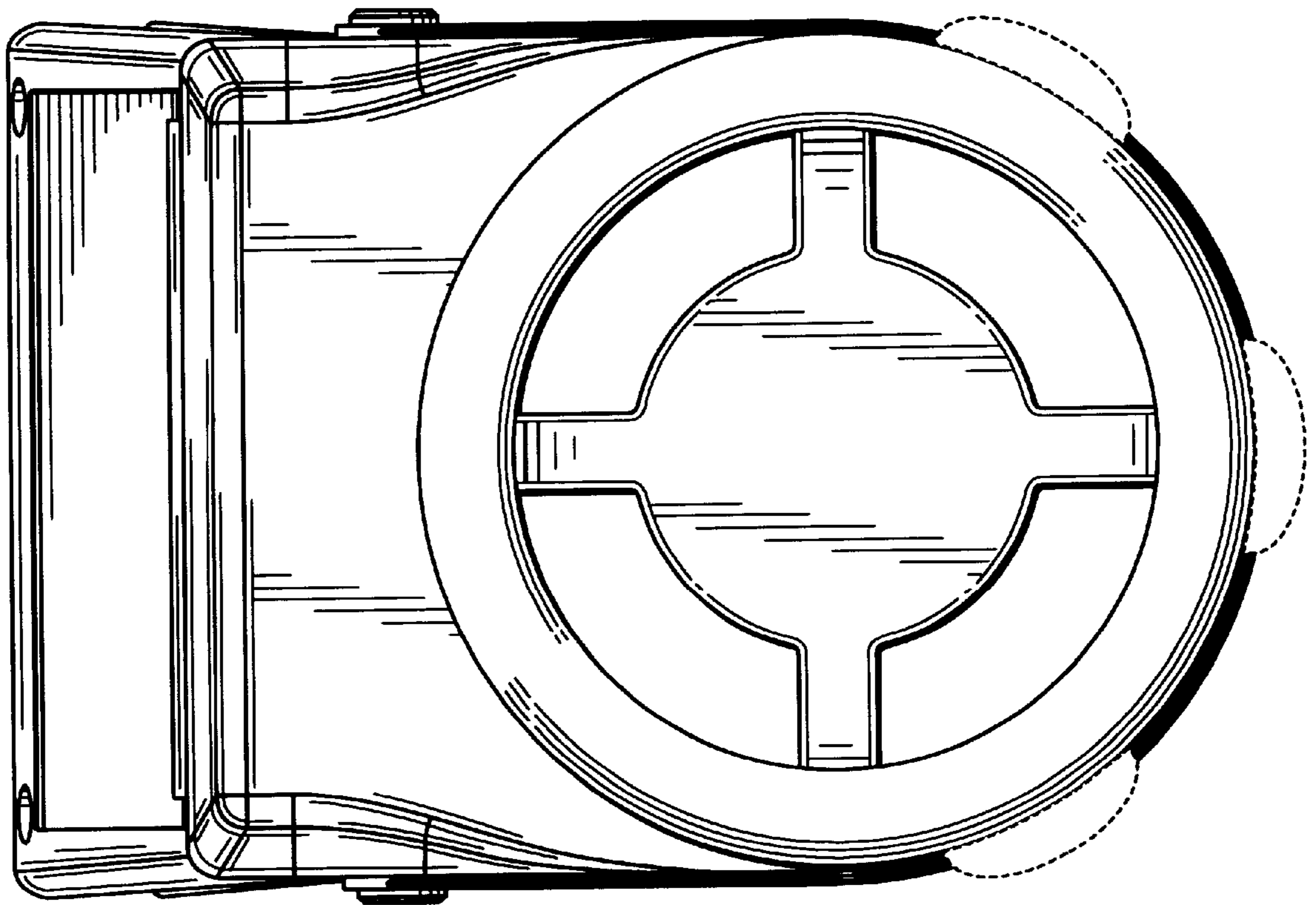


FIG. 4.

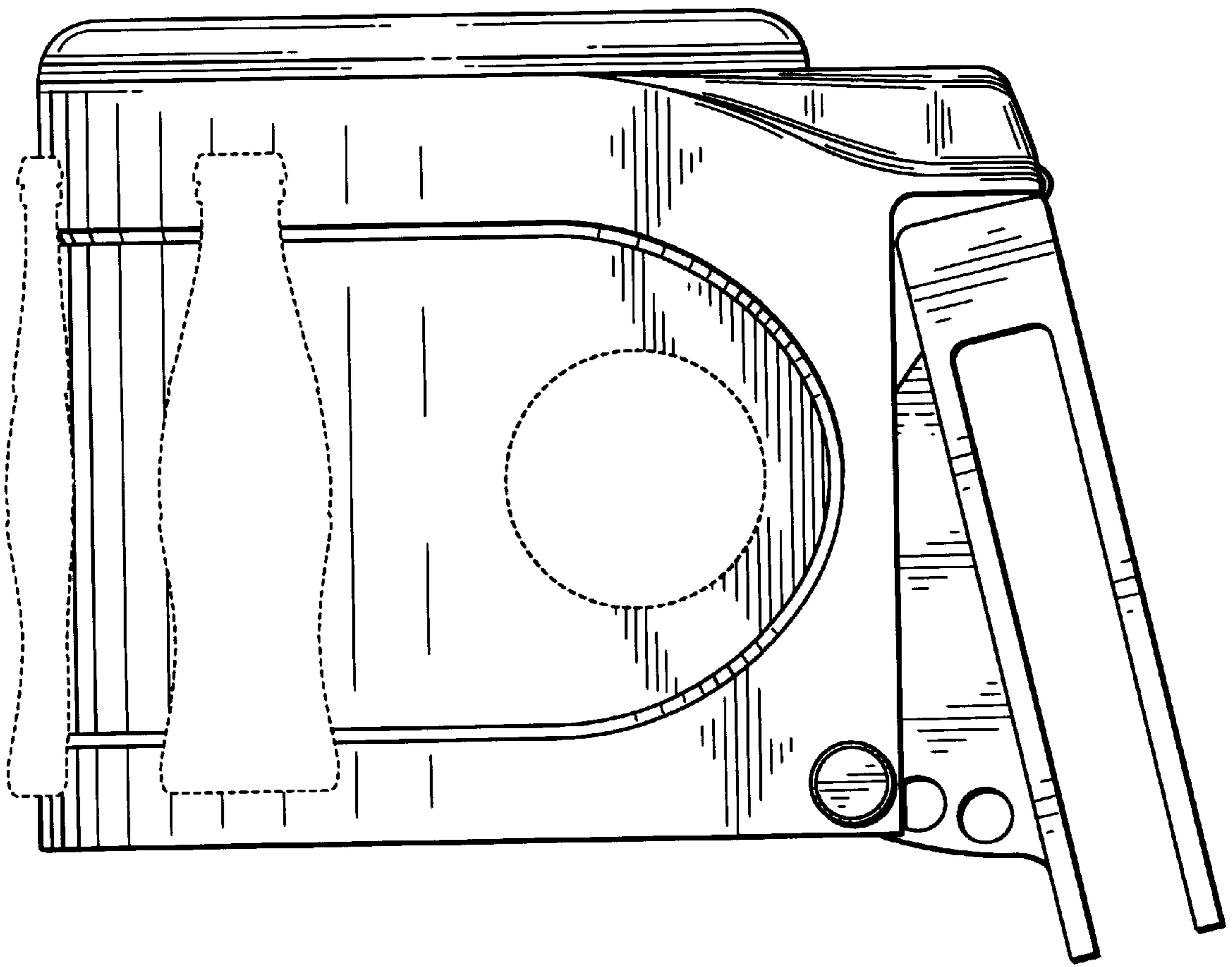


FIG. 5.

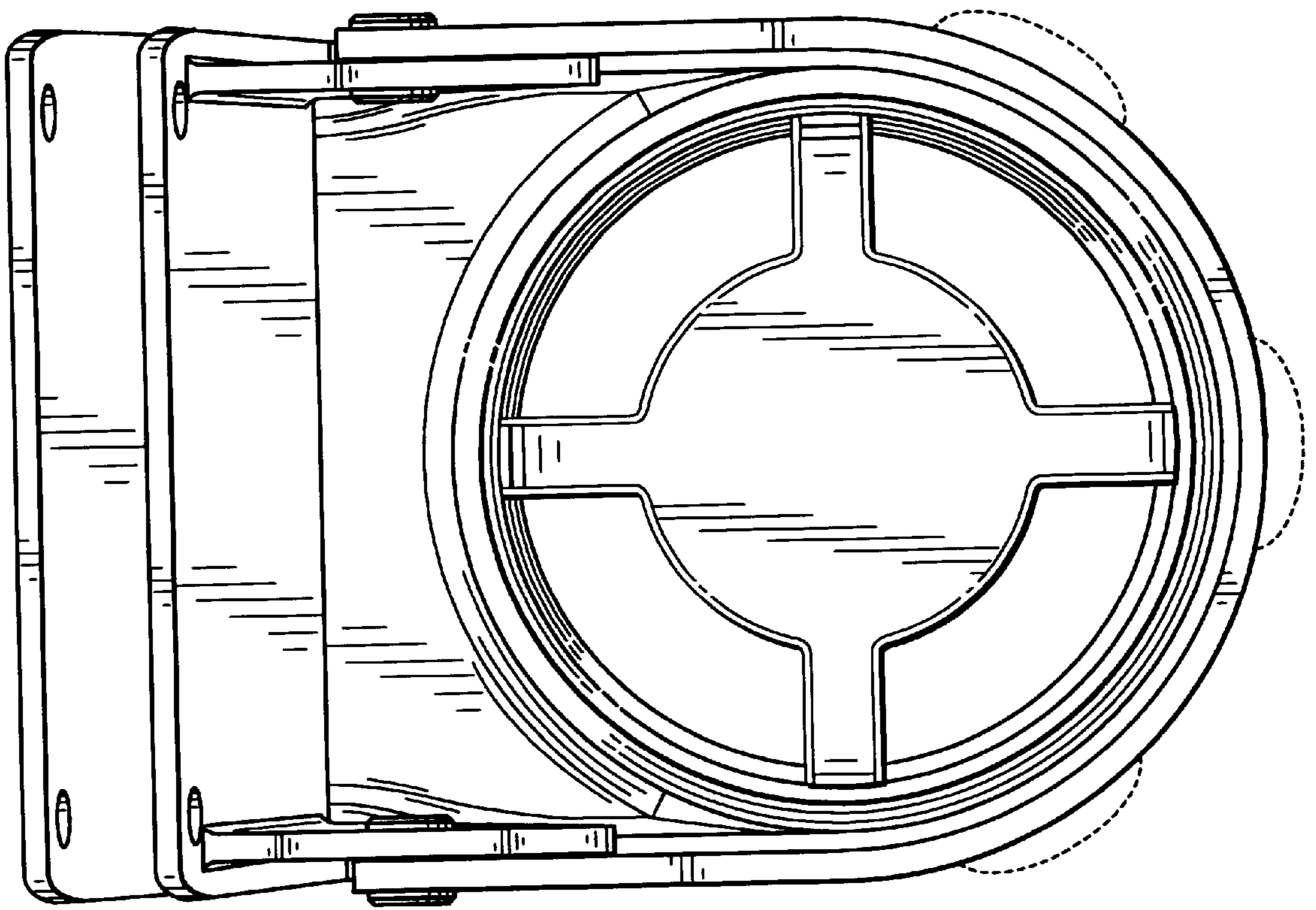


FIG. 6.

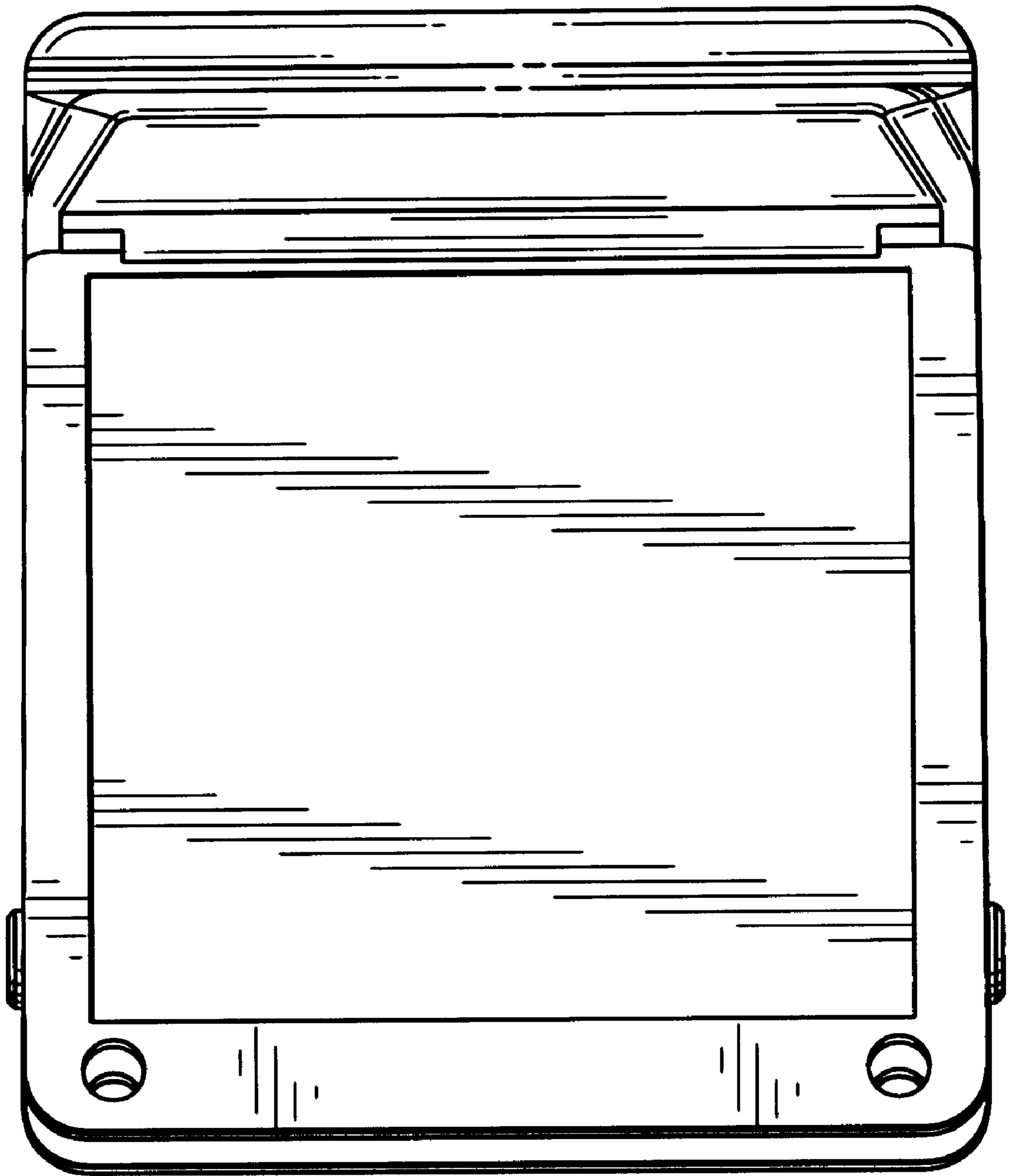


FIG. 7.