



US00D436799S

(12) **United States Design Patent**  
**Bellacicco**

(10) **Patent No.:** **US D436,799 S**

(45) **Date of Patent:** **\*\* Jan. 30, 2001**

(54) **EGG KNOT TWIST ROLL MAKER**

D. 371,146 \* 6/1996 Fischer et al. .... D15/139  
D. 371,374 \* 7/1996 Fischer et al. .... D15/139

(76) **Inventor:** **Joseph Bellacicco**, 95-01 43<sup>rd</sup> Ave.,  
Elmhurst, NY (US) 11373

\* cited by examiner

*Primary Examiner*—Caron D. Veynar  
(74) *Attorney, Agent, or Firm*—Collard & Roe, P.C.

(\*\*) **Term:** **14 Years**

(57) **CLAIM**

(21) **Appl. No.:** **29/106,283**

The ornamental design for an egg knot twist roll maker, as shown.

(22) **Filed:** **Jun. 11, 1999**

**DESCRIPTION**

(51) **LOC (7) Cl.** ..... **31-00**

(52) **U.S. Cl.** ..... **D7/387**

(58) **Field of Search** ..... D7/672, 682, 376,  
D7/381, 384, 387, 213; 99/509; 366/342,  
349; 241/291, 301; D15/122, 123, 127,  
135, 136, 138, 139

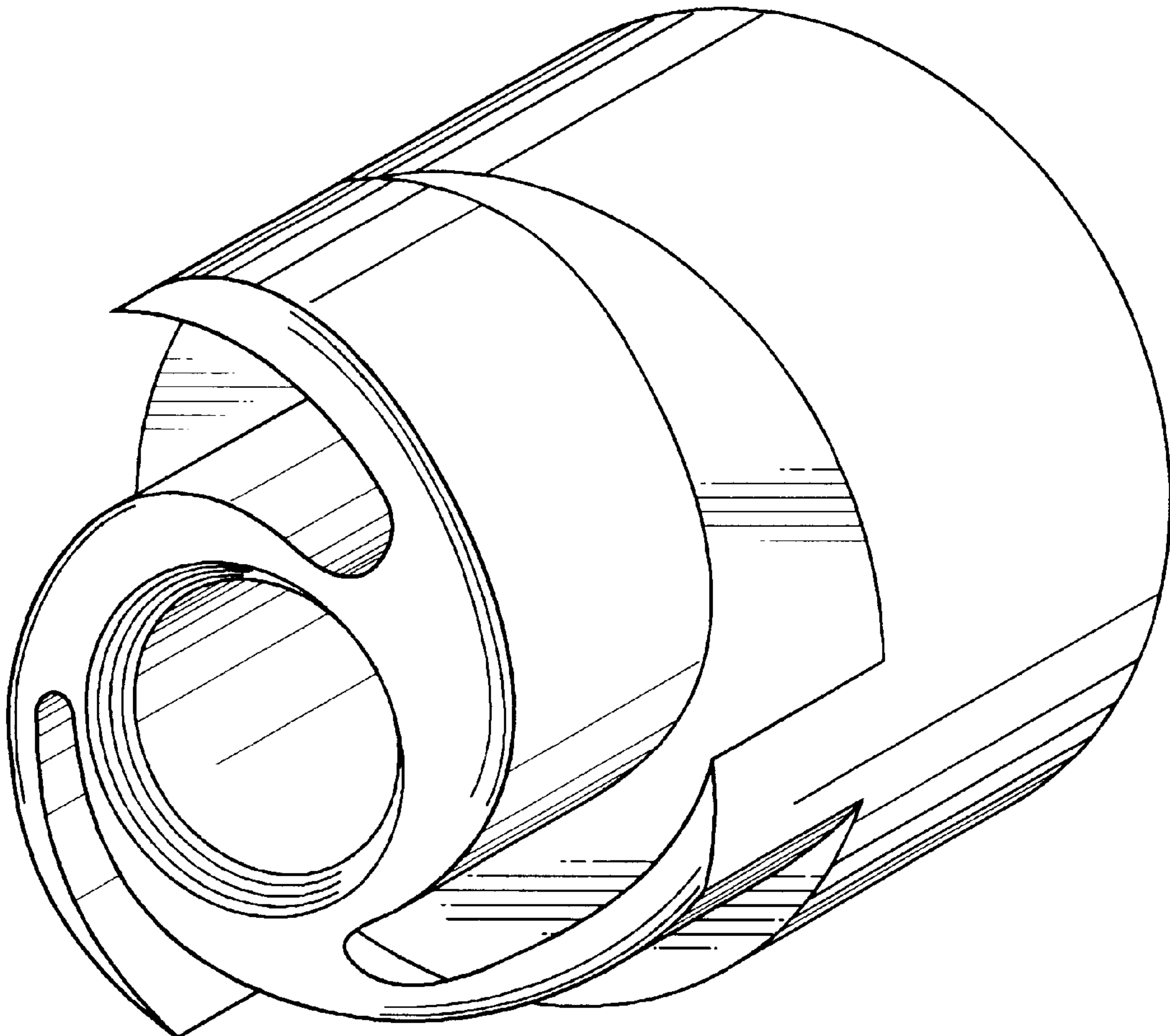
FIG. 1 is a front perspective view of the egg knot roll maker according to the invention;  
FIG. 2 is a side view of the egg knot roll maker according to the invention;  
FIG. 3 is an opposite side view of the egg knot roll maker according to the invention;  
FIG. 4 is a back perspective view of the egg knot roll maker according to the invention;  
FIG. 5 is a front view of the egg knot roll maker; and,  
FIG. 6 is a back view of the egg knot roll maker.

(56) **References Cited**

**U.S. PATENT DOCUMENTS**

D. 56,119 \* 8/1920 Crisenberry ..... D7/682

**1 Claim, 4 Drawing Sheets**



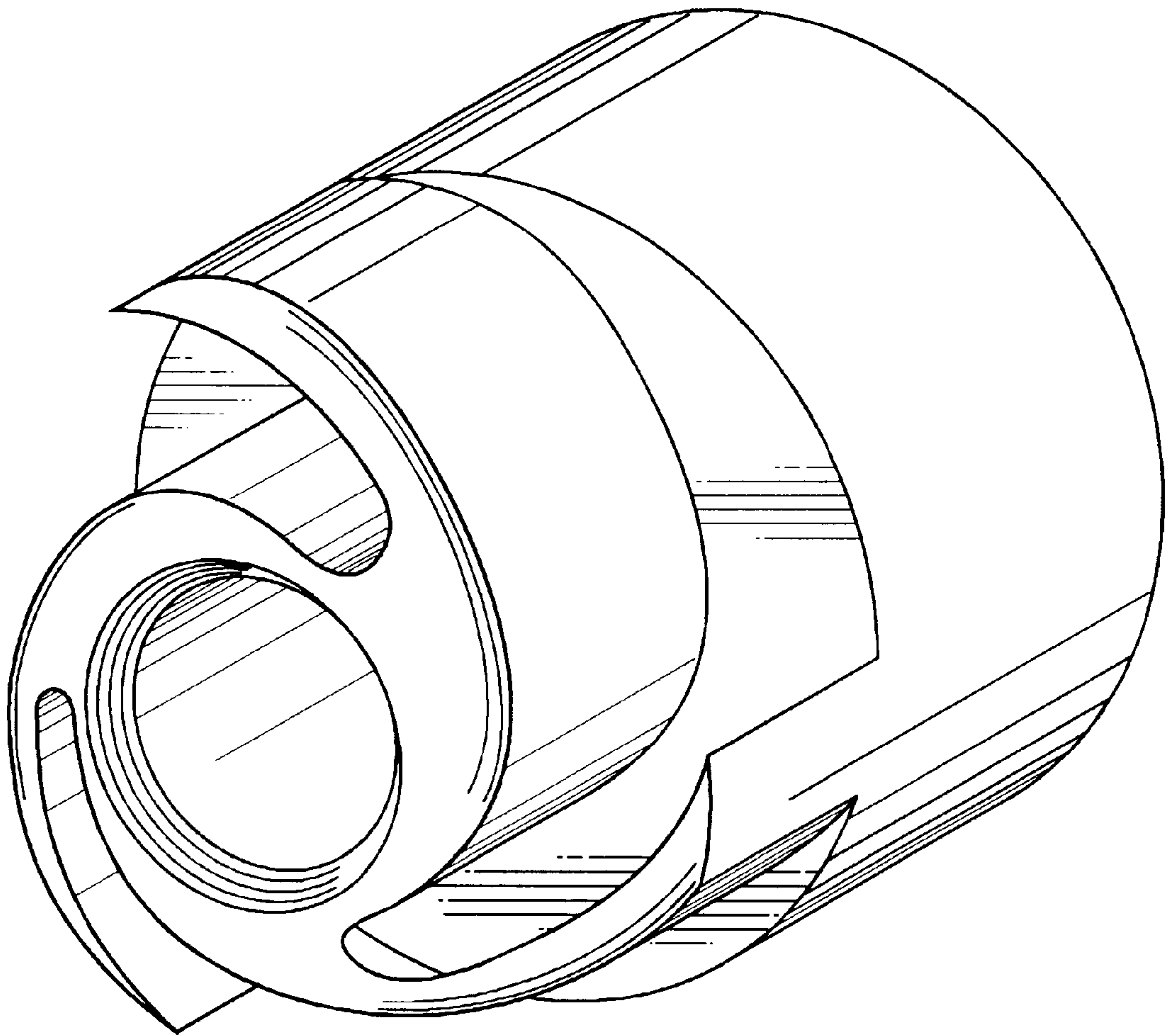


FIG. 1

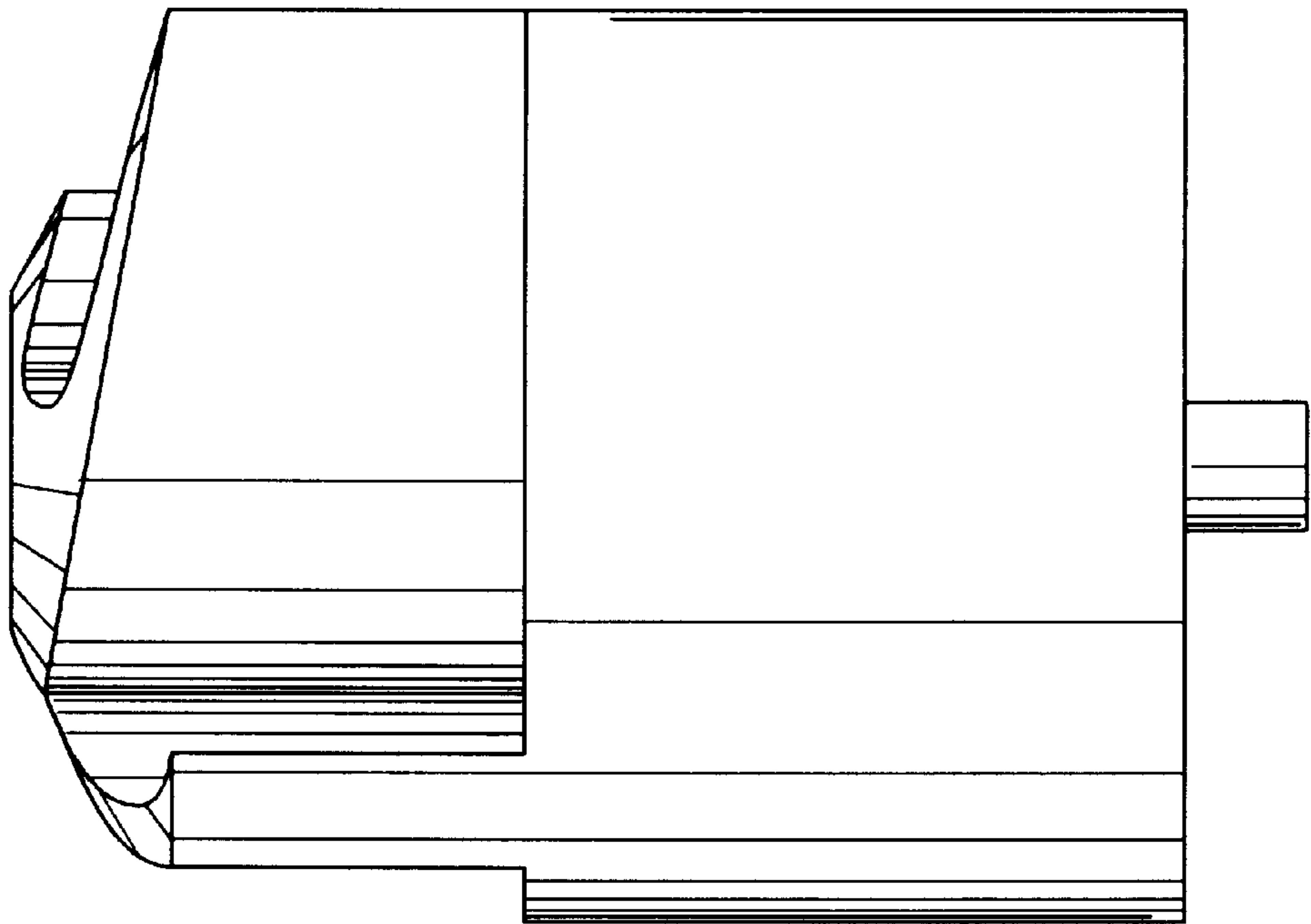


FIG. 2

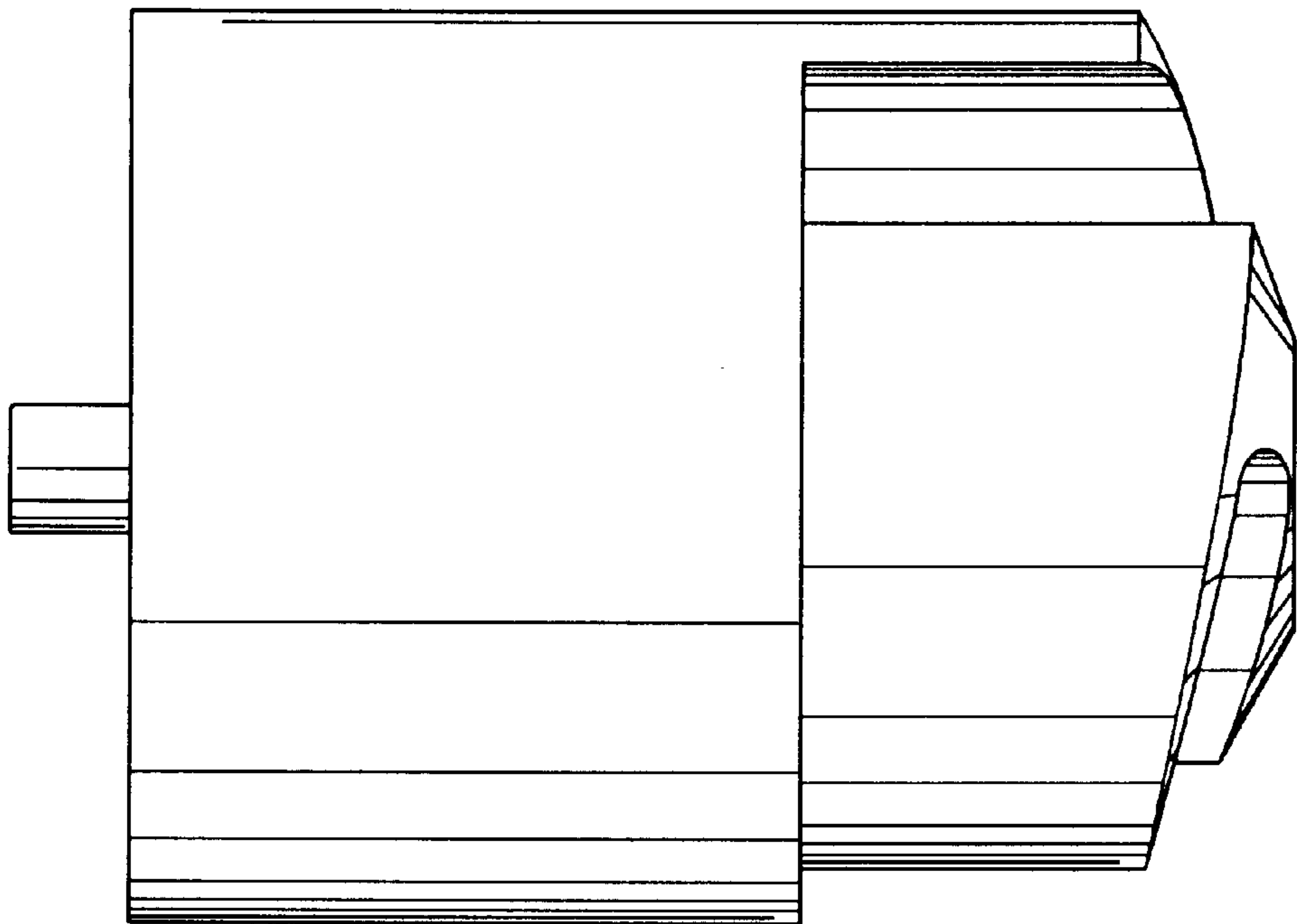


FIG. 3

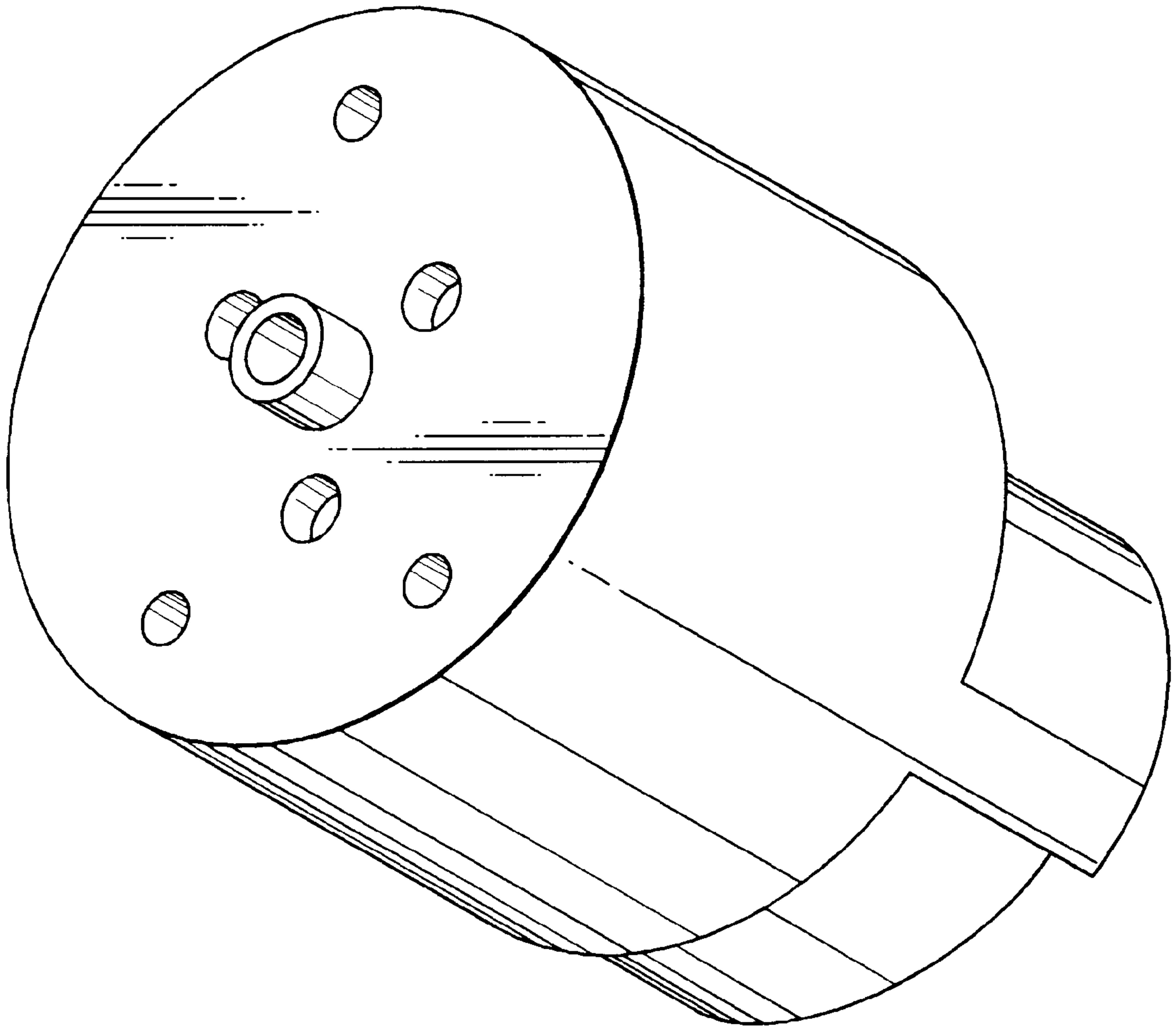


FIG. 4

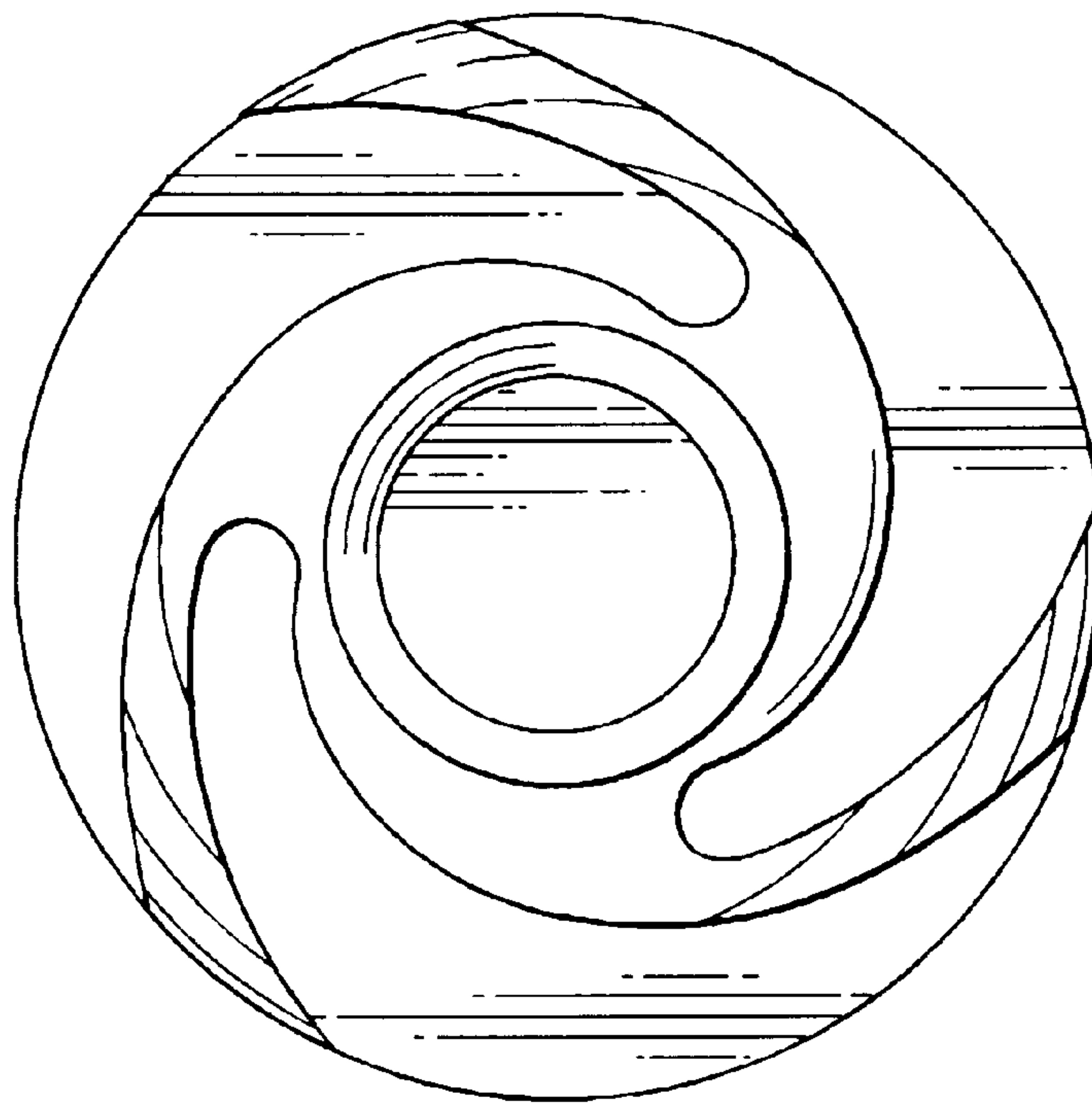


FIG. 5

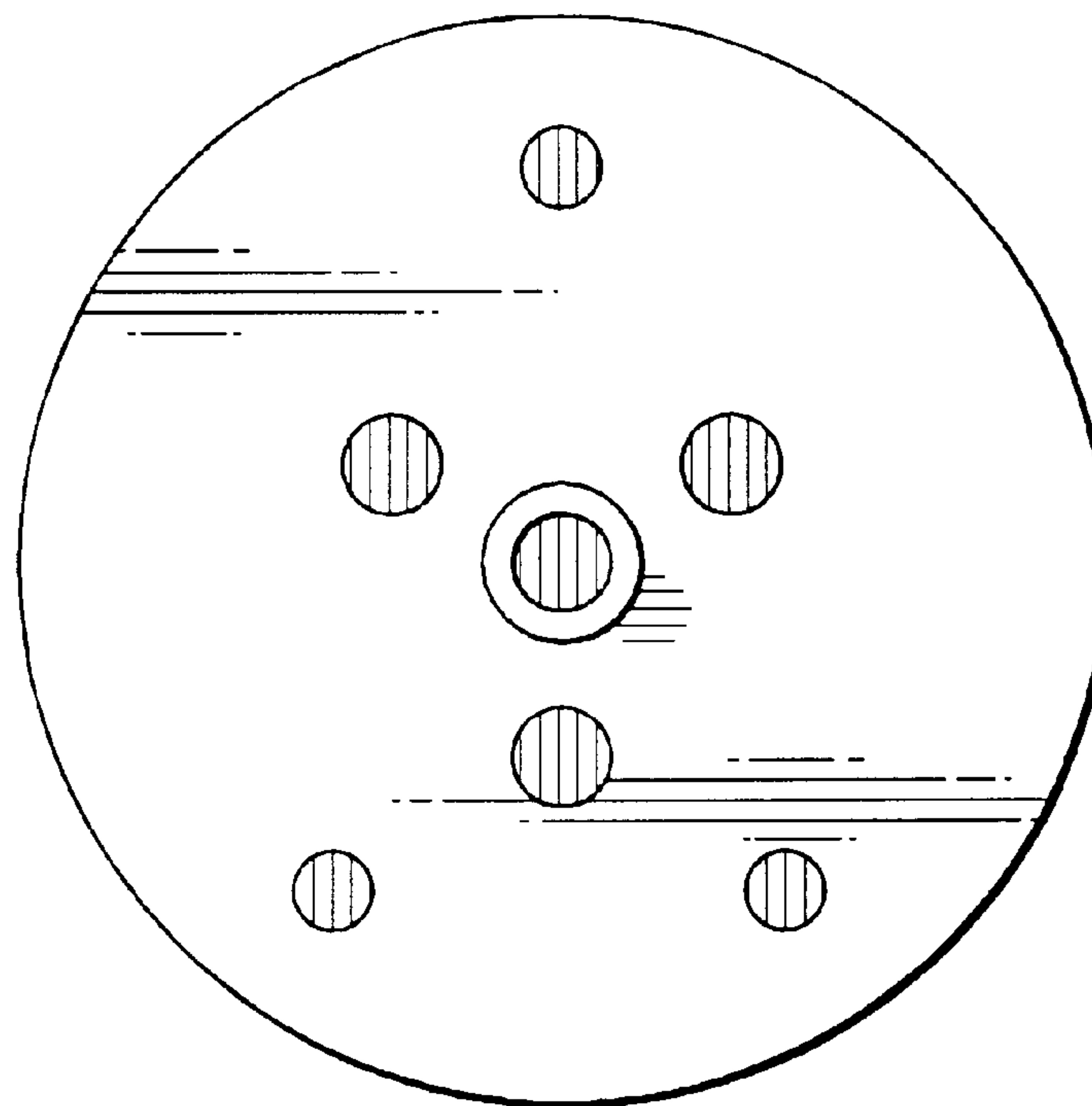


FIG. 6