



US00D436797S

(12) **United States Design Patent**
Huang et al.

(10) **Patent No.: US D436,797 S**

(45) **Date of Patent: ** Jan. 30, 2001**

(54) **TORTILLA WARMER OUTFITTED
ELECTRIC TABLETOP GRILL PLATE
APPLIANCE**

(75) Inventors: **Ming-Jen Huang**, San Gabriel, CA
(US); **Michael G. Hu**, Lockport, IL
(US)

(73) Assignee: **Tsann Kuenn USA, Inc.**, Pasadena, CA
(US)

(**) Term: **14 Years**

(21) Appl. No.: **29/116,607**

(22) Filed: **Jan. 6, 2000**

(51) **LOC (7) Cl. 07-02**

(52) **U.S. Cl. D7/363**

(58) **Field of Search** 99/392, 399, 401,
99/423, 443 R, 427, 338, 331, 442, 445-446,
450, 341; 219/450.1, 532-533, 429, 432,
443.1; D7/352, 357, 362-367, 332, 337,
402

(56) **References Cited**

U.S. PATENT DOCUMENTS

- D. 286,494 * 11/1986 Lastuck D7/363
- D. 377,579 * 1/1997 O'Brien et al. D7/359
- D. 380,342 * 7/1997 Edmonds D7/363
- D. 394,584 * 5/1998 Weber D7/363

- D. 424,367 * 5/2000 Choi D7/363
- D. 429,946 * 8/2000 Lee D7/362
- D. 431,411 * 10/2000 Chang D7/362
- 4,664,025 * 5/1987 Martinez 99/331
- 5,501,141 * 3/1996 Mendez et al. 99/426
- 5,970,858 * 10/1999 Boehm et al. 99/446
- 6,024,014 * 2/2000 Kasai 99/425

OTHER PUBLICATIONS

Hammacher Schlemmer & Company, Spring Supplement
1986, "The Best Electric Griddle" (bottom of page).*

* cited by examiner

Primary Examiner—Ruth McInroy

(74) *Attorney, Agent, or Firm*—Loyal McKinley Hanson

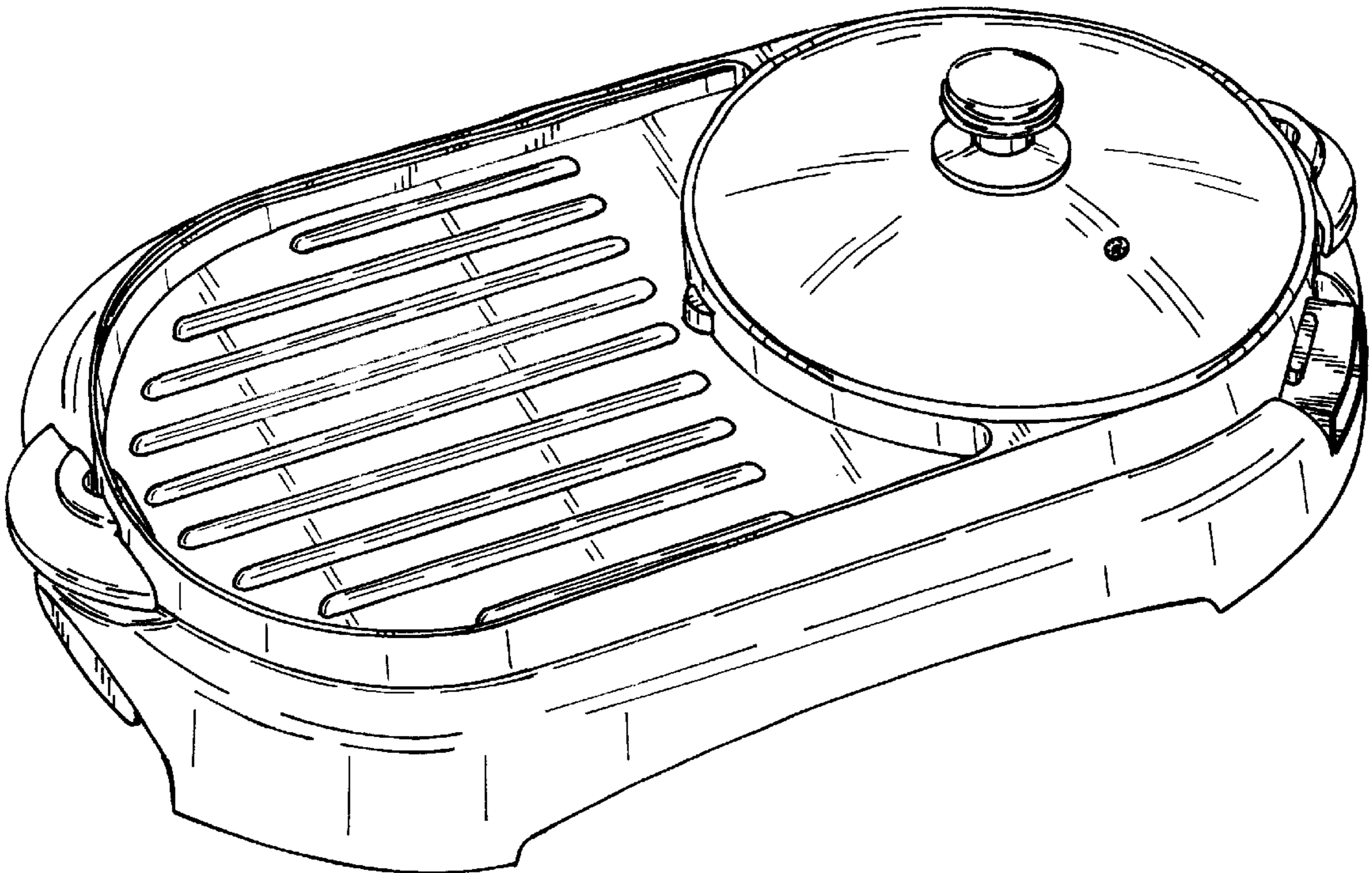
(57) **CLAIM**

We claim the ornamental design for a tortilla warmer out-
fitted electric tabletop grill plate appliance, as shown.

DESCRIPTION

FIG. 1 is an isometric view of a showing our new design;
FIG. 2 is a top view thereof;
FIG. 3 is a bottom view thereof;
FIG. 4 is a right side view thereof;
FIG. 5 is a left side view thereof;
FIG. 6 is a front view thereof; and,
FIG. 7 is a back view thereof.

1 Claim, 3 Drawing Sheets



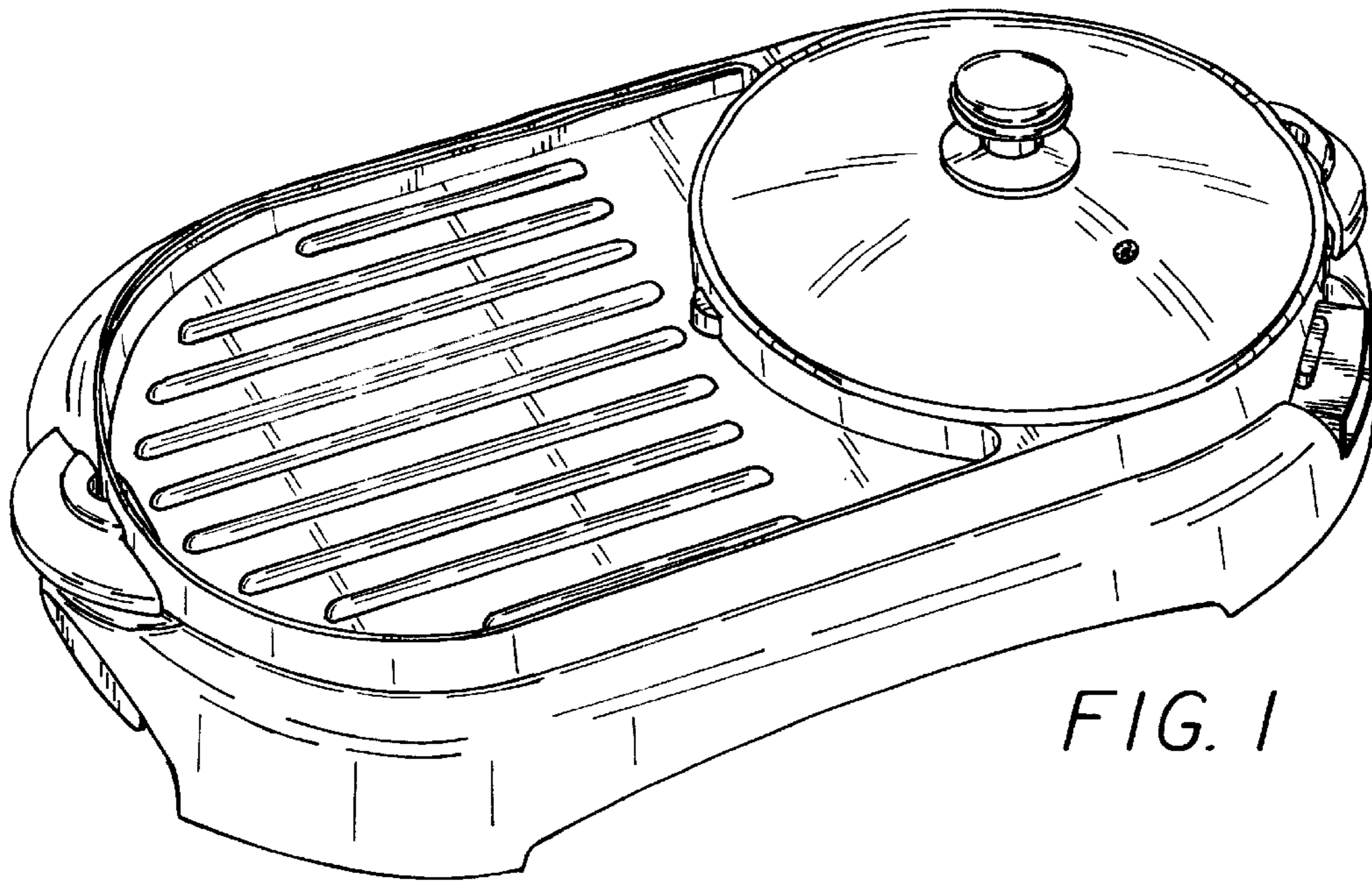
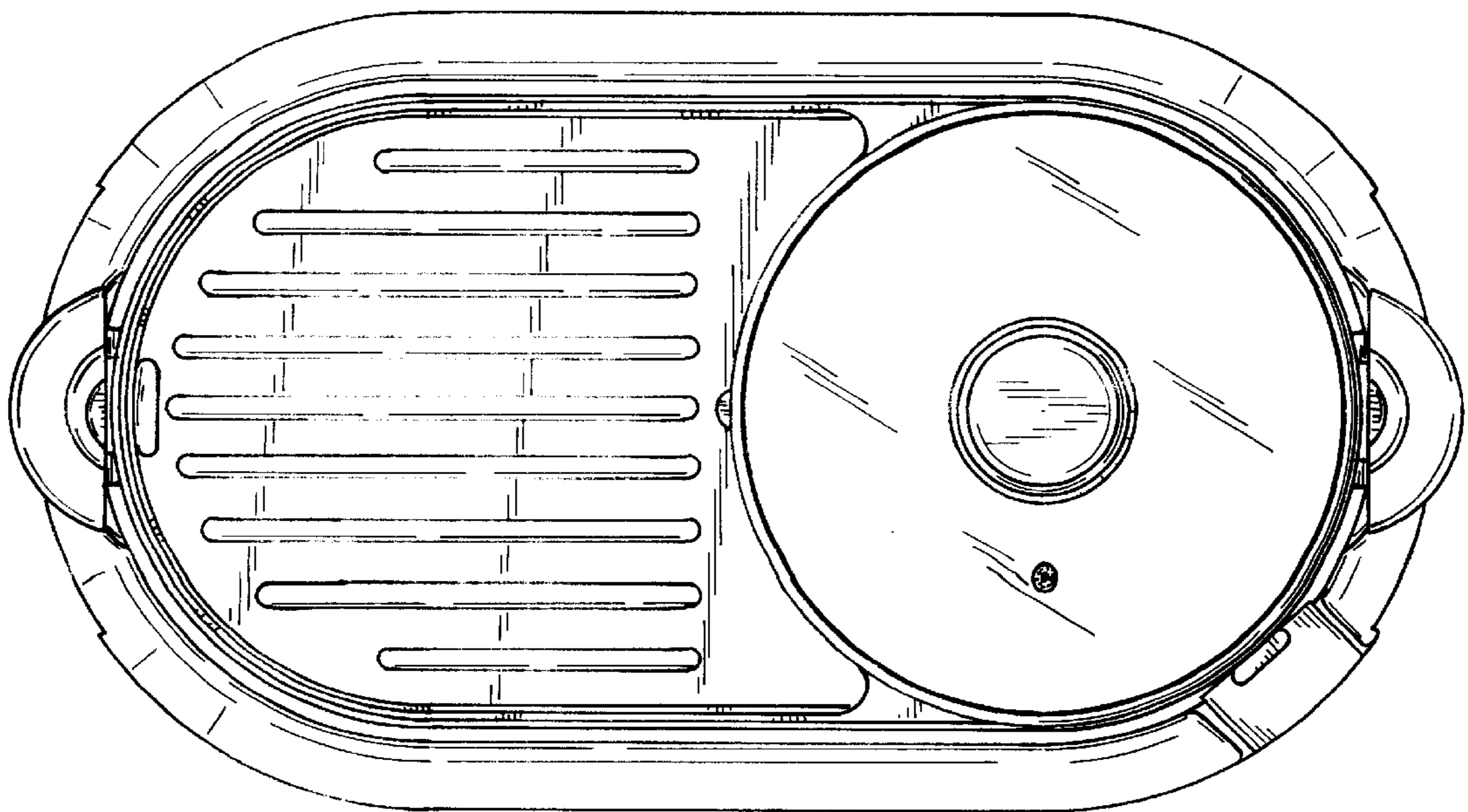


FIG. 1

FIG. 2



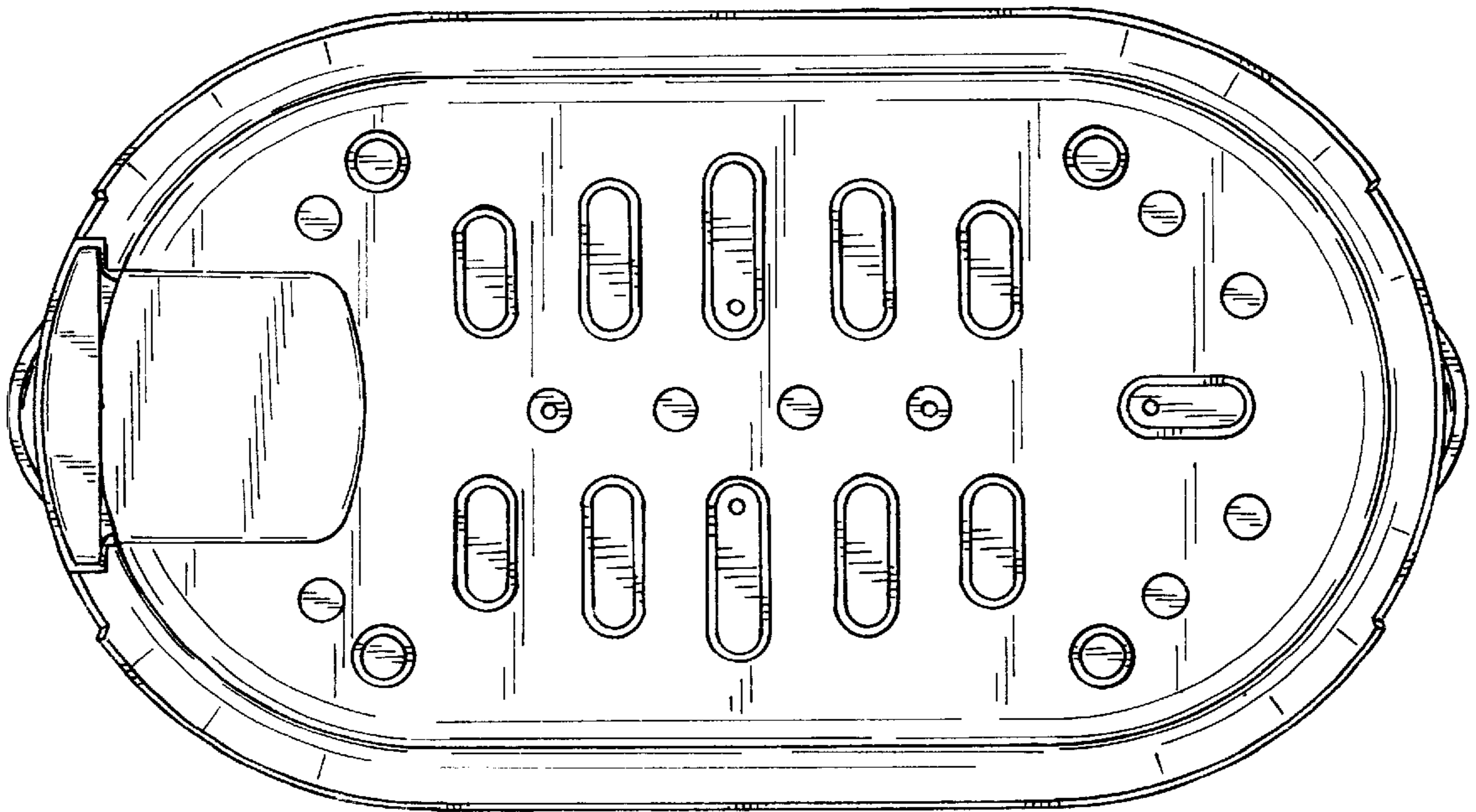


FIG. 3

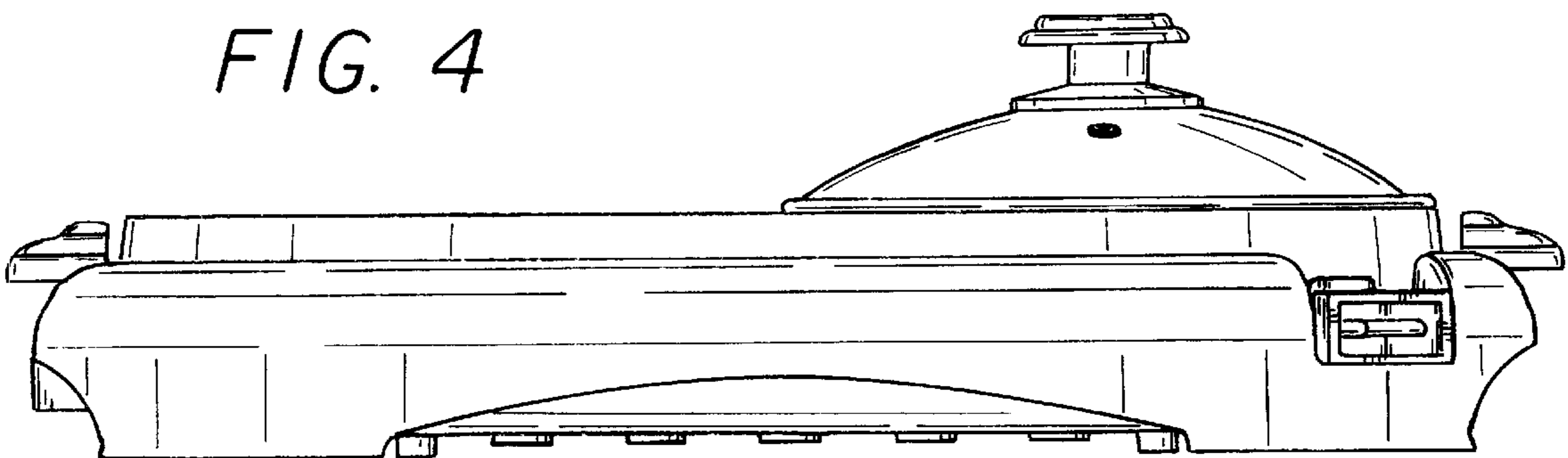


FIG. 4

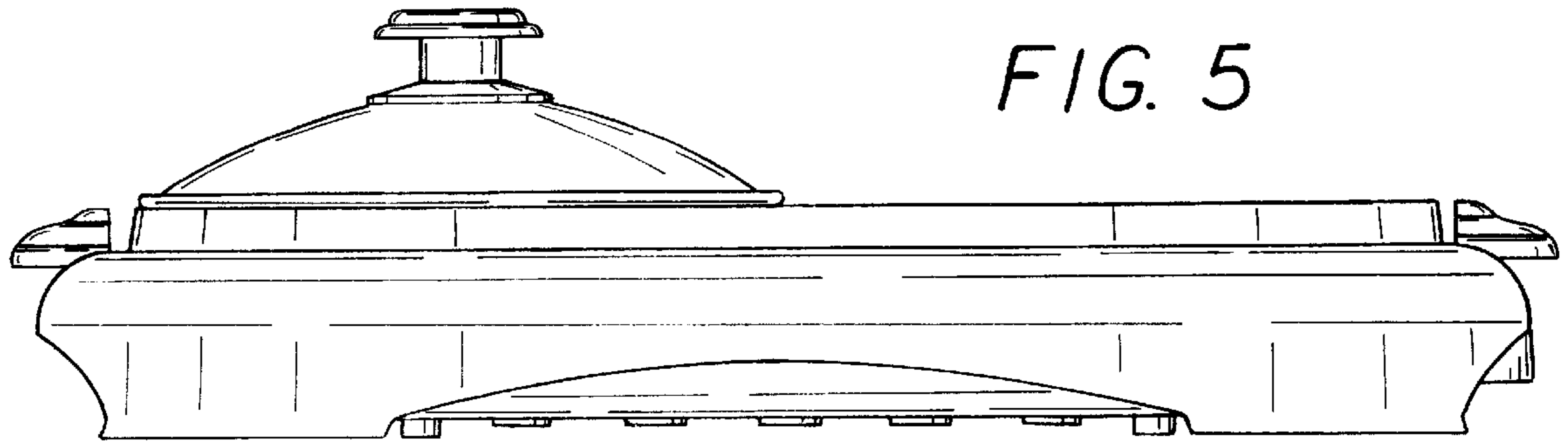


FIG. 5

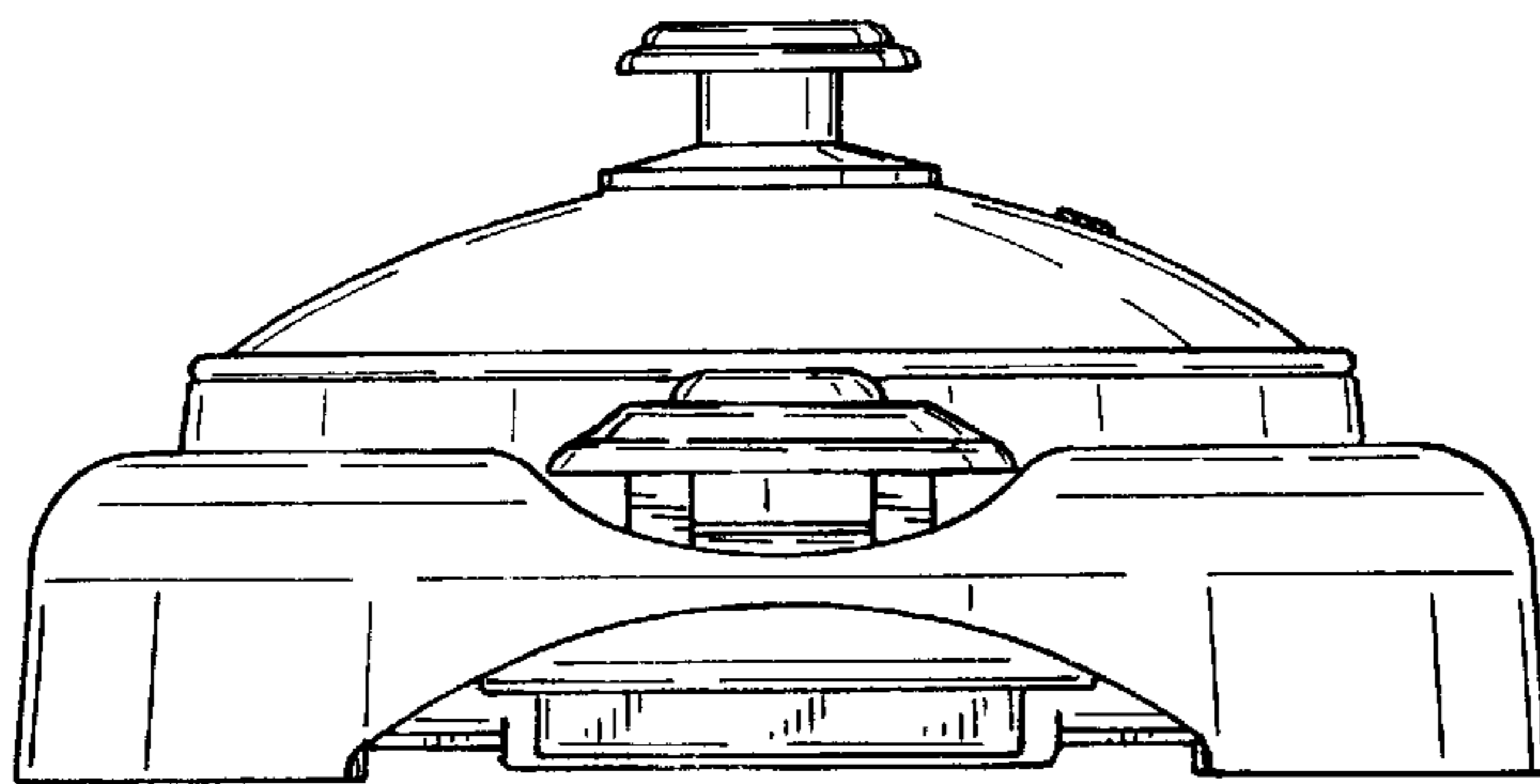


FIG. 6

FIG. 7

