



US00D436794S

(12) **United States Design Patent**
McClellan

(10) **Patent No.:** **US D436,794 S**

(45) **Date of Patent:** **** Jan. 30, 2001**

(54) **SANDWICH TOASTER**

(75) Inventor: **John W. McClellan**, Roselands (AU)

(73) Assignee: **Breville Pty Ltd.**, Botany (AU)

(**) Term: **14 Years**

(21) Appl. No.: **29/122,688**

(22) Filed: **May 2, 2000**

(51) **LOC (7) Cl.** **07-02**

(52) **U.S. Cl.** **D7/352**

(58) **Field of Search** D7/323, 328, 337,
D7/352, 362, 363, 367; 99/324, 325, 339,
340, 349, 372, 378

(56) **References Cited**

U.S. PATENT DOCUMENTS

D. 190,008	*	3/1961	Rioux	D7/328
D. 213,931	*	4/1969	Bardeau	D7/352
D. 232,012	*	7/1974	Bardeau	D7/352
D. 369,269	*	4/1996	Labadia Del Fresno	D7/352
D. 405,312		2/1999	Hoare	D7/352

OTHER PUBLICATIONS

Sunbeam Sandwich Makers and Grills—Models GR6200 and GR6400 Brochure (undated).

* cited by examiner

Primary Examiner—Caron D. Veynar

(74) *Attorney, Agent, or Firm*—Dority & Manning, P.A.

(57) **CLAIM**

The ornamental design of a sandwich toaster, substantially as shown and described.

DESCRIPTION

FIG. 1 is a perspective view of a sandwich toaster.

FIG. 2 is a top plan view of the sandwich toaster seen in FIG. 1.

FIG. 3 is a front elevation view of the sandwich toaster seen in FIG. 1.

FIG. 4 is a bottom plan view of the sandwich toaster seen in FIG. 1.

FIG. 5 is a rear elevation view of the sandwich toaster seen in FIG. 1.

FIG. 6 is a right side view of the sandwich toaster seen in FIG. 1.

FIG. 7 is a right side view illustrating the sandwich toaster design in a partly open position; and,

FIG. 8 is a side view illustrating the sandwich toaster design in a fully open position.

The regions represented by broken lines indicate environmental structure and forms no part of the claimed invention.

1 Claim, 4 Drawing Sheets

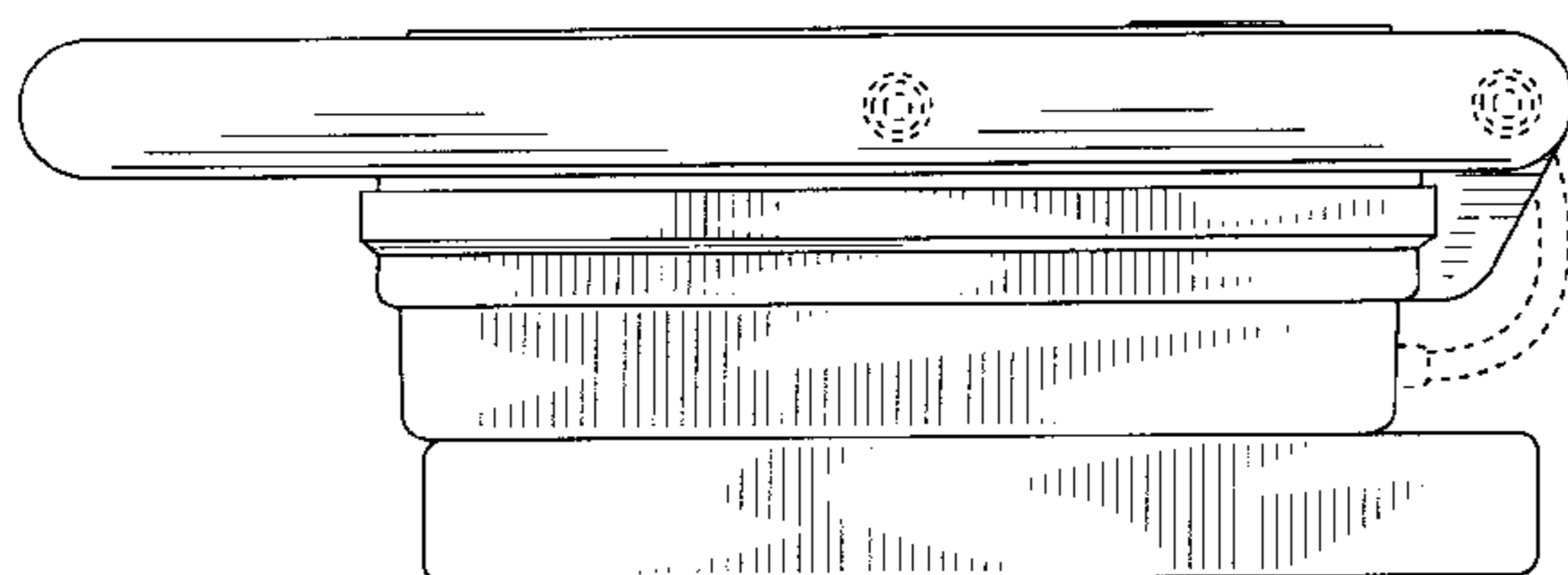
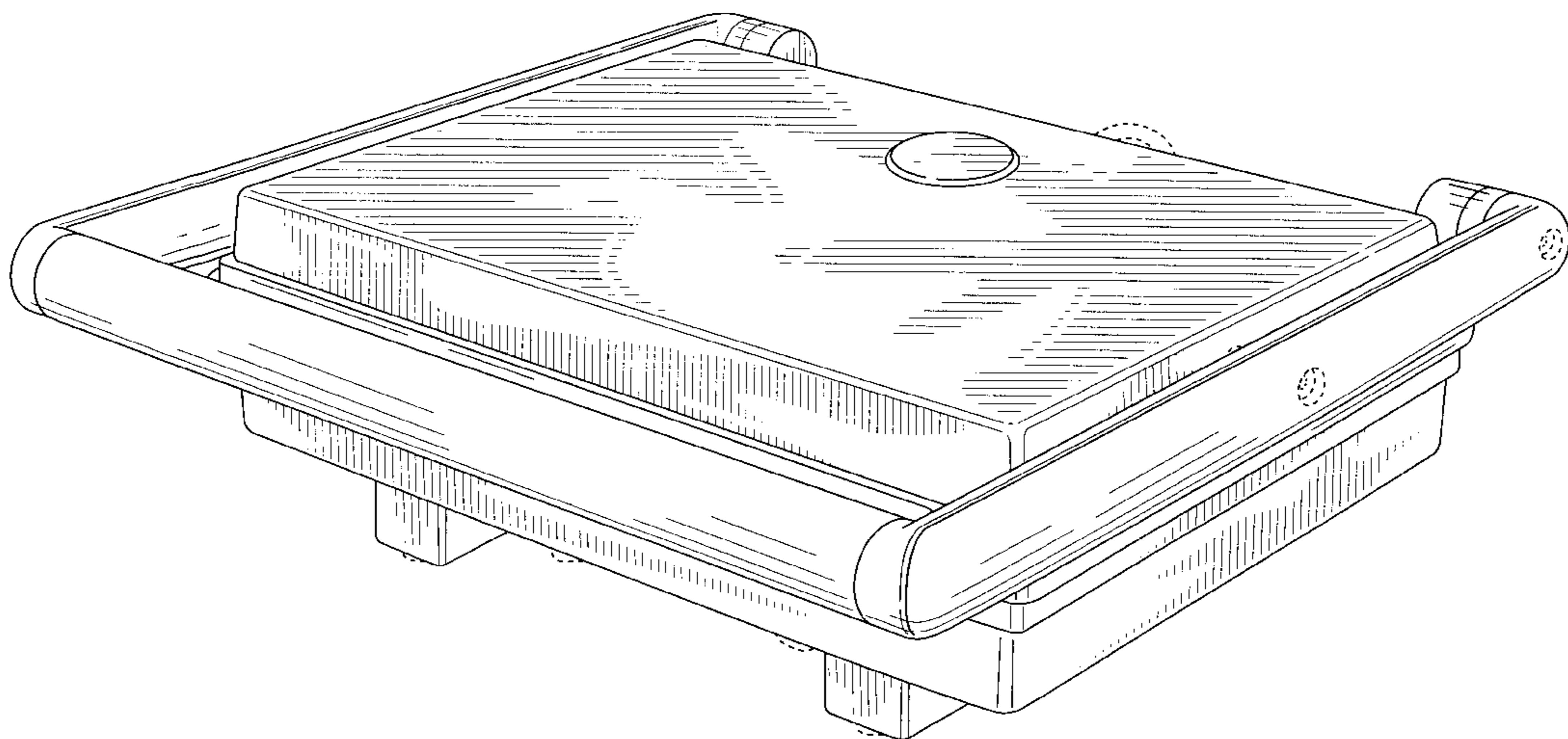
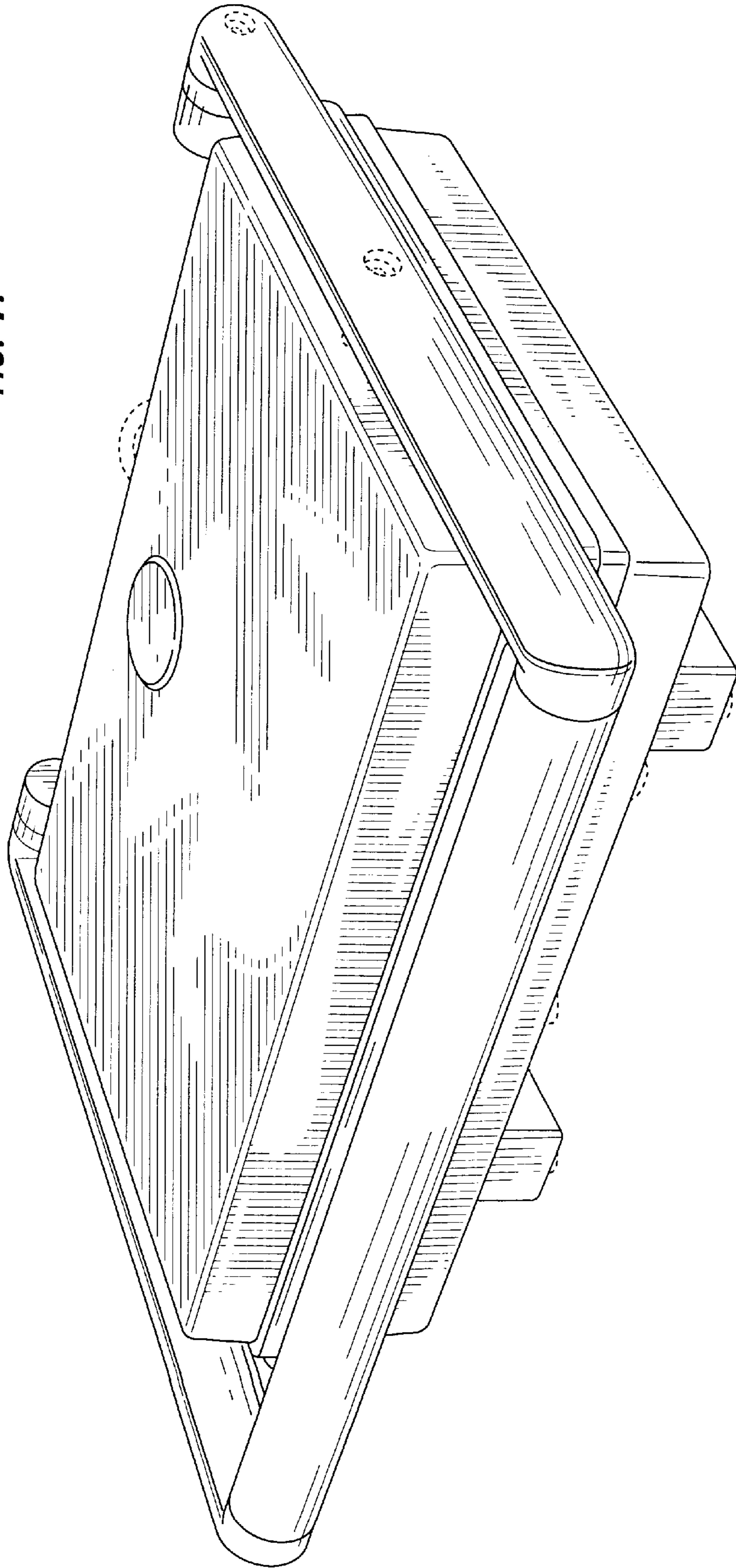


FIG. 1.



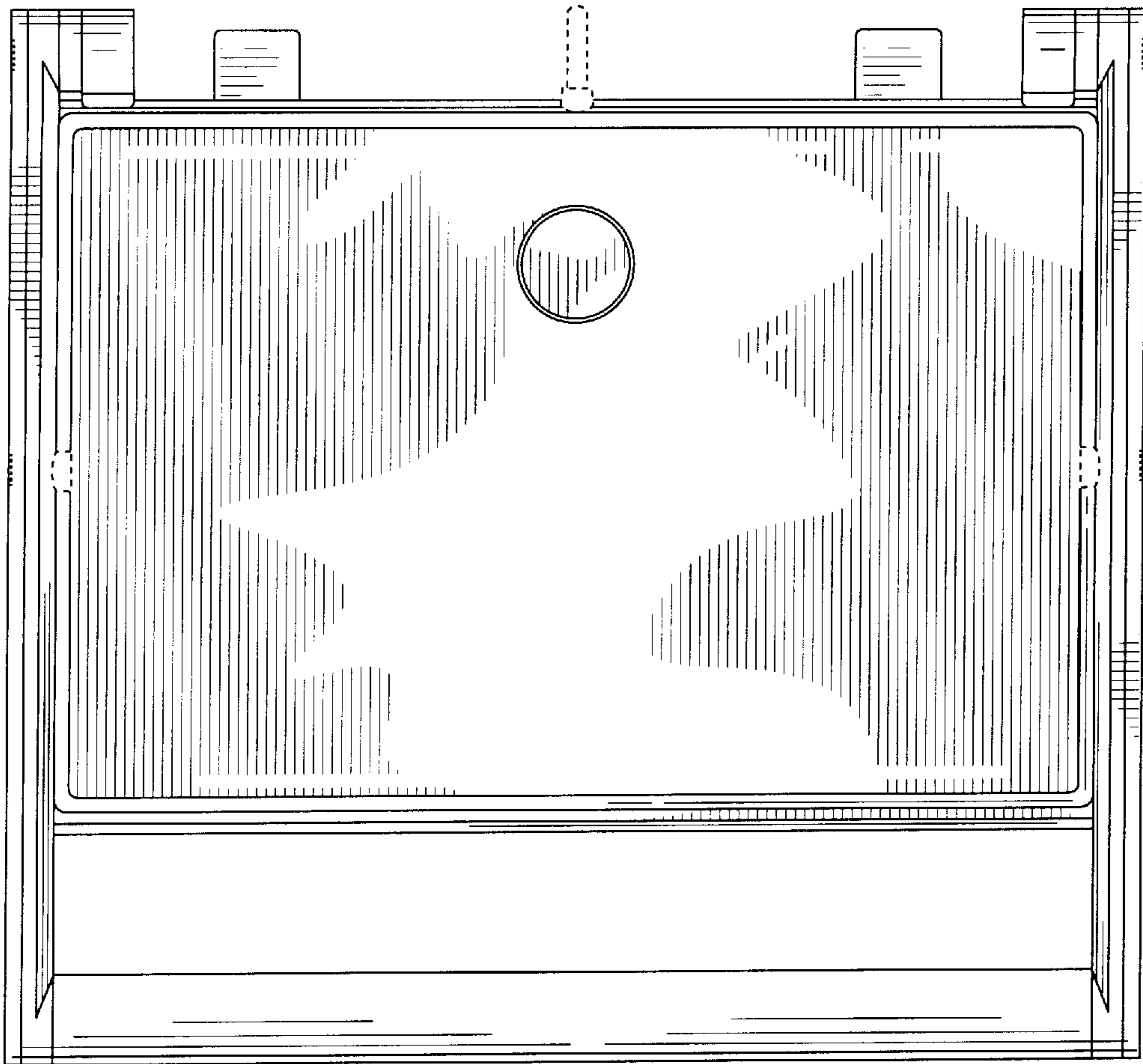


FIG. 2.

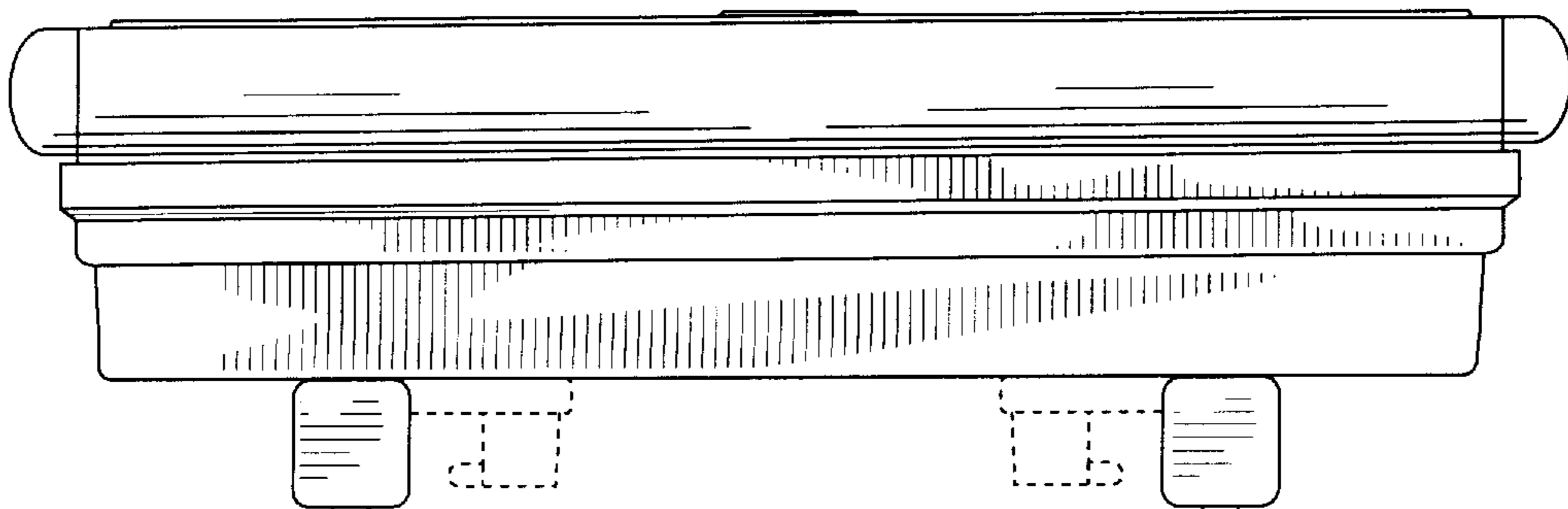


FIG. 3.

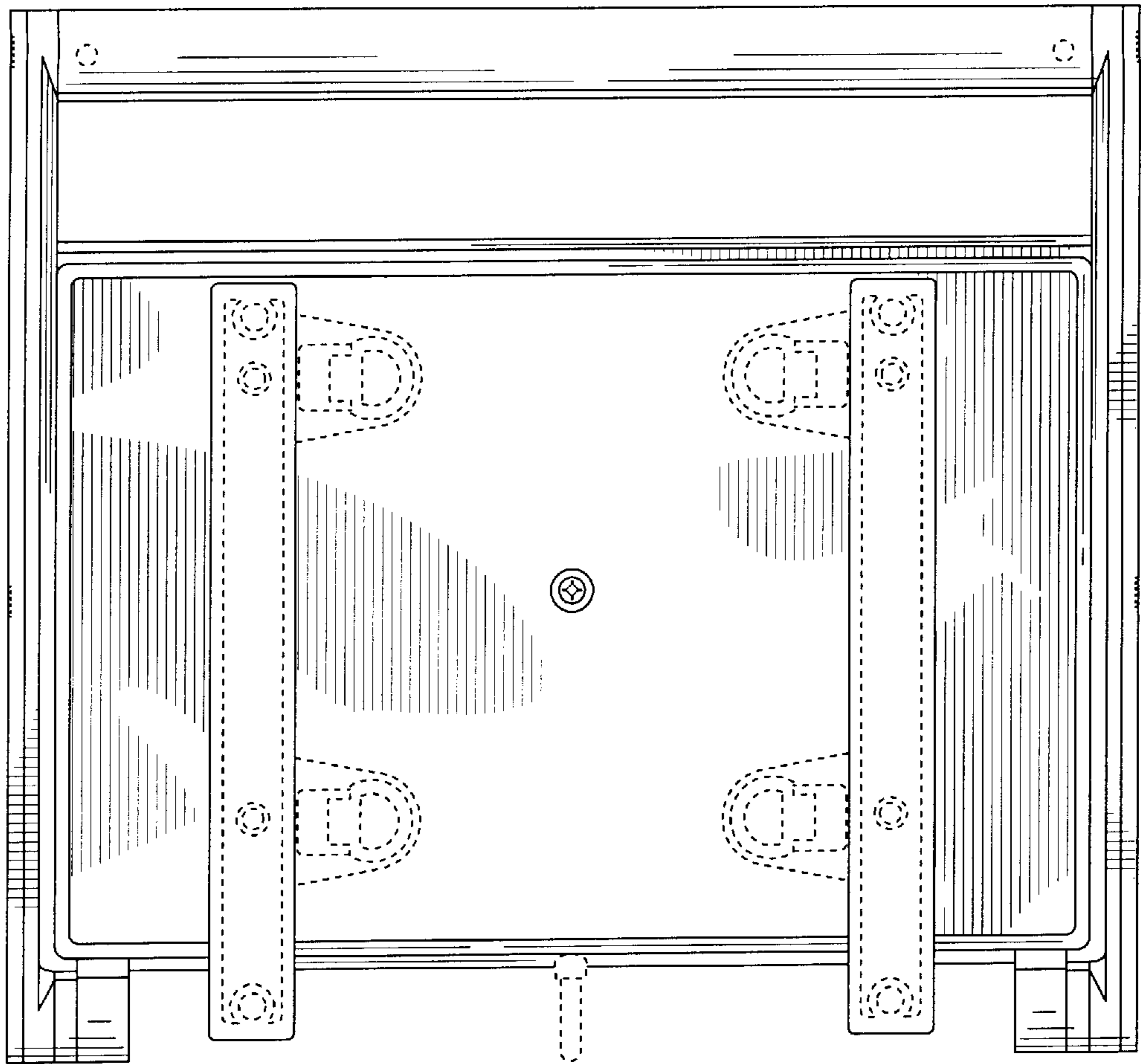


FIG. 4.

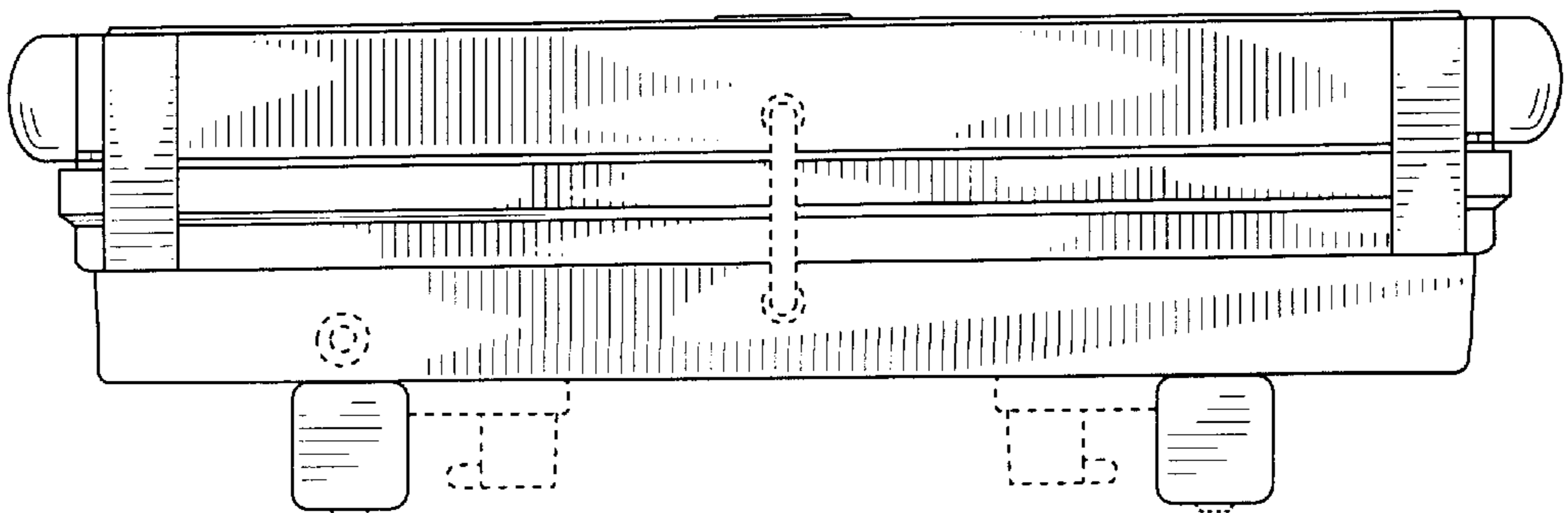


FIG. 5.

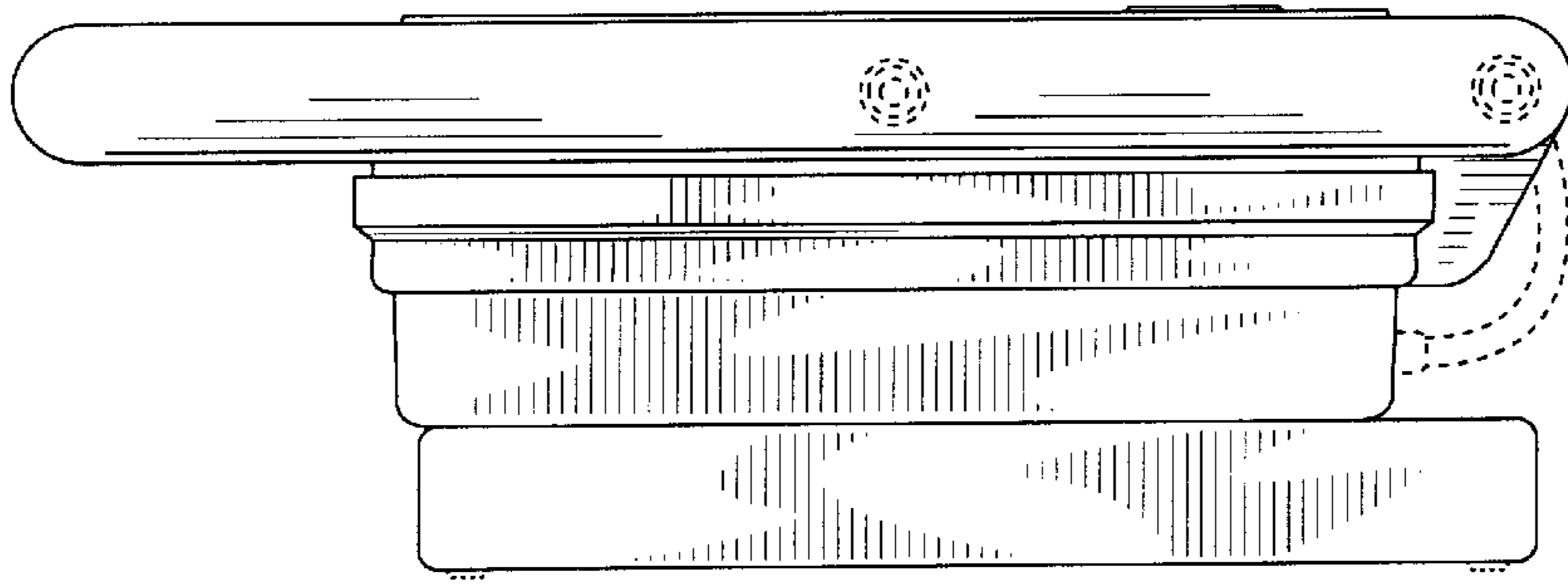


FIG. 6.

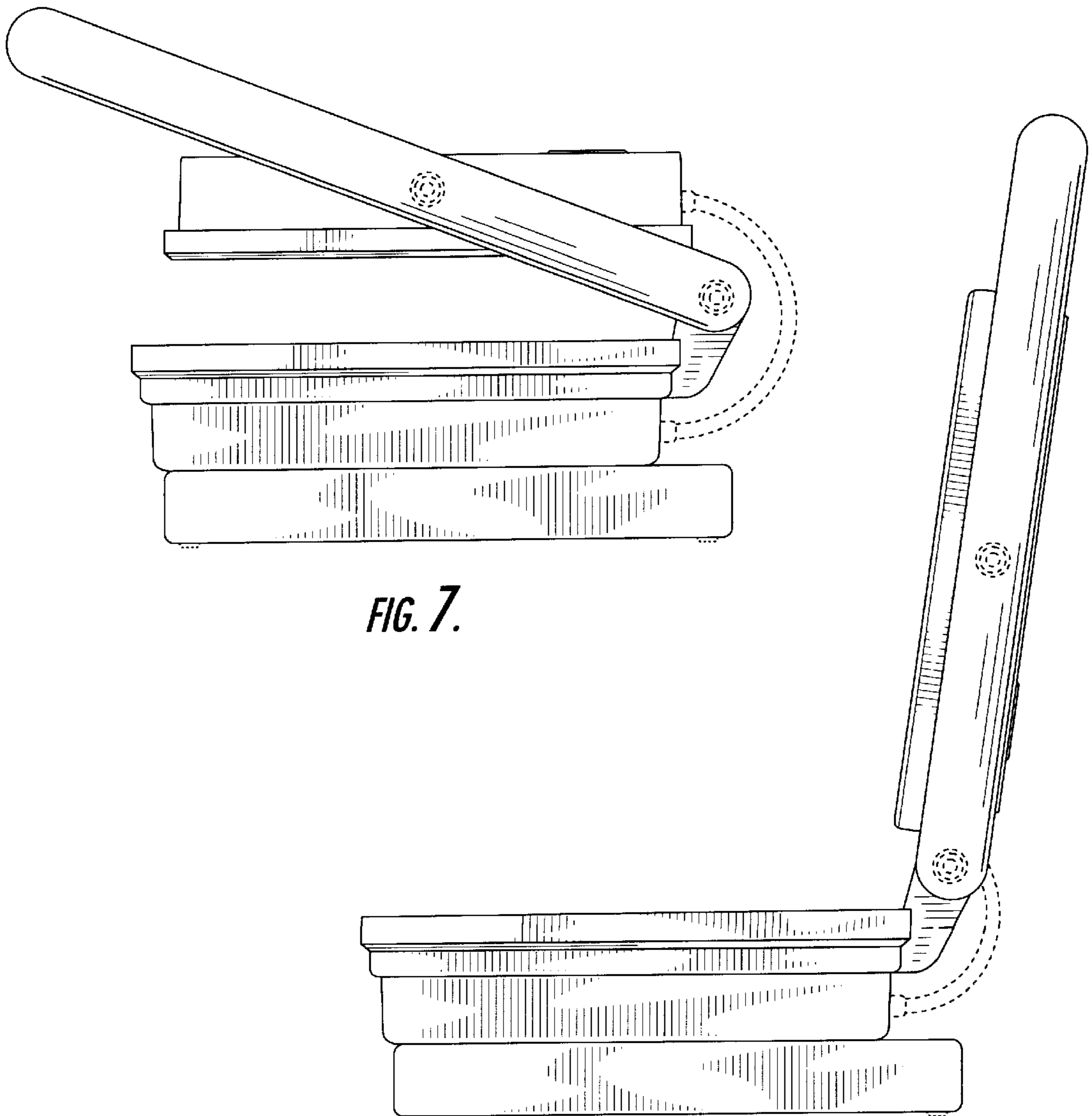


FIG. 7.

FIG. 8.