



US00D436787S

(12) **United States Design Patent**
London

(10) **Patent No.: US D436,787 S**

(45) **Date of Patent: ** Jan. 30, 2001**

(54) **MULTI-MEDIA STORAGE TOWER**

(76) Inventor: **Aaron London**, 11612 Rabaul Dr.,
Cypress, CA (US) 90630

(**) Term: **14 Years**

(21) Appl. No.: **29/116,554**

(22) Filed: **Jan. 5, 2000**

Related U.S. Application Data

(63) Continuation-in-part of application No. 29/113,241, filed on
Nov. 1, 1999.

(51) **LOC (7) Cl. 06-04**

(52) **U.S. Cl. D6/630; D6/459; D6/473**

(58) **Field of Search D6/407, 626-630,**
D6/462-468, 455, 410, 411, 457-461, 474,
442, 473; D19/90, 92; 312/9.1-9.64; D32/55,
58; 211/40, 41.1, 41.2, 41.3, 41.4, 42, 41.12,
34, 41.18, 37; 206/307.1, 307, 308.1, 445,
387.15, 454, 387.1

(56) **References Cited**

U.S. PATENT DOCUMENTS

D. 148,859	*	3/1948	Irwin	D6/460
D. 163,315	*	5/1951	Newton	D6/459
D. 185,763	*	7/1959	King, Jr.	D6/459
D. 199,655	*	11/1964	Pacelli	D6/460
D. 250,301	*	11/1978	Handler et al.	D6/442
D. 283,862	*	5/1986	Edson et al.	D6/473
D. 382,420	*	8/1997	Woodward	D6/457
D. 389,339	*	1/1998	Garafano, Jr.	D6/459
D. 395,569	*	6/1998	Hamada	D6/629
D. 400,737	*	11/1998	DePottet et al.	D6/468
D. 427,475	*	7/2000	Hwang	D6/630

* cited by examiner

Primary Examiner—Jeffrey Asch

(74) *Attorney, Agent, or Firm*—Bryan Cave LLP

(57) **CLAIM**

I claim the ornamental design for the multi-media storage tower, as shown and described.

DESCRIPTION

FIG. 1 is a front view of a single multi-media storage tower design showing my new design;

FIG. 2 is a back view of the multi-media storage tower design of FIG. 1;

FIG. 3 is a left side view of the multi-media storage tower design of FIG. 1;

FIG. 4 is a right side view of the multi-media storage tower design of FIG. 1;

FIG. 5 is a top view of the multi-media storage tower design of FIG. 1;

FIG. 6 is a bottom view of the multi-media storage tower design of FIG. 1;

FIG. 7 is a perspective view of the multi-media storage tower design of FIG. 1;

FIG. 8 is a front view of the multi-media storage tower design of FIGS. 1-7 with two identical storage modules of the design connected together;

FIG. 9 is a back view of the connected multi-media storage tower design of FIG. 8;

FIG. 10 is a top view of the connected multi-media storage tower design of FIG. 8;

FIG. 11 is a bottom view of the connected multi-media storage tower design of FIG. 8;

FIG. 12 is a perspective view of the connected multi-media storage tower design of FIG. 8;

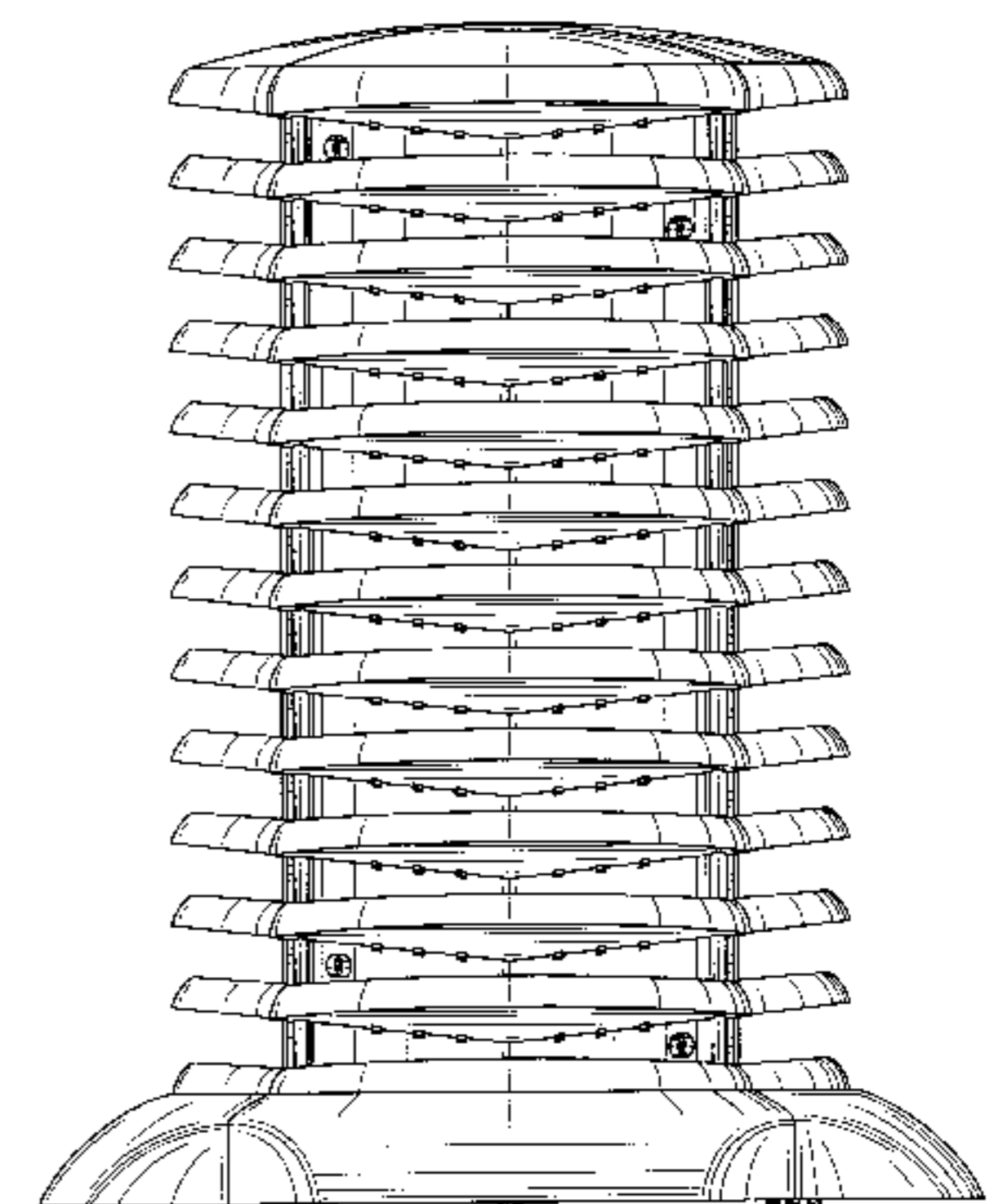
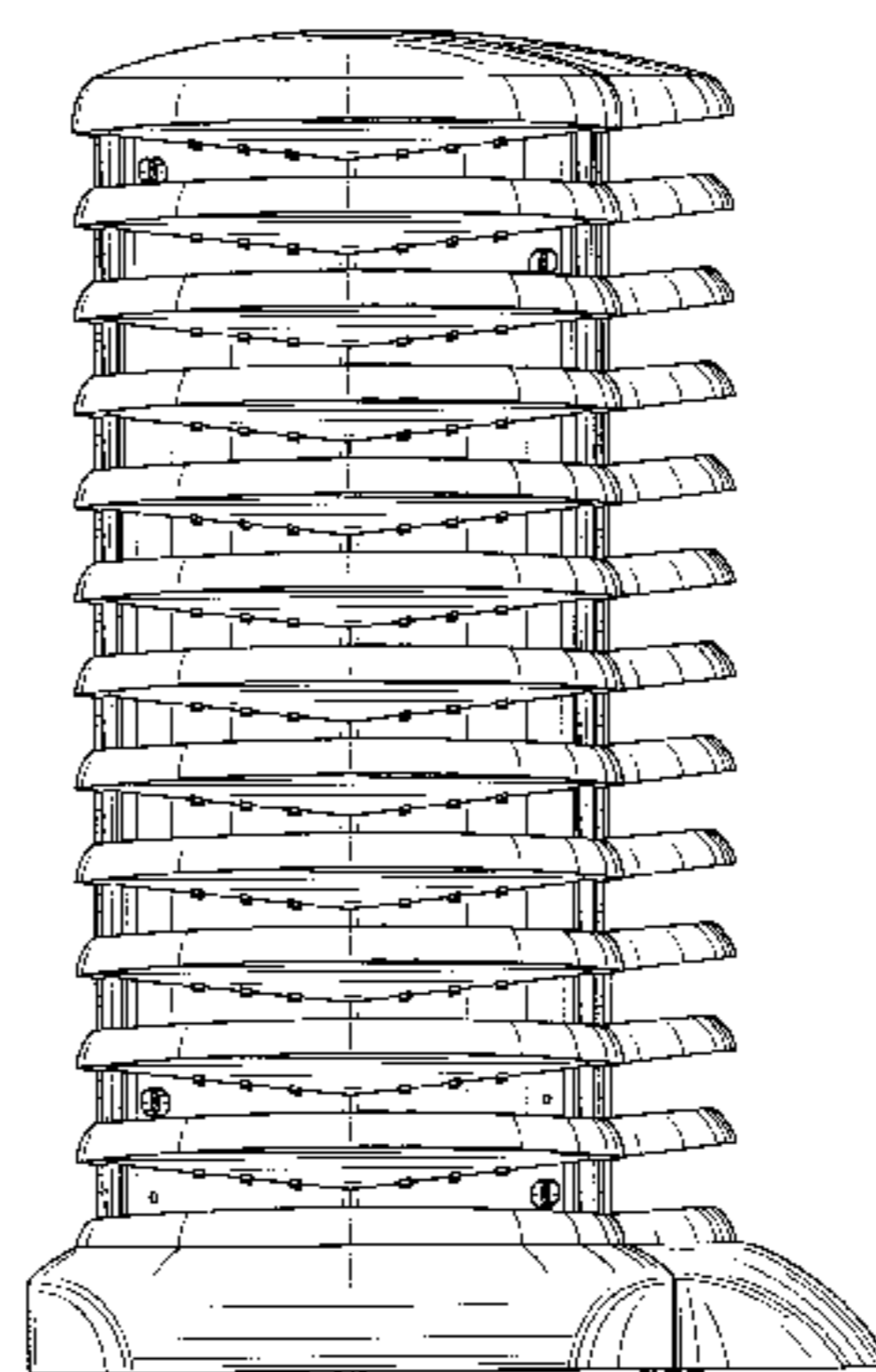
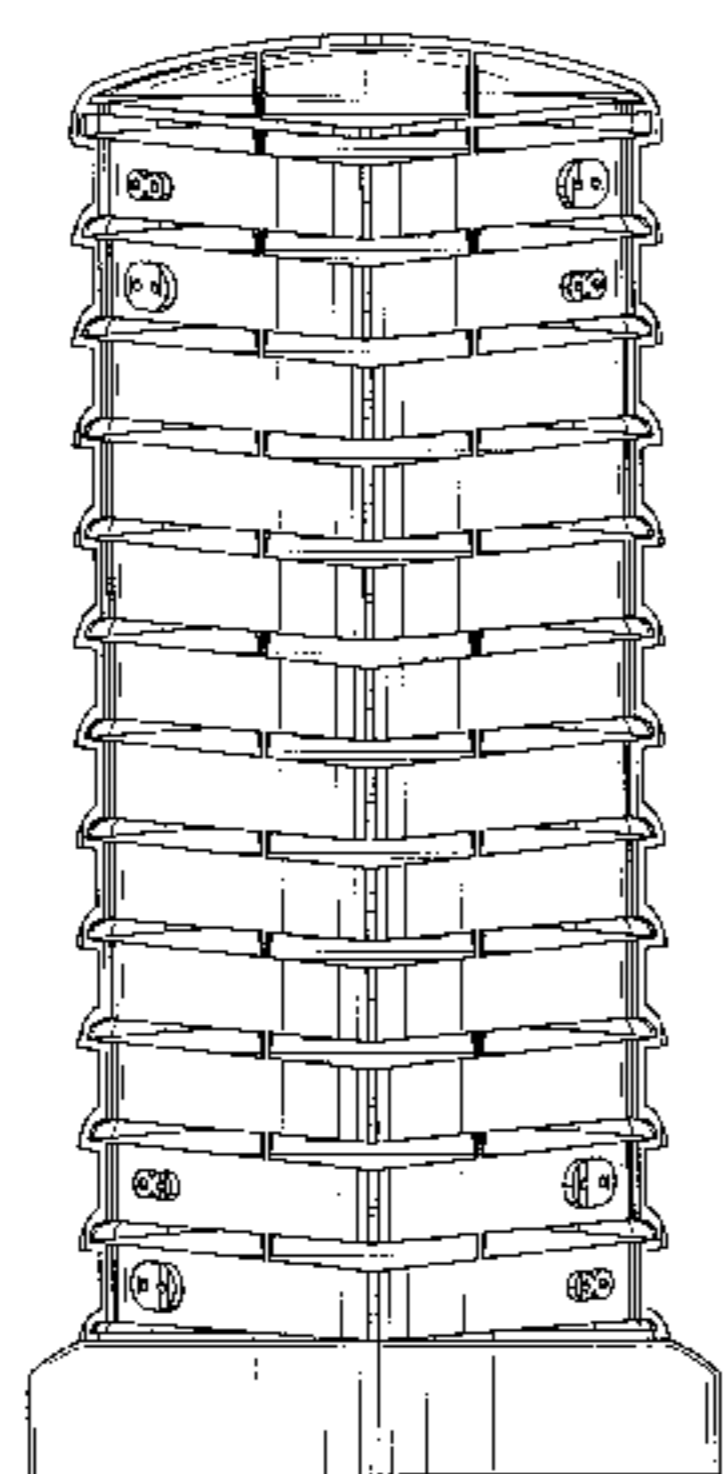
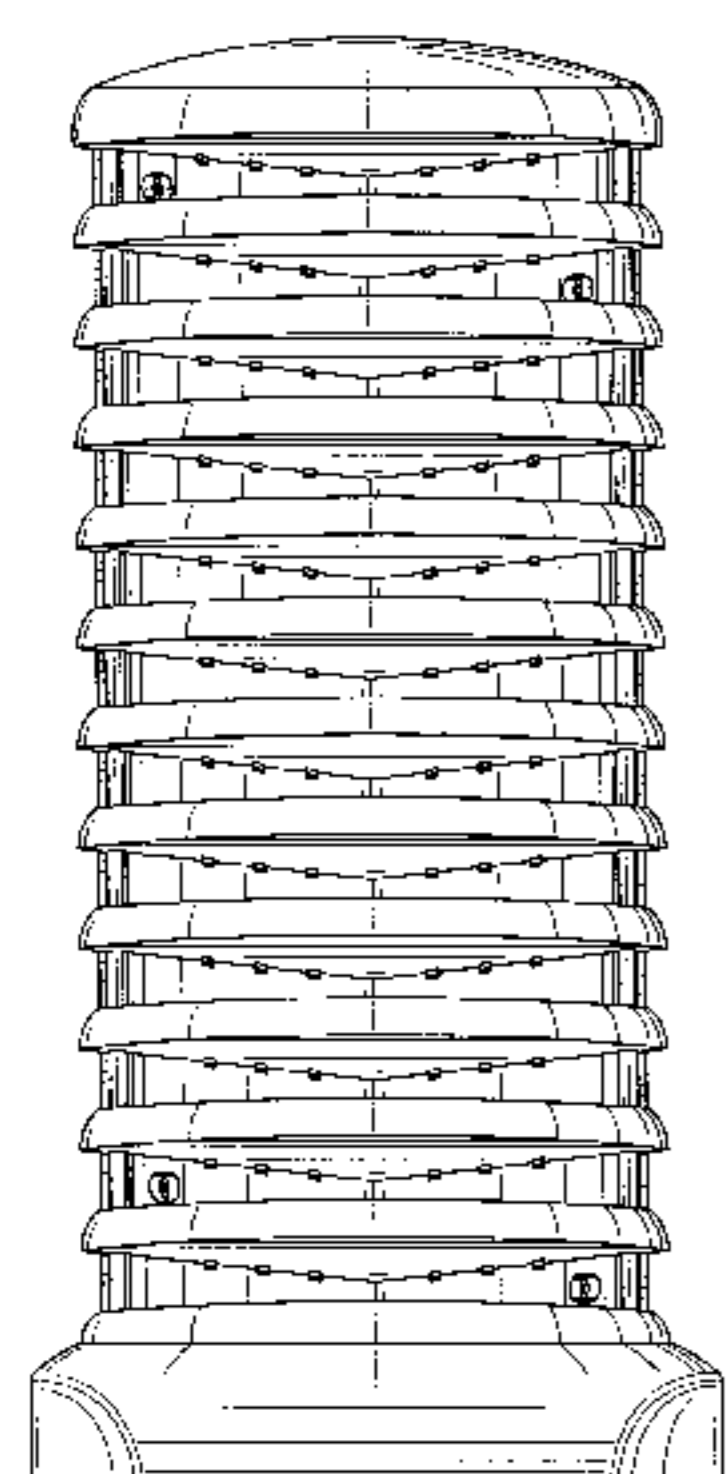
FIG. 13 is a front view of the multi-media storage tower design of FIGS. 1-7 with four identical storage modules of the design connected together;

FIG. 14 is a top view of the connected multi-media storage tower design of FIG. 13;

FIG. 15 is a bottom view of the connected multi-media storage tower design of FIG. 13; and,

FIG. 16 is a perspective view of the connected multi-media storage tower design of FIG. 13.

1 Claim, 11 Drawing Sheets



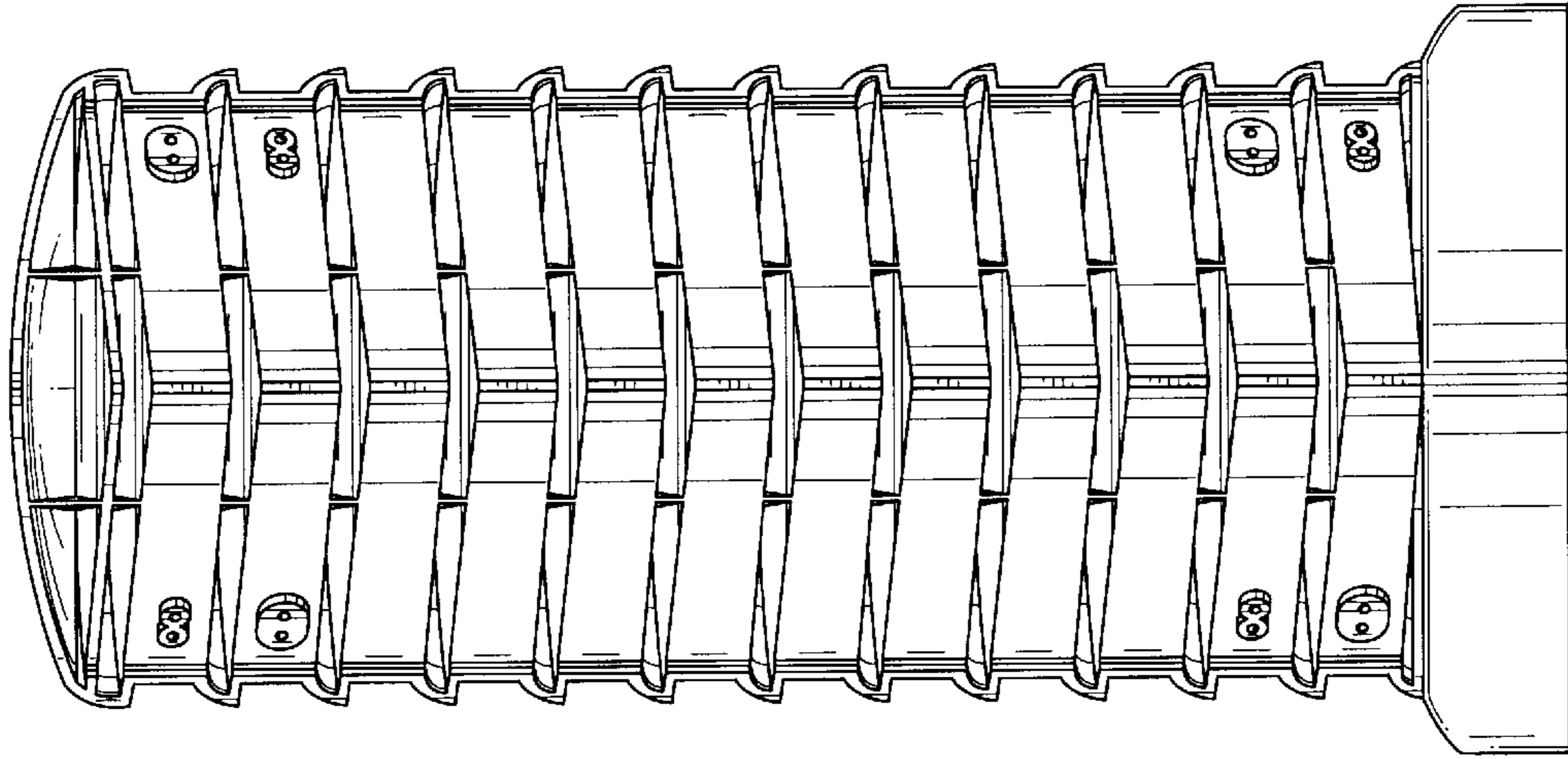


FIG. 2

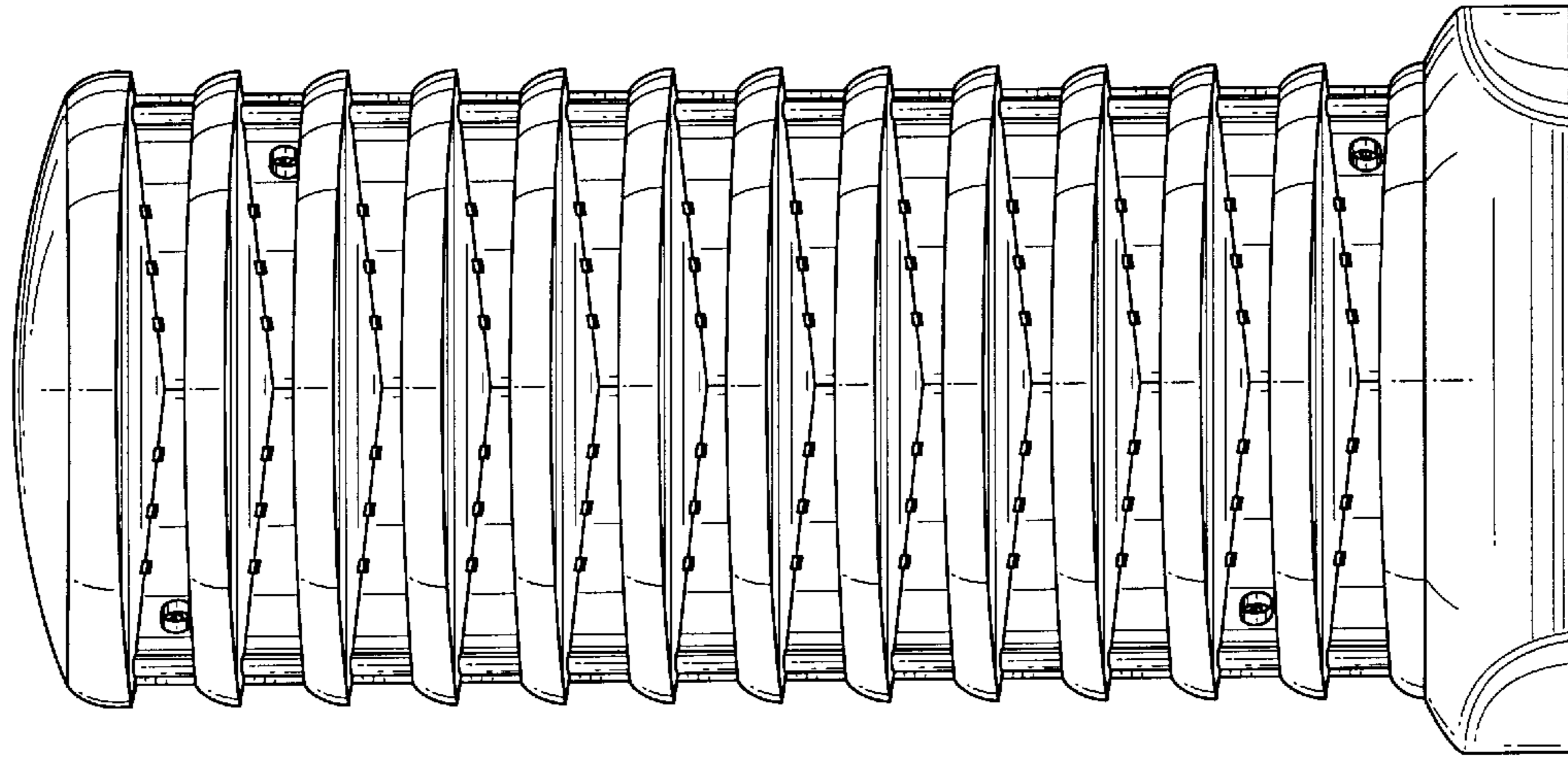


FIG. 1

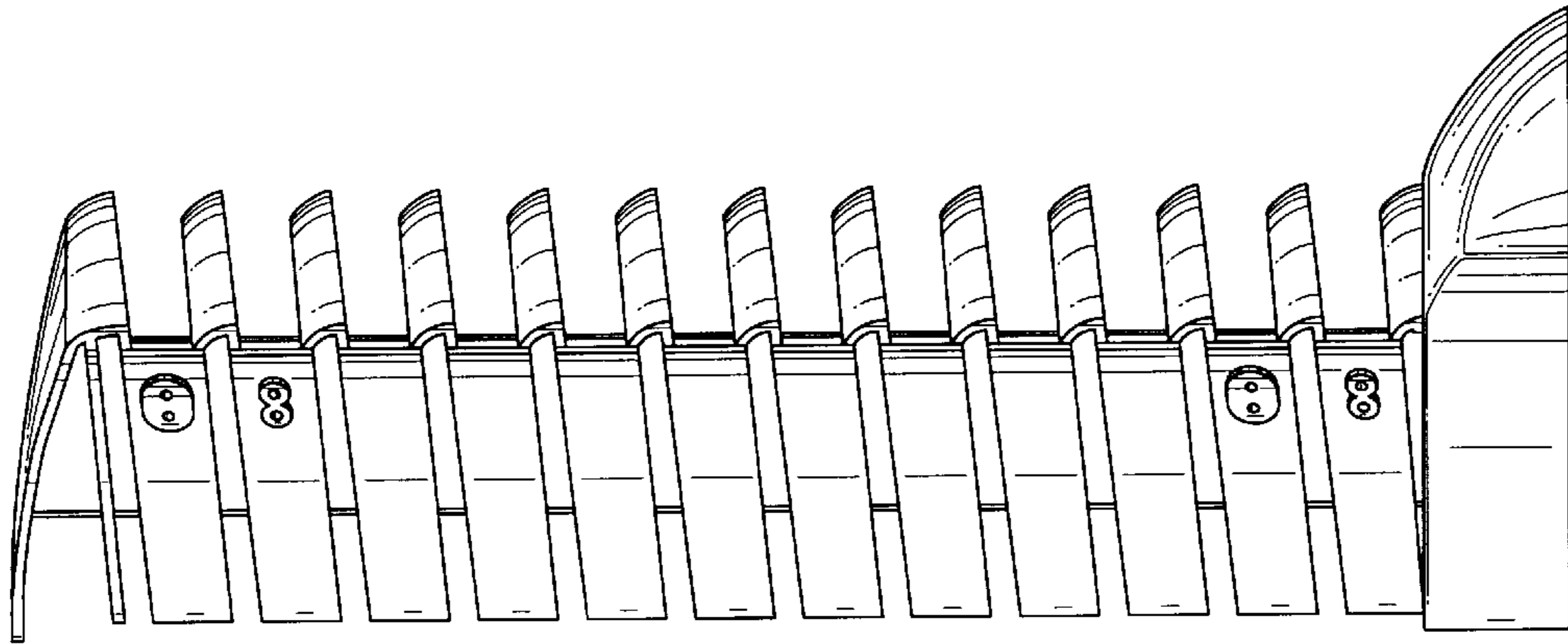


FIG. 4

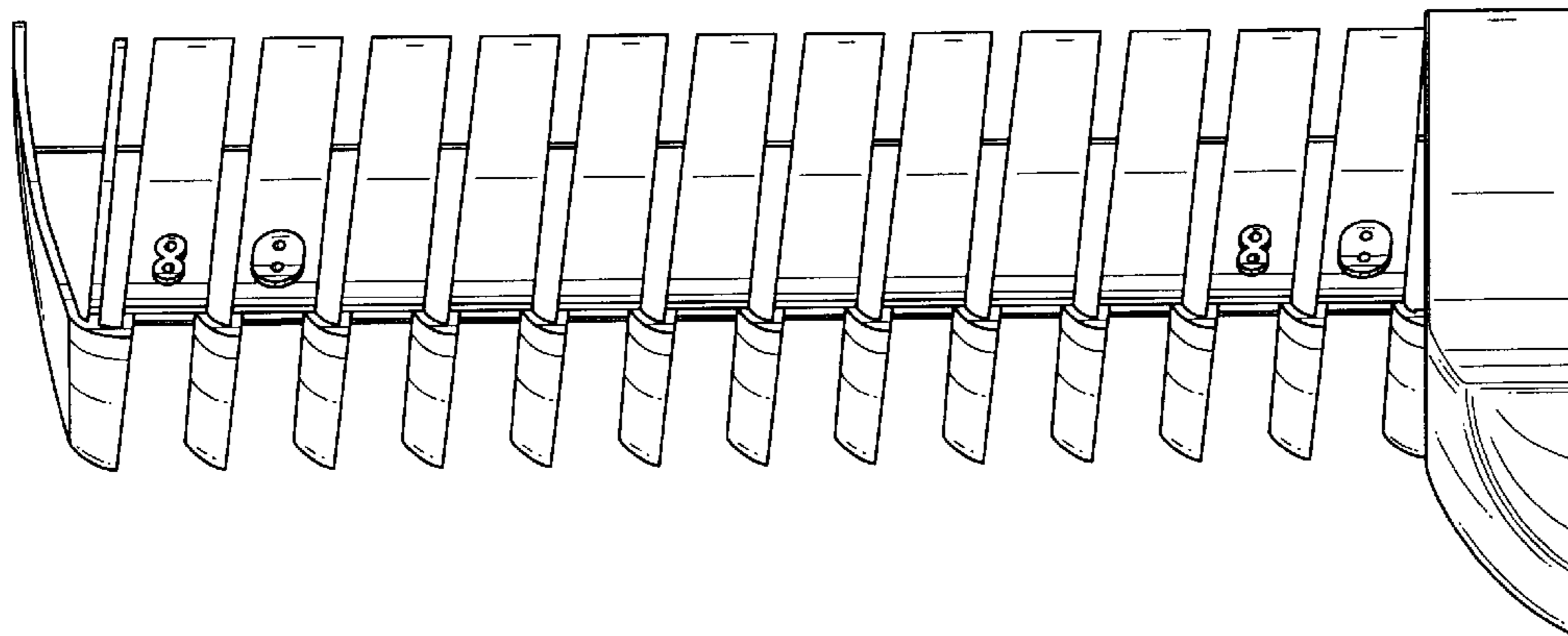


FIG. 3

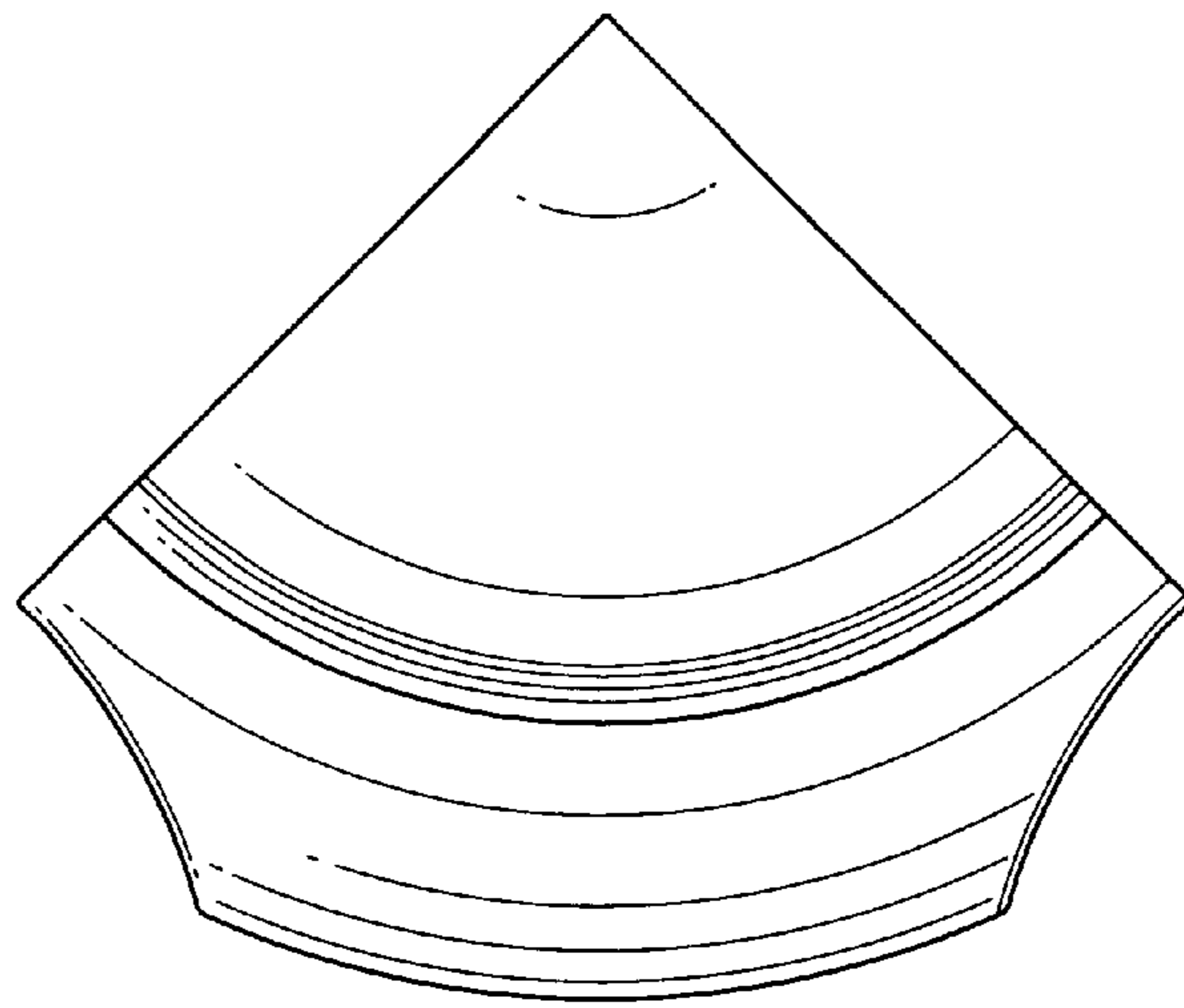


FIG. 5

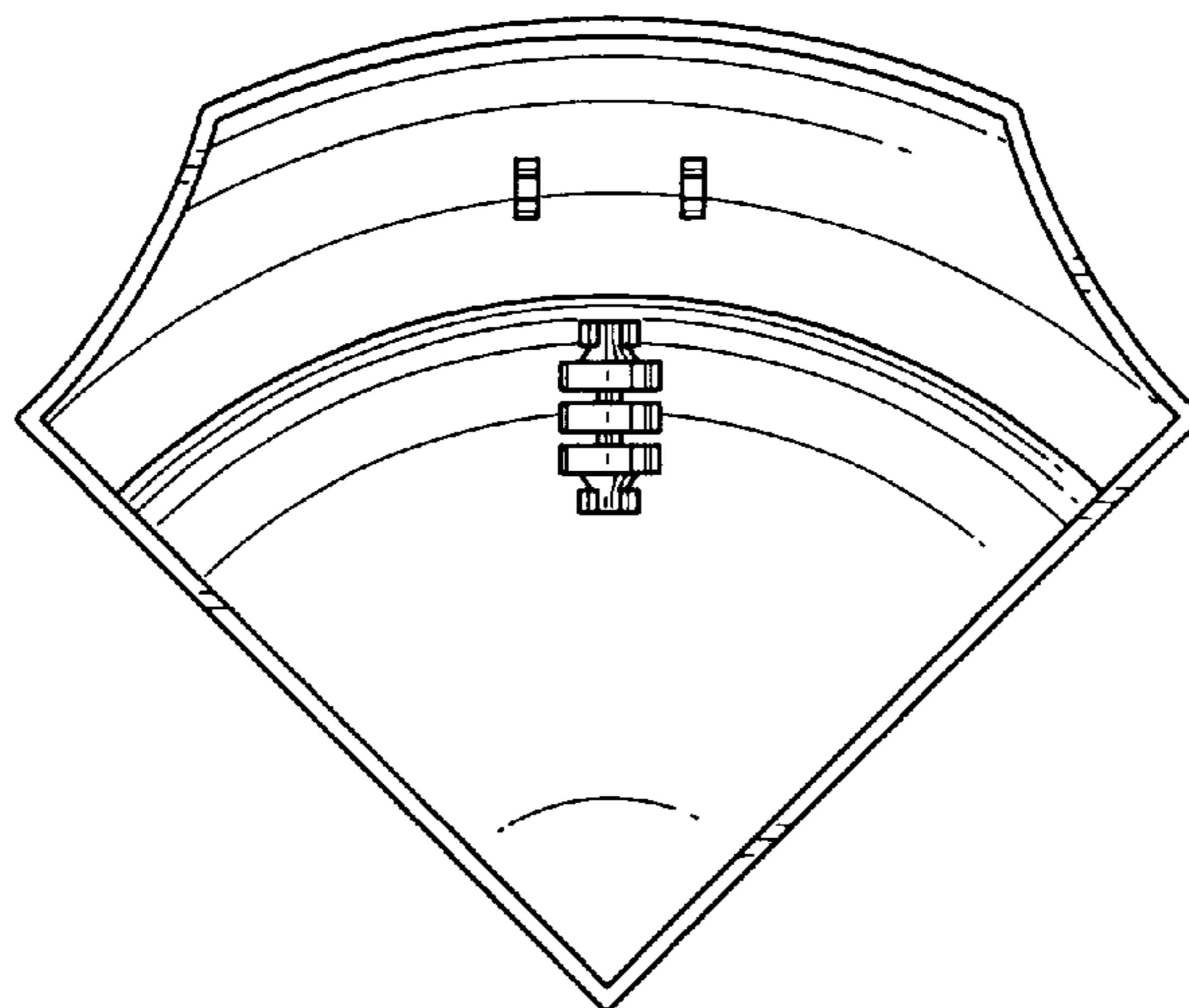


FIG. 6

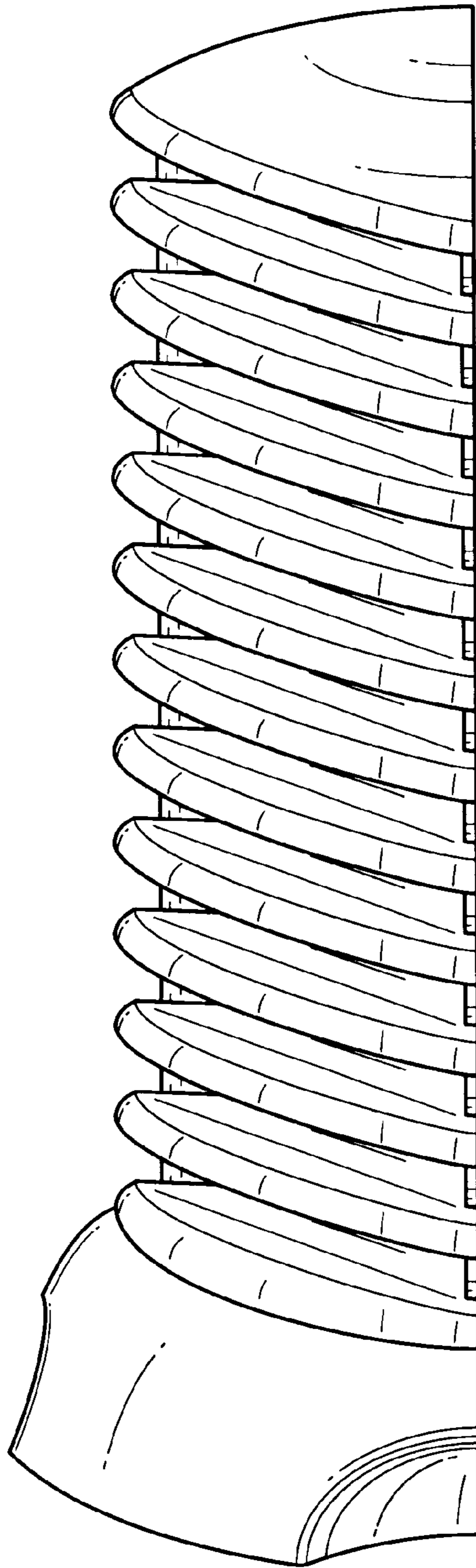


FIG. 7

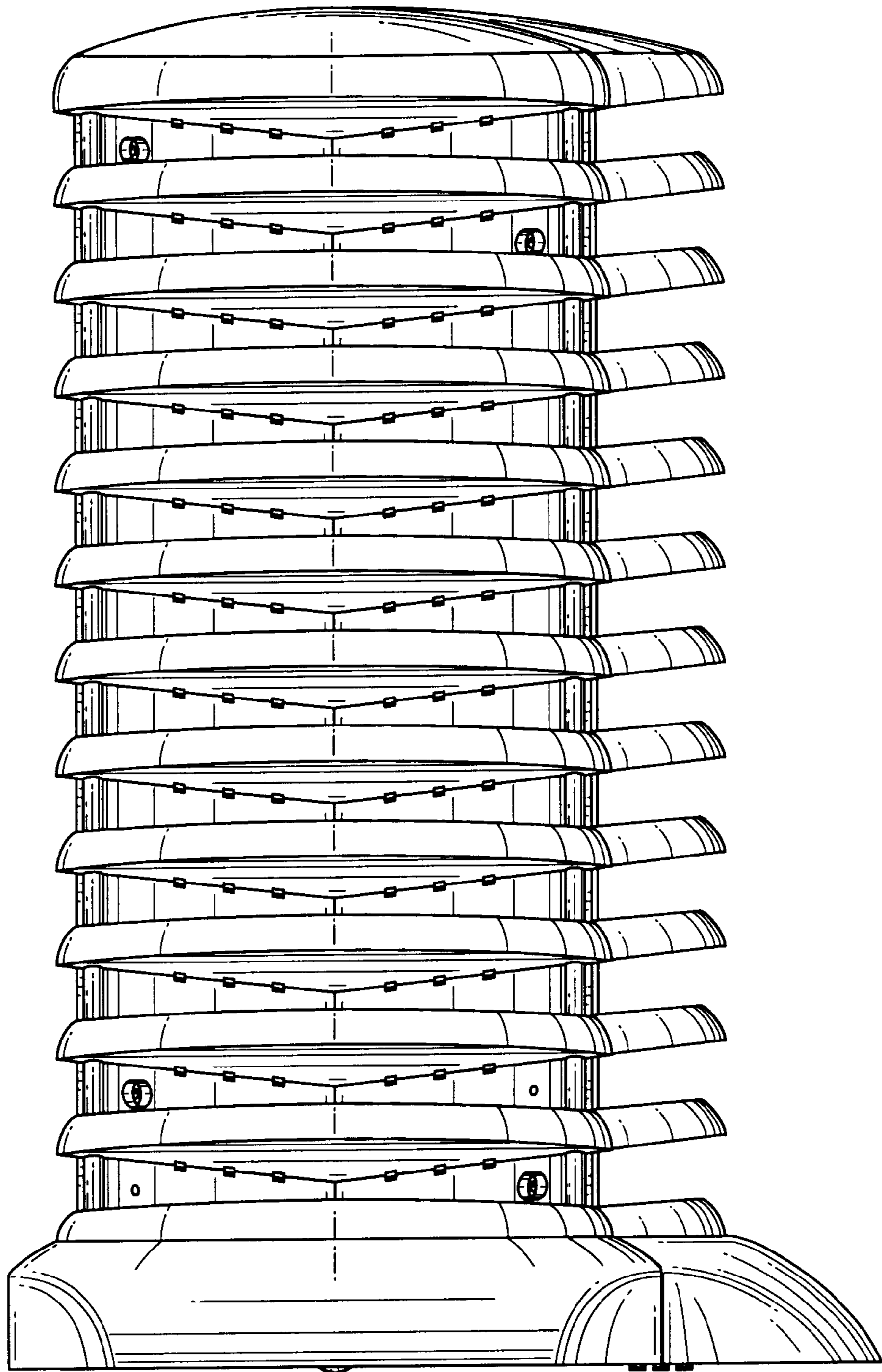


FIG. 8

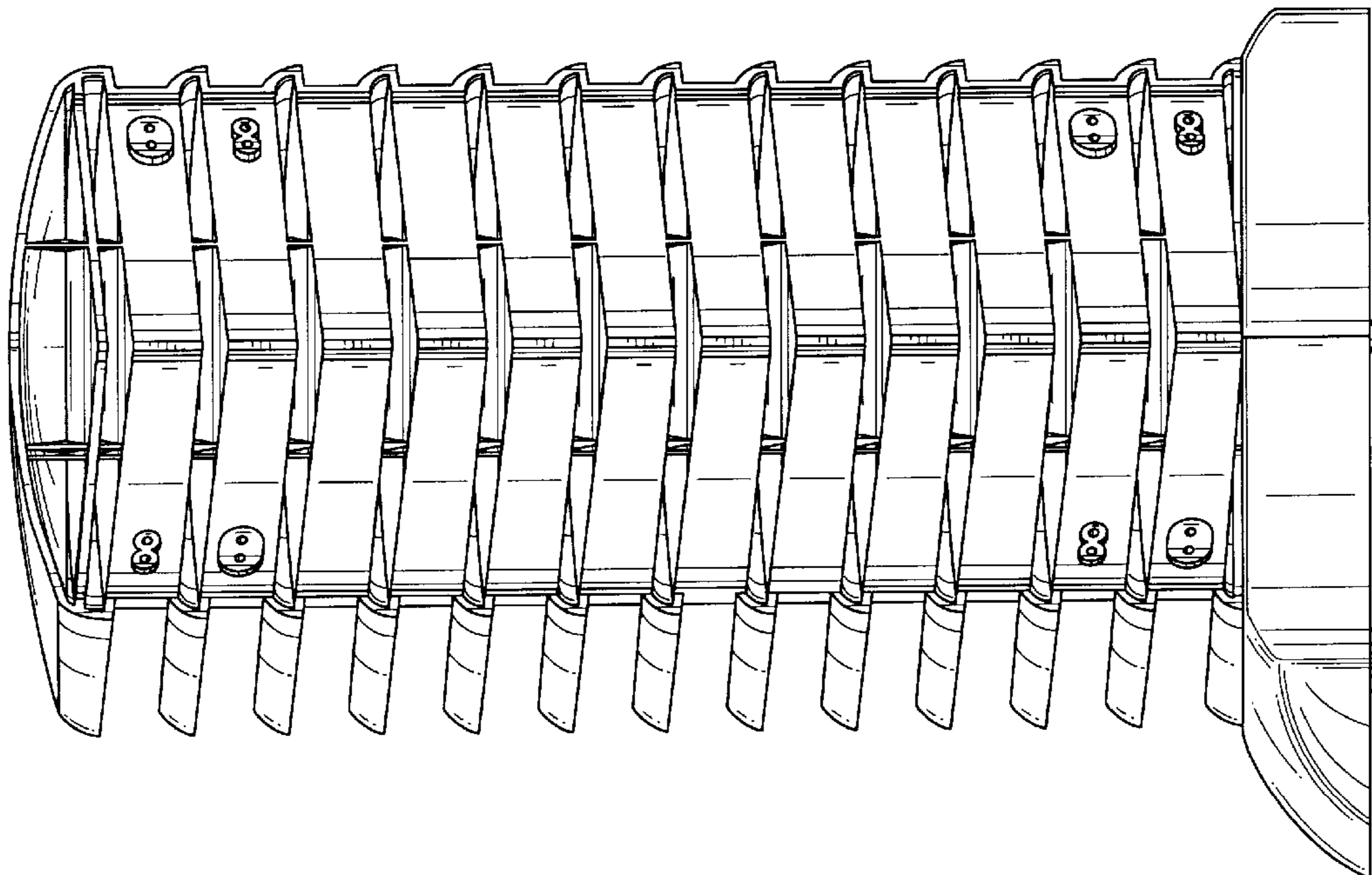


FIG. 9

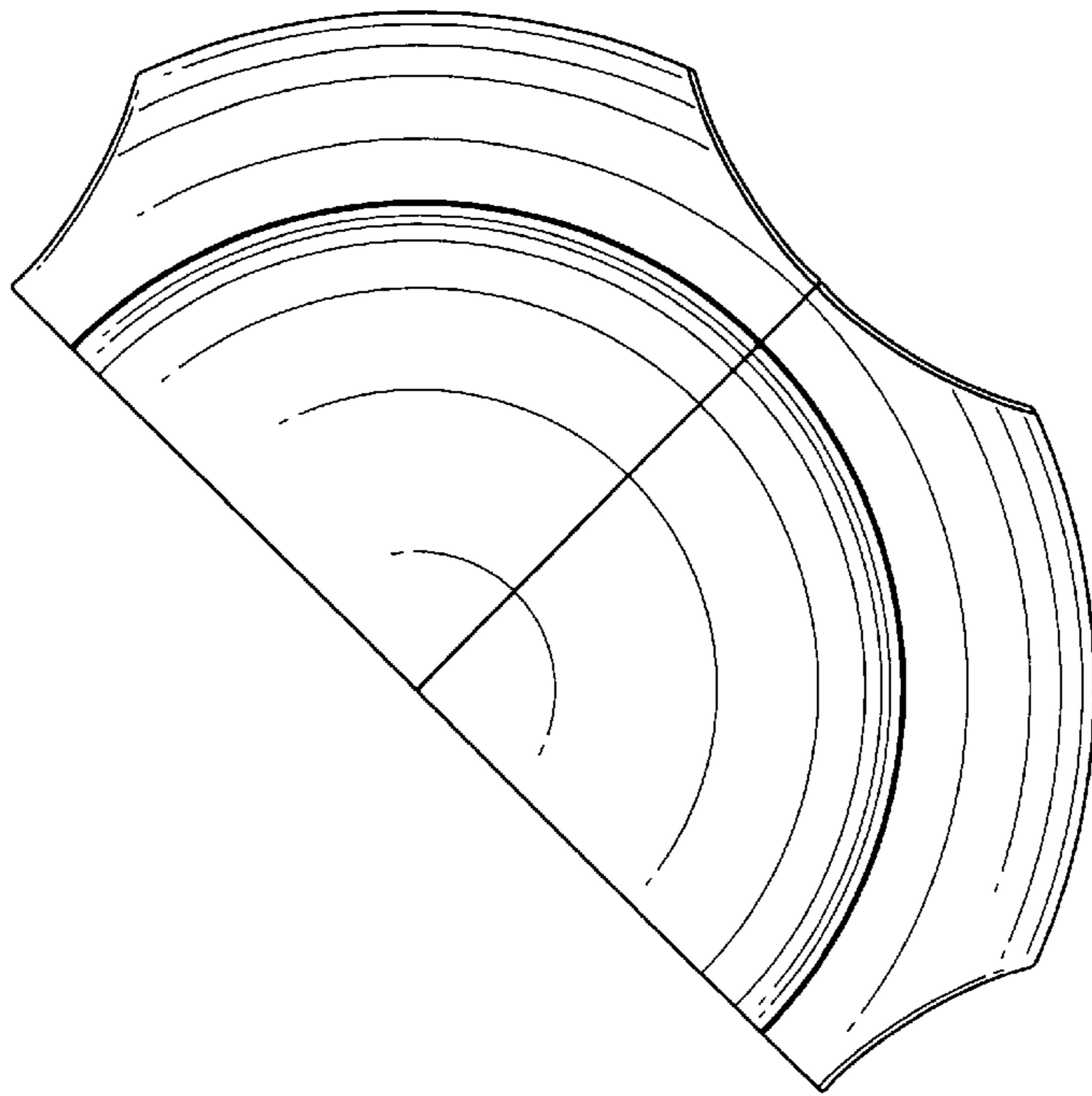


FIG. 10

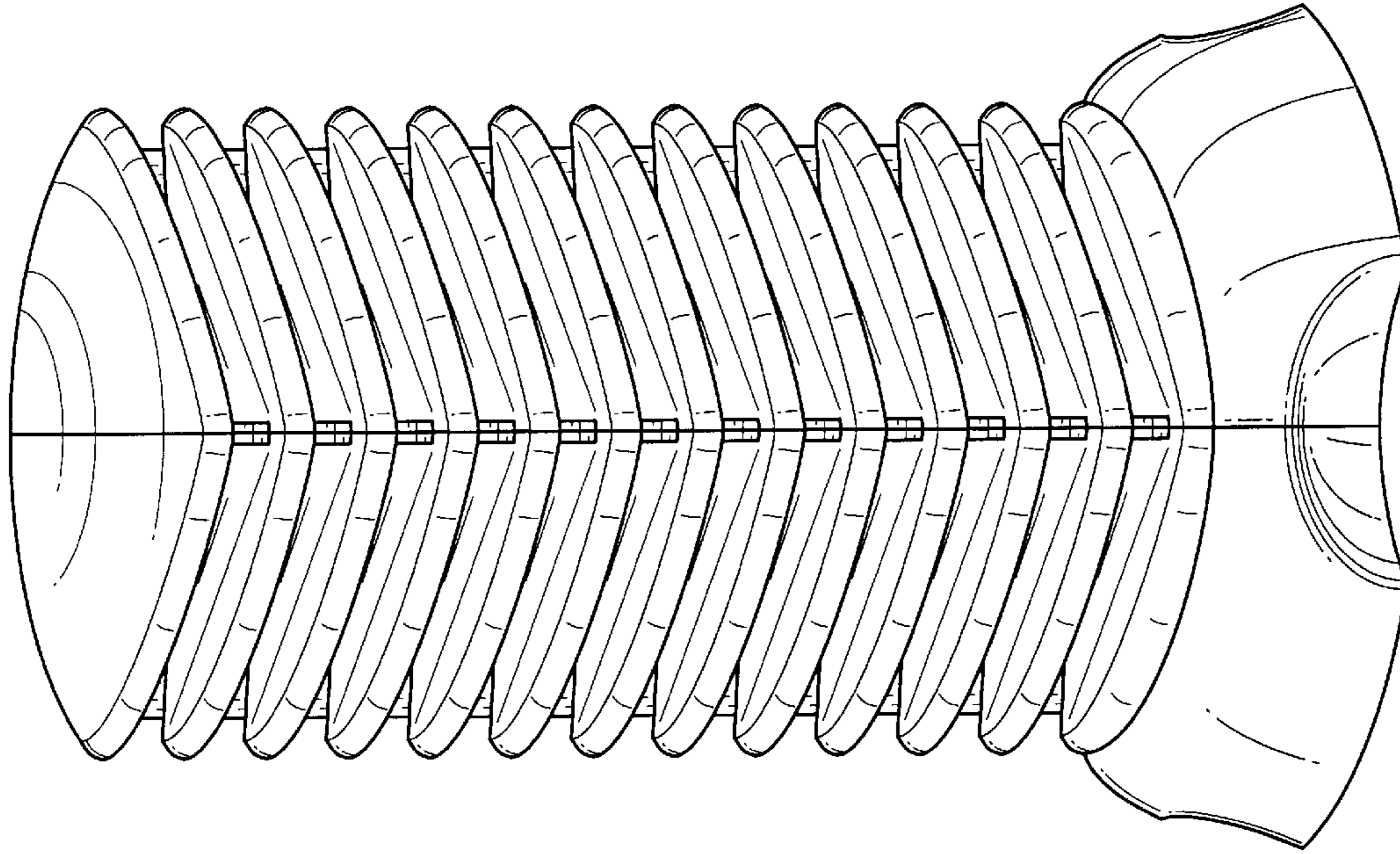


FIG. 12

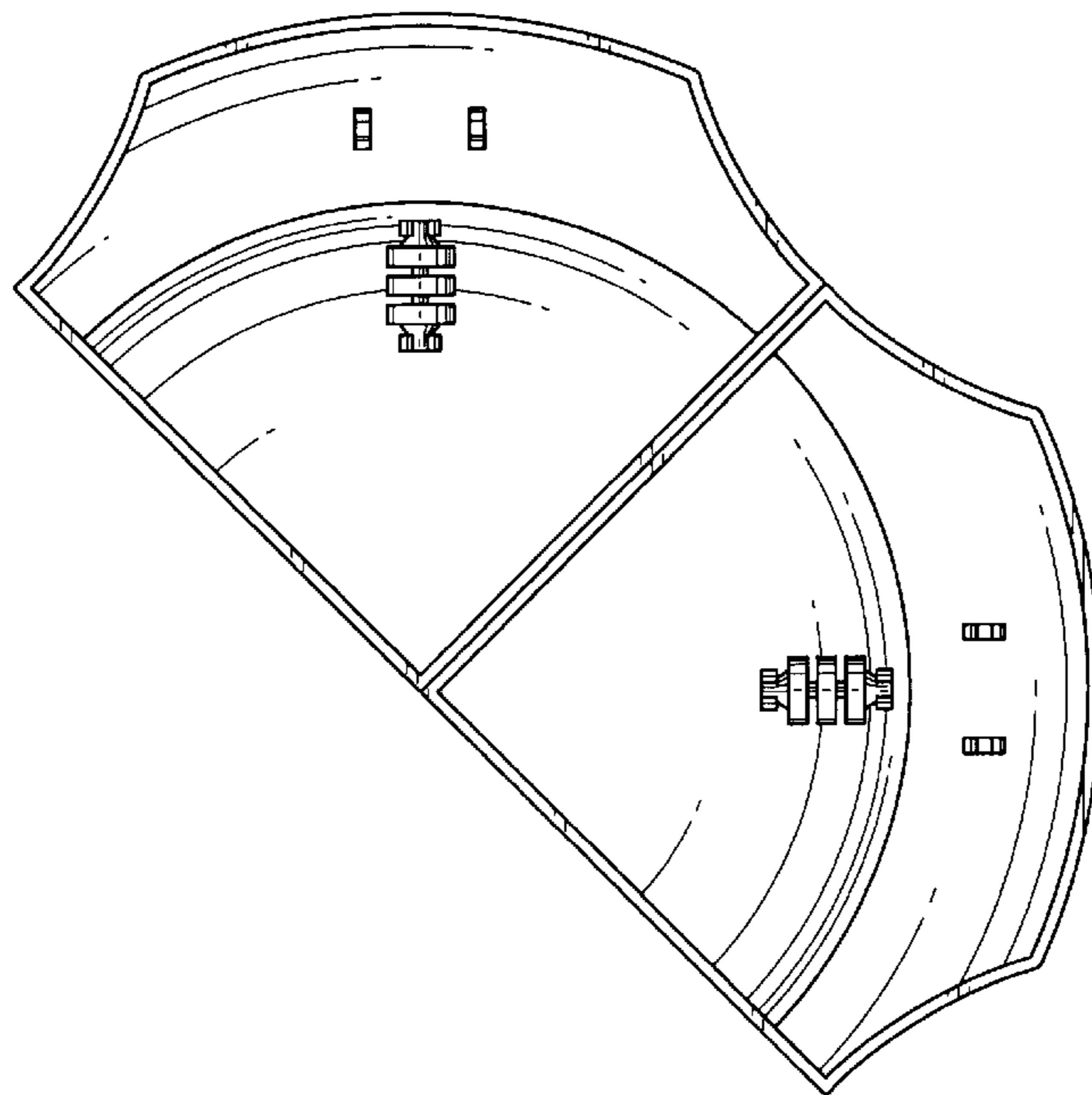


FIG. 11

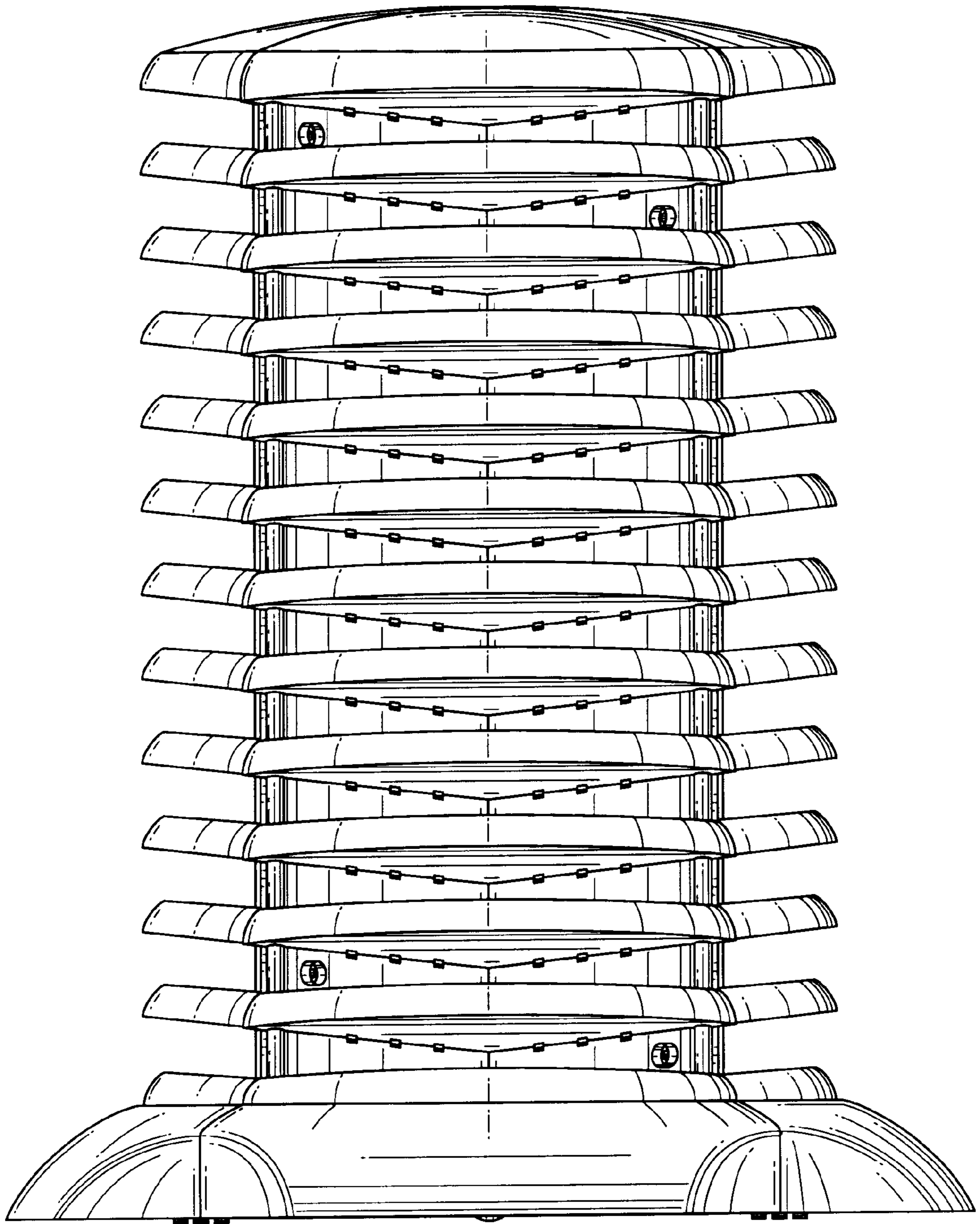


FIG. 13

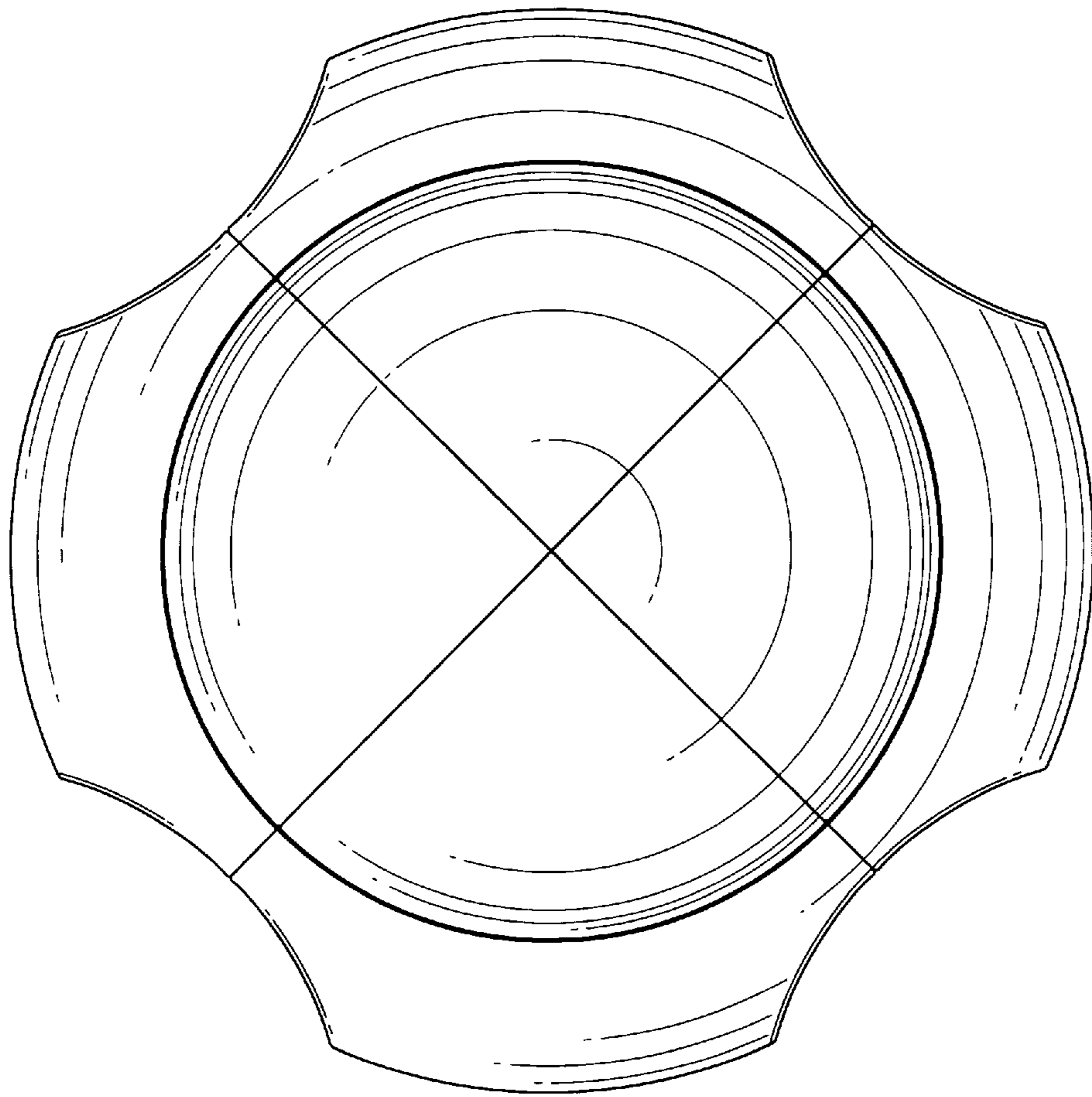


FIG. 14

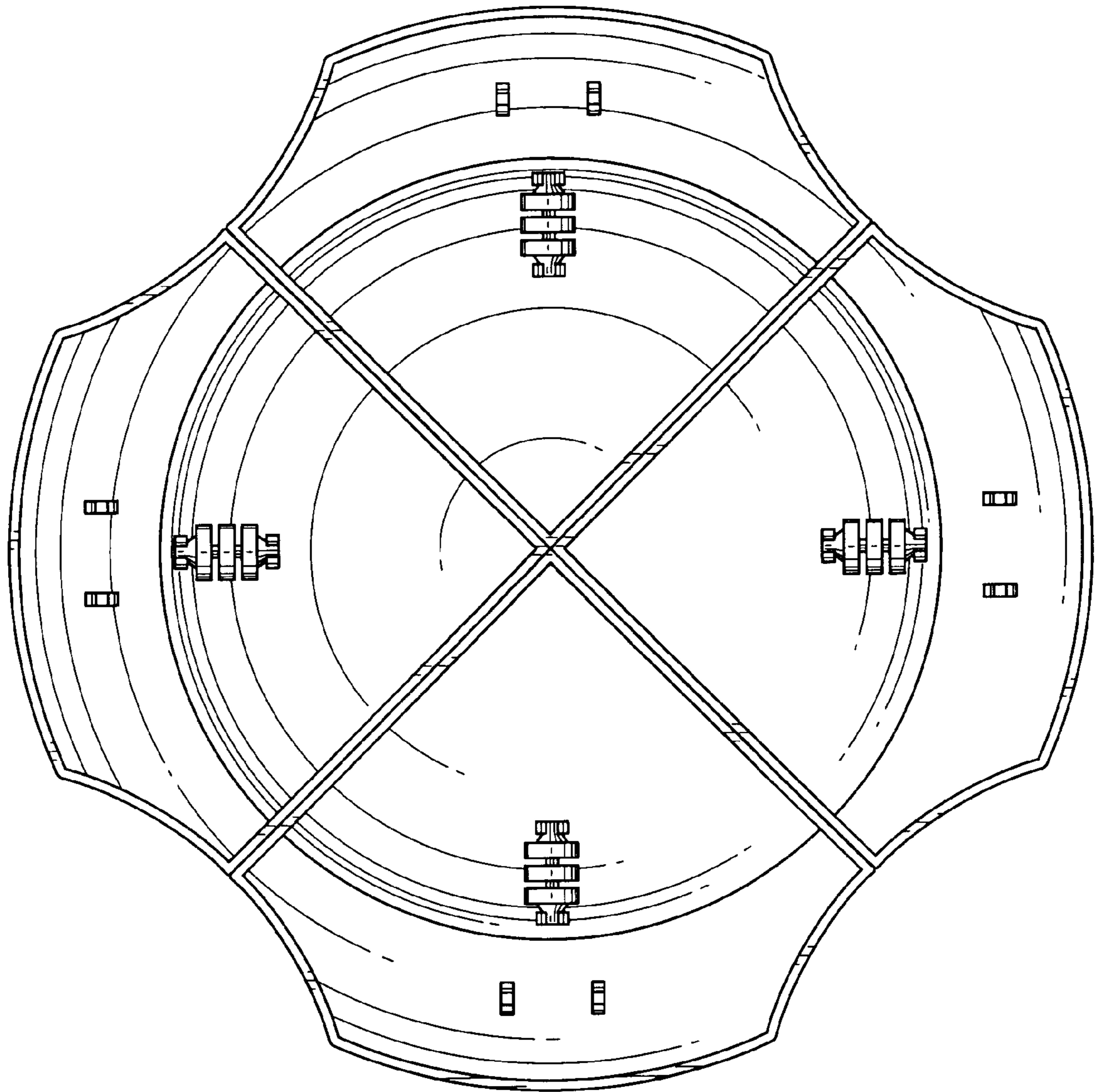


FIG. 15

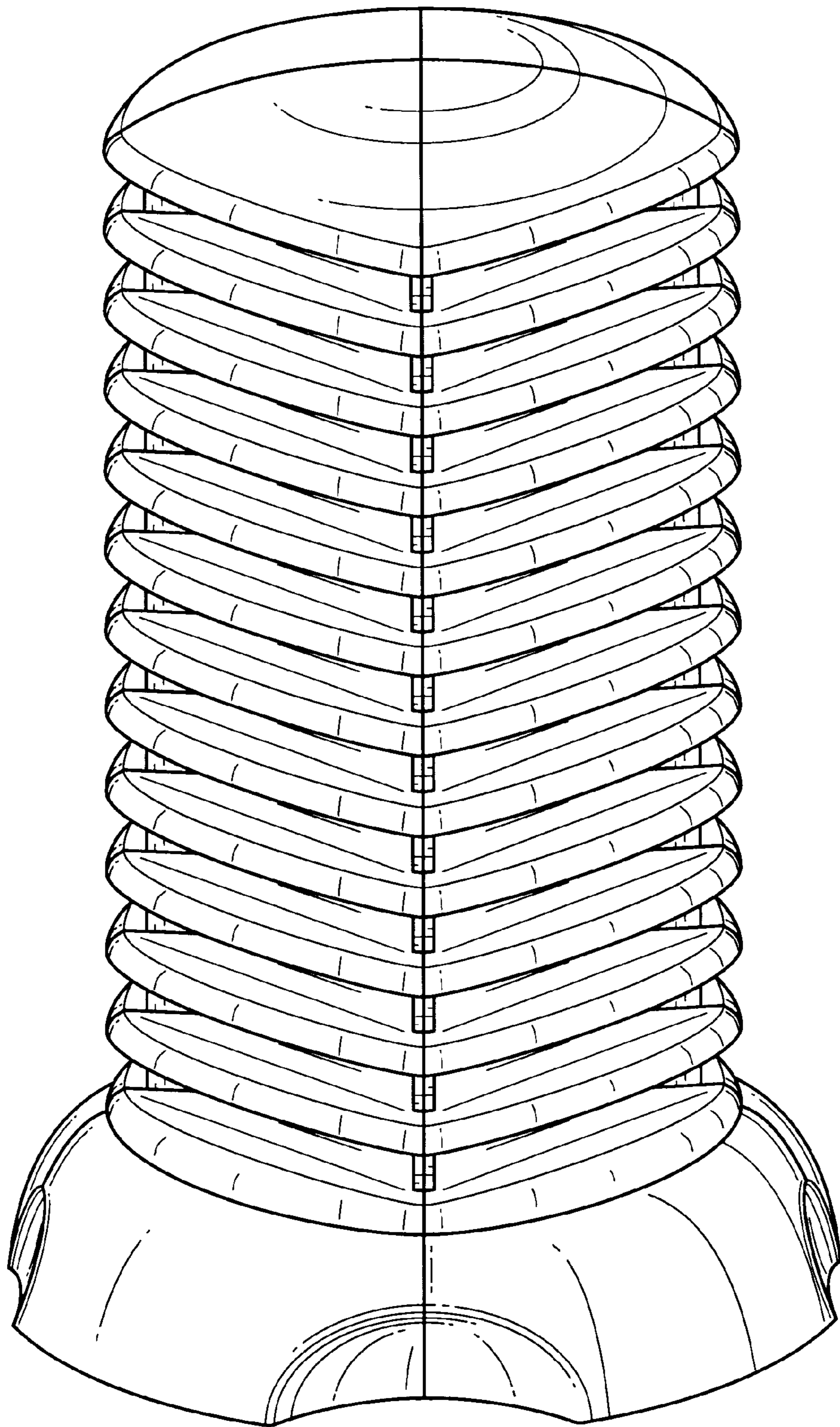


FIG. 16