



US00D436781S

(12) **United States Design Patent**
Karsten et al.

(10) **Patent No.:** **US D436,781 S**

(45) **Date of Patent:** **** Jan. 30, 2001**

(54) **HIGH SECURITY COMMERCIAL PRODUCT DISPLAY APPARATUS**

2,942,831 * 6/1960 Adams et al. 248/307 X
4,072,246 * 2/1978 Paulin 248/307 X
4,723,663 * 2/1988 Learn 211/106 X

(75) Inventors: **Richard Karsten**, Forest Hills, NY (US); **Kiat-Cheong Toh**, Ridley Park (SG); **Sangwon Yoon**, Kyung-San (KR)

* cited by examiner

Primary Examiner—Brian N. Vinson

(73) Assignee: **SmartPeg LLC**, New Providence, NJ (US)

(74) *Attorney, Agent, or Firm*—Sperry, Zoda & Kane

(**) Term: **14 Years**

(57) **CLAIM**

The ornamental design for a high security commercial product display apparatus, as shown and described.

(21) Appl. No.: **29/112,436**

DESCRIPTION

(22) Filed: **Oct. 15, 1999**

(51) **LOC (7) Cl.** **06-04**

(52) **U.S. Cl.** **D6/567**

(58) **Field of Search** D6/512, 520, 515, D6/553, 566, 567, 569, 572; 211/13.1, 86, 87, 89, 106, 134, 181.1; 248/201, 205.1, 220.21, 220.31, 309.1, 302, 307

FIG. 1 is a top, front, and right side perspective view of a high security commercial product display apparatus showing our new design, the left side being identical to the right, and the broken-line disclosure of a peg board being for illustrative purposes only and forming no part of the claimed design;

FIG. 2 is a right side plan view;

FIG. 3 is a top plan view;

FIG. 4 is a front plan view;

FIG. 5 is a bottom plan view; and,

FIG. 6 is a back plan view.

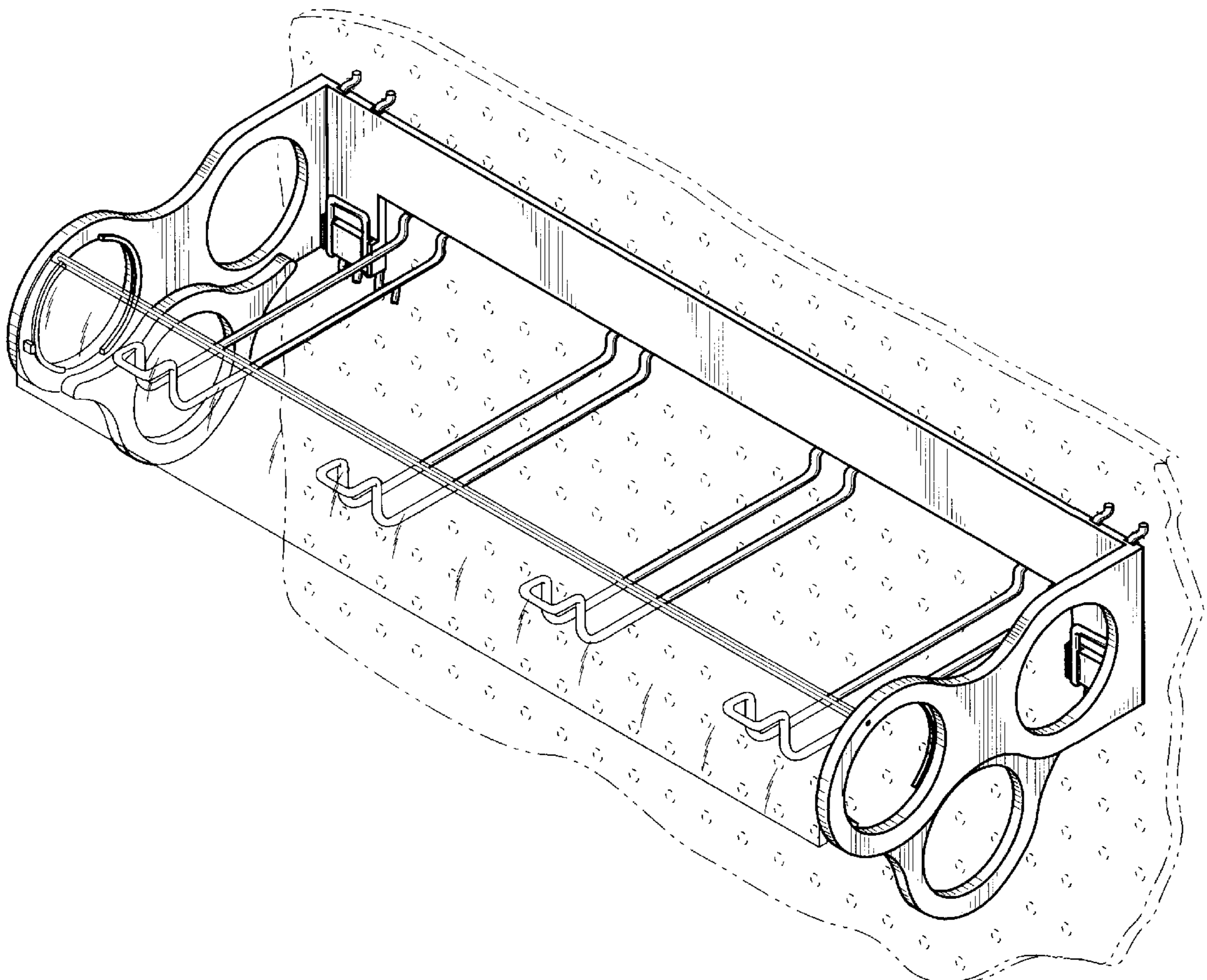
(56) **References Cited**

U.S. PATENT DOCUMENTS

D. 242,888 * 1/1977 Mazie et al. D6/566

D. 341,283 * 11/1993 Gunter D6/566

1 Claim, 3 Drawing Sheets



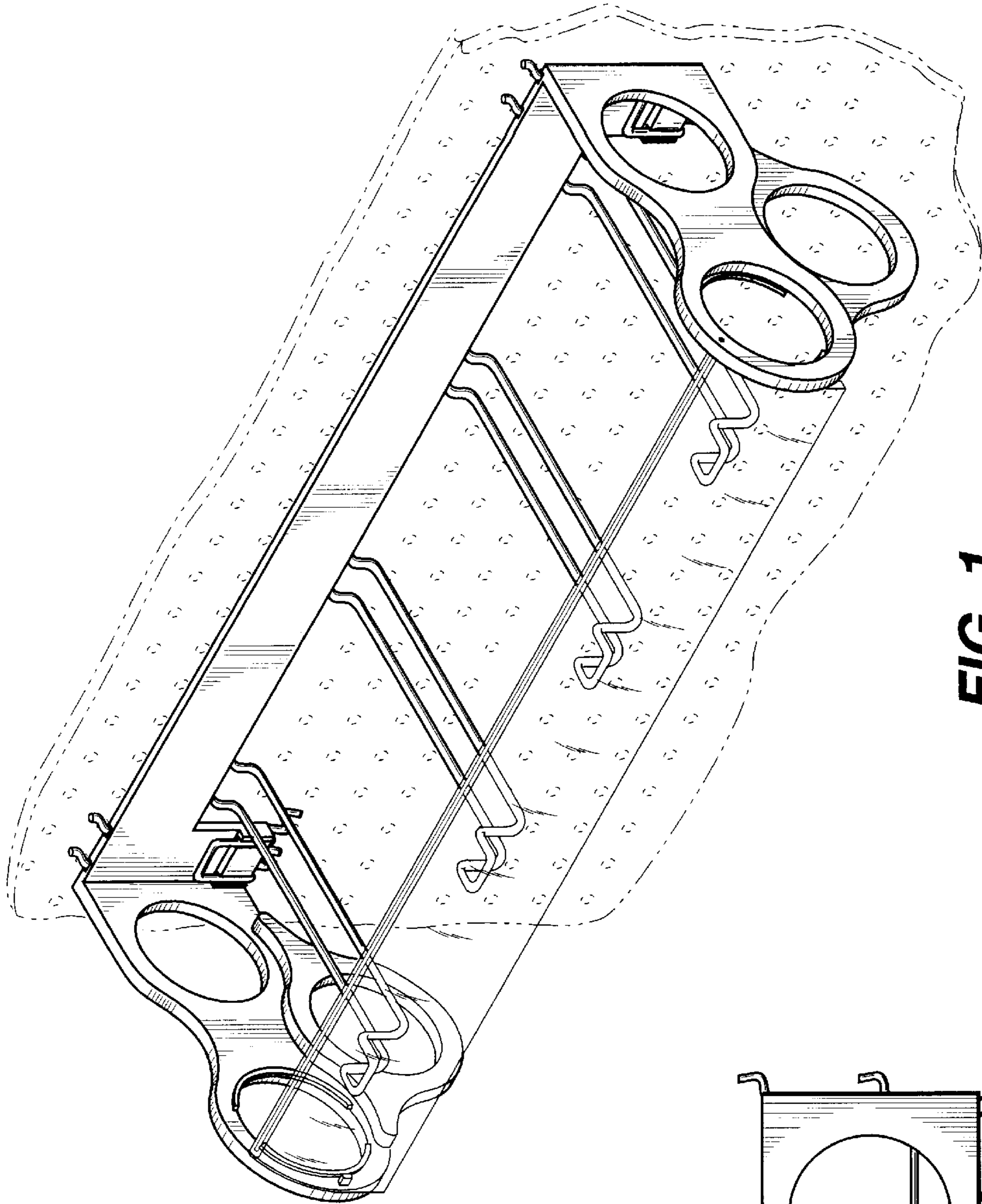


FIG. 1

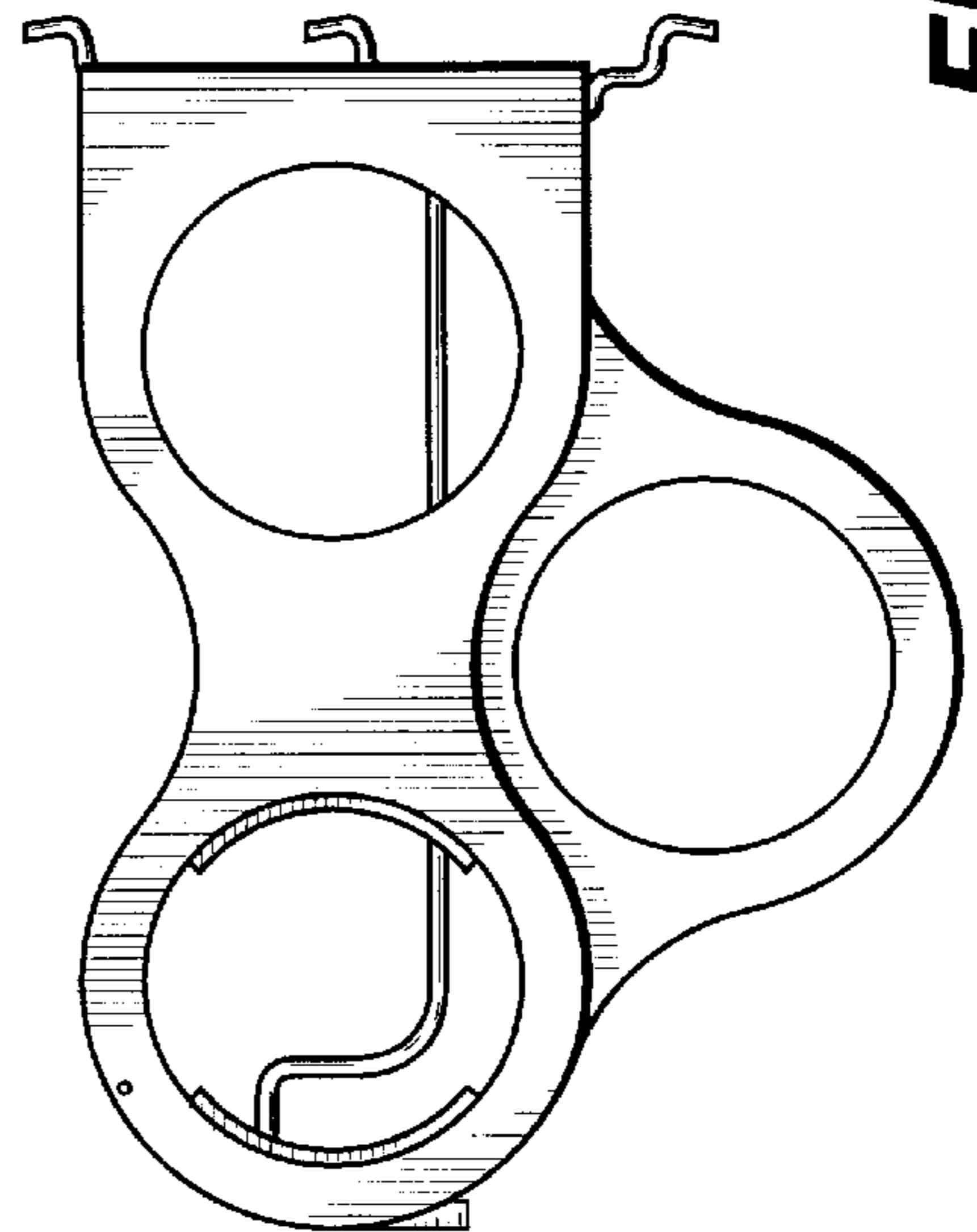


FIG. 2

FIG. 3

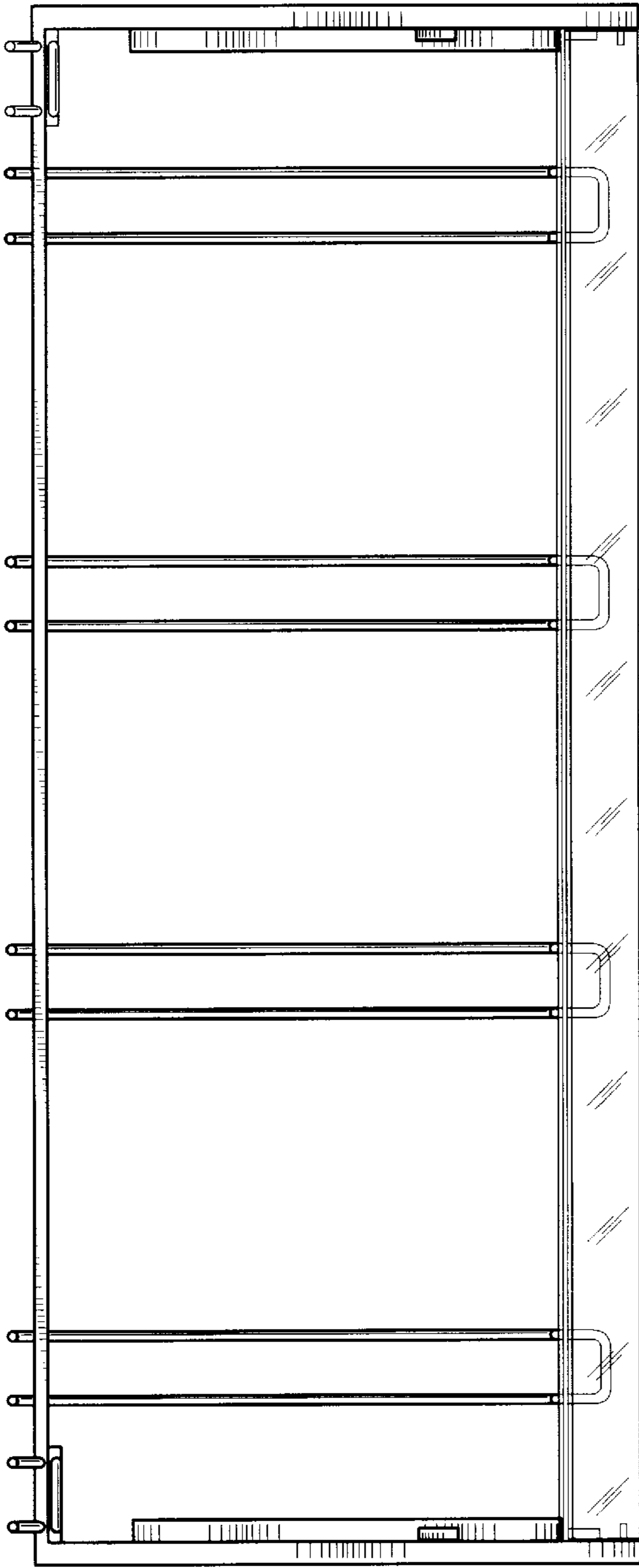


FIG. 4

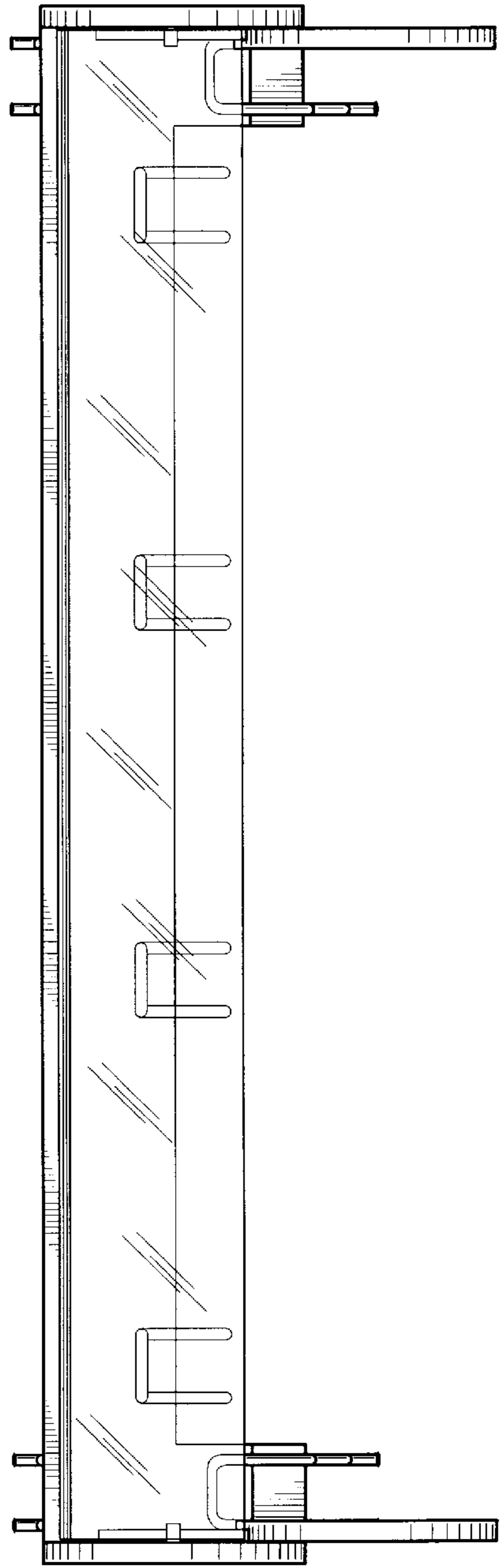


FIG. 5

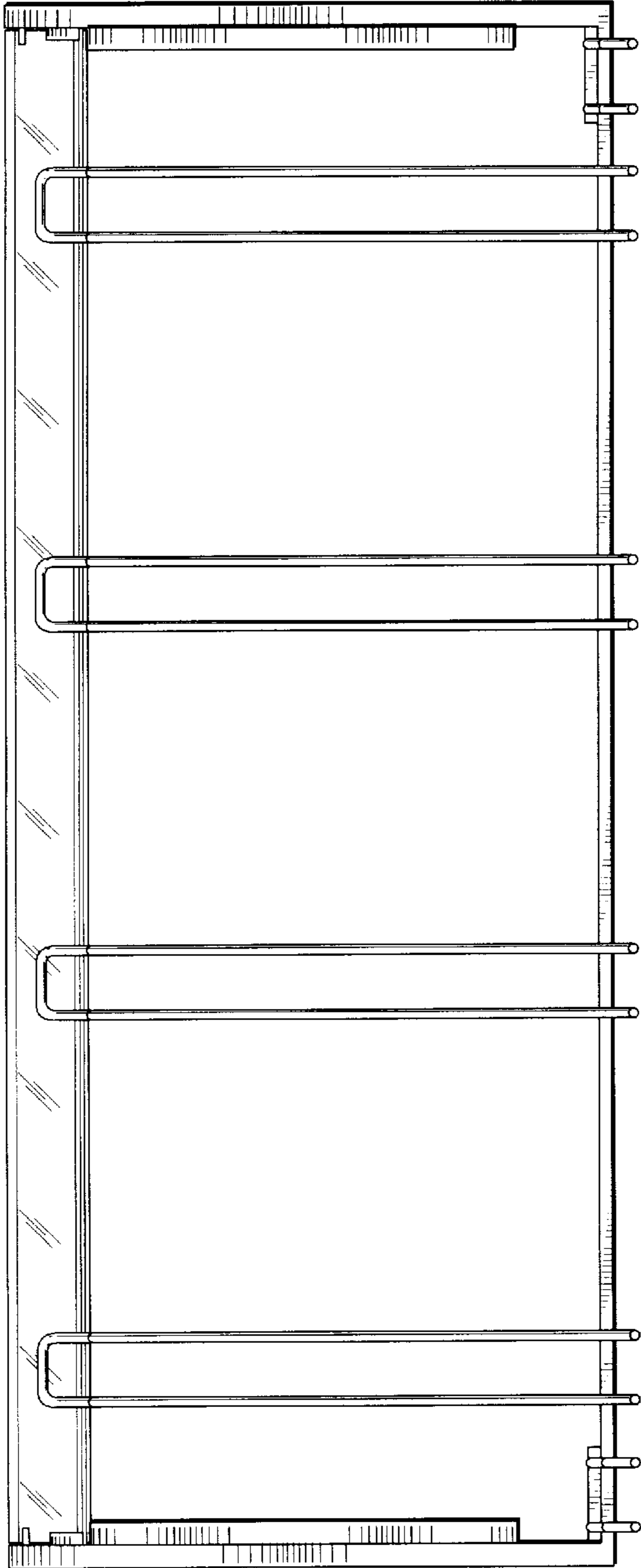


FIG. 6

