



US00D436775S

(12) **United States Design Patent**  
**Ming-Hsiao**

(10) **Patent No.:** **US D436,775 S**

(45) **Date of Patent:** **\*\* Jan. 30, 2001**

(54) **TOILET PAPER ROLL HOLDER**

(76) **Inventor:** **Lai Ming-Hsiao**, P.O. Box 453,  
Taichung (TW)

(\*\*) **Term:** **14 Years**

(21) **Appl. No.:** **29/120,812**

(22) **Filed:** **Mar. 27, 2000**

(51) **LOC (7) Cl.** ..... **23-02**

(52) **U.S. Cl.** ..... **D6/523**

(58) **Field of Search** ..... D6/522-523, 518,  
D6/549-550; 242/516, 590, 595-596, 598,  
598.3; 312/34.8; 206/389; 211/16, 123

(56) **References Cited**

**U.S. PATENT DOCUMENTS**

D. 337,230	*	7/1993	Wang	.....	D6/550
D. 361,006	*	8/1995	Sharpe	.....	D6/523 X
D. 362,361	*	9/1995	Lehn et al.	.....	D6/523
D. 374,361	*	10/1996	Lehn et al.	.....	D6/523
D. 377,570	*	1/1997	Sharpe	.....	D6/523 X
D. 390,397	*	2/1998	Chen	.....	D6/550

D. 394,972	*	6/1998	Moore et al.	.....	D6/550
D. 400,381	*	11/1998	Solowiek et al.	.....	D6/550
D. 408,669	*	4/1999	Kuo	.....	D6/550
D. 417,808	*	12/1999	Roth et al.	.....	D6/523
D. 422,824	*	4/2000	Moore et al.	.....	D6/550
D. 424,354	*	5/2000	Duggan	.....	D6/550

\* cited by examiner

*Primary Examiner*—Brian N. Vinson

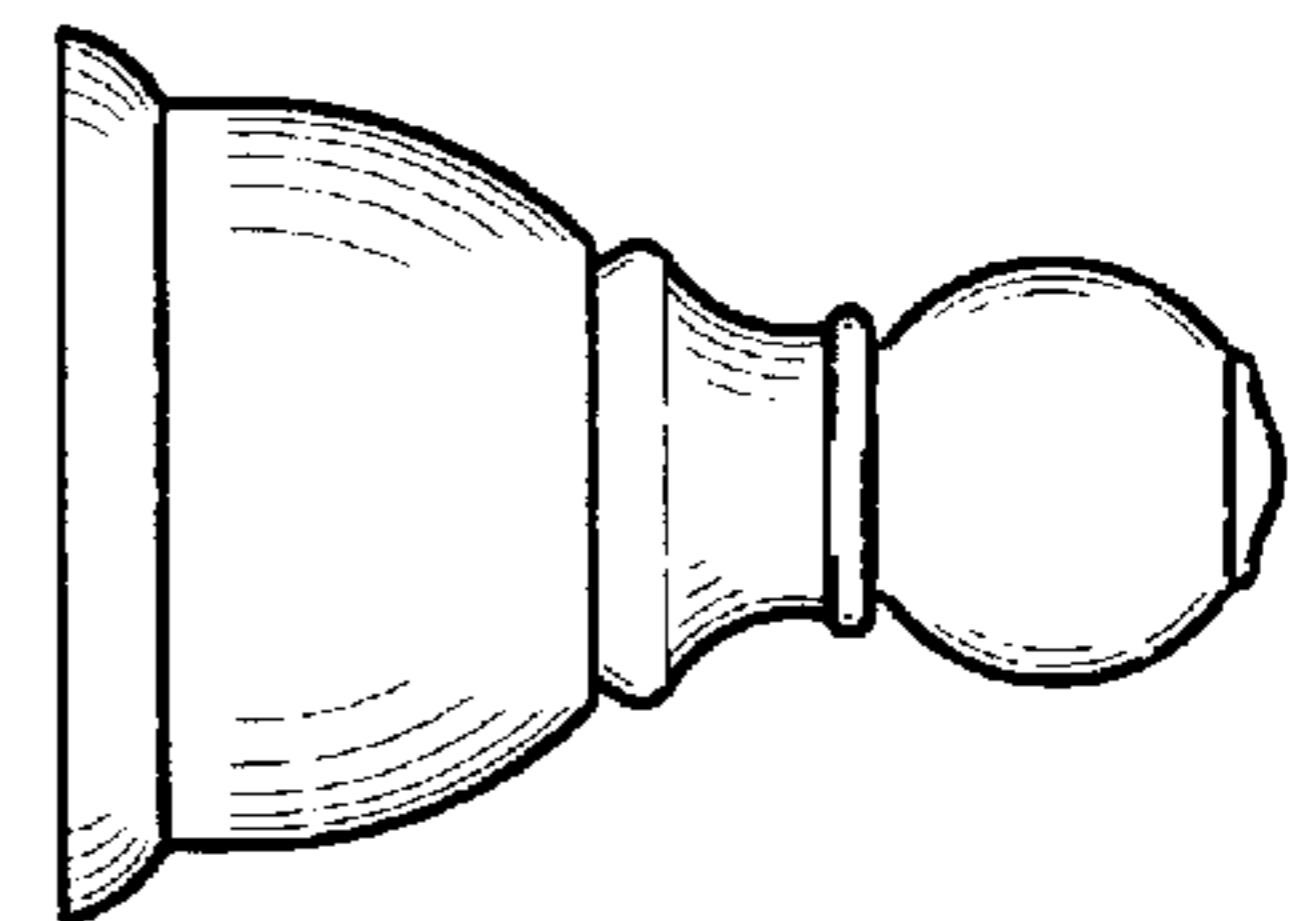
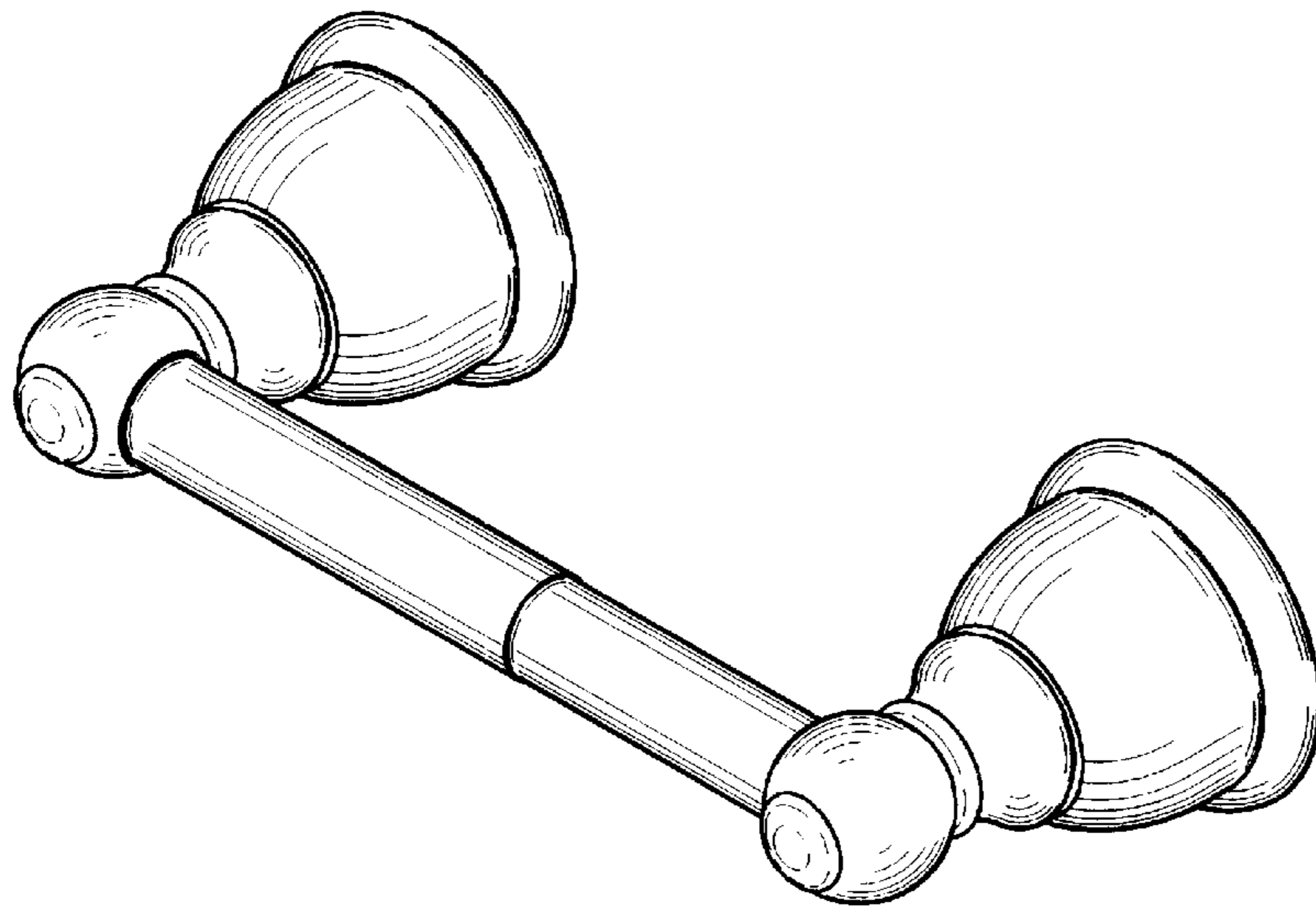
(57) **CLAIM**

I claim the ornamental design for a toilet paper roll holder, as shown and described.

**DESCRIPTION**

FIG. 1 is a perspective view of a toilet paper roll holder showing my new design;  
FIG. 2 is a front elevational view thereof;  
FIG. 3 is a rear elevational view thereof;  
FIG. 4 is a right elevational view thereof;  
FIG. 5 is a left elevational view thereof;  
FIG. 6 is a top plan view thereof; and,  
FIG. 7 is a bottom plan view thereof.

**1 Claim, 4 Drawing Sheets**



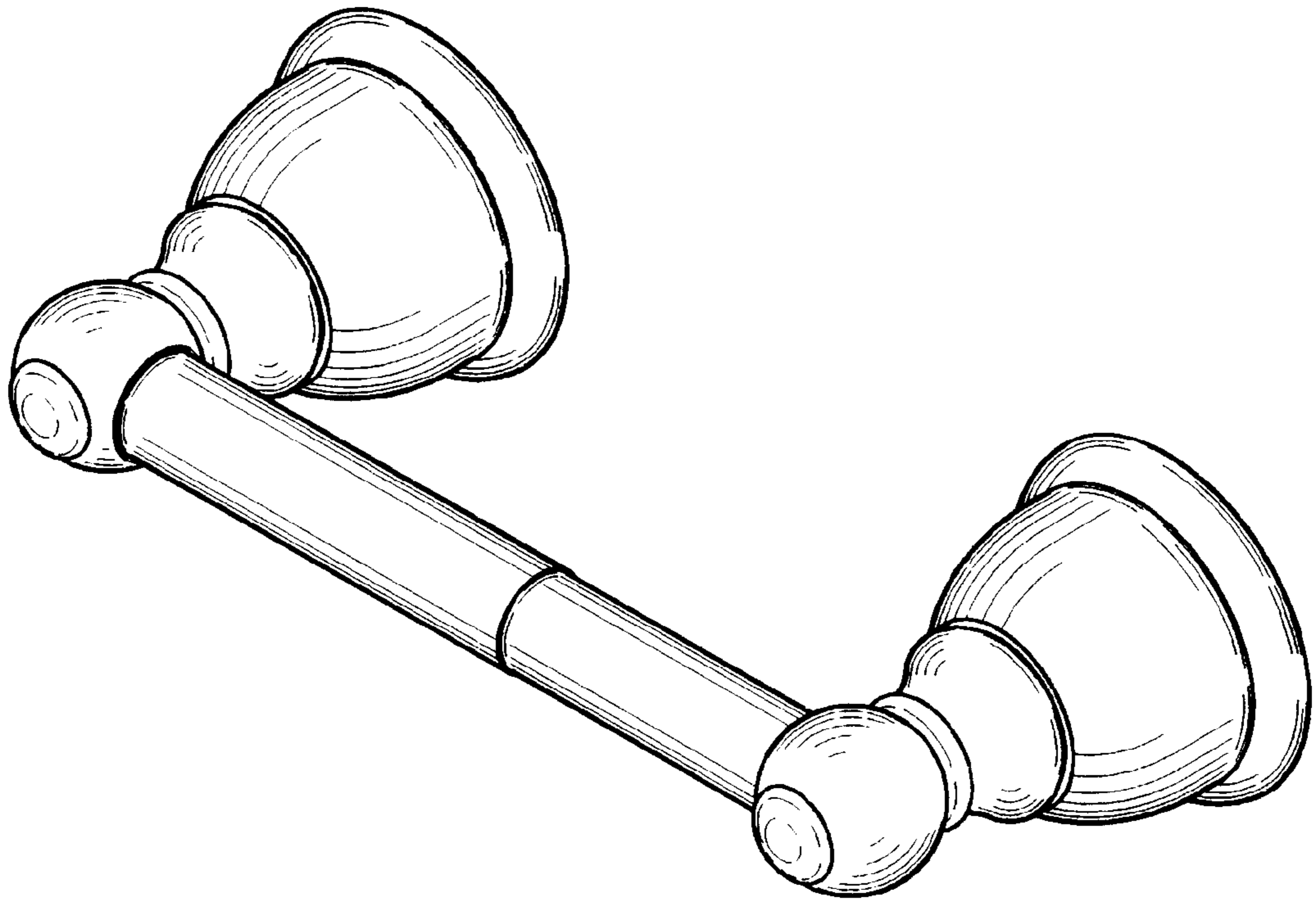


FIG. 1

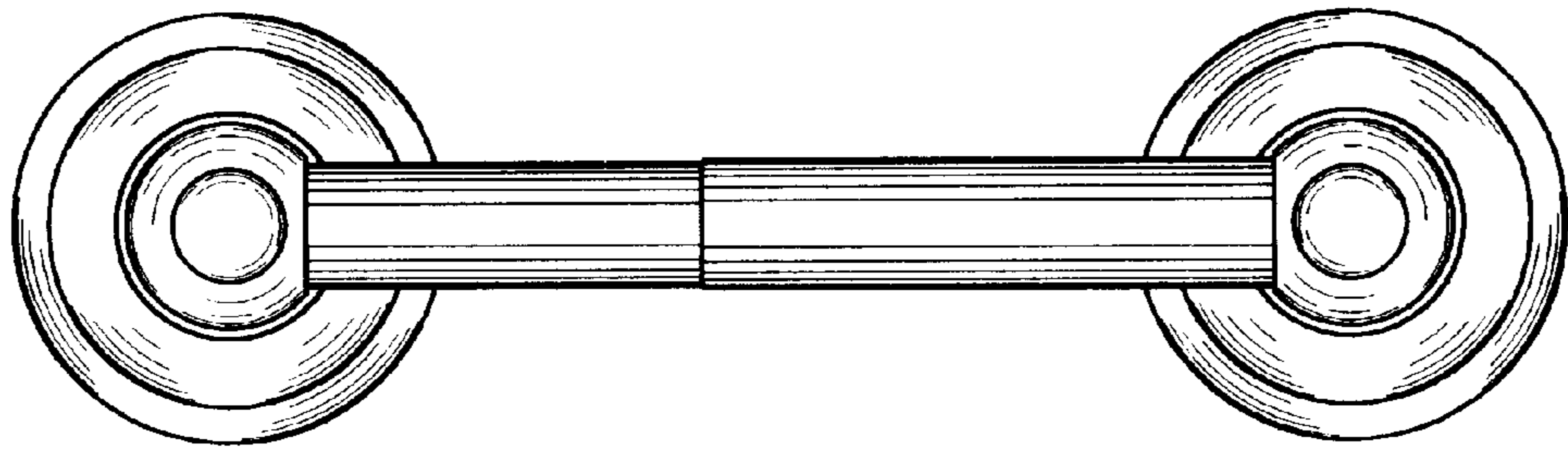


FIG. 2

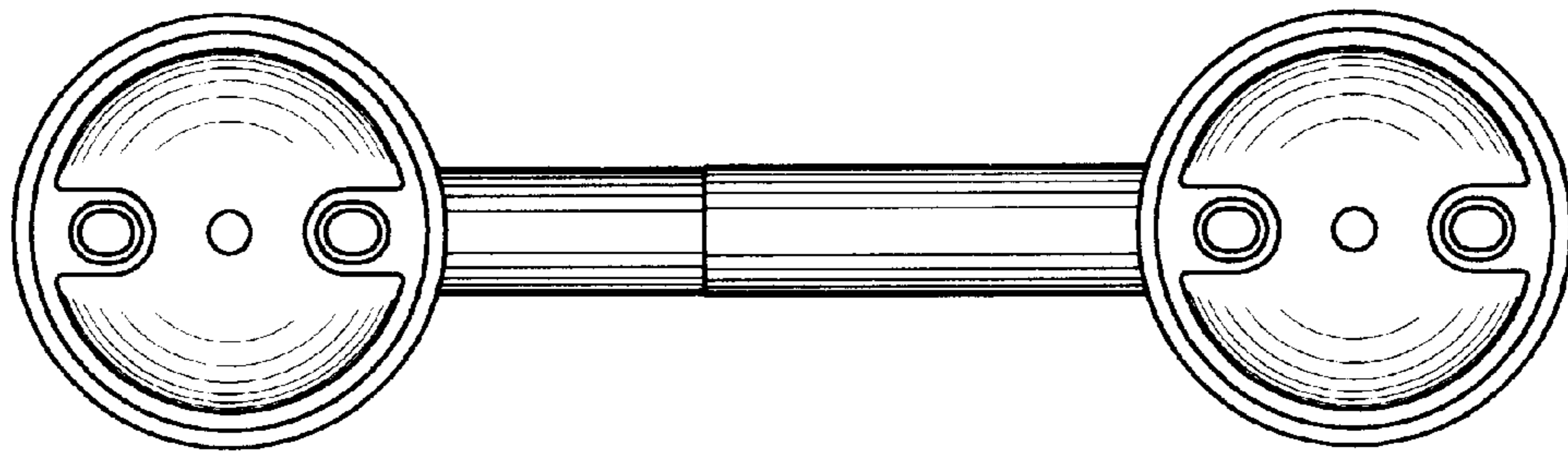


FIG. 3

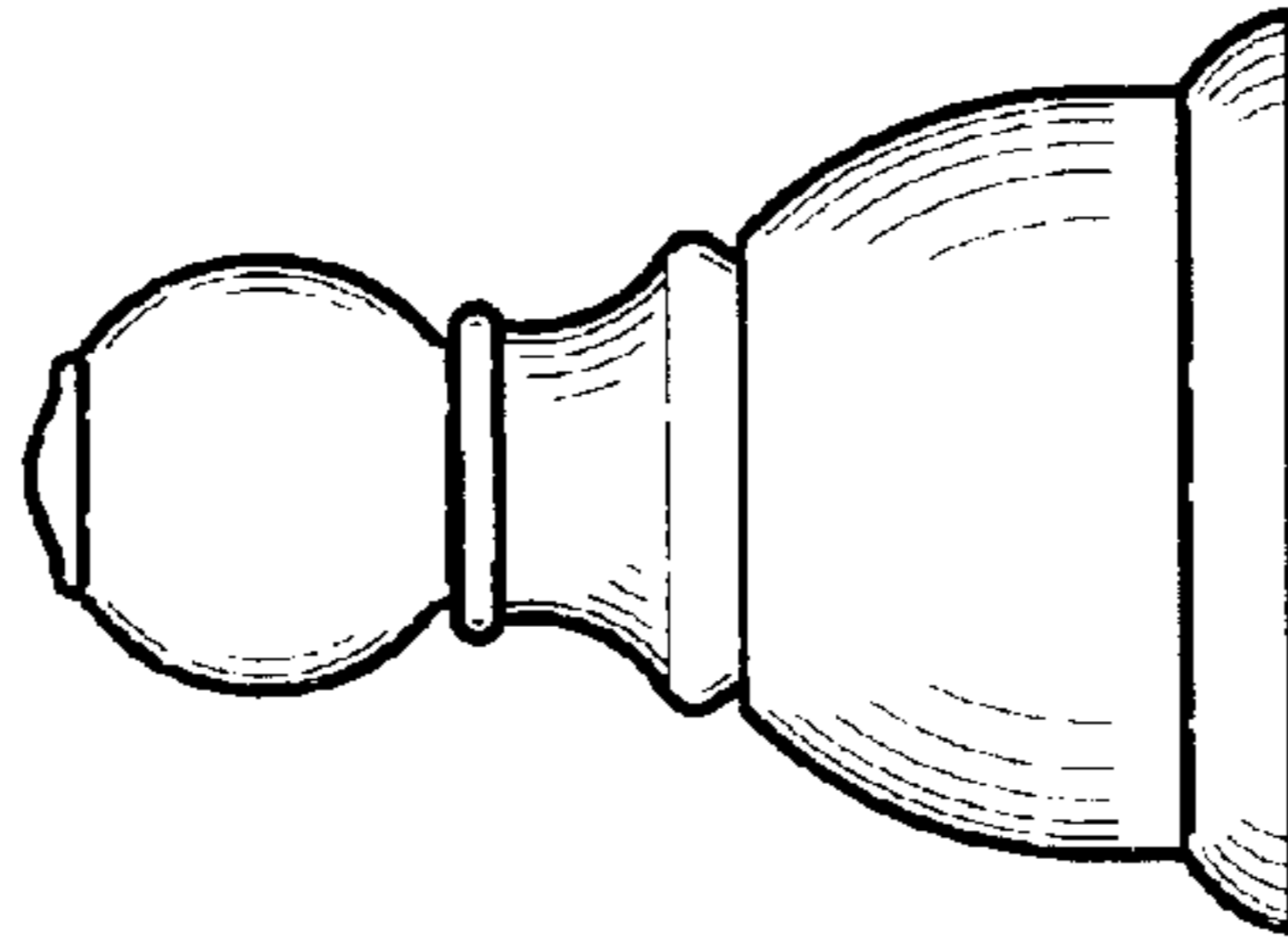


FIG. 4

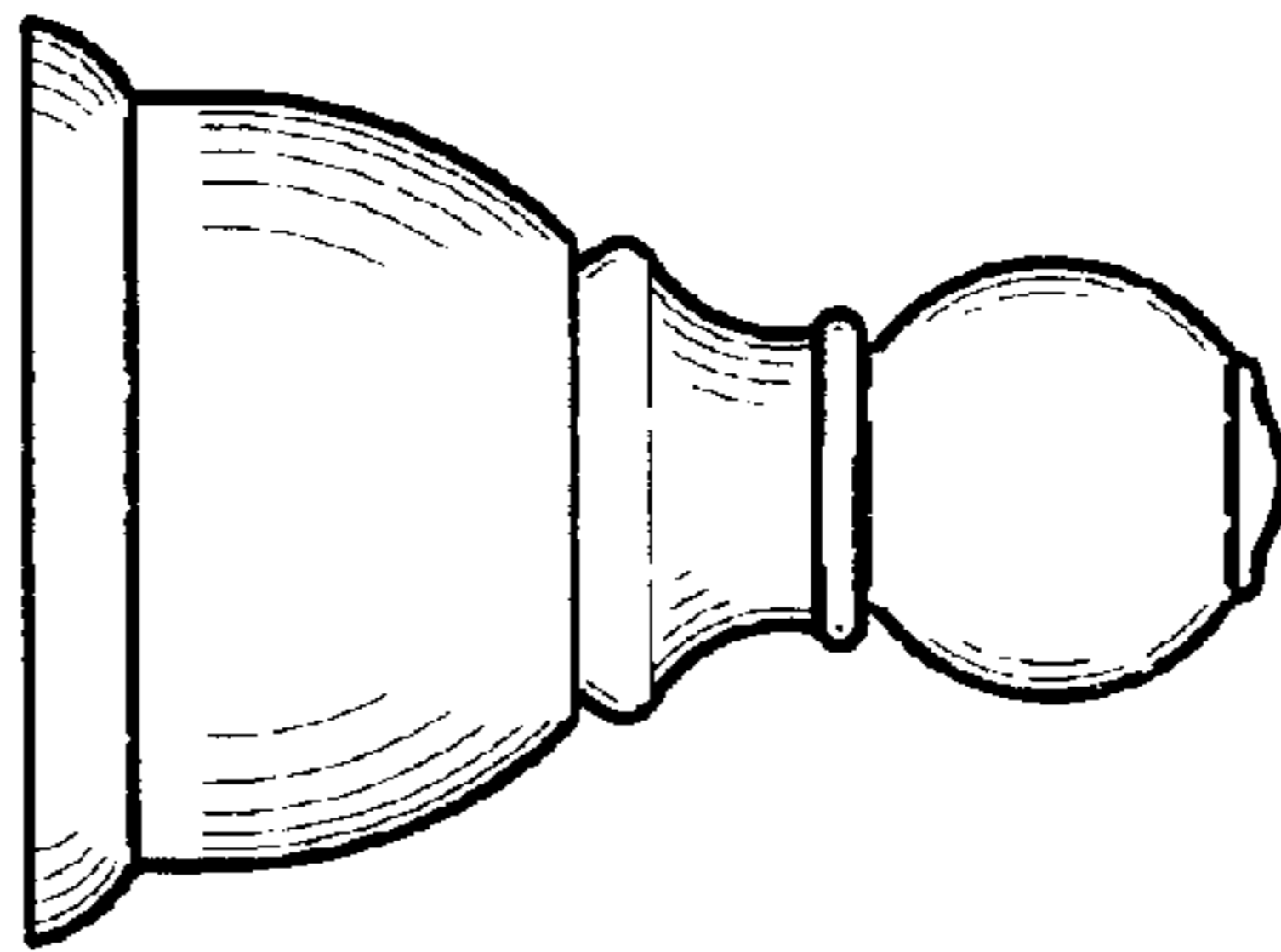


FIG. 5

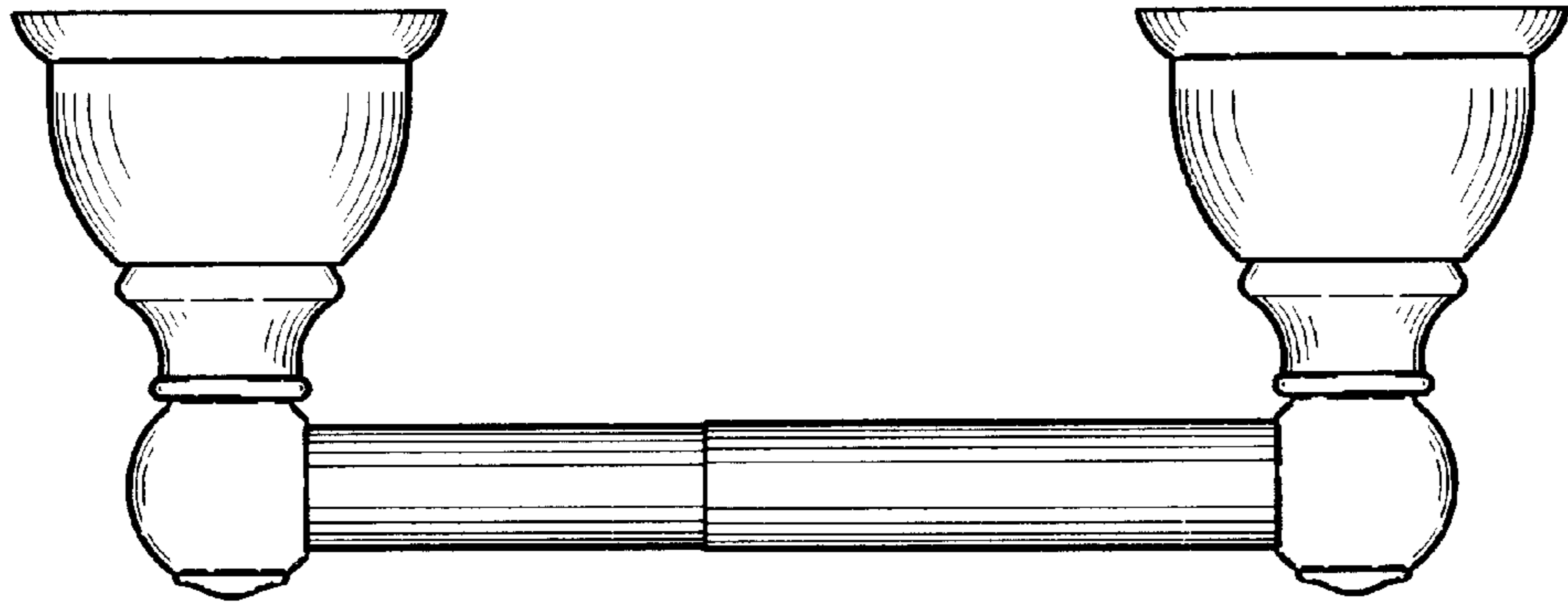


FIG. 6

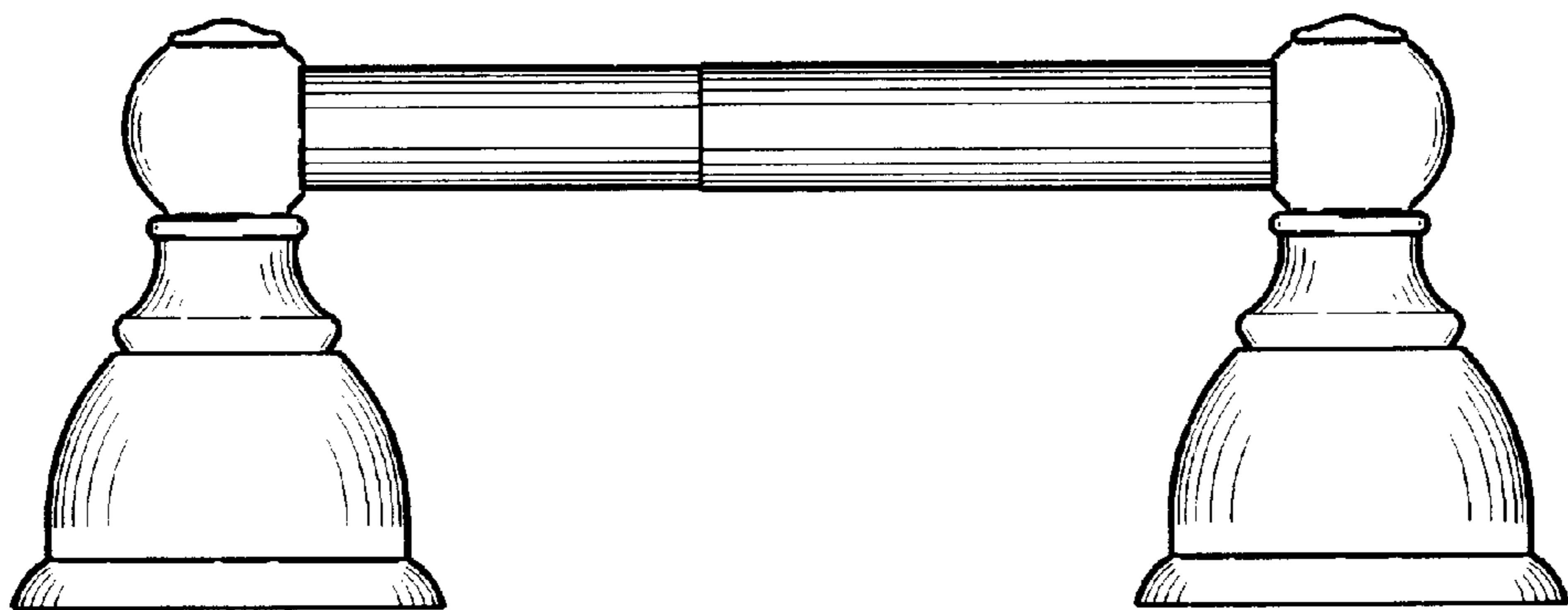


FIG. 7