



US00D436774S

(12) **United States Design Patent**
Engelstein et al.

(10) **Patent No.:** **US D436,774 S**

(45) **Date of Patent:** **** Jan. 30, 2001**

(54) **ROLLED TOWEL DISPENSER**

(75) Inventors: **Geoffrey M. Engelstein**, Bridgewater, NJ (US); **Victoria Lynn Brackney**, Atlanta; **Gary Earl Torkington**, Lawrenceville, both of GA (US)

(73) Assignee: **Kimberly-Clark Worldwide, Inc.**, Neenah, WI (US)

(**) Term: **14 Years**

(21) Appl. No.: **29/118,218**

(22) Filed: **Feb. 4, 2000**

(51) **LOC (7) Cl.** **23-02**

(52) **U.S. Cl.** **D6/522; D6/523**

(58) **Field of Search** **D6/518-523; 242/570, 242/590, 595; 312/34.1, 34.8, 34.22, 34.24**

(56) **References Cited**

U.S. PATENT DOCUMENTS

D. 351,520 * 10/1994 Frazier et al. D6/523

D. 351,749 * 10/1994 Omdoll et al. D6/523

D. 414,062 * 9/1999 Chang D6/522

4,872,601 * 10/1989 Sigmund 242/595 X

* cited by examiner

Primary Examiner—Brian N. Vinson

(74) *Attorney, Agent, or Firm*—Scott B. Garrison

(57) **CLAIM**

We claim the ornamental design for a rolled towel dispenser, as shown and described.

DESCRIPTION

FIG. 1 is a right front perspective view of the rolled towel dispenser;

FIG. 2 is a front view thereof;

FIG. 3 is a right side view thereof;

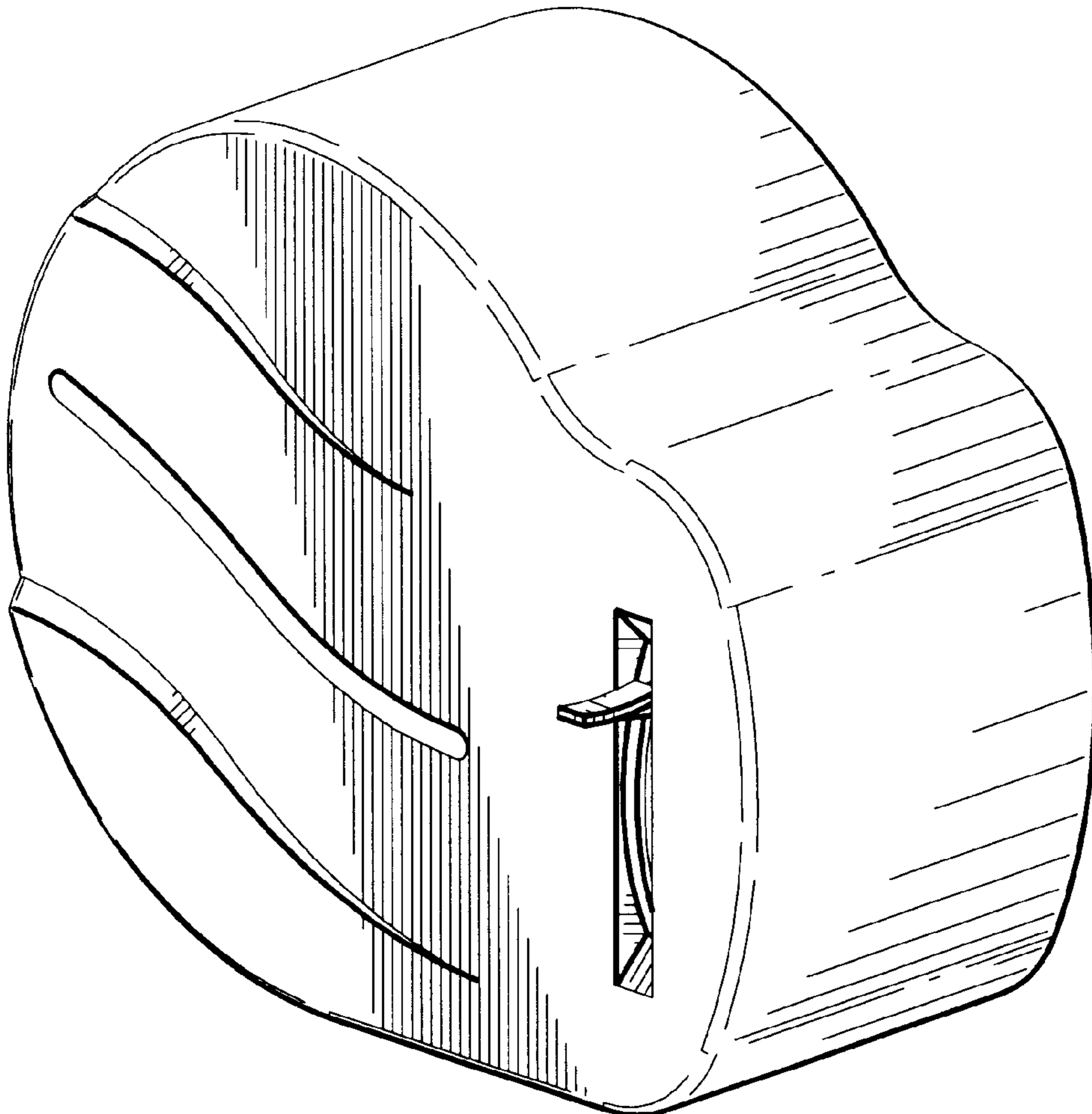
FIG. 4 is a rear view thereof;

FIG. 5 is a left side view thereof;

FIG. 6 is a top view thereof; and,

FIG. 7 is a bottom view thereof.

1 Claim, 7 Drawing Sheets



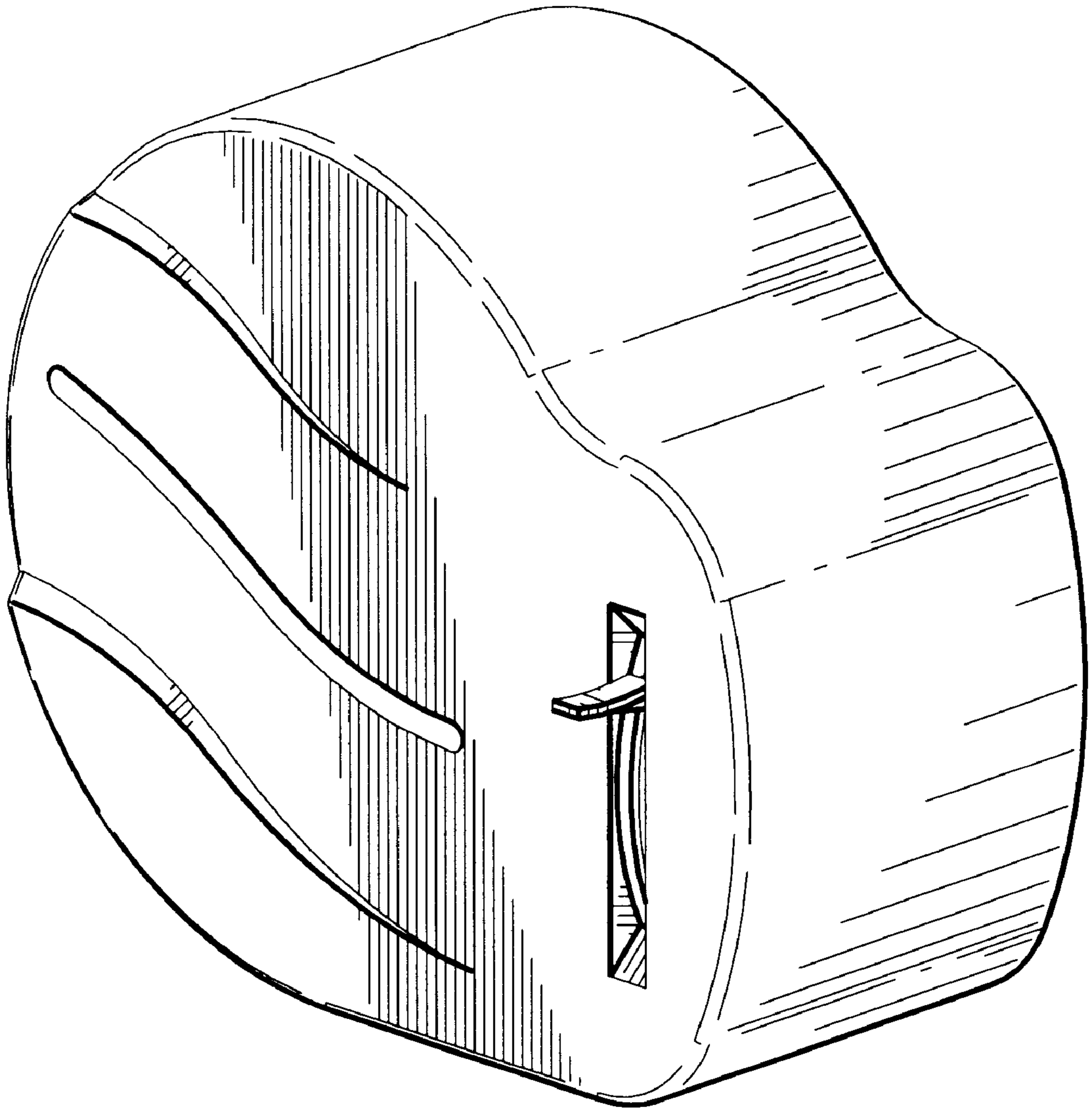


FIG 1

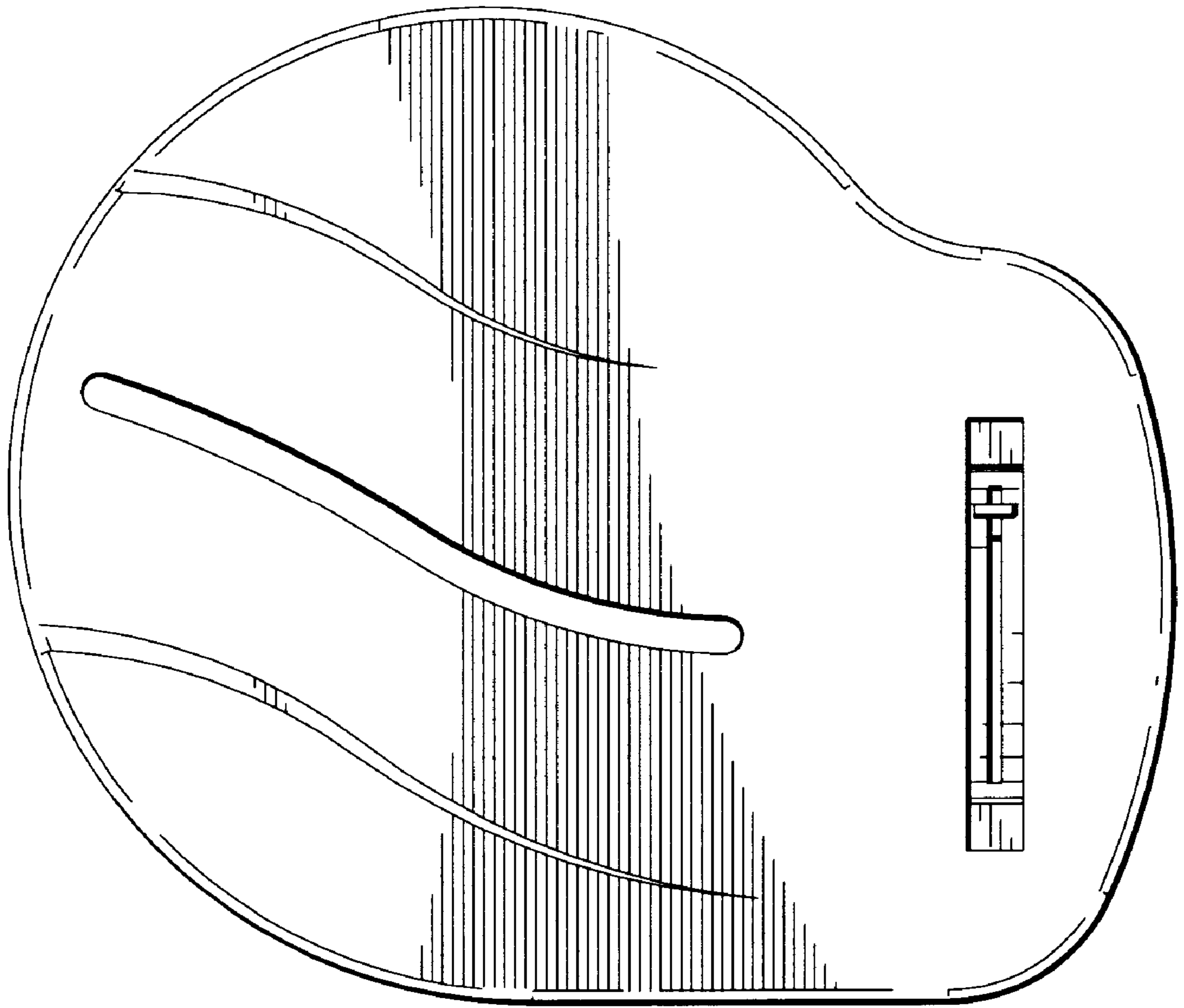


FIG 2

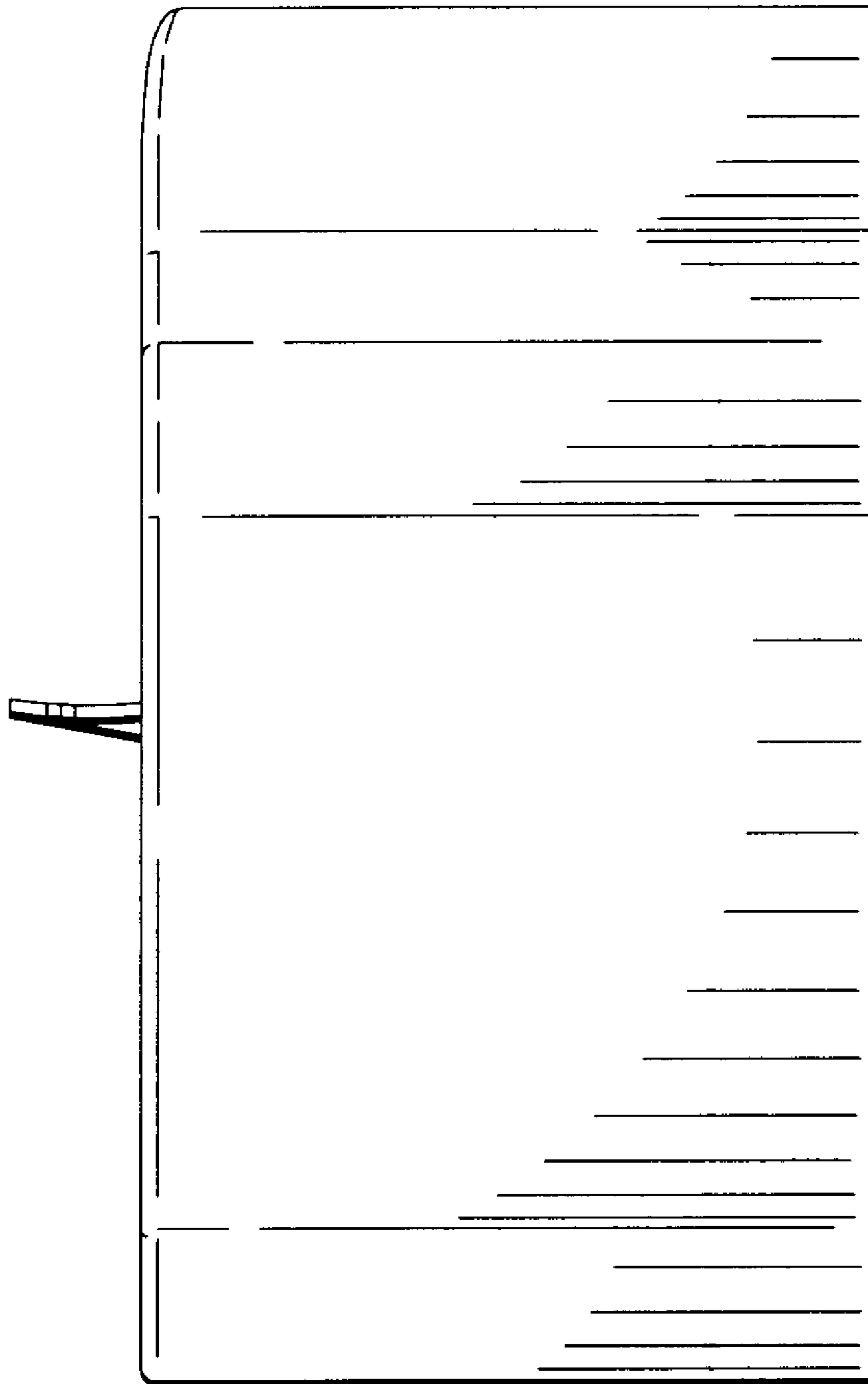


FIG 3

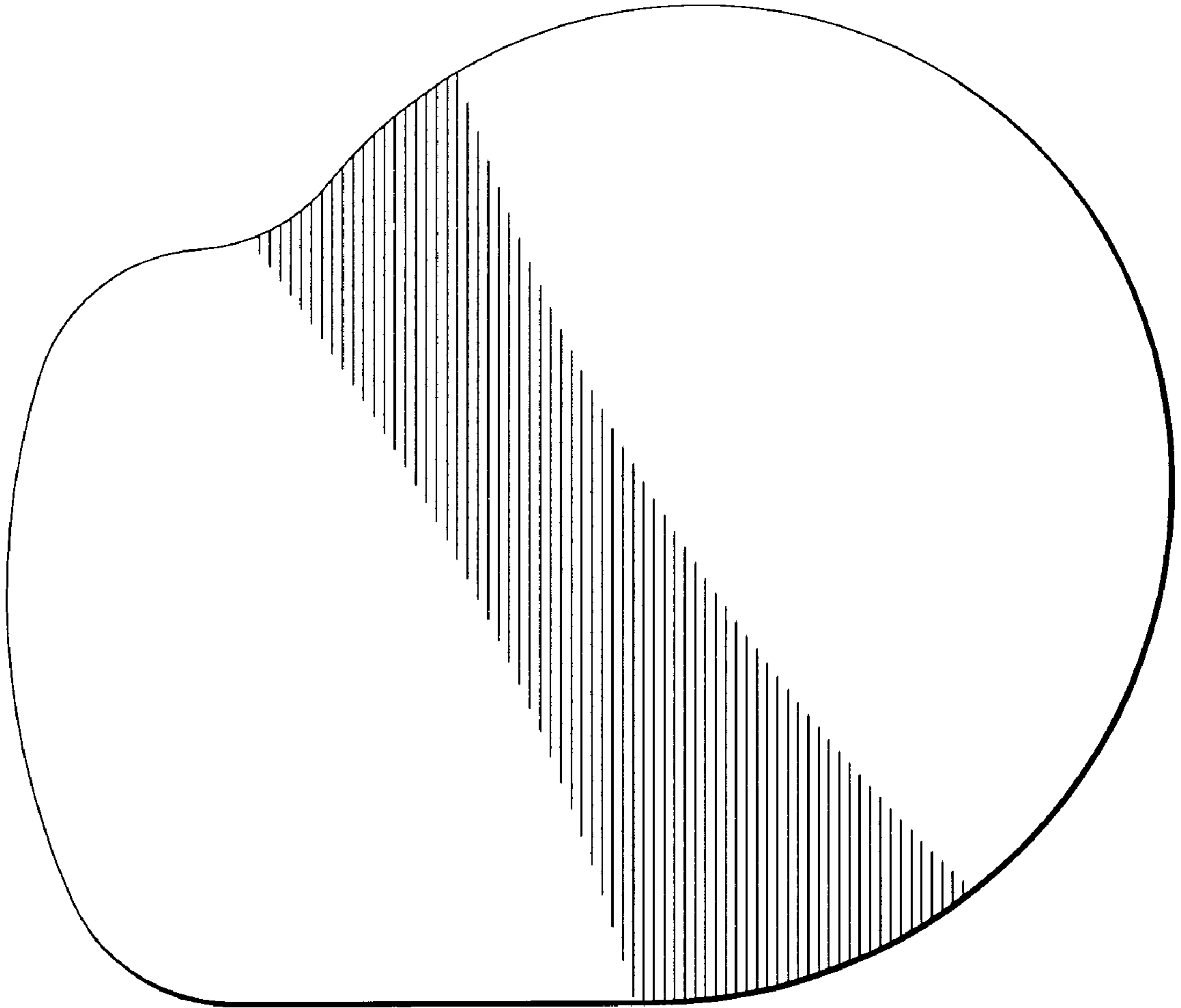


FIG 4

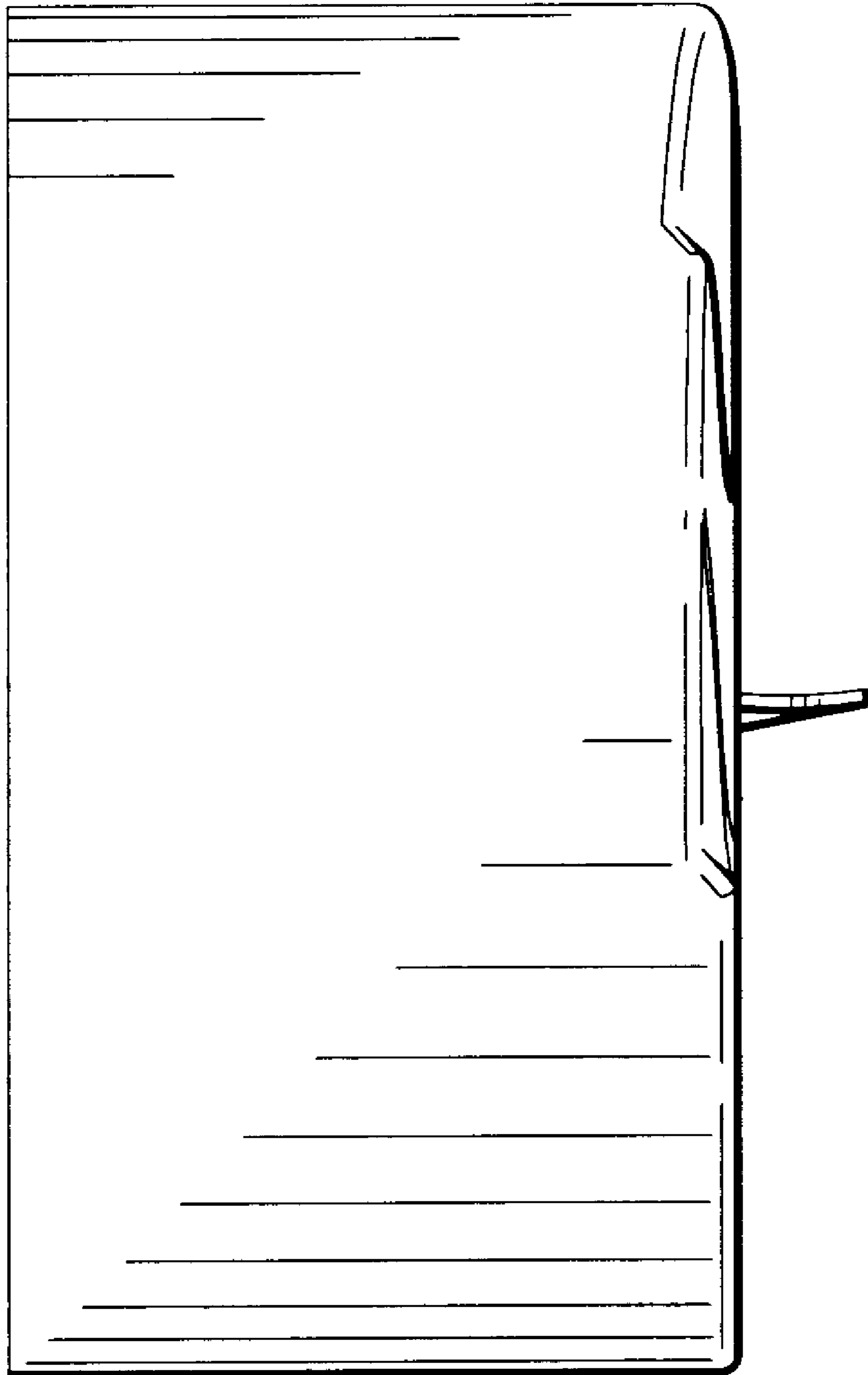


FIG 5

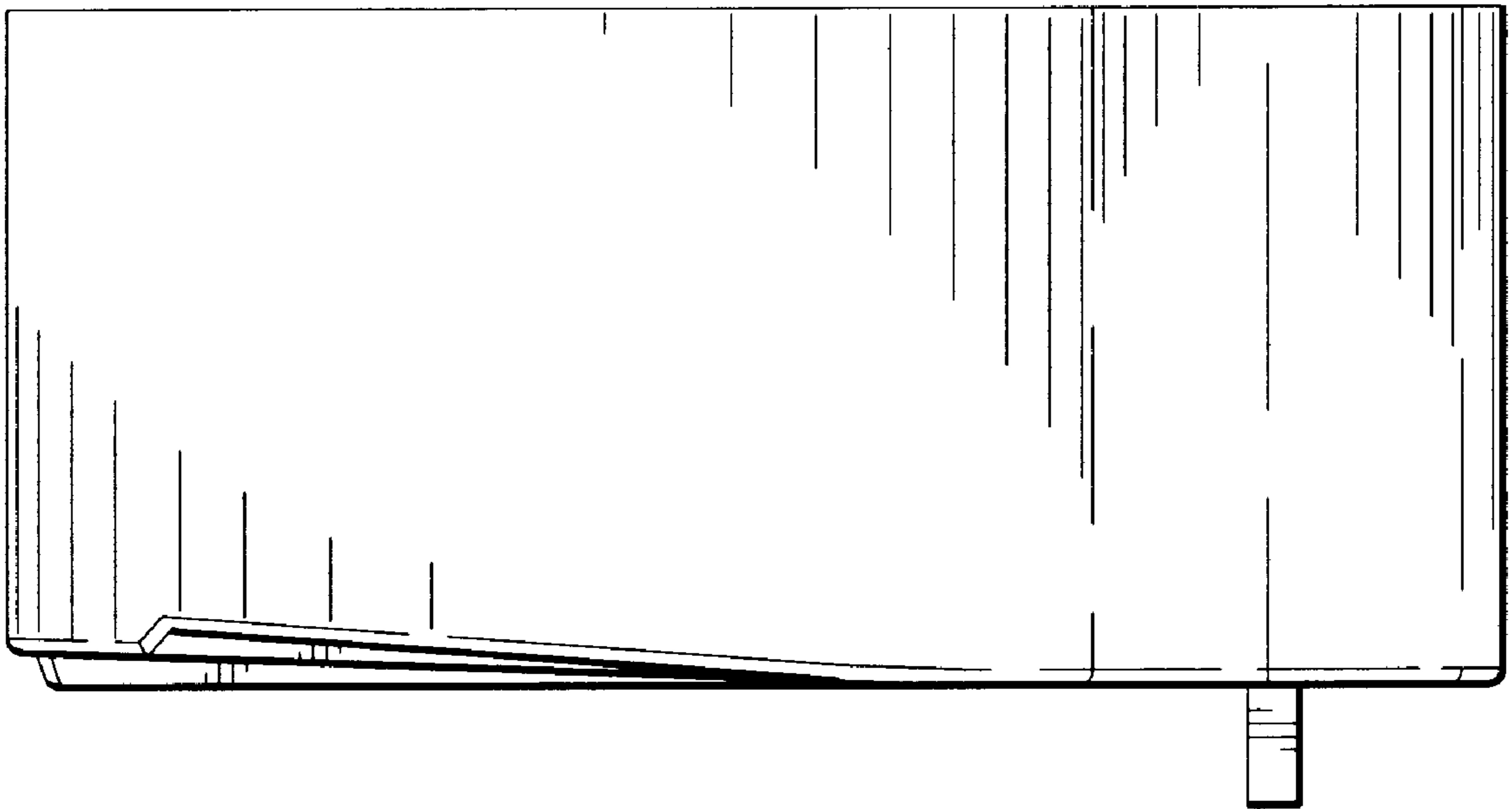


FIG 6

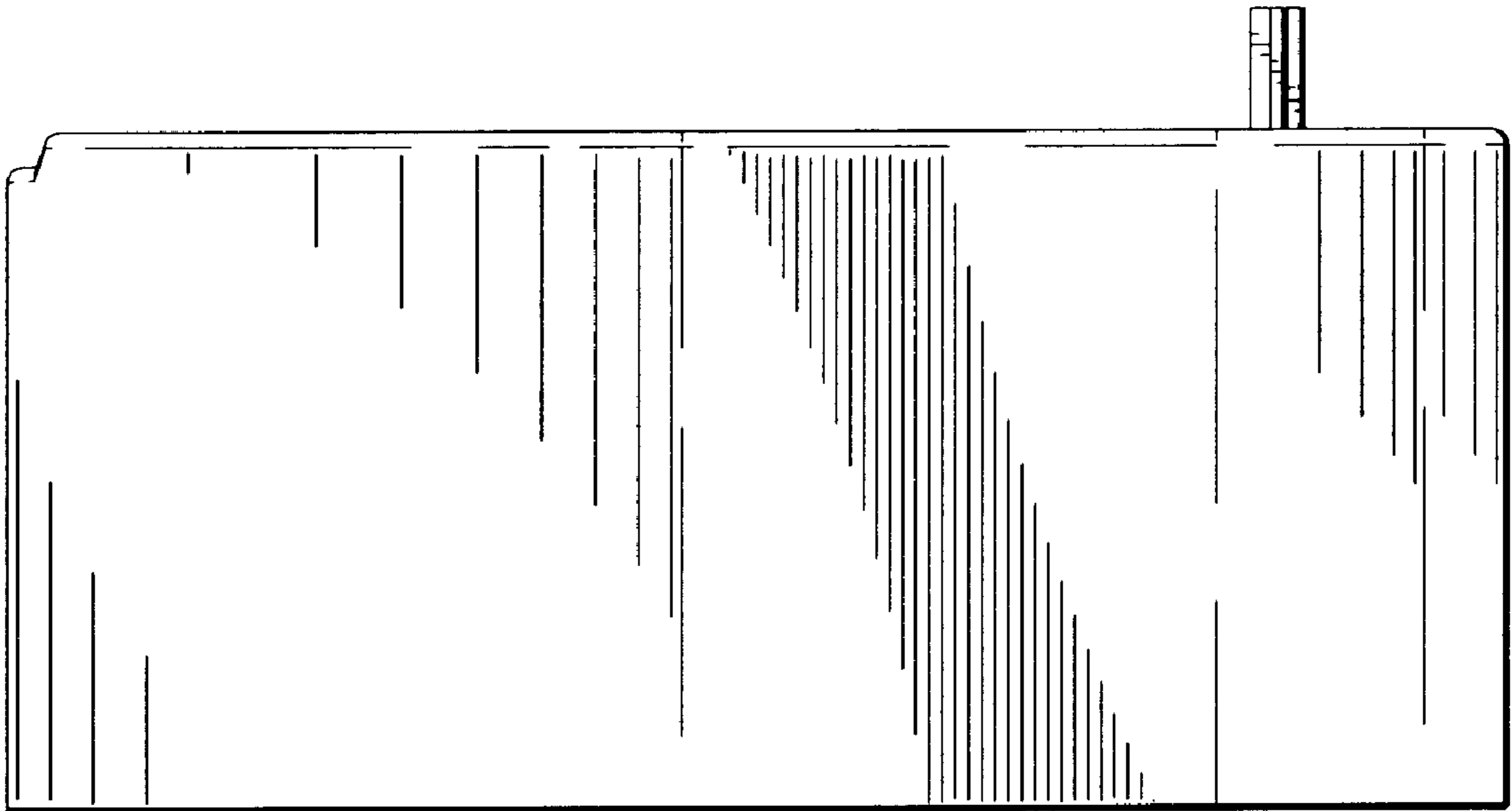


FIG 7