



US00D436773S

(12) **United States Design Patent**
D'Ambrosio et al.

(10) **Patent No.:** **US D436,773 S**

(45) **Date of Patent:** **** Jan. 30, 2001**

(54) **GRAVITY FEED DISPLAY**

3,228,556 * 1/1966 Nonesteid 222/181.1 X

(75) Inventors: **Frank D'Ambrosio; Dan Armyn**, both
of Mt. Vernon, NY (US)

* cited by examiner

(73) Assignee: **Philip Morris Incorporated**,
Richmond, VA (US)

Primary Examiner—Brian N. Vinson

(74) *Attorney, Agent, or Firm*—Connolly Bove Lodge &
Hutz

(**) Term: **14 Years**

(57) **CLAIM**

(21) Appl. No.: **29/115,517**

The design for a gravity feed display, as shown and
described.

(22) Filed: **Dec. 15, 1999**

DESCRIPTION

Related U.S. Application Data

(62) Division of application No. 29/104,220, filed on Apr. 30,
1999.

FIG. 1 is a perspective view of a free standing gravity feed
display showing new design;

(51) **LOC (7) Cl.** **20-02**

FIG. 2 is a front elevational view thereof;

(52) **U.S. Cl.** **D6/515**

FIG. 3 is a right side elevational view thereof, the left side
elevational view being a mirror image duplicate thereof;

(58) **Field of Search** D6/515, 516, 517;
211/13.1, 15, 49.1; 221/282–285; 222/173,
180, 181.1, 181.2

FIG. 4 is a rear elevational view thereof;

FIG. 5 is a top plan view thereof;

FIG. 6 is a bottom plan view thereof;

FIG. 7 is a perspective view of the support base for the
gravity feed display shown in FIGS. 1–6;

FIG. 8 is a front elevational view thereof;

(56) **References Cited**

U.S. PATENT DOCUMENTS

- D. 365,952 * 1/1996 Gagnon et al. D6/515
- D. 369,249 * 4/1996 Loew D6/515 X
- D. 373,037 * 8/1996 Lotti D6/515
- D. 413,746 * 9/1999 Ford D6/515
- D. 414,636 * 10/1999 Wiese D6/515

FIG. 9 is a left side elevational view thereof and the right
side elevational view being a mirror image duplicate thereof;

FIG. 10 is a rear elevational view thereof;

FIG. 11 is a top plan view thereof; and,

FIG. 12 is a bottom plan view thereof.

1 Claim, 4 Drawing Sheets

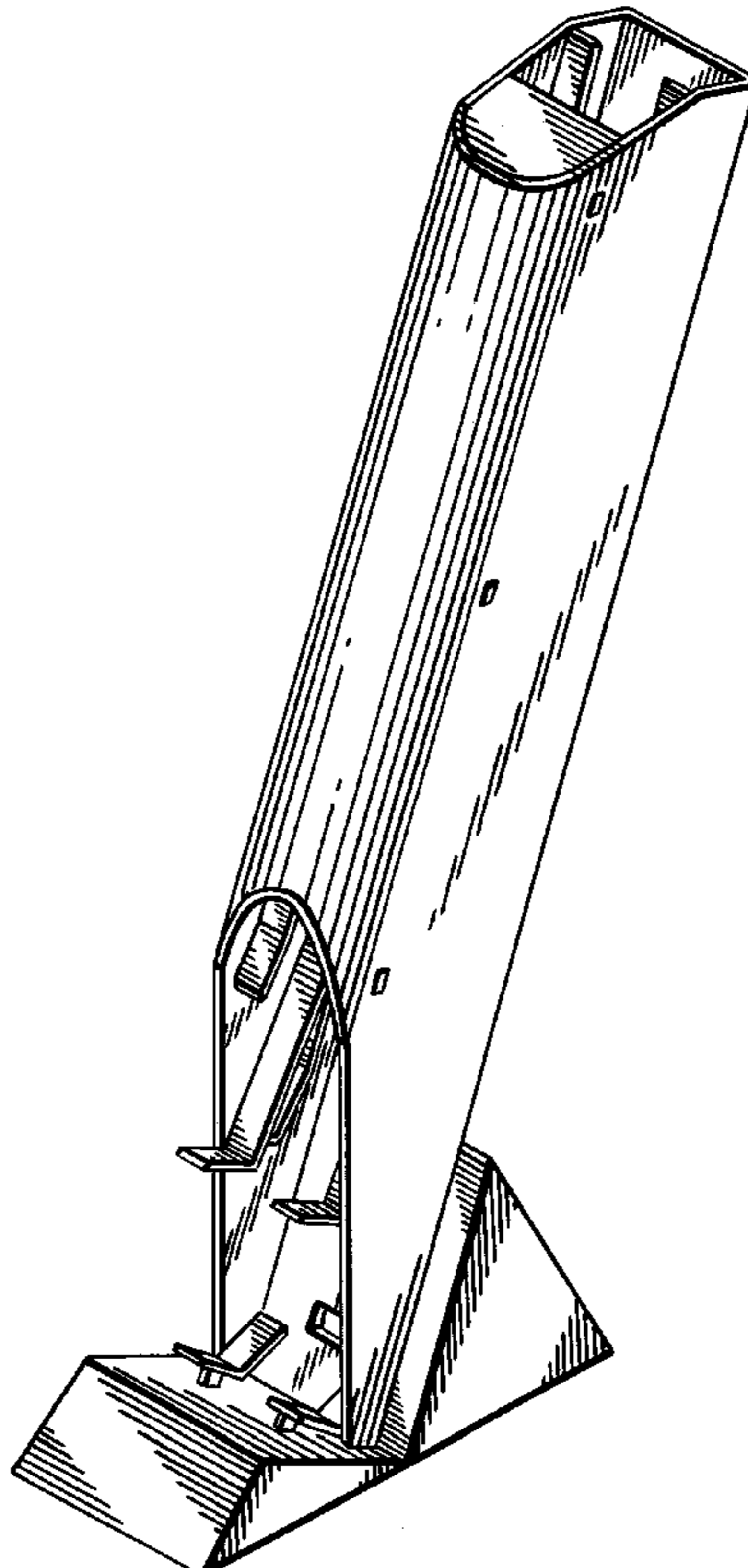


Fig. 1.

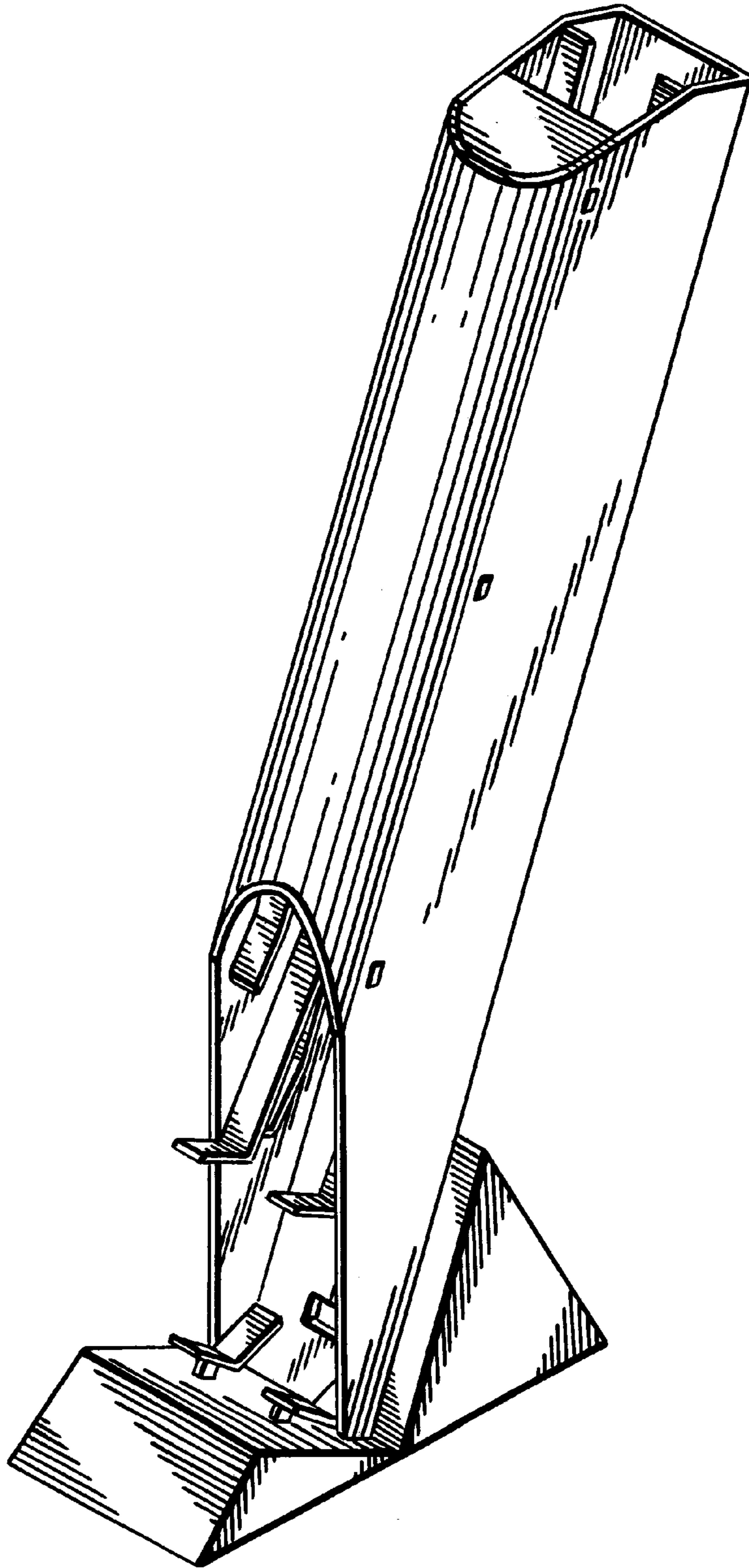


Fig. 2.

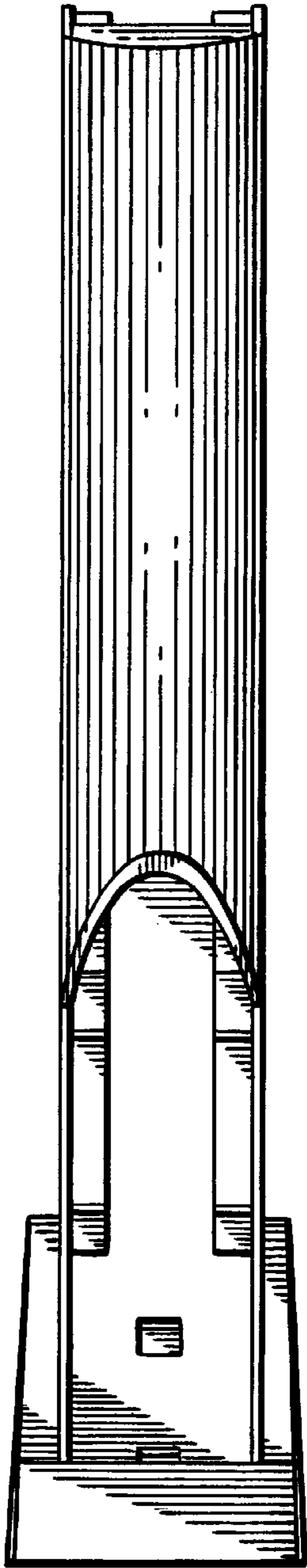


Fig. 5.

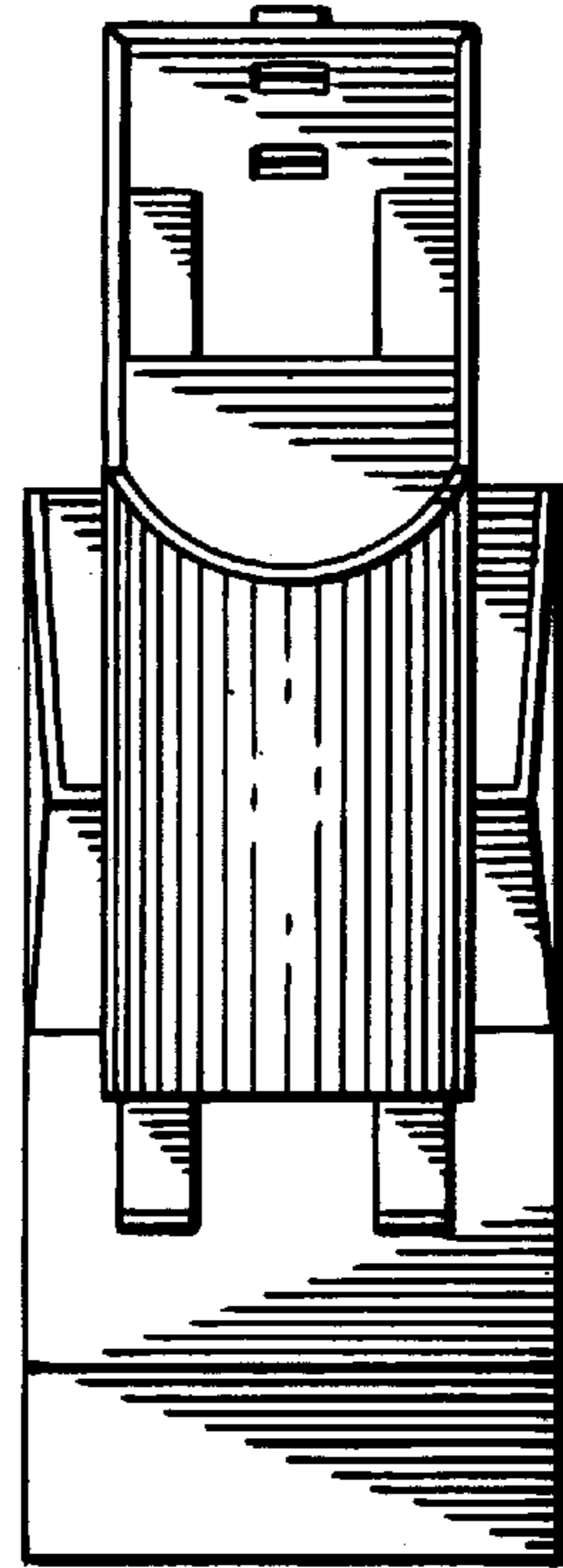


Fig. 6.

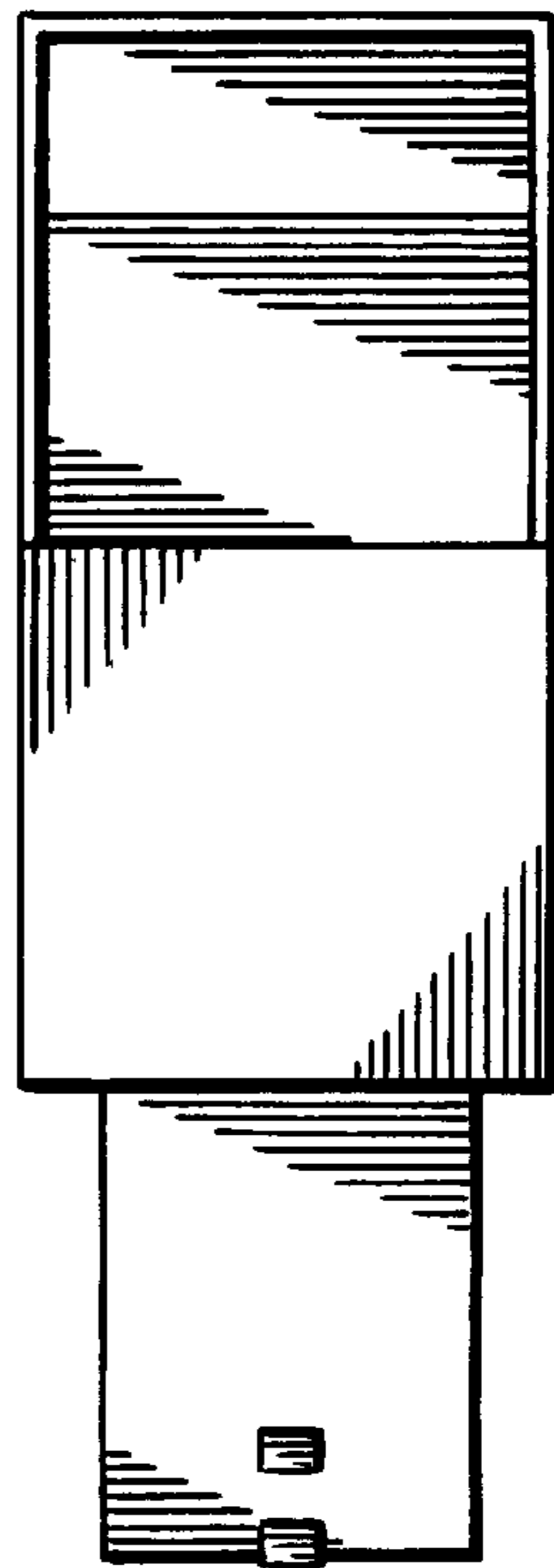


Fig. 3.

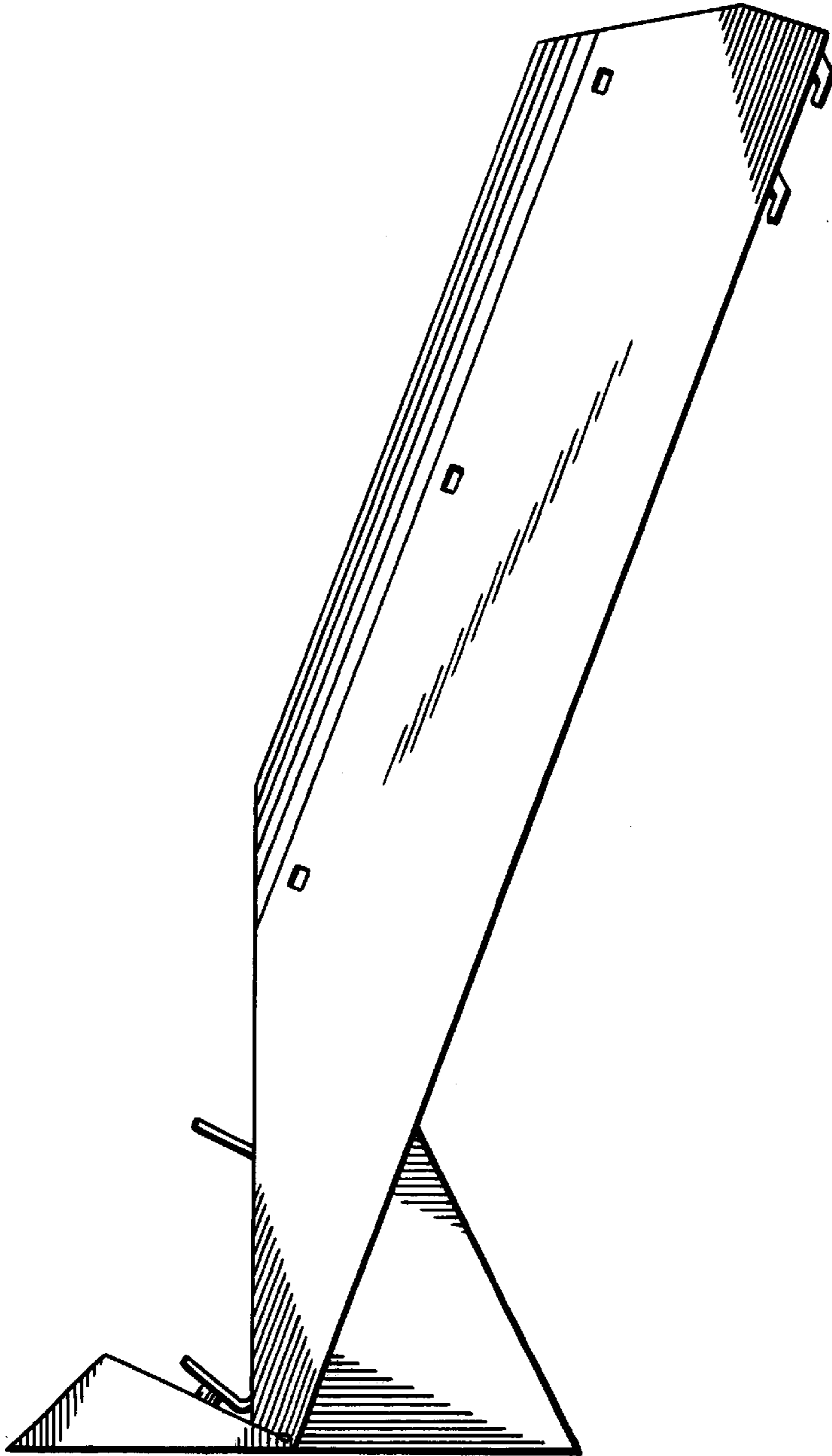


Fig. 4.

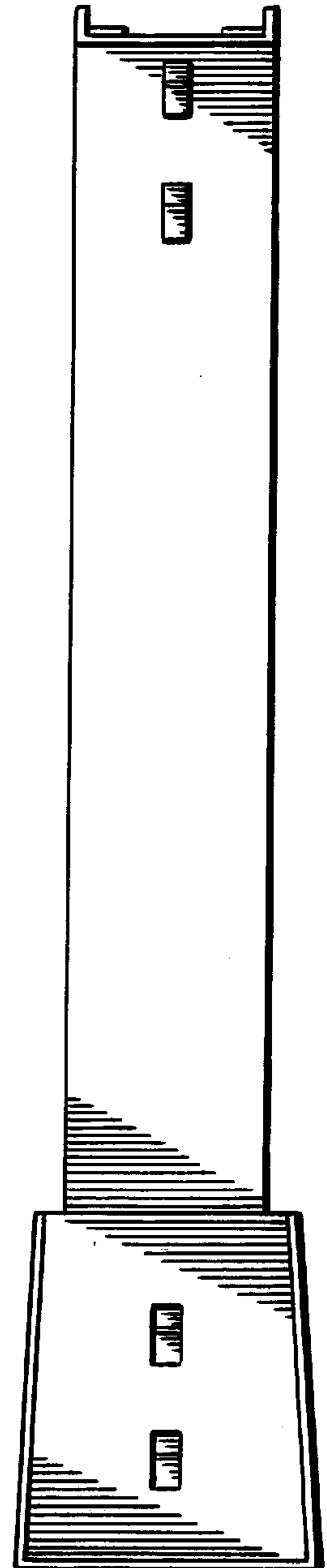


Fig. 7.

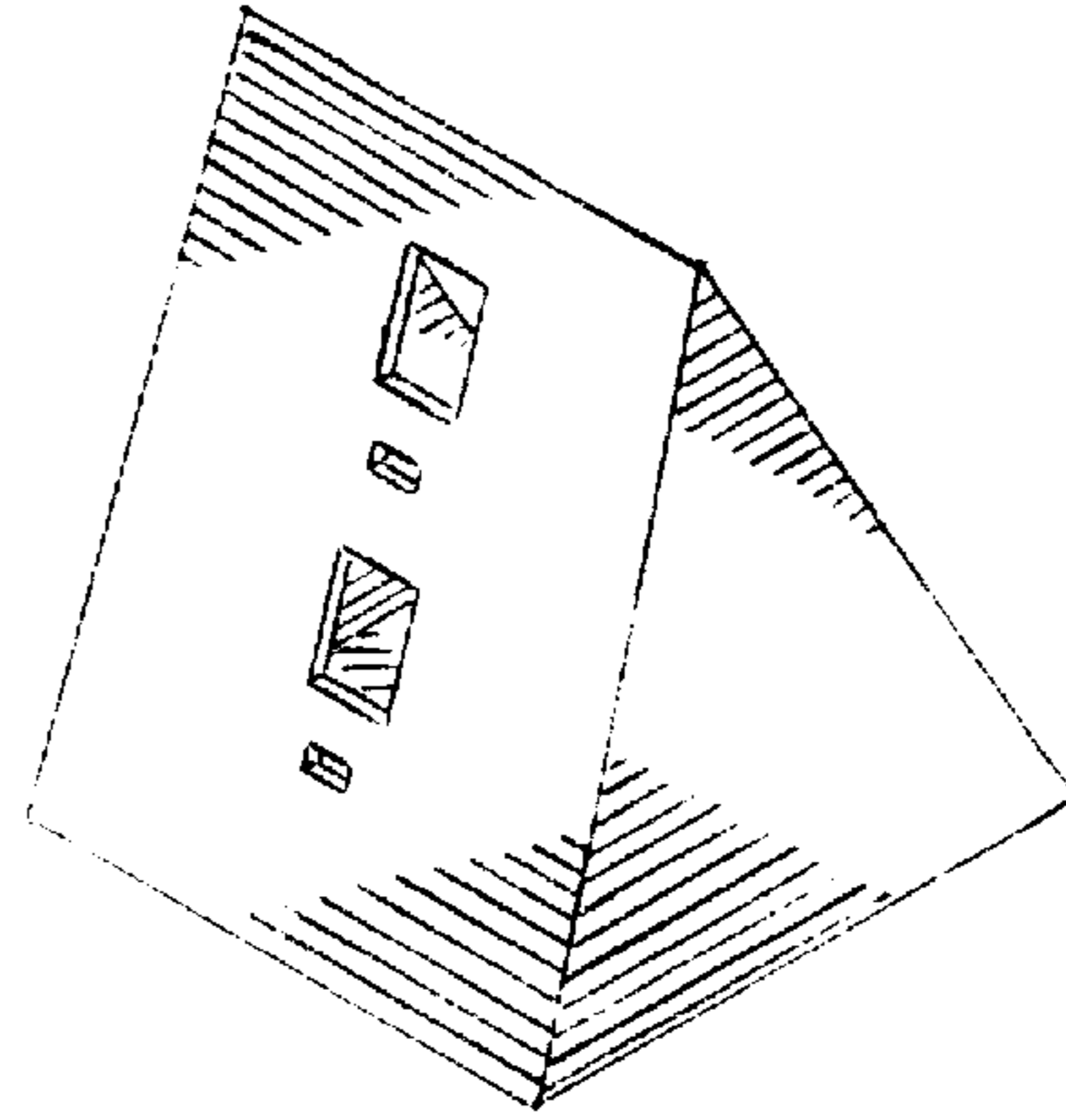


Fig. 11.

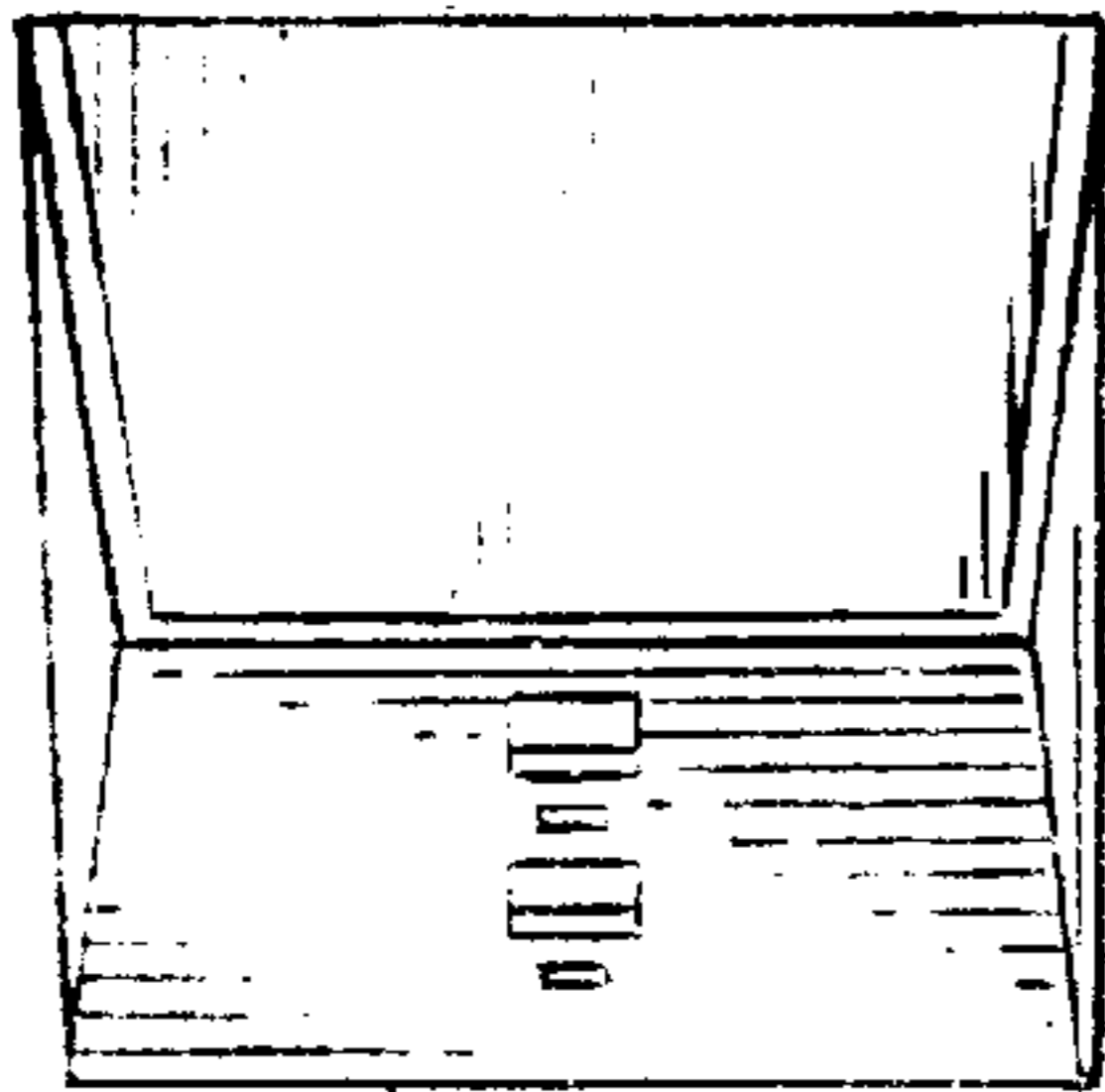


Fig. 10.

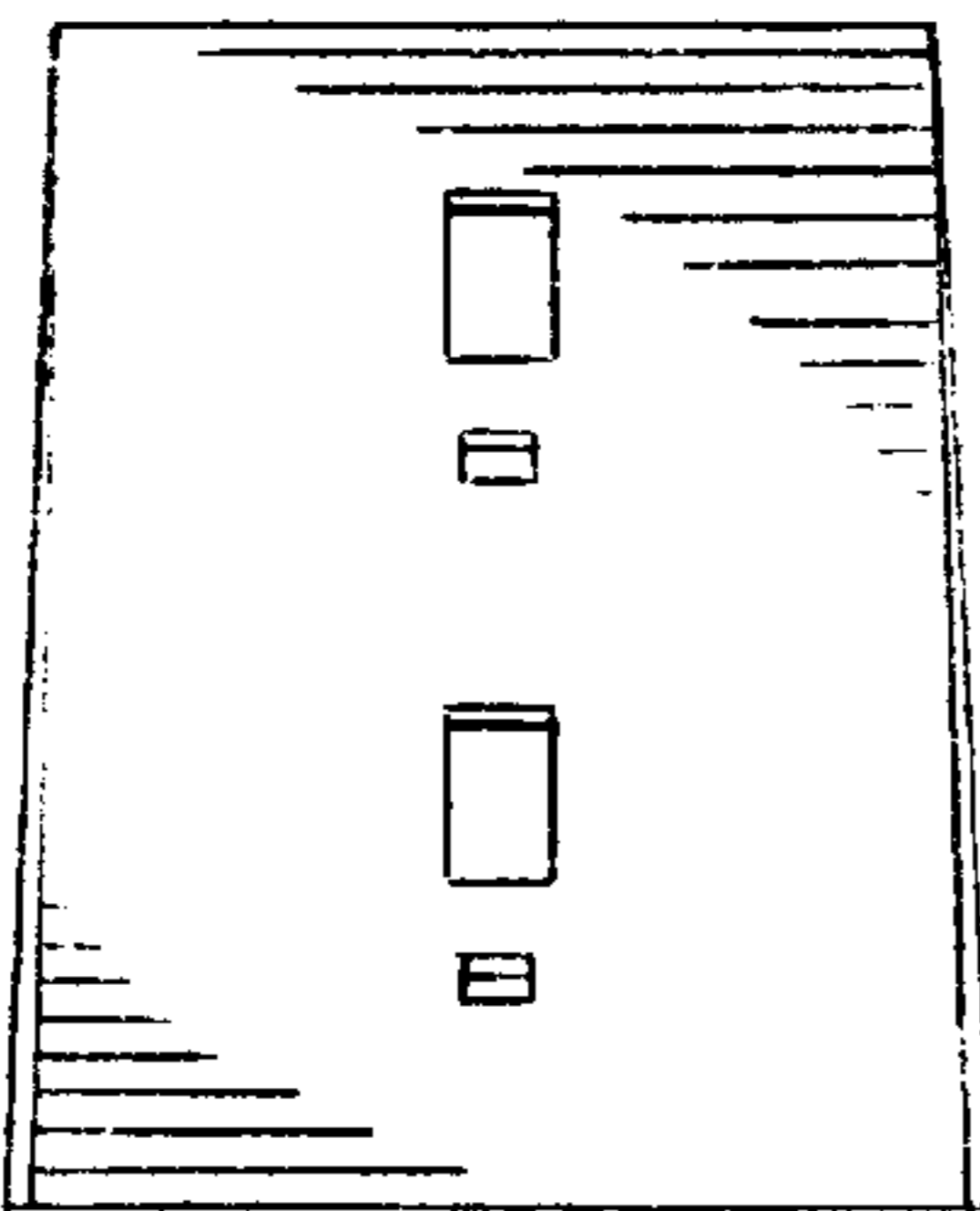


Fig. 9.

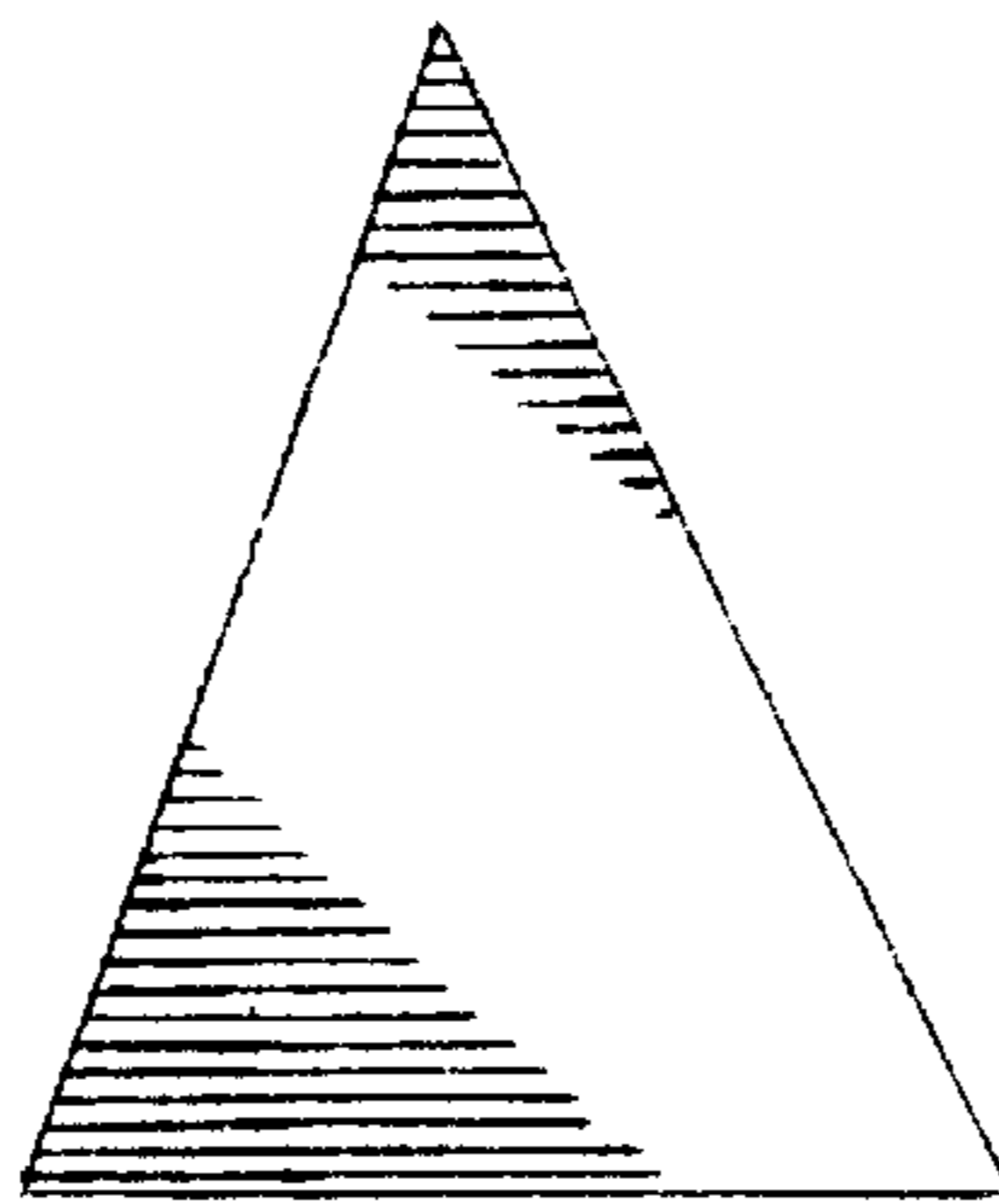


Fig. 8.

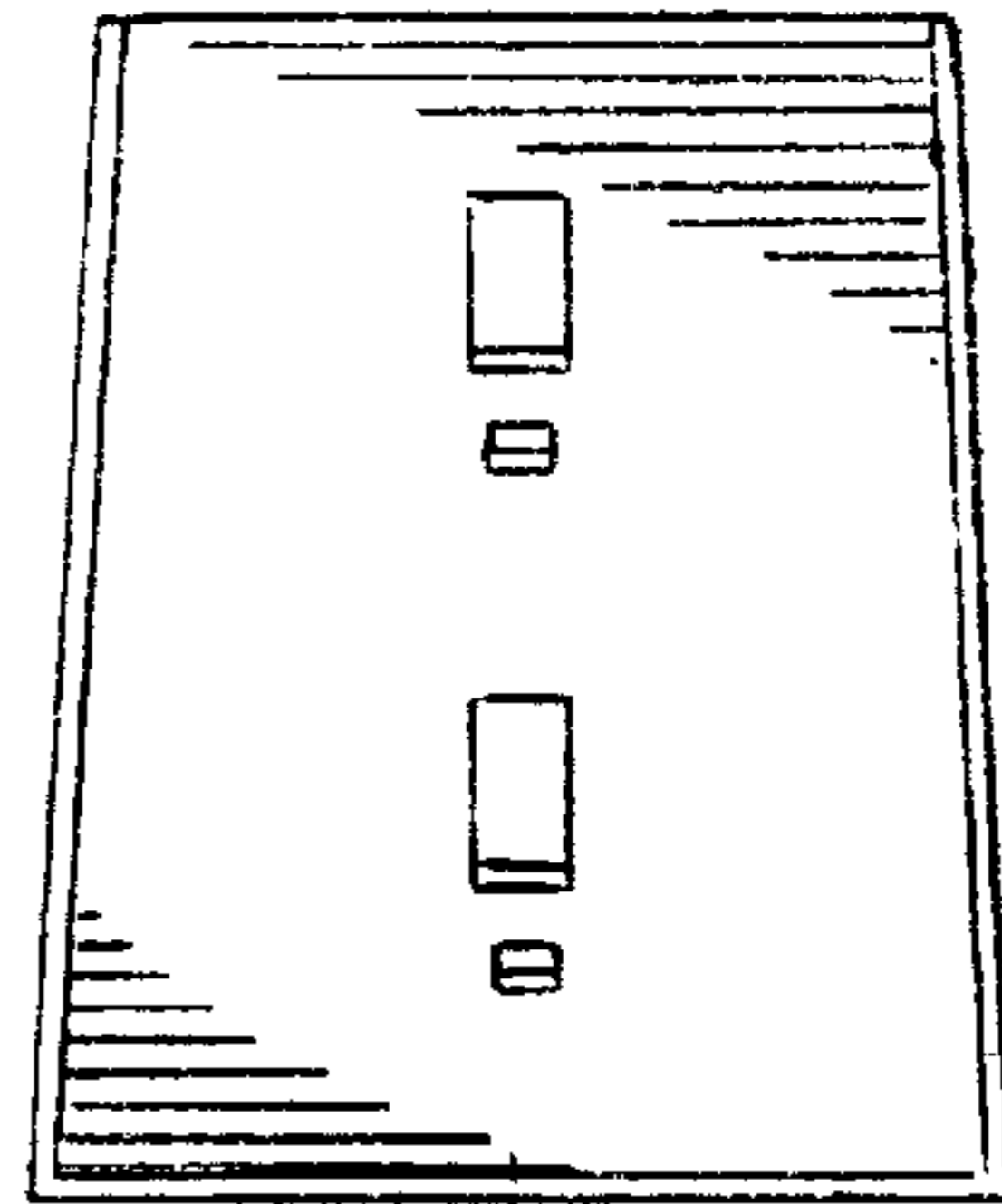


Fig. 12.

