



US00D436771S

(12) **United States Design Patent**
Zaidman

(10) **Patent No.:** **US D436,771 S**

(45) **Date of Patent:** **** Jan. 30, 2001**

(54) **SIDE STRUCTURE FOR CASEGOODS**

(75) Inventor: **S. Paul Zaidman**, Winnipeg (CA)

(73) Assignee: **Palliser Furniture Ltd.**, Winnipeg (CA)

(**) Term: **14 Years**

(21) Appl. No.: **29/099,907**

(22) Filed: **Jan. 29, 1999**

(51) **LOC (7) Cl.** **06-06**

(52) **U.S. Cl.** **D6/509; D6/445**

(58) **Field of Search** **D6/432-448; 312/204, 312/257**

(56) **References Cited**

U.S. PATENT DOCUMENTS

D. 113,140	*	1/1939	Haag	D6/428
D. 114,179	*	4/1939	Hanson	D6/445
D. 114,444	*	4/1939	Fay	D6/445
D. 133,694	*	9/1942	Buckner	D6/441
D. 263,265	*	3/1982	Henley, Jr.	D6/445
D. 330,814	*	11/1992	Reuschel	D6/447 X
D. 404,590	*	1/1999	Tabbia	D6/445

* cited by examiner

Primary Examiner—Cathron Brooks

(74) *Attorney, Agent, or Firm*—Barnes & Thornburg

(57) **CLAIM**

The ornamental design for a side structure for casegoods, as shown and described.

DESCRIPTION

FIG. 1 is a right side perspective view of a side structure for casegoods showing my new design;

FIG. 2 is a front elevational view thereof;

FIG. 3 is a left side elevational view thereof;

FIG. 4 is a right side perspective view of a second embodiment of the side structure for casegoods shown in FIG. 1;

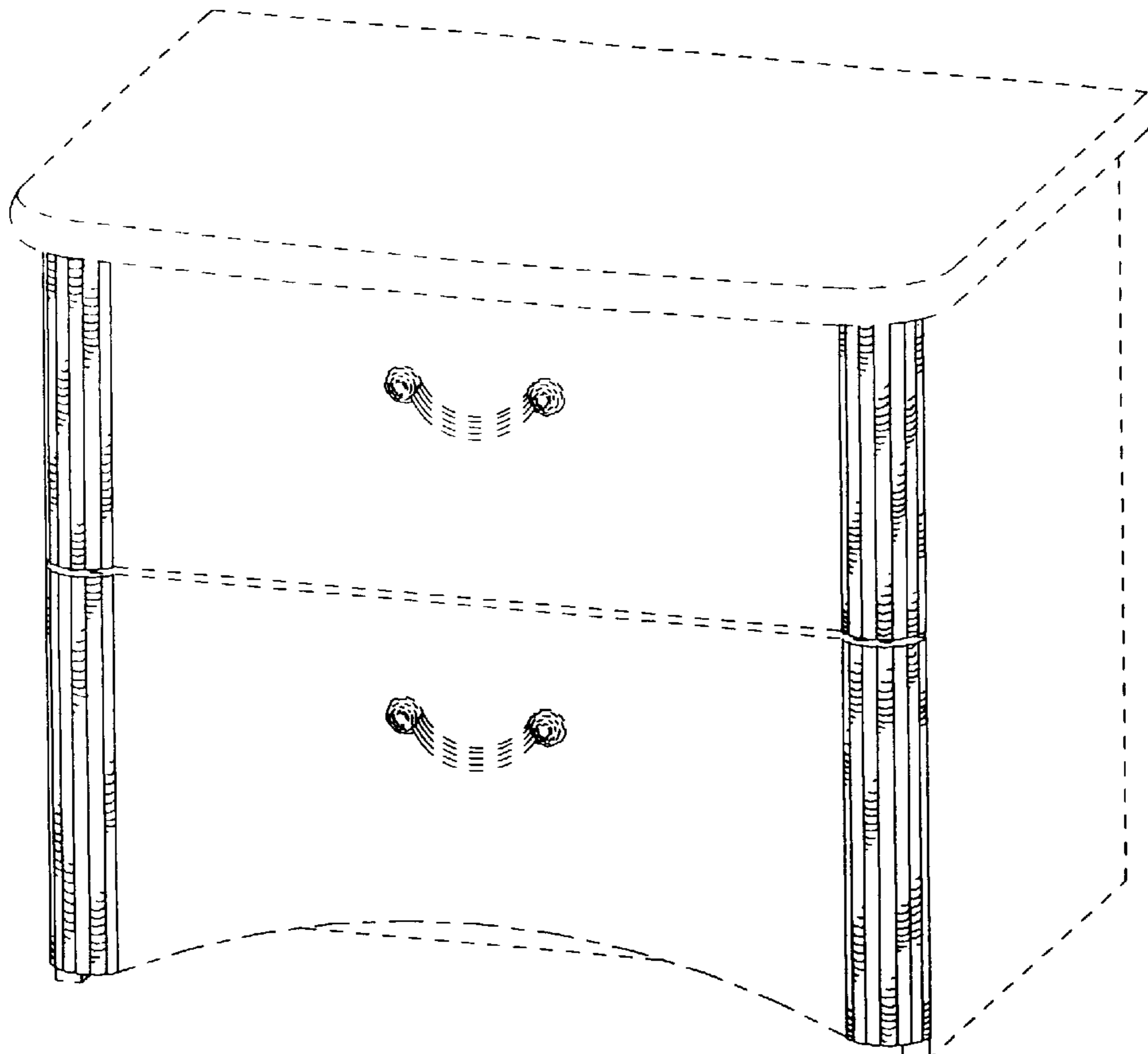
FIG. 5 is a left side perspective view of a third embodiment of the side structure for casegoods shown in FIG. 1; and,

FIG. 6 is a cross-sectional view through the side structure for casegoods of FIGS. 1, 4 and 5.

The front and side elevational views not shown of the embodiments shown in FIGS. 4 and 5 are identical to those of the first embodiment, except for the change in height and drawer spacing.

The broken line showing of casegoods is for illustrative purposes only and forms no part of the claimed design.

1 Claim, 4 Drawing Sheets



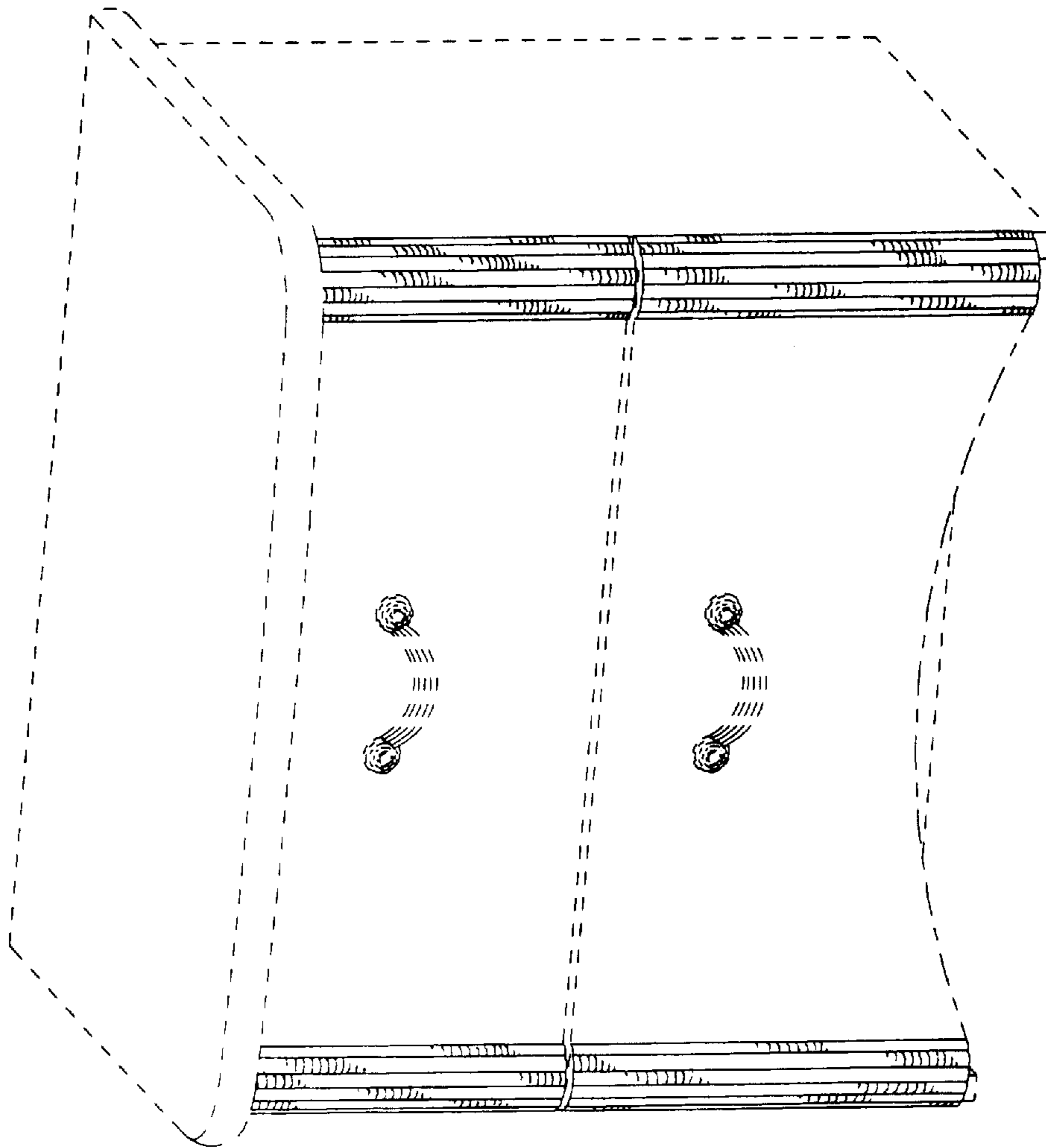


FIG.1

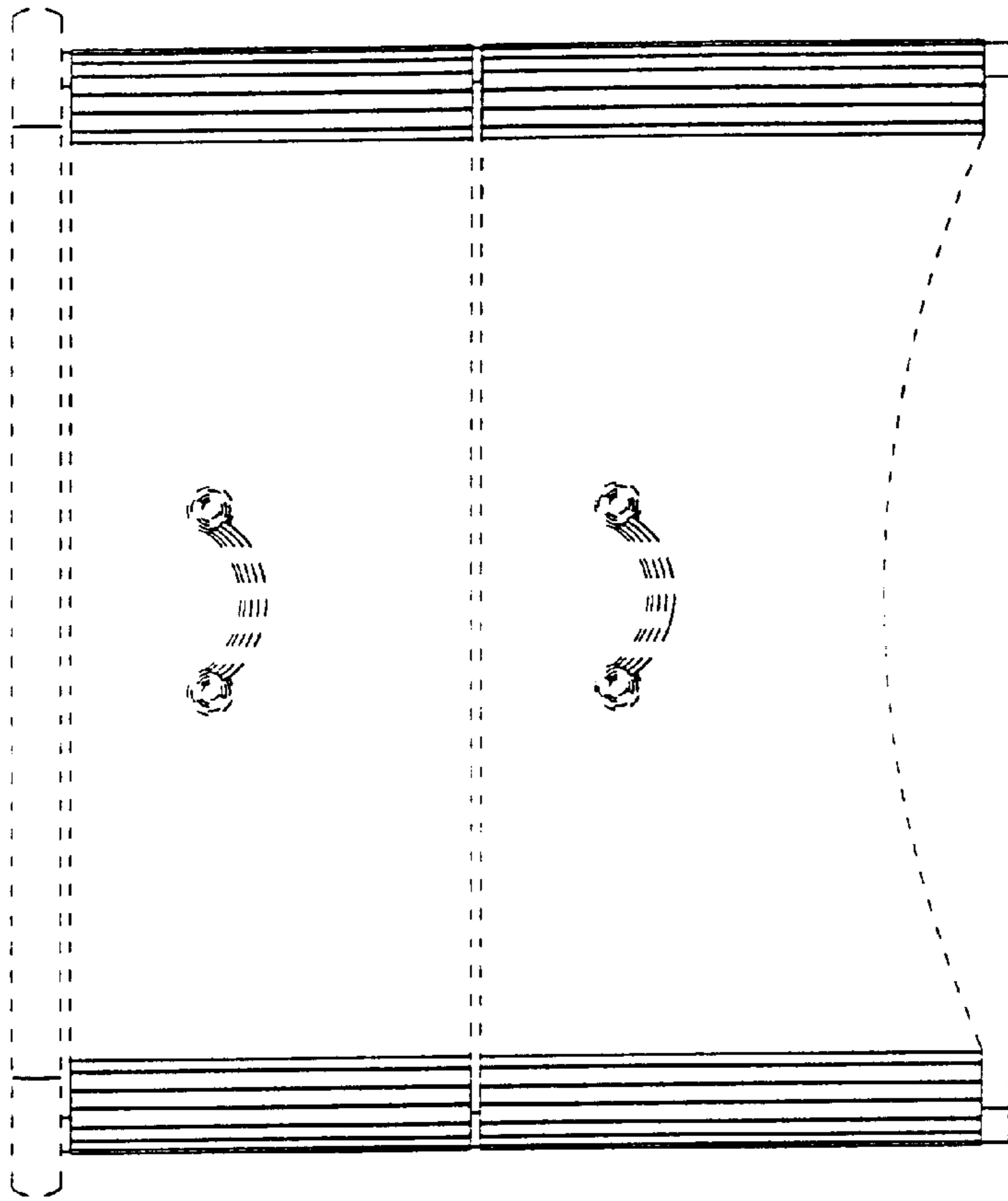


FIG. 2

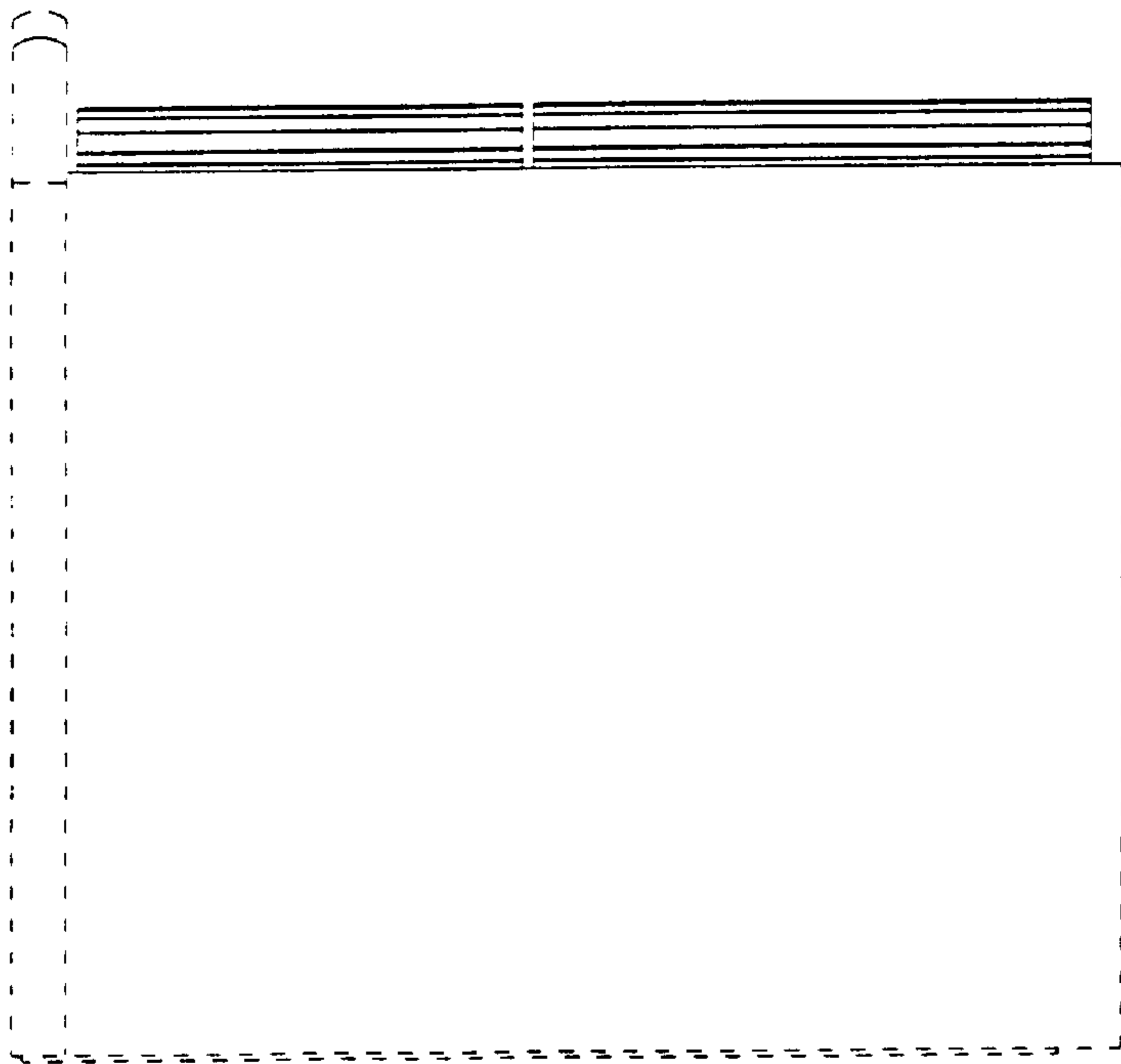


FIG. 3

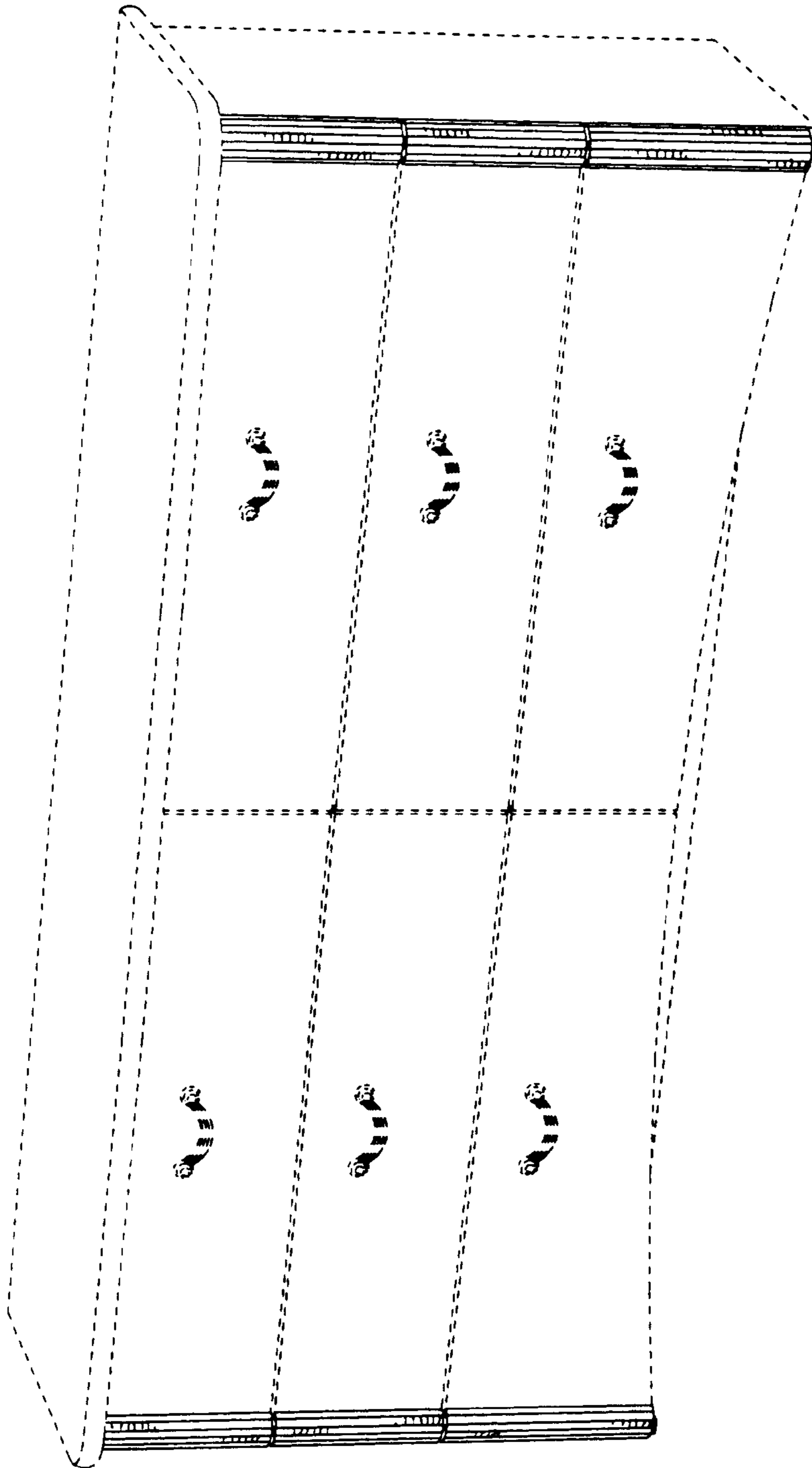


FIG. 4

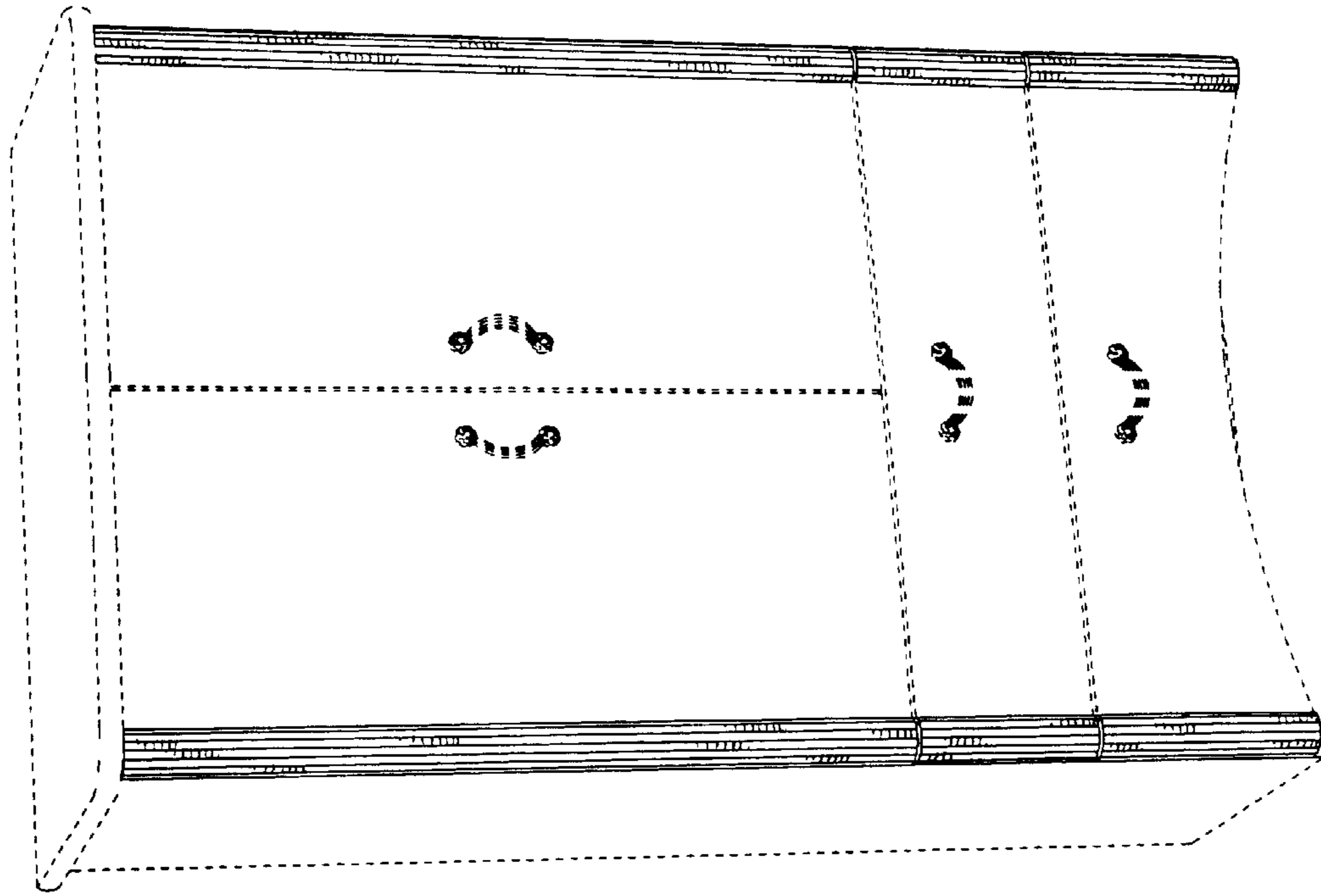


FIG. 5

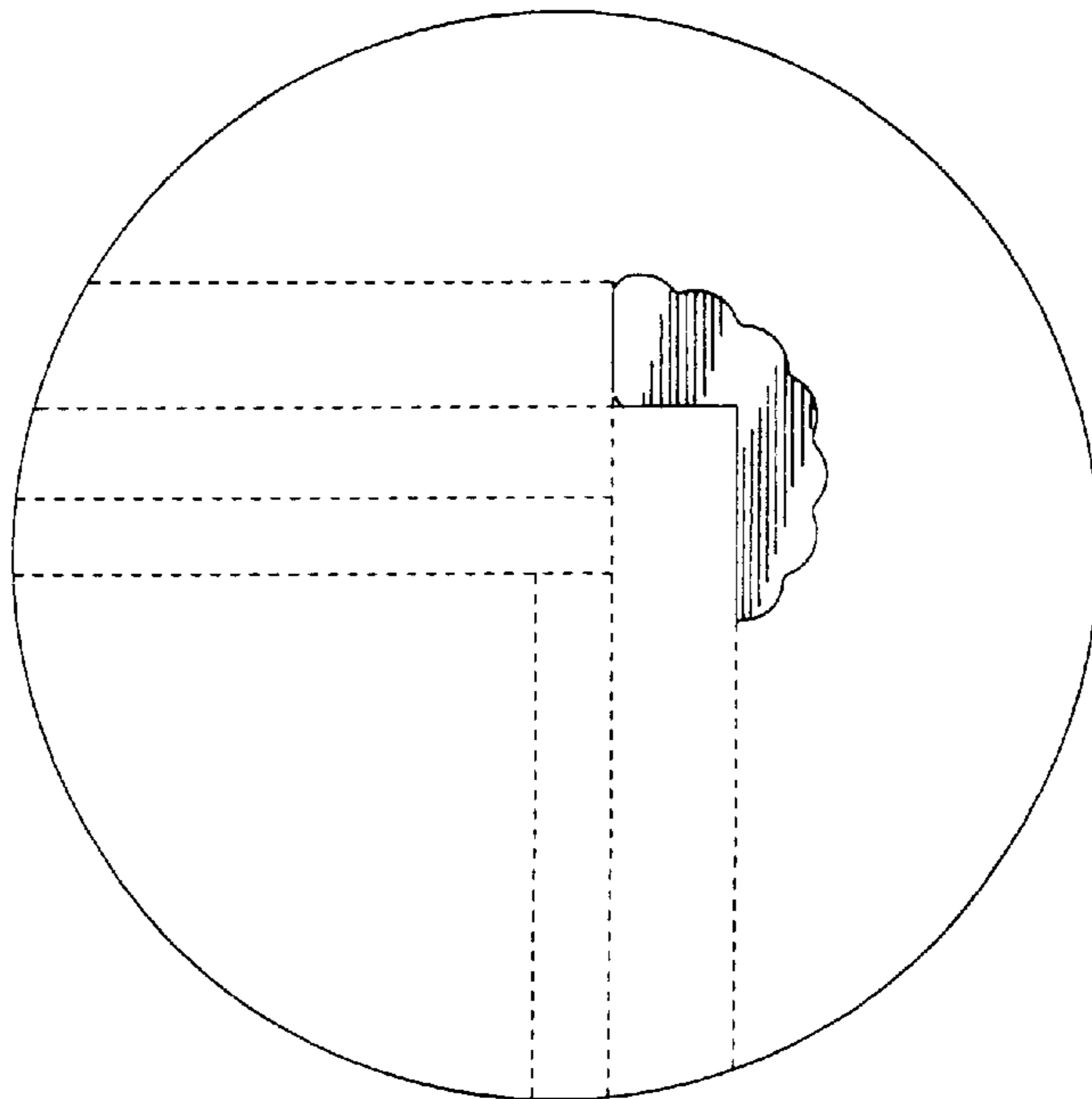


FIG. 6