



US00D436768S

(12) **United States Design Patent**  
**Jenkins et al.**

(10) **Patent No.:** **US D436,768 S**

(45) **Date of Patent:** **\*\* Jan. 30, 2001**

(54) **SEATING PRODUCT**

D. 423,261 \* 4/2000 Ritch et al. .... D6/500  
D. 429,422 \* 8/2000 DeLucchi et al. .... D6/366

(75) Inventors: **David C. Jenkins**, Holland, MI (US);  
**William R. Easton**, Greensboro, NC (US)

**OTHER PUBLICATIONS**

Promotional materials for "Tom Chair" by Keilhauer, bearing a designation of "©Copyright 1997", 20 sheets (color).

\* cited by examiner

(73) Assignee: **Steelcase Development Inc.**, Grand Rapids, MI (US)

*Primary Examiner*—Gary D. Watson

(\*\*) Term: **14 Years**

(74) *Attorney, Agent, or Firm*—Foley & Lardner

(21) Appl. No.: **29/104,621**

(57) **CLAIM**

(22) Filed: **May 10, 1999**

The ornamental design for a seating product, as shown and described.

(51) **LOC (7) Cl.** ..... **06-06**

**DESCRIPTION**

(52) **U.S. Cl.** ..... **D6/500; D6/366**

FIG. 1 is a front perspective view of the seating product according to a preferred embodiment.

(58) **Field of Search** ..... D6/334, 364, 365,  
D6/366, 367, 500, 501, 502; 297/411.2,  
411.27, 452.32, 452.35, 452.36, DIG. 1,  
DIG. 2

FIG. 2 is a rear perspective view of the seating product.

FIG. 3 is a front elevation view of the seating product.

(56) **References Cited**

**U.S. PATENT DOCUMENTS**

- D. 341,260 \* 11/1993 Fahnstrom et al. .... D6/366
- D. 358,944 \* 6/1995 Citterio ..... D6/366
- D. 360,316 \* 7/1995 Hodge et al. .... D6/366
- D. 367,980 \* 3/1996 Hodge et al. .... D6/500
- D. 390,712 \* 2/1998 Koepke et al. .... D6/366
- D. 404,229 \* 1/1999 Dammermann et al. .... D6/500
- D. 407,576 \* 4/1999 Ritch et al. .... D6/500
- D. 410,342 \* 6/1999 Dammermann et al. .... D6/366
- D. 418,316 \* 1/2000 Vogtherr ..... D6/366
- D. 422,802 \* 4/2000 Deacon ..... D6/366

FIG. 4 is a left elevation view of the seating product.

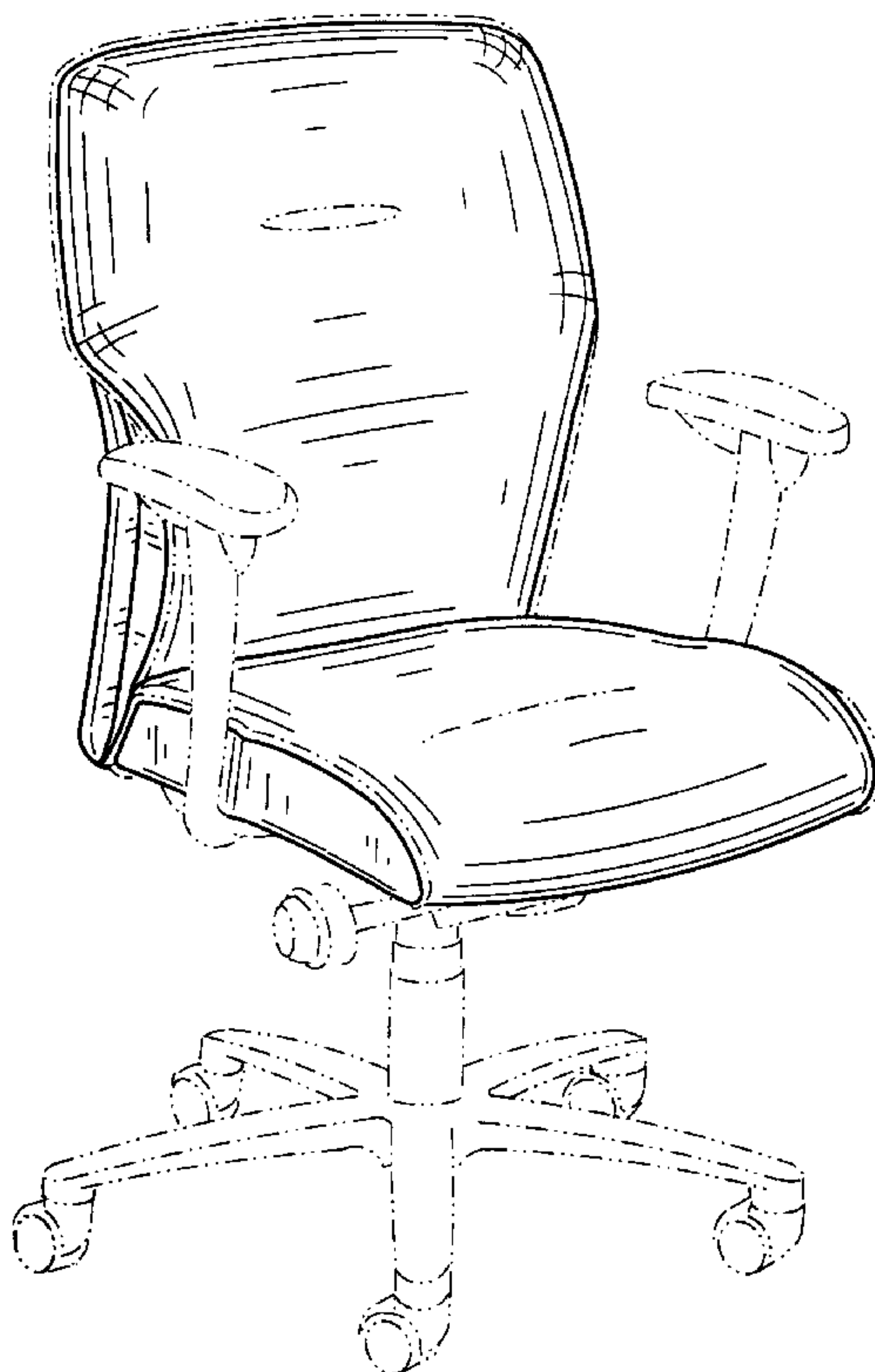
FIG. 5 is a rear elevation view of the seating product.

FIG. 6 is a right elevation view of the seating product; and,

FIG. 7 is a top plan view of the seating product.

The broken line disclosure includes trim on the outside edges of the seat and backrest; stitching on the top of the seat and the rear of the backrest; the oval on the front of the backrest; and the structural portions of the seating product is for illustrative purposes only and form no part of the claimed design.

**1 Claim, 4 Drawing Sheets**



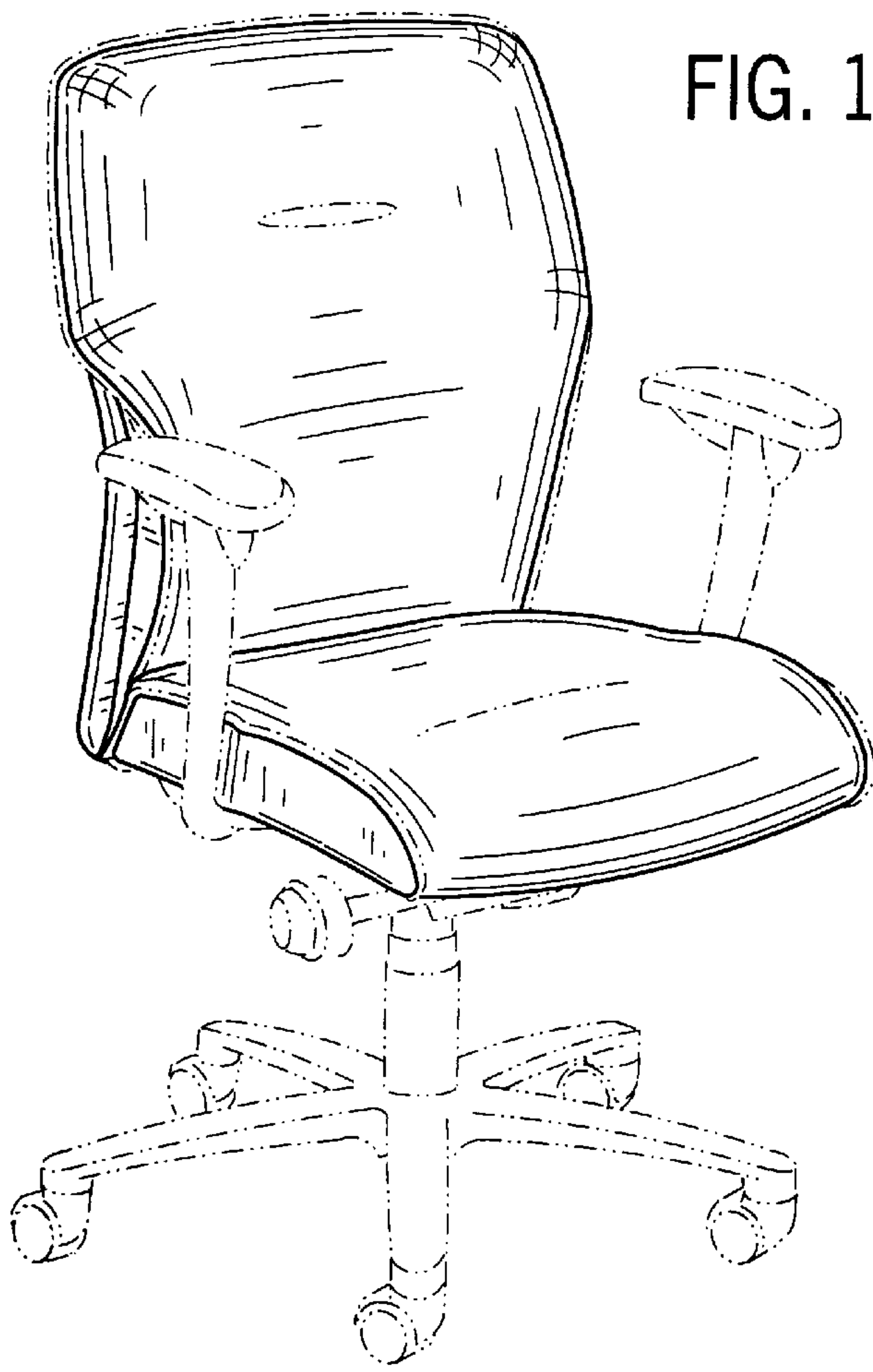


FIG. 1

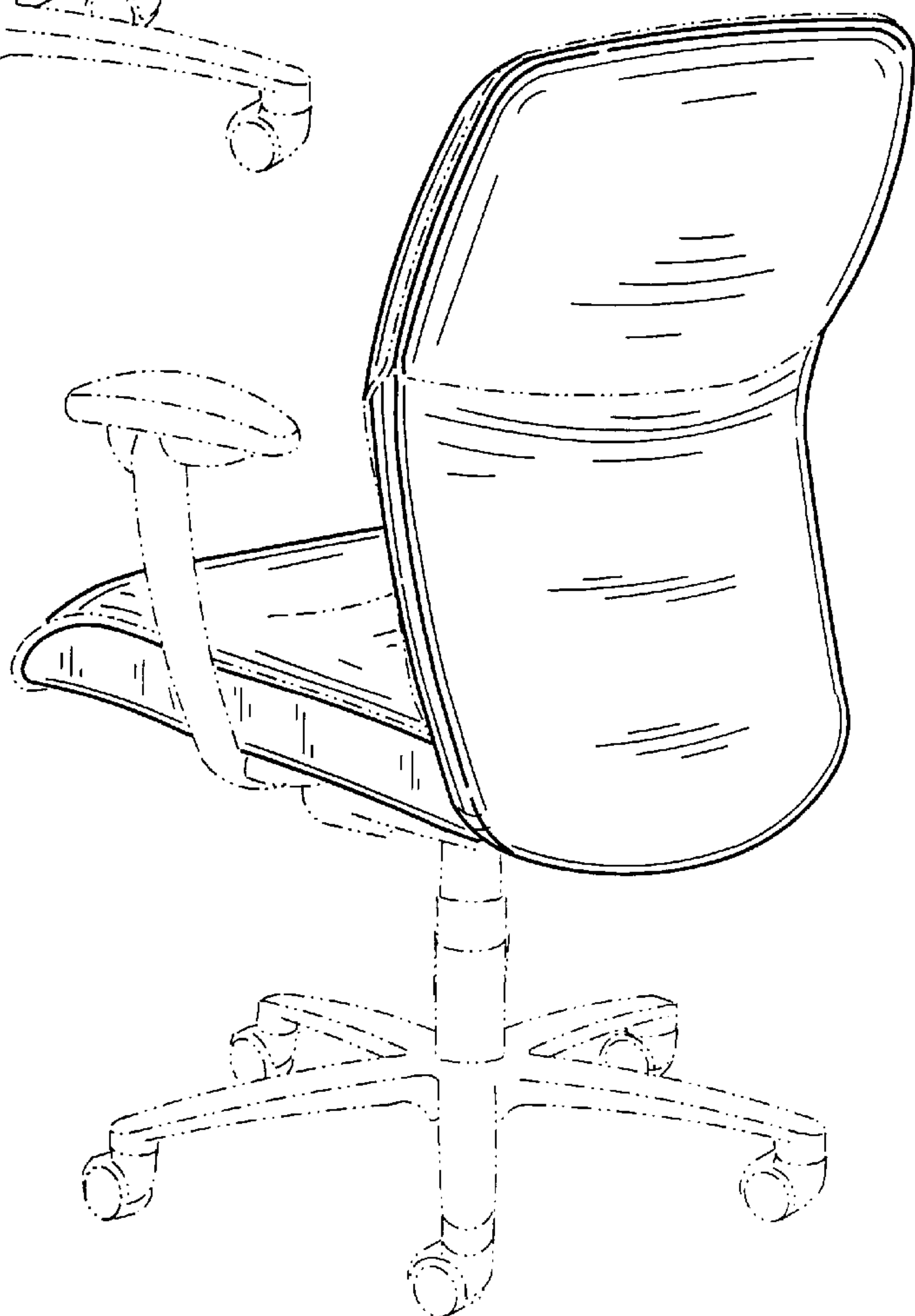


FIG. 2

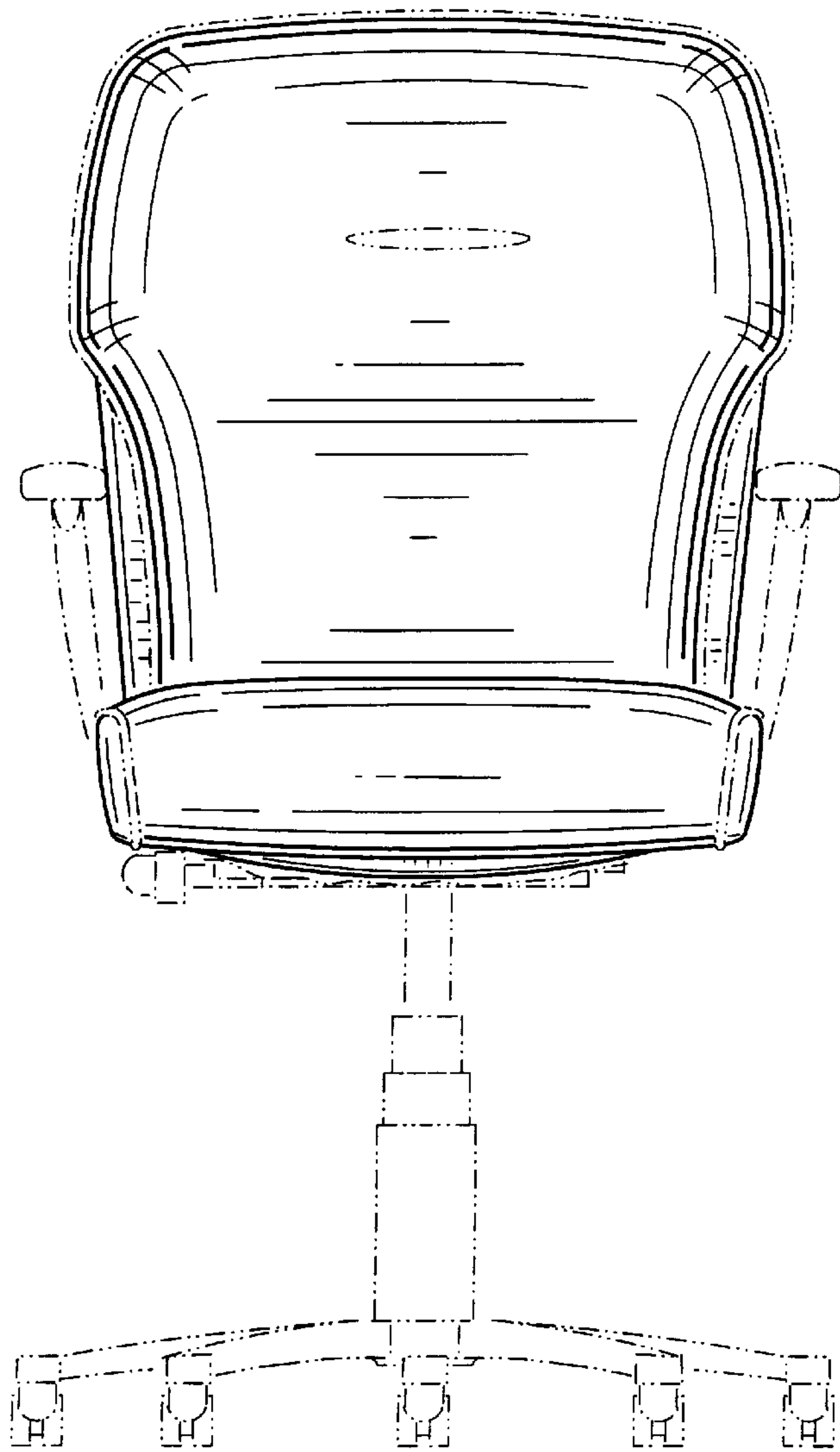


FIG. 3

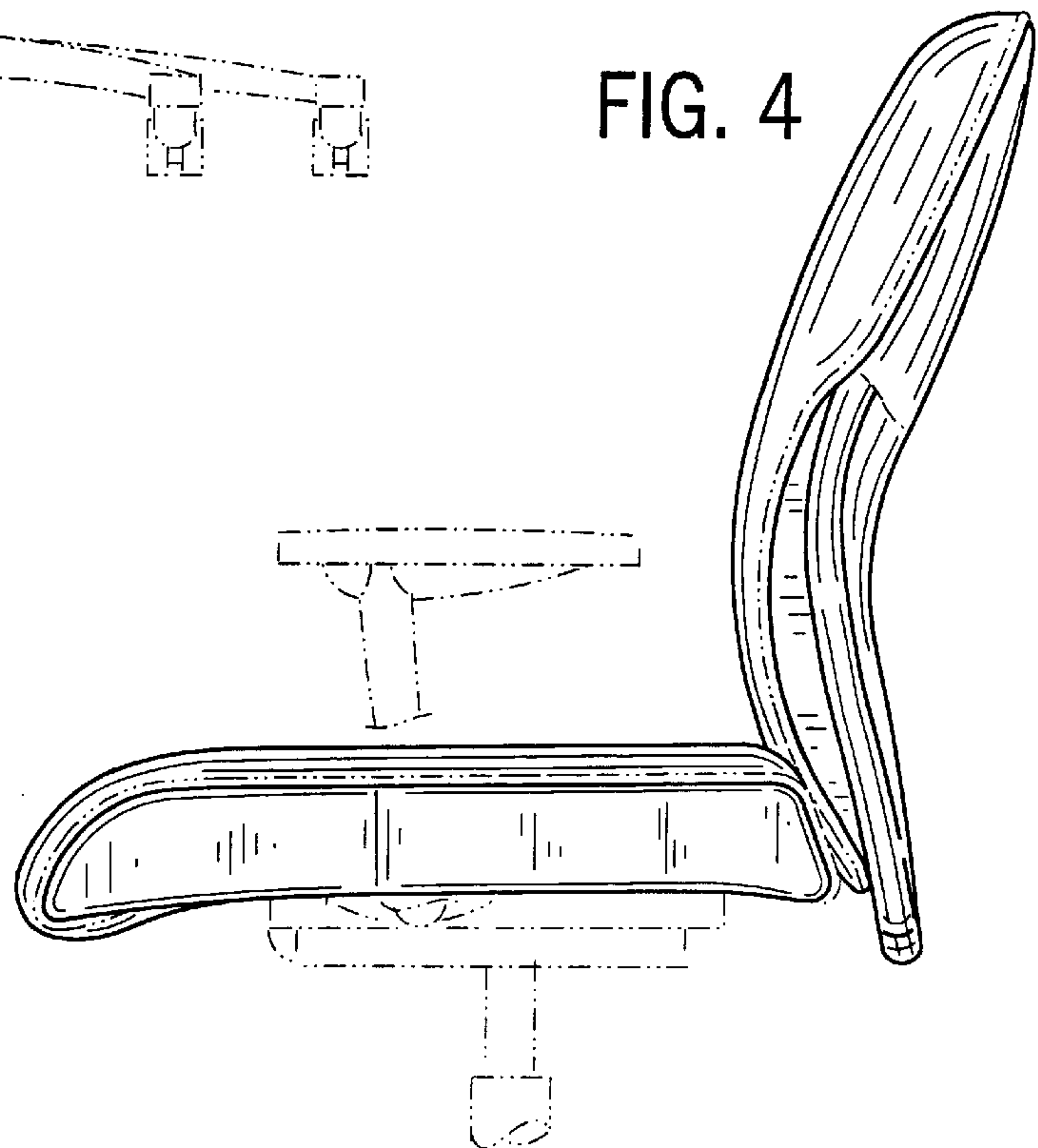


FIG. 4

FIG. 5

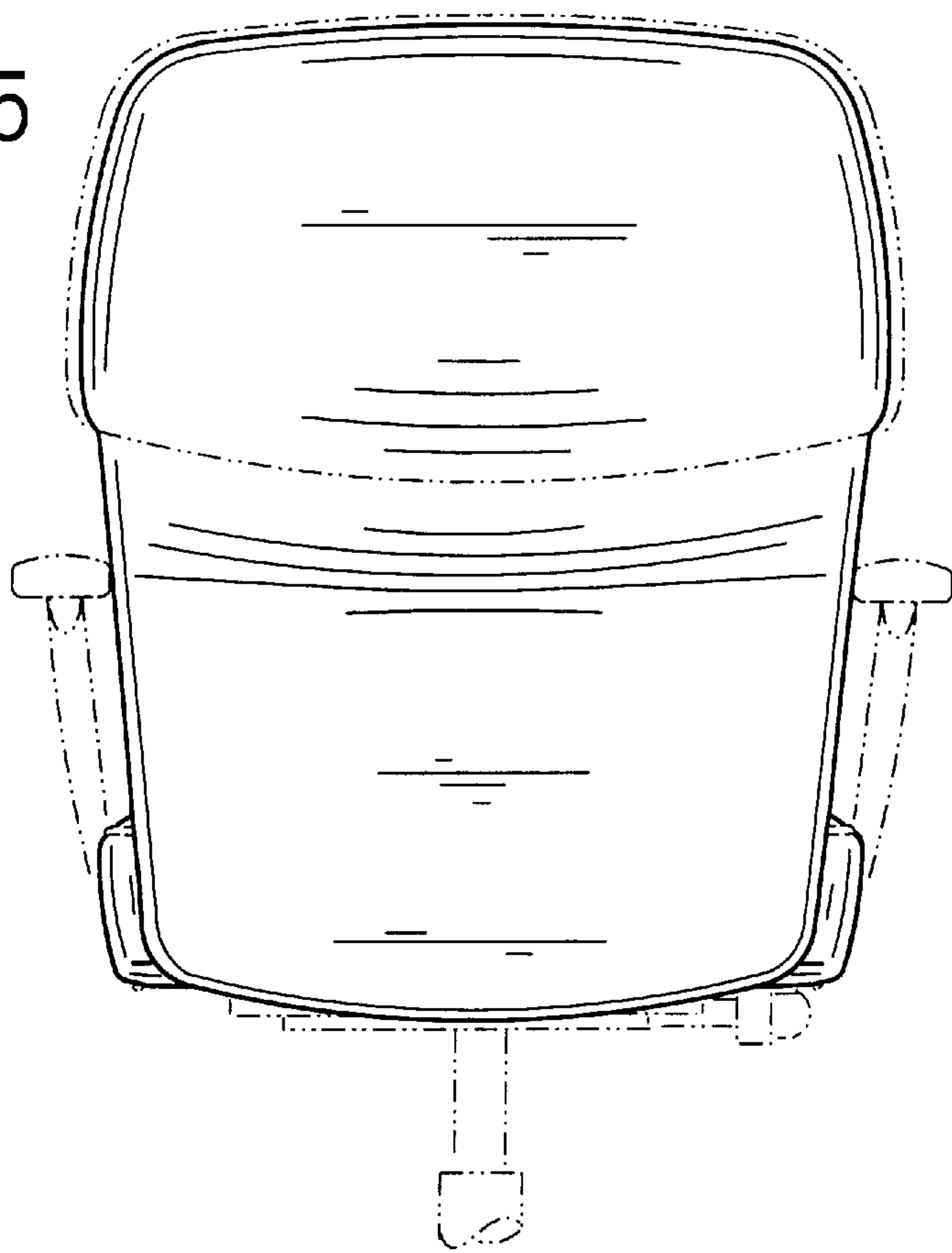


FIG. 6

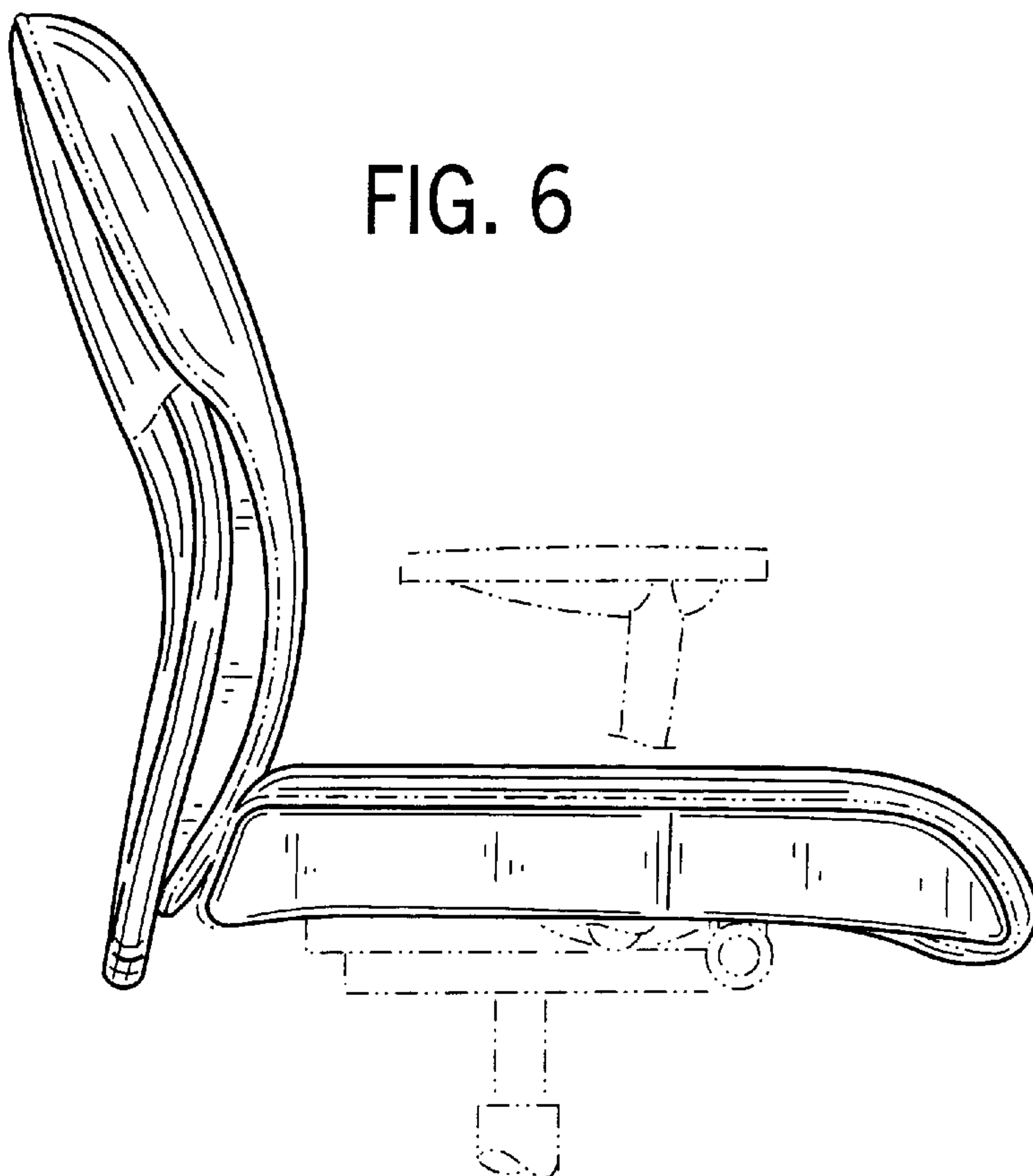


FIG. 7

