



US00D436767S

(12) **United States Design Patent**  
**Chalmers et al.**

(10) **Patent No.:** **US D436,767 S**  
(45) **Date of Patent:** **\*\* Jan. 30, 2001**

(54) **TABLE BASE**

(75) Inventors: **Richard R. Chalmers**, Camden;  
**Gilbert V. Harper**, Cushing, both of  
ME (US)

(73) Assignee: **Imagineering, Inc.**, Rockland, ME  
(US)

(\*\*) Term: **14 Years**

(21) Appl. No.: **29/119,777**

(22) Filed: **Mar. 6, 2000**

(51) **LOC (7) Cl.** ..... **06-06**

(52) **U.S. Cl.** ..... **D6/498**

(58) **Field of Search** ..... D6/480-489, 495-499;  
108/150, 151, 153.1, 156, 157.1, 161; 248/188,  
188.1, 188.7

(56) **References Cited**

**U.S. PATENT DOCUMENTS**

- D. 337,010 \* 7/1993 Bennett ..... D6/488
- D. 386,332 \* 11/1997 Grosfillex ..... D6/498
- D. 399,687 \* 10/1998 Grosfillex ..... D6/498

**OTHER PUBLICATIONS**

Unknown publication, photograph of table by Brown Jordan, at least as early as Mar. 5, 2000, 1 page.  
Imagineering, Inc., Weathered Estate Furniture Catalog (1999), at least as early as Mar. 5, 2000, 35 pages.

\* cited by examiner

*Primary Examiner*—Janice E. Seeger

(74) *Attorney, Agent, or Firm*—Heslin & Rothenberg, P.C.

(57) **CLAIM**

The ornamental design for the table base, as shown and described.

**DESCRIPTION**

FIG. 1 is a perspective view of a table base comprising the new design;

FIG. 2 is a front elevational view where the back elevational view and left and right side elevational views are a mirror image thereof;

FIG. 3 is a top plan view thereof;

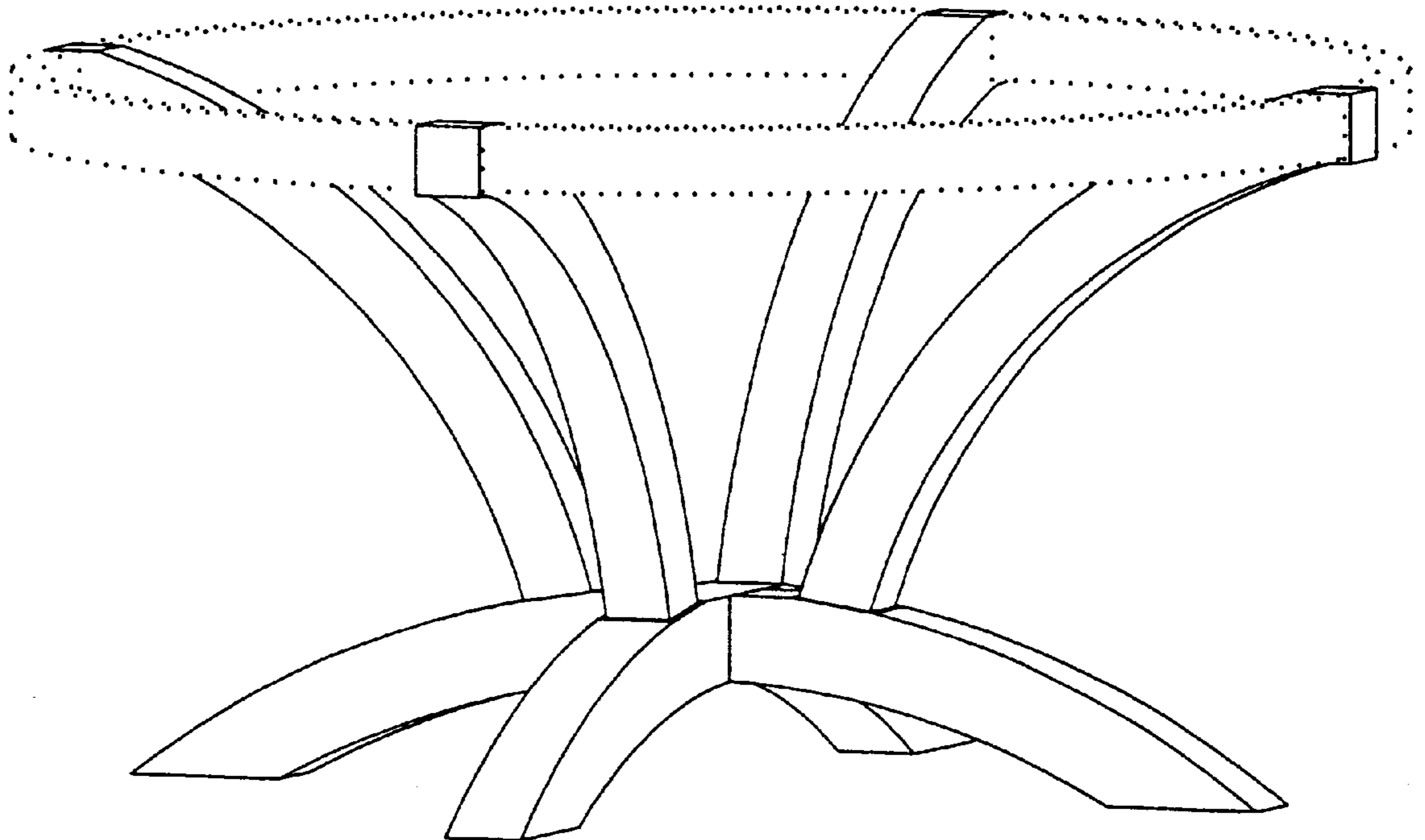
FIG. 4 is an alternate perspective view thereof;

FIG. 5 is a perspective view of an alternate embodiment of a table base shown with an optional round top; and,

FIG. 6 is a perspective view of an alternative embodiment of a table base shown with an optional rectangular top.

The broken lines shown are for illustrative purposes only and form no part of the claimed design.

**1 Claim, 6 Drawing Sheets**



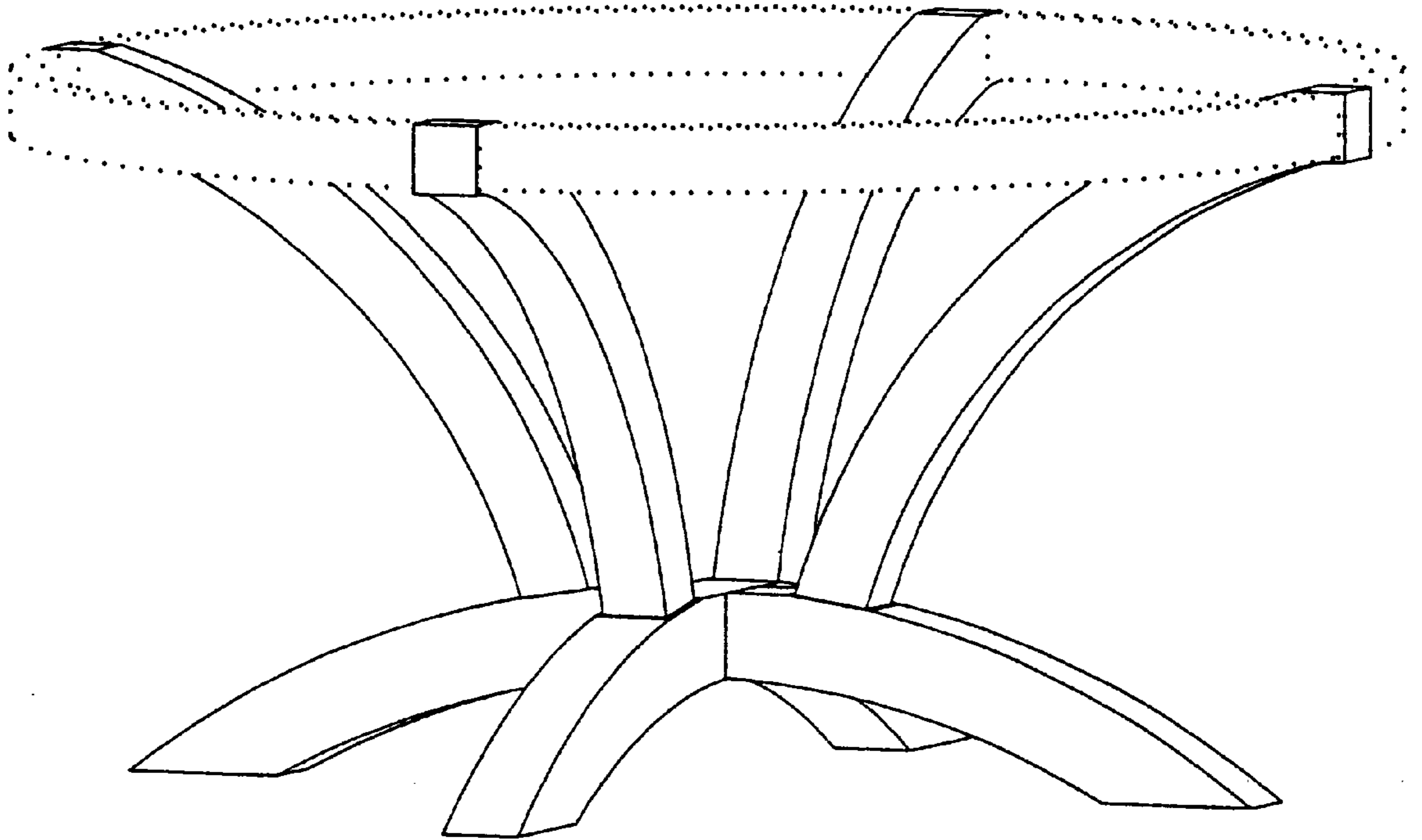


FIG. 1

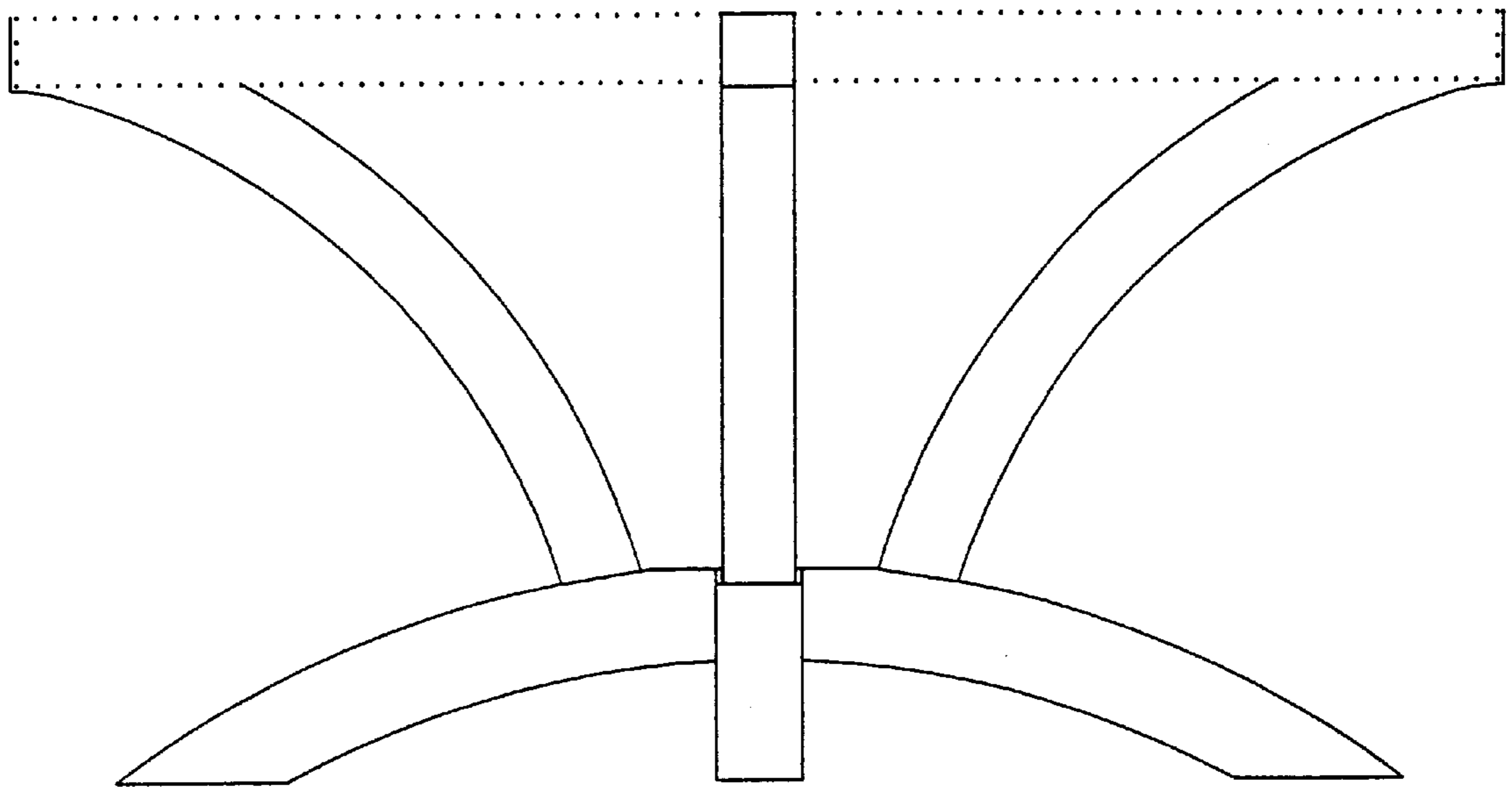


FIG. 2

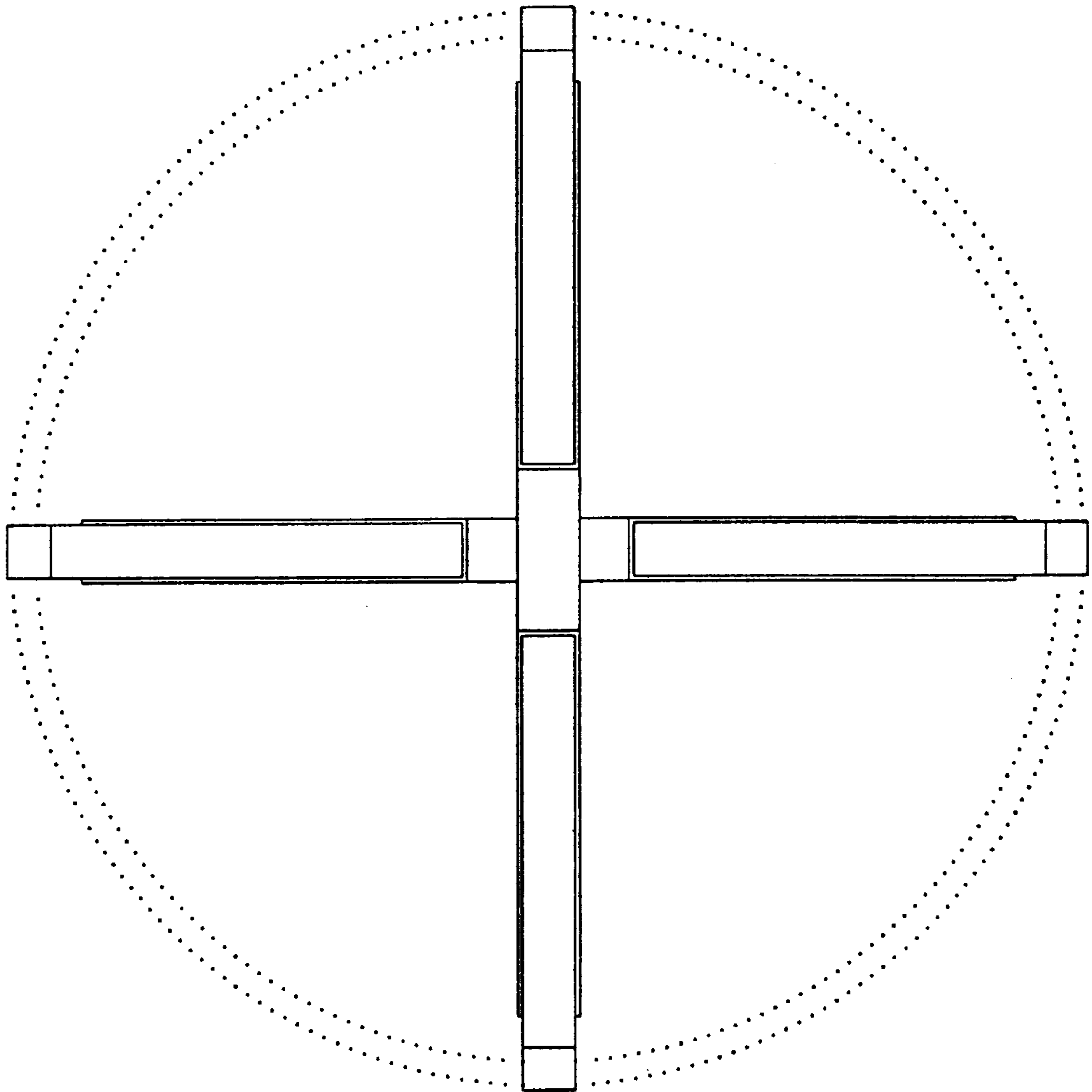


FIG. 3

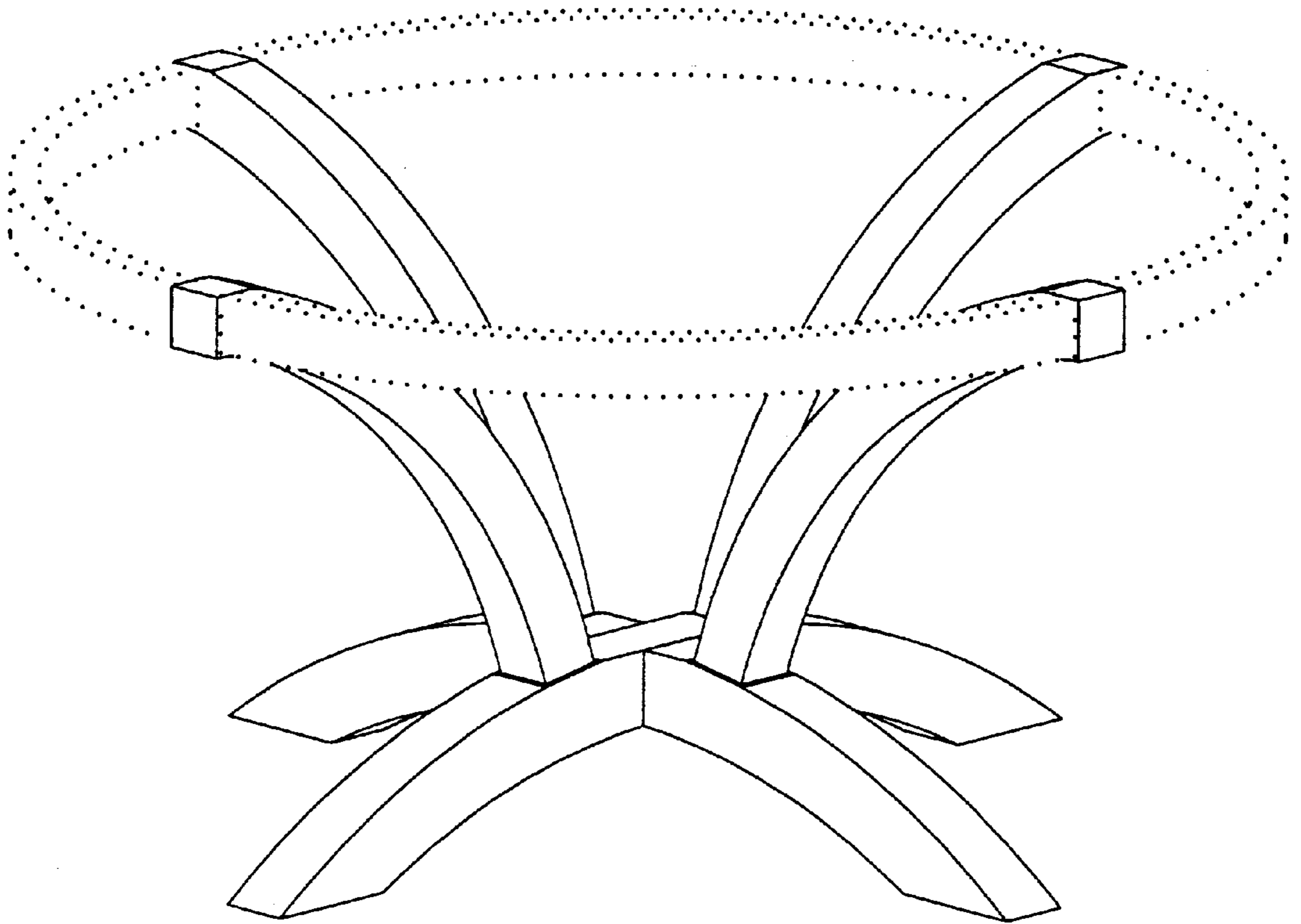


FIG. 4

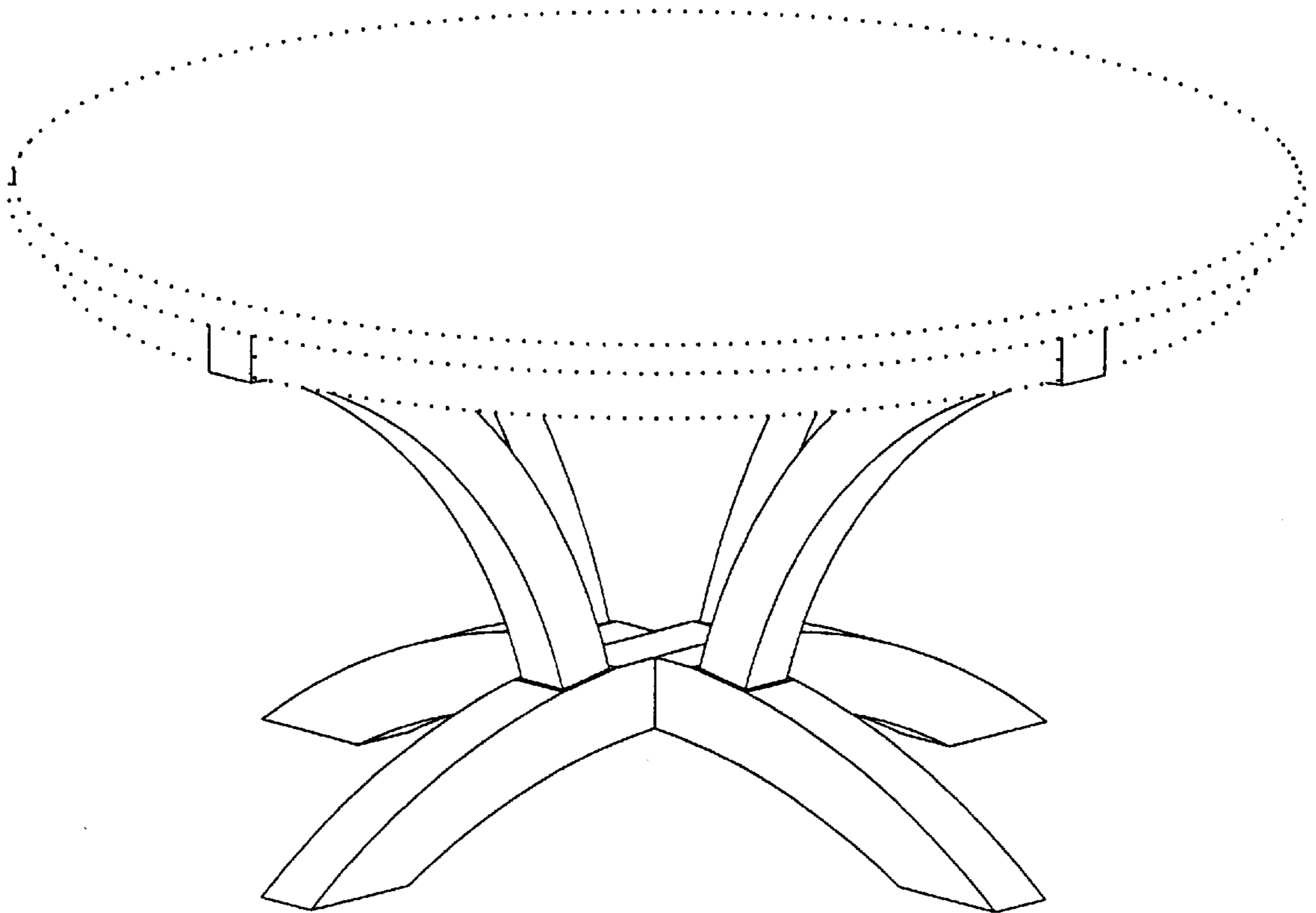


FIG. 5

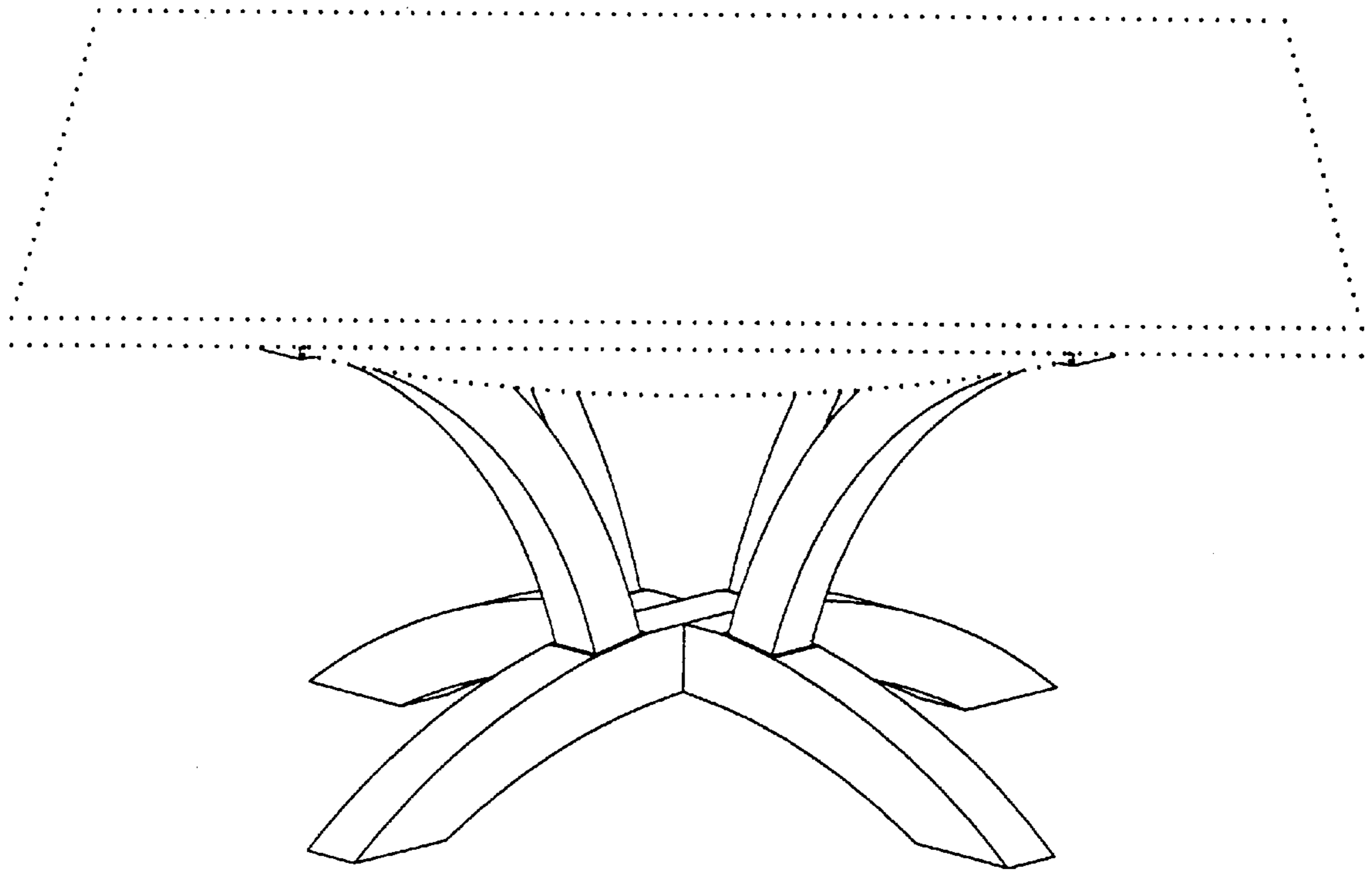


FIG. 6