



US00D436766S

(12) **United States Design Patent**  
**Al-Darraji**

(10) **Patent No.:** **US D436,766 S**

(45) **Date of Patent:** **\*\* Jan. 30, 2001**

(54) **STAND USING HOCKEY STICK SUPPORTS**

(75) Inventor: **Omar Al-Darraji**, Los Alamitos, CA (US)

(73) Assignee: **William Stevenson**, Los Alamitos, CA (US)

(\*\*) Term: **14 Years**

(21) Appl. No.: **29/107,670**

(22) Filed: **Jul. 9, 1999**

(51) **LOC (7) Cl.** ..... **06-06**

(52) **U.S. Cl.** ..... **D6/497; D6/450; D6/451**

(58) **Field of Search** ..... D6/480-489, 450, D6/451, 495-499; 108/153.1, 156, 157.1, 161; 248/188, 188.1, 188.7, 188.8; D21/727

(56) **References Cited**

**U.S. PATENT DOCUMENTS**

D. 243,804	*	3/1977	Underwood et al.	.....	D6/412
D. 343,074	*	1/1994	Whiteaker et al.	.....	D6/451
D. 373,265	*	9/1996	Horvath	.....	D6/451
D. 391,787	*	3/1998	Horvath	.....	D6/451
D. 399,544	*	10/1998	Liu	.....	D21/727

\* cited by examiner

*Primary Examiner*—Janice E. Seeger

(74) *Attorney, Agent, or Firm*—John E. Wagner

(57) **CLAIM**

The ornamental design for a stand using hockey stick supports, as shown and described.

**DESCRIPTION**

FIG. 1 is a side elevational view of a stand using hockey stick supports showing our new design the other side views being the same thereas;

FIG. 2 is a top plan view thereof;

FIG. 3 is a bottom plan view;

FIG. 4 is a side elevational view of a modified form of the design of FIG. 1 with a helmet shown in phantom supported by the stand;

FIG. 5 is a top plan view of the embodiment of FIG. 4;

FIG. 6 is a bottom view;

FIG. 7 is a side elevation view of an alternative embodiment of our new design the other side views being the same thereas;

FIG. 8 is a top plan view of the design of FIG. 1; and,

FIG. 9 is a bottom plan view thereof.

The articles shown in dashed dotted lines are for illustrative purposes only and form no part of the claimed design.

**1 Claim, 5 Drawing Sheets**

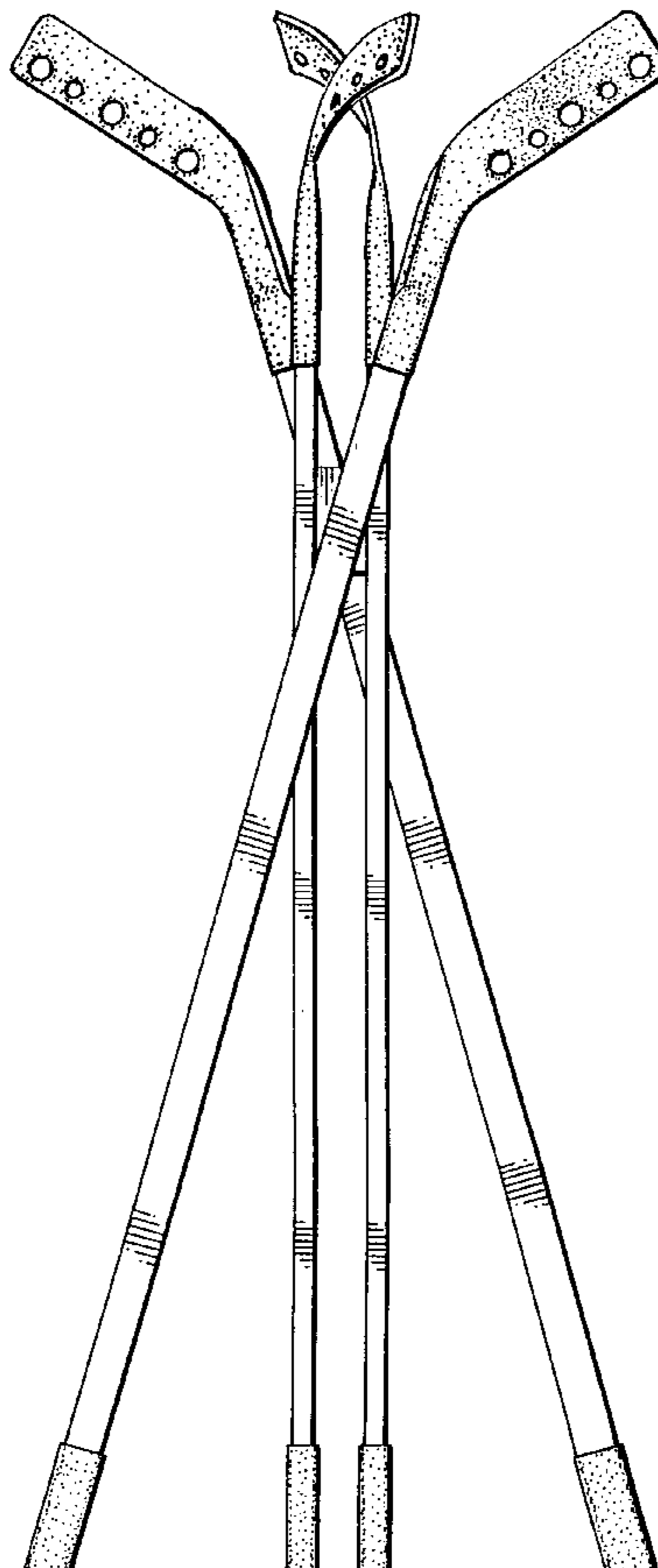


FIG. 1

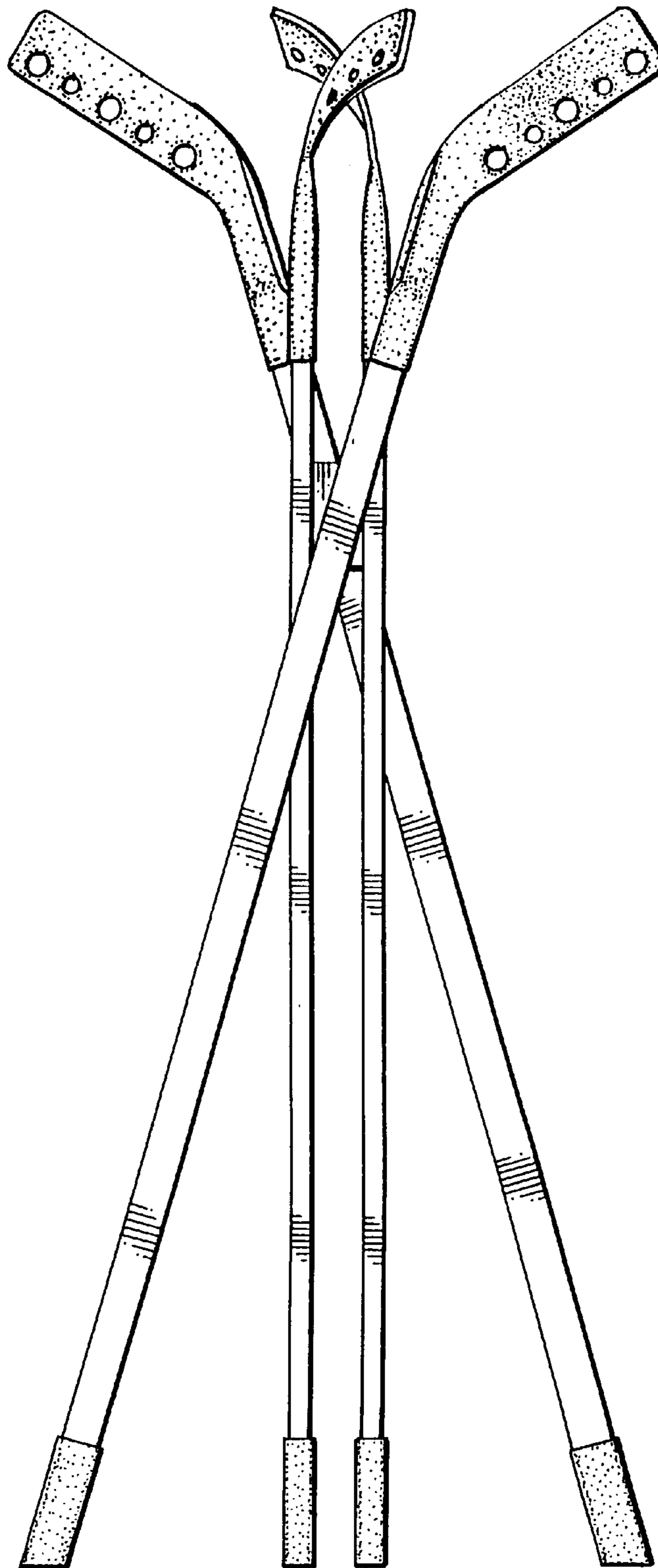


FIG. 2

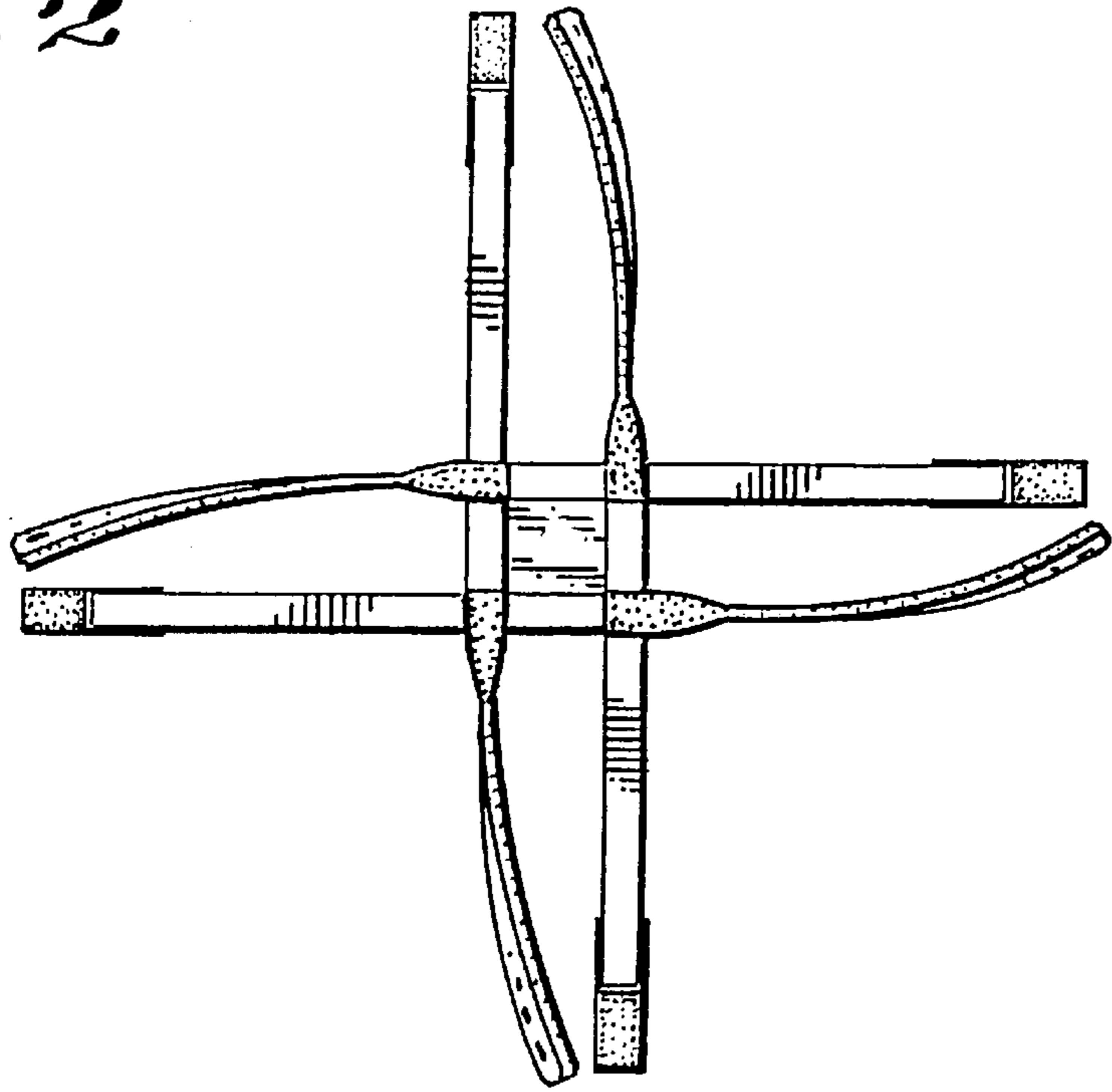
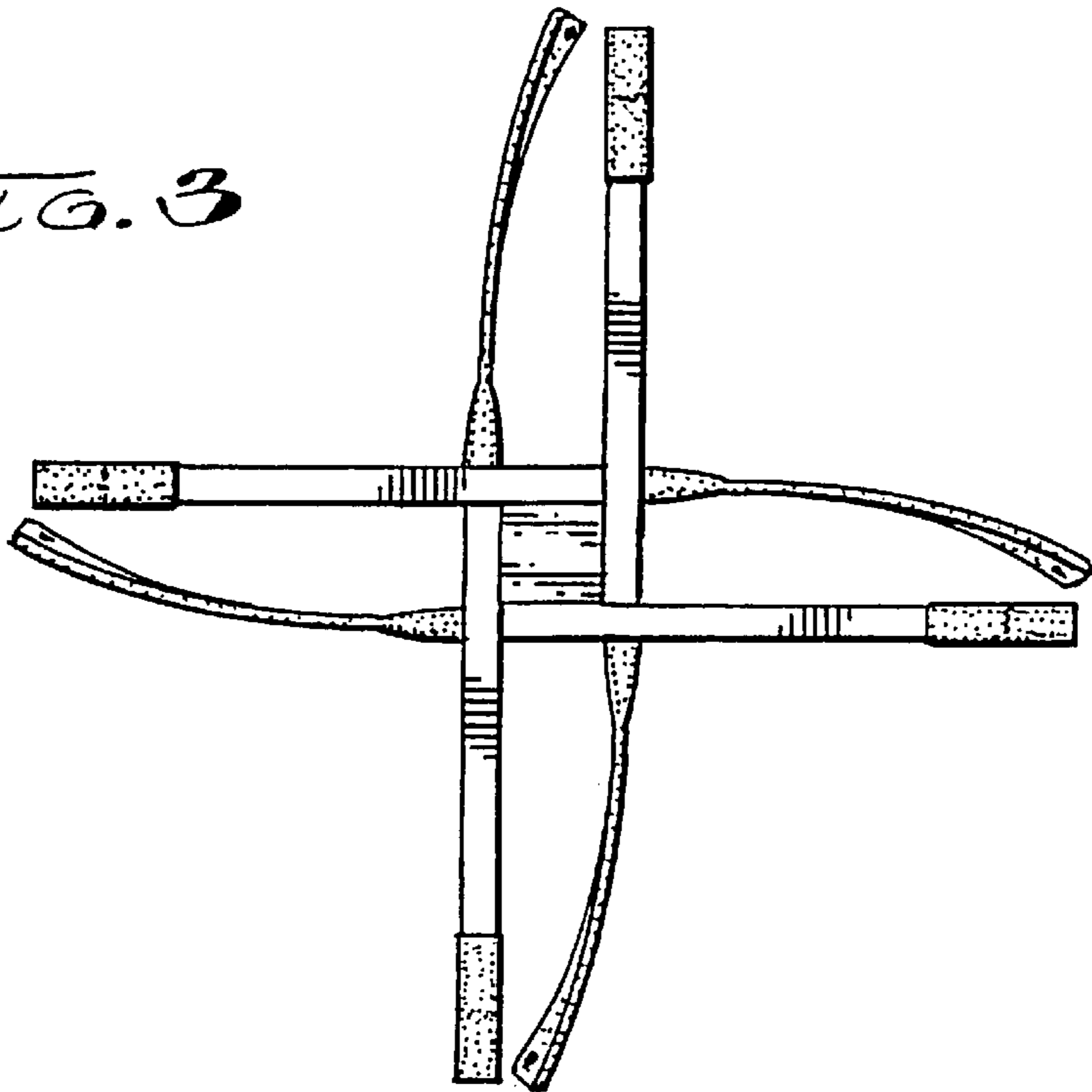


FIG. 3



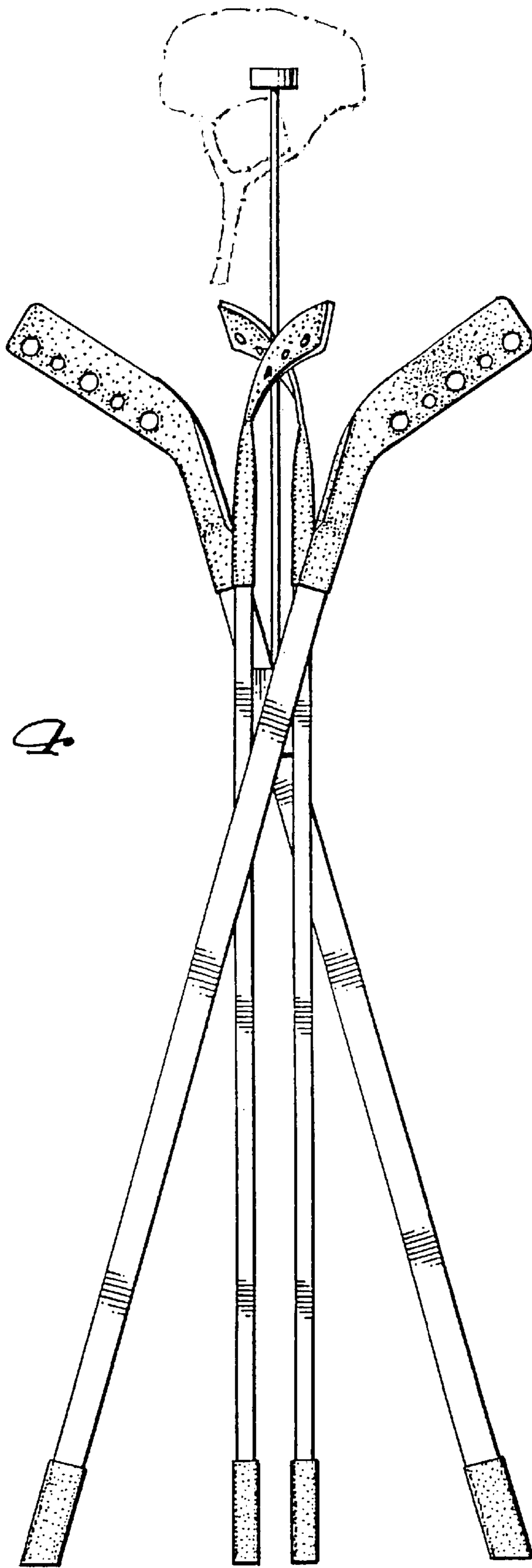


FIG. 9

FIG. 5

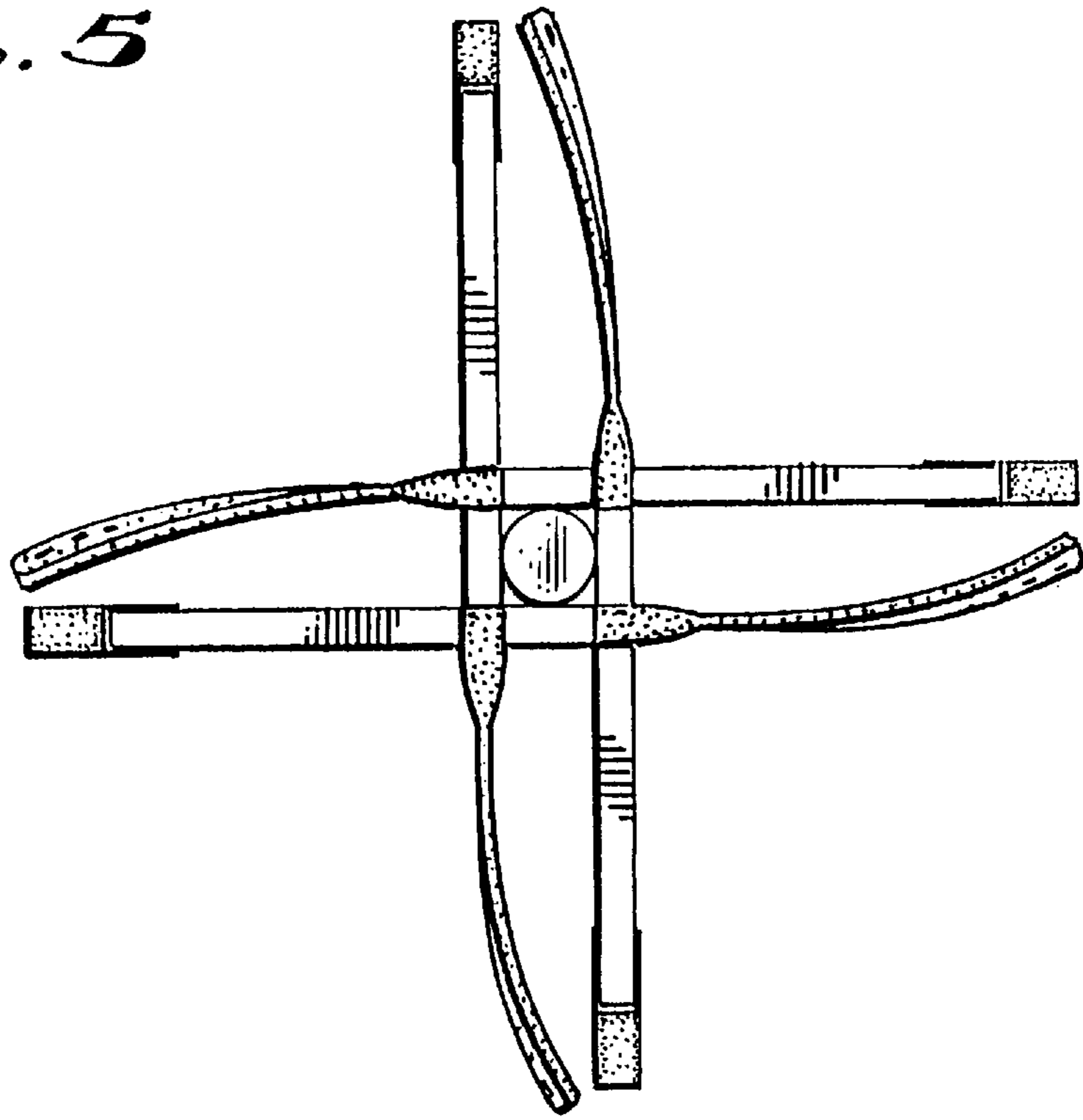
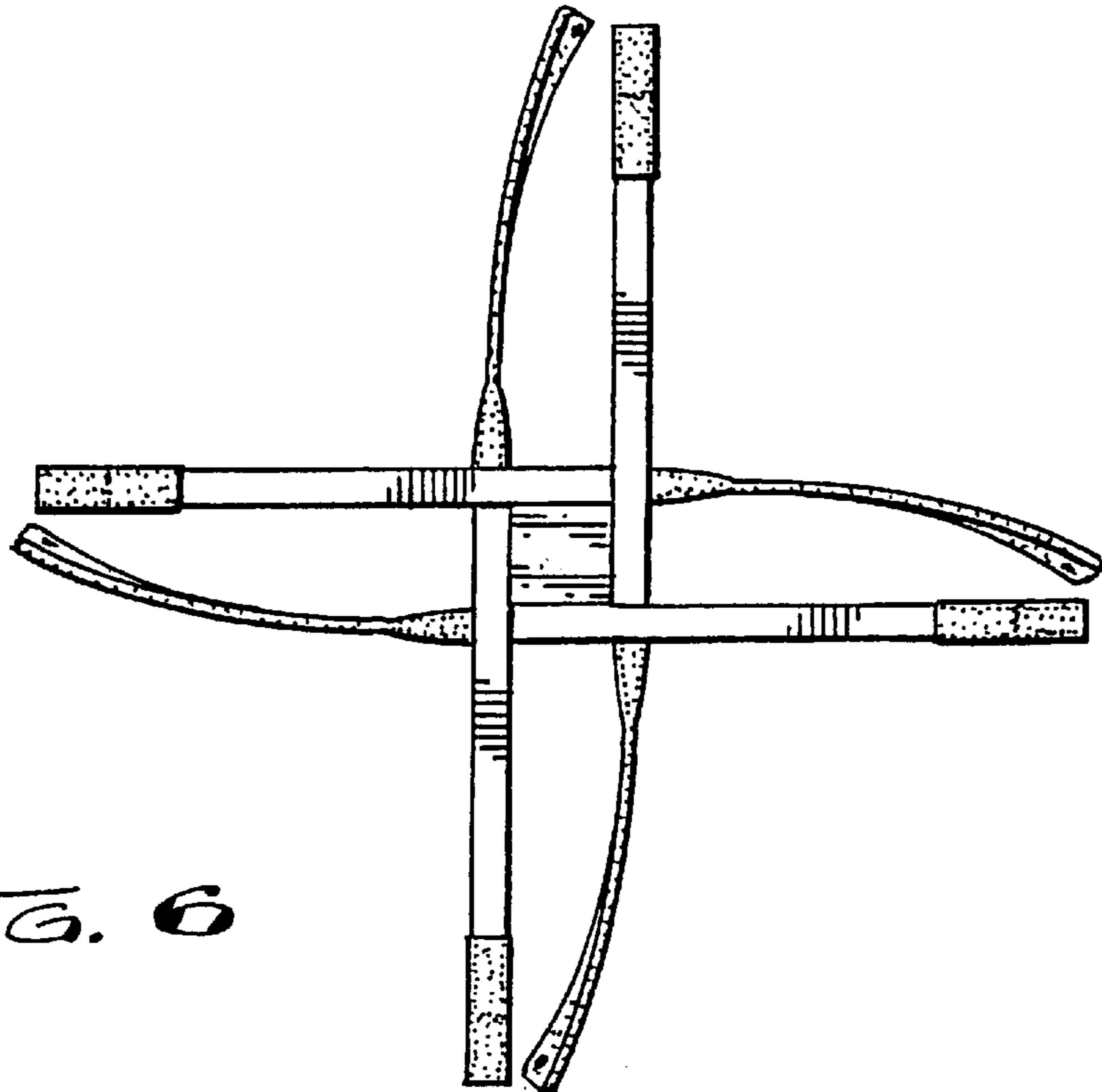


FIG. 6



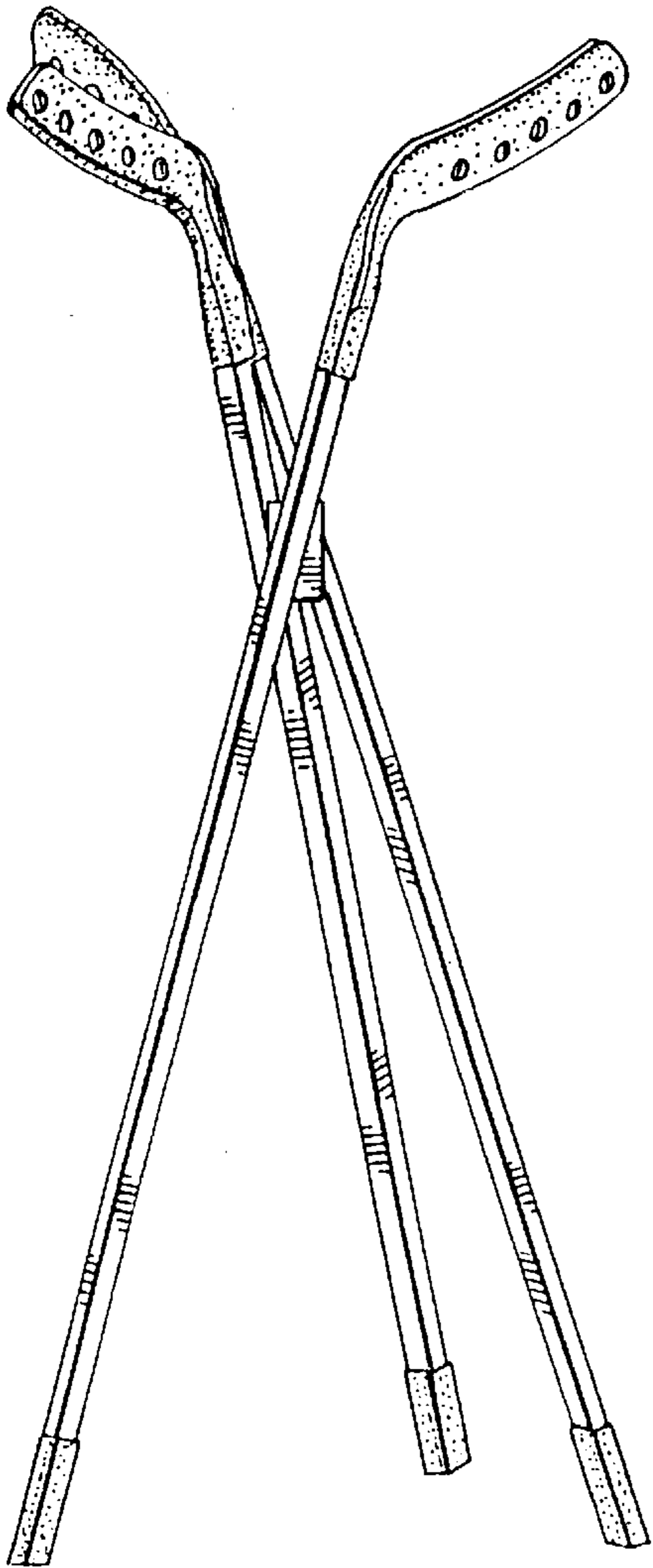


FIG. 7

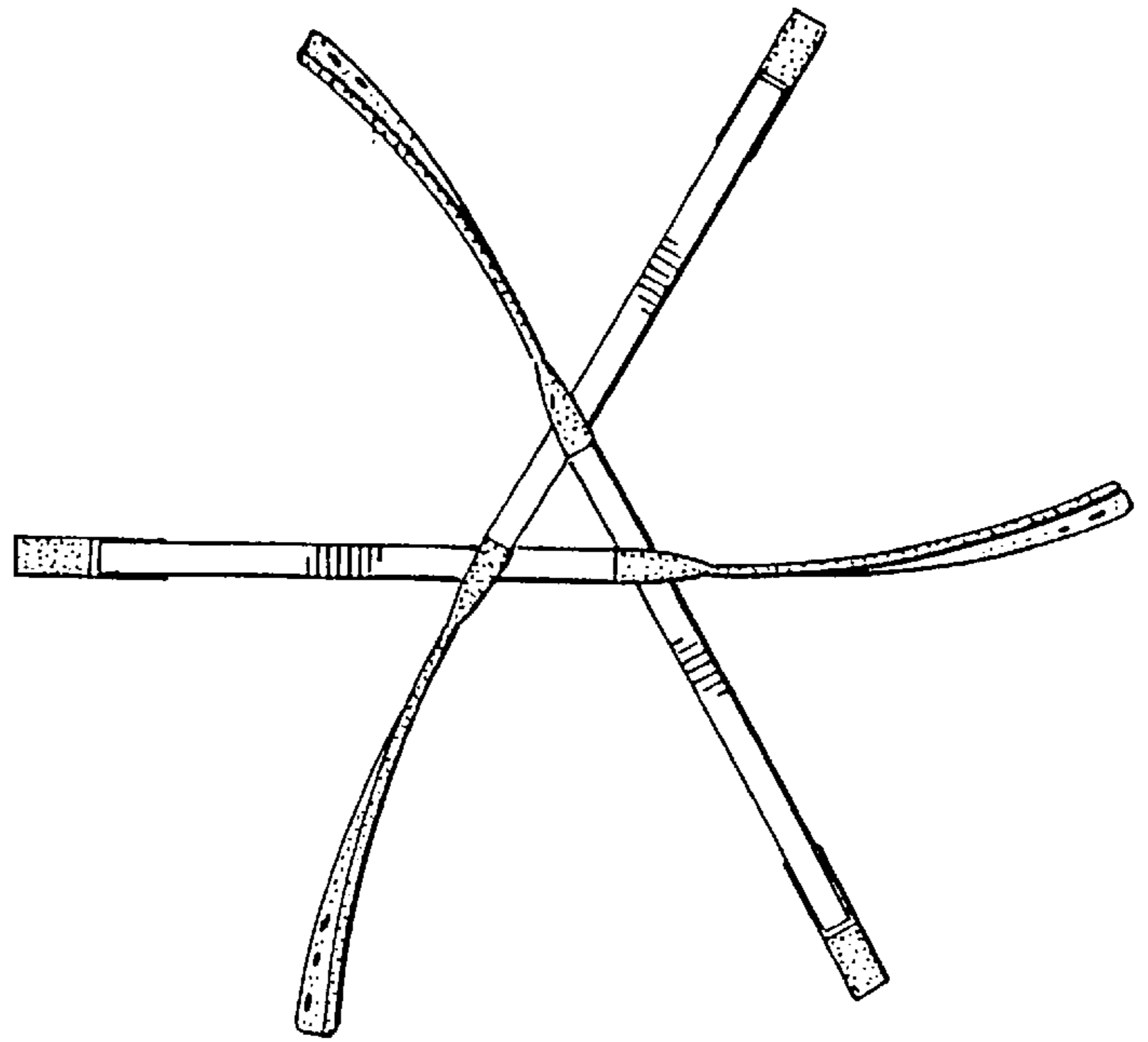


FIG. 8

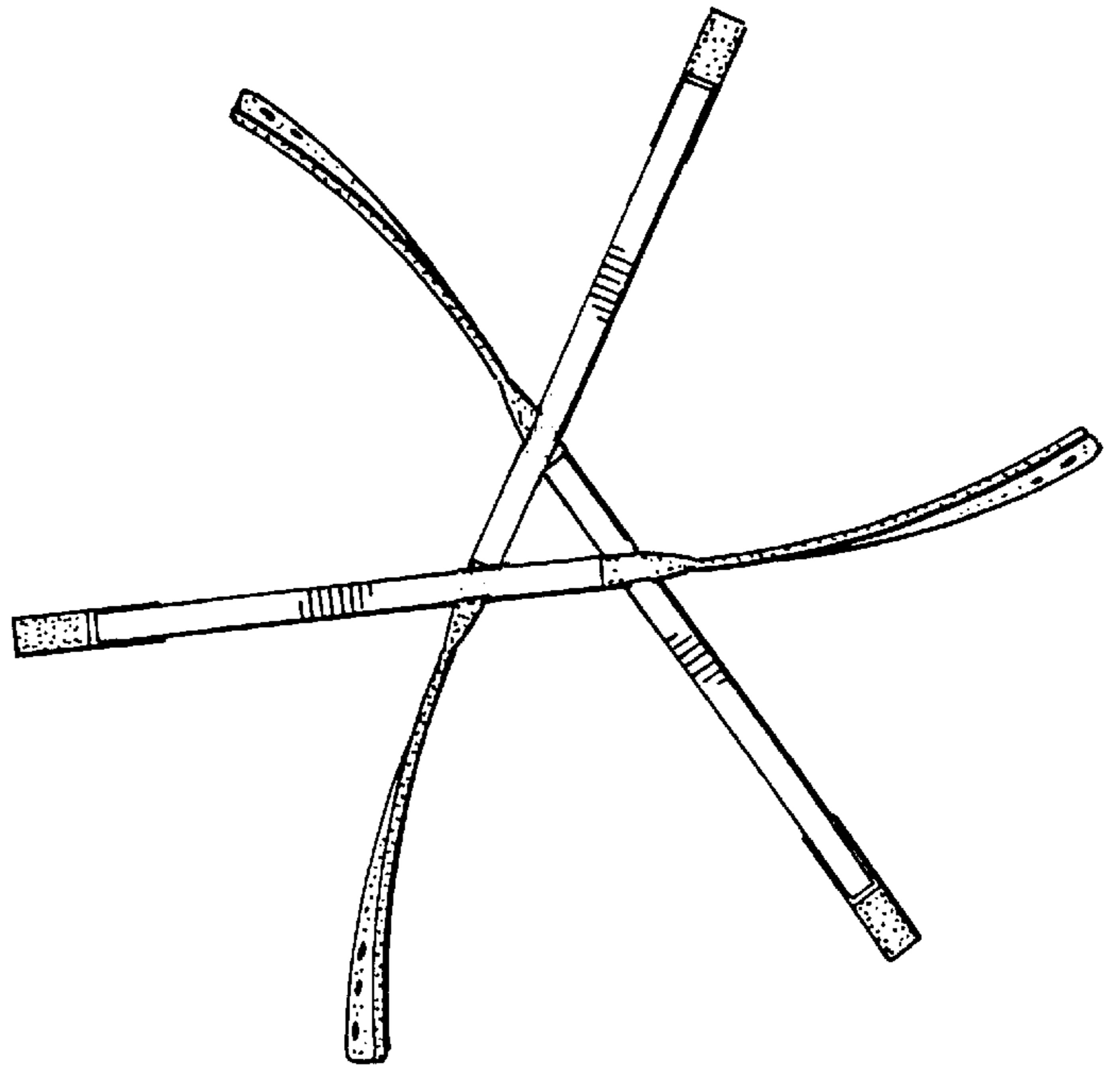


FIG. 9