



US00D436763S

(12) **United States Design Patent**
Balolia

(10) **Patent No.:** **US D436,763 S**

(45) **Date of Patent:** **** Jan. 30, 2001**

(54) **TOOL TABLE**

(75) **Inventor:** Shiraz Balolia, Bellingham, WA (US)

(73) **Assignee:** Woodstock International, Inc.,
Bellingham, WA (US)

(**) **Term:** 14 Years

(21) **Appl. No.:** 29/113,512

(22) **Filed:** Nov. 5, 1999

(51) **LOC (7) Cl.** 06-03

(52) **U.S. Cl.** D6/480; D6/349; D6/477

(58) **Field of Search** D6/480-489, 495-499,
D6/429, 400, 461; 108/91, 92, 153, 155,
156, 157.1, 161; 248/188, 188.1; D34/12,
17

(56) **References Cited**

U.S. PATENT DOCUMENTS

- D. 72,363 * 4/1927 Erskine D6/480
- D. 280,370 * 9/1985 Ferdinand et al. D6/477

- D. 355,546 2/1995 Hewitt .
- D. 419,331 * 1/2000 Dembicks D6/429
- 1,781,718 * 11/1930 Conrad 108/59

* cited by examiner

Primary Examiner—Janice E. Seeger

(74) *Attorney, Agent, or Firm*—Michael R. Schacht;
Hughes & Schacht, P.S.

(57) **CLAIM**

The new design for a tool table, as shown and described.

DESCRIPTION

FIG. 1 is an isometric view of the tool table in accordance with, and embodying, the principles of the present invention; FIG. 2 is a top plan view of the tool table of FIG. 1; FIG. 3 is a front elevational view of the tool table of FIG. 1, the rear elevational view being identical; FIG. 4 is a bottom plan view of the tool table of FIG. 1; and, FIG. 5 depicts a side elevational view of the tool table of FIG. 1, the opposite side elevational view being identical.

1 Claim, 3 Drawing Sheets

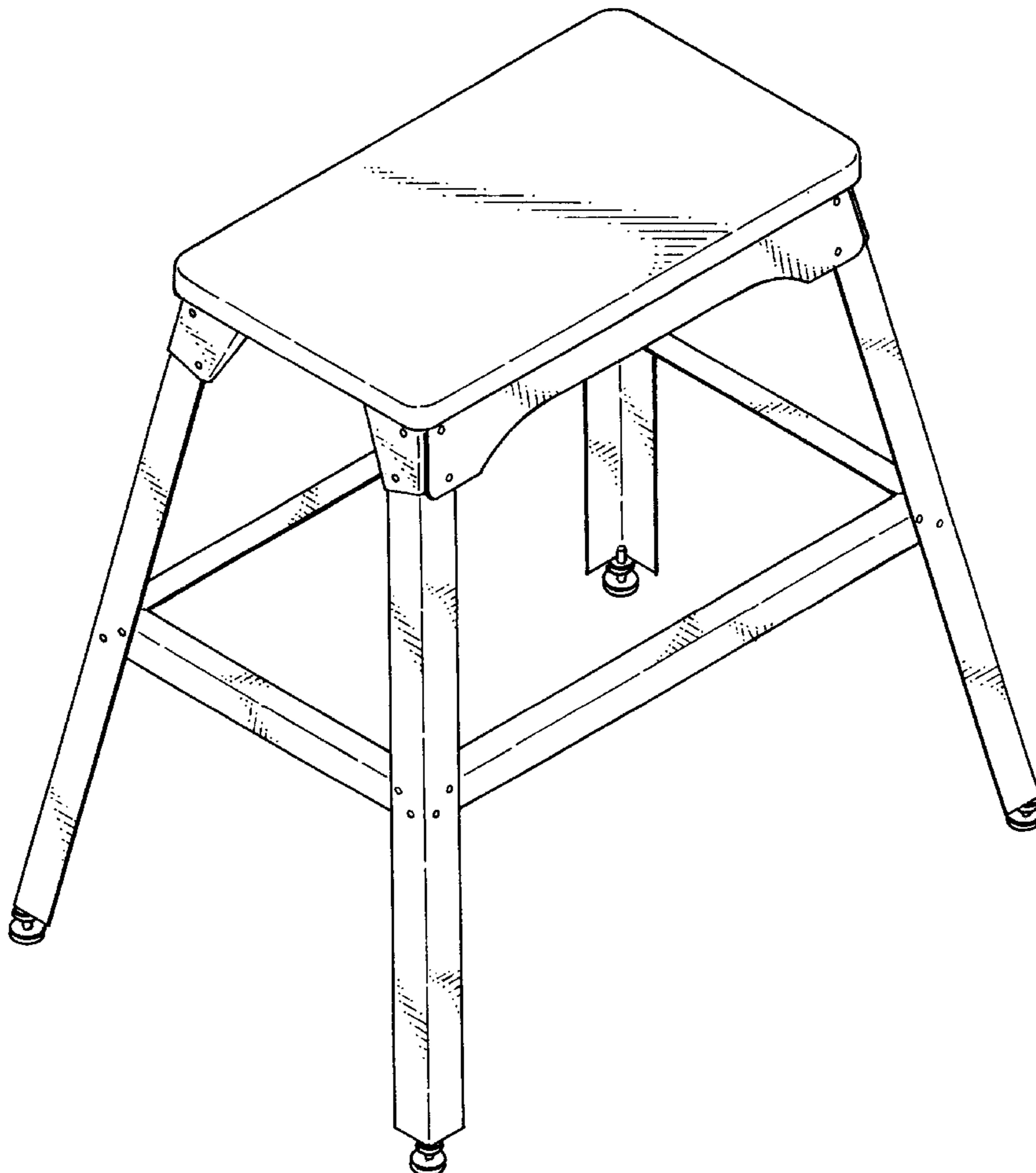


FIG. 1

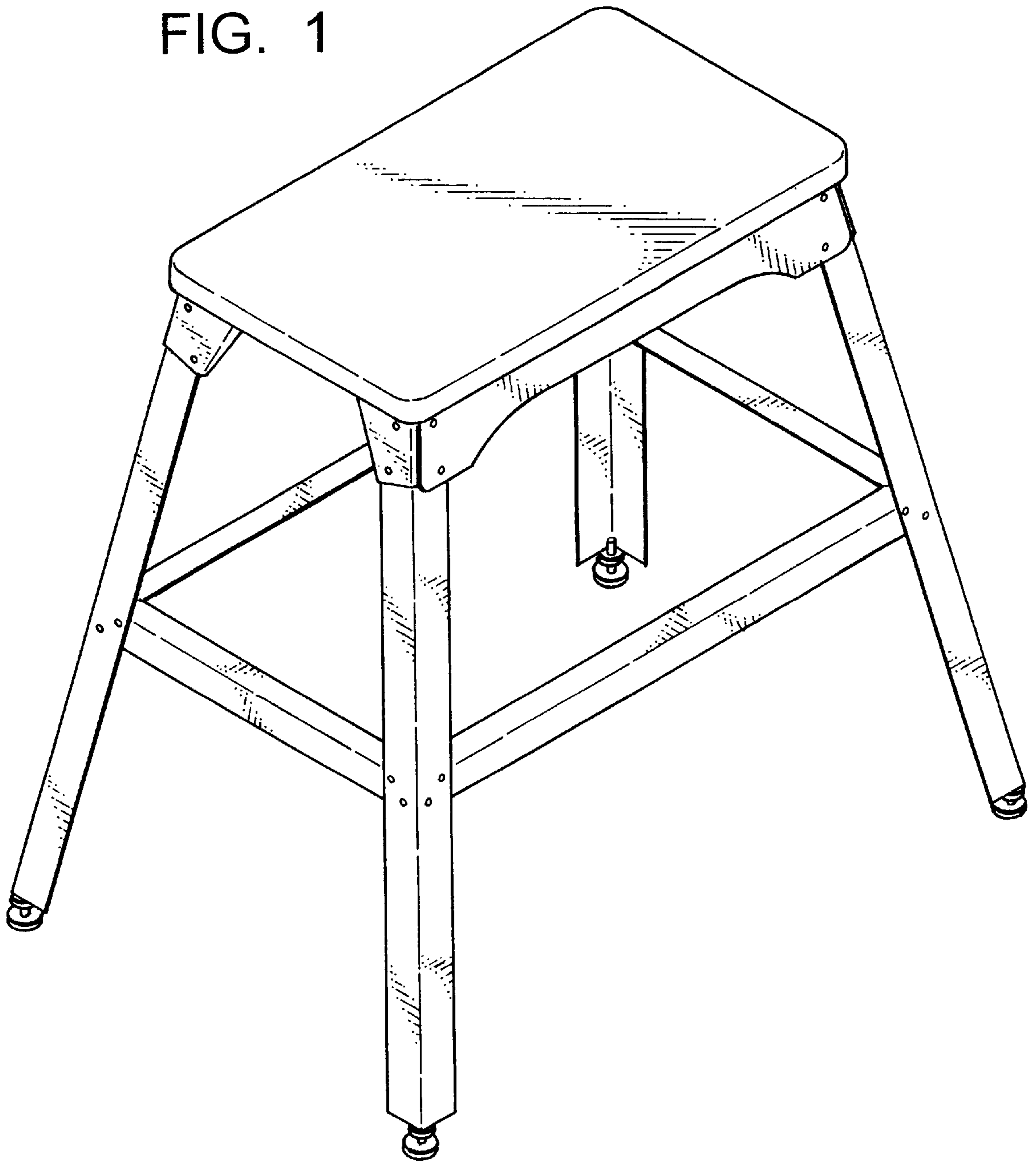


FIG. 2

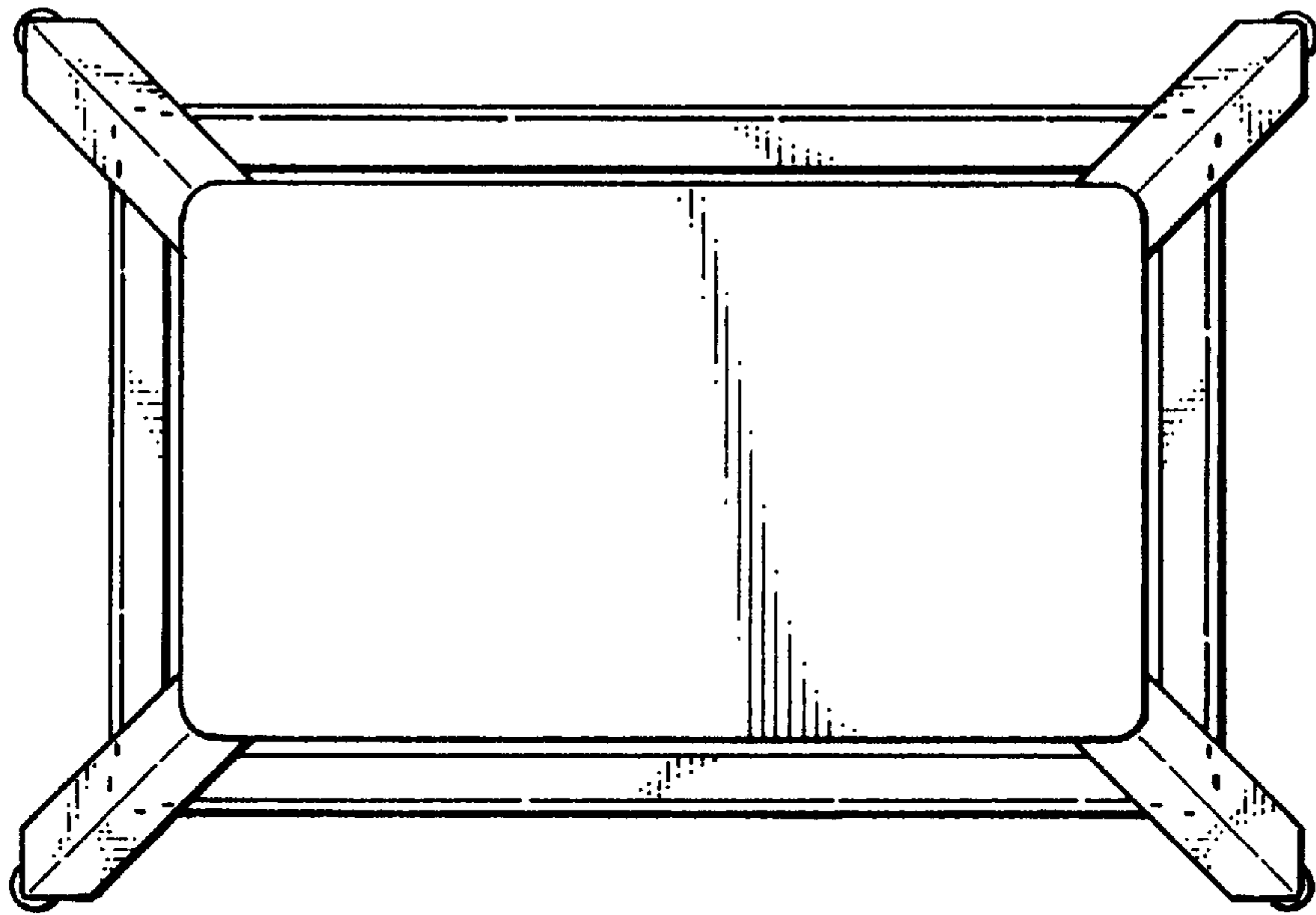


FIG. 3

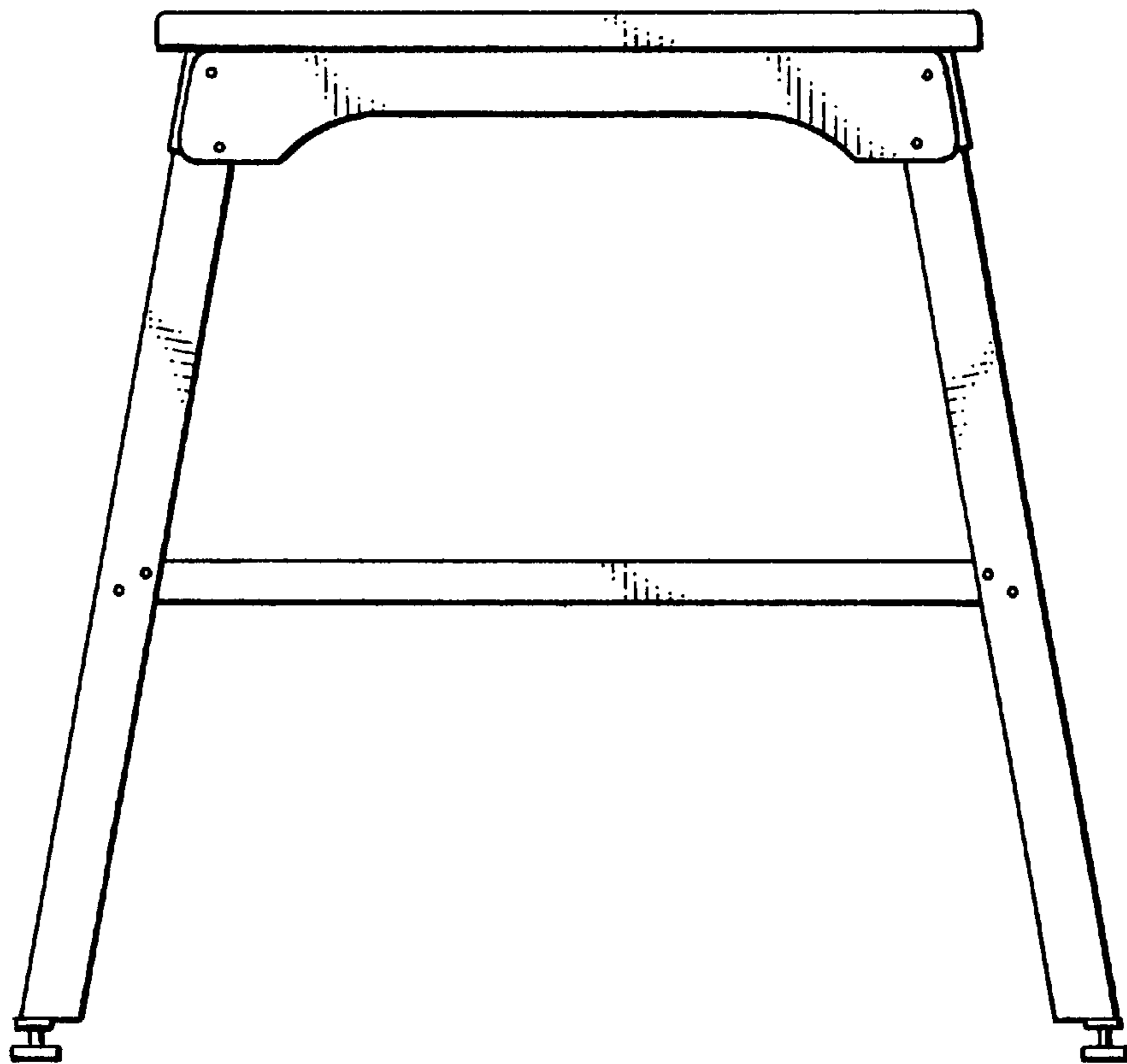


FIG. 4

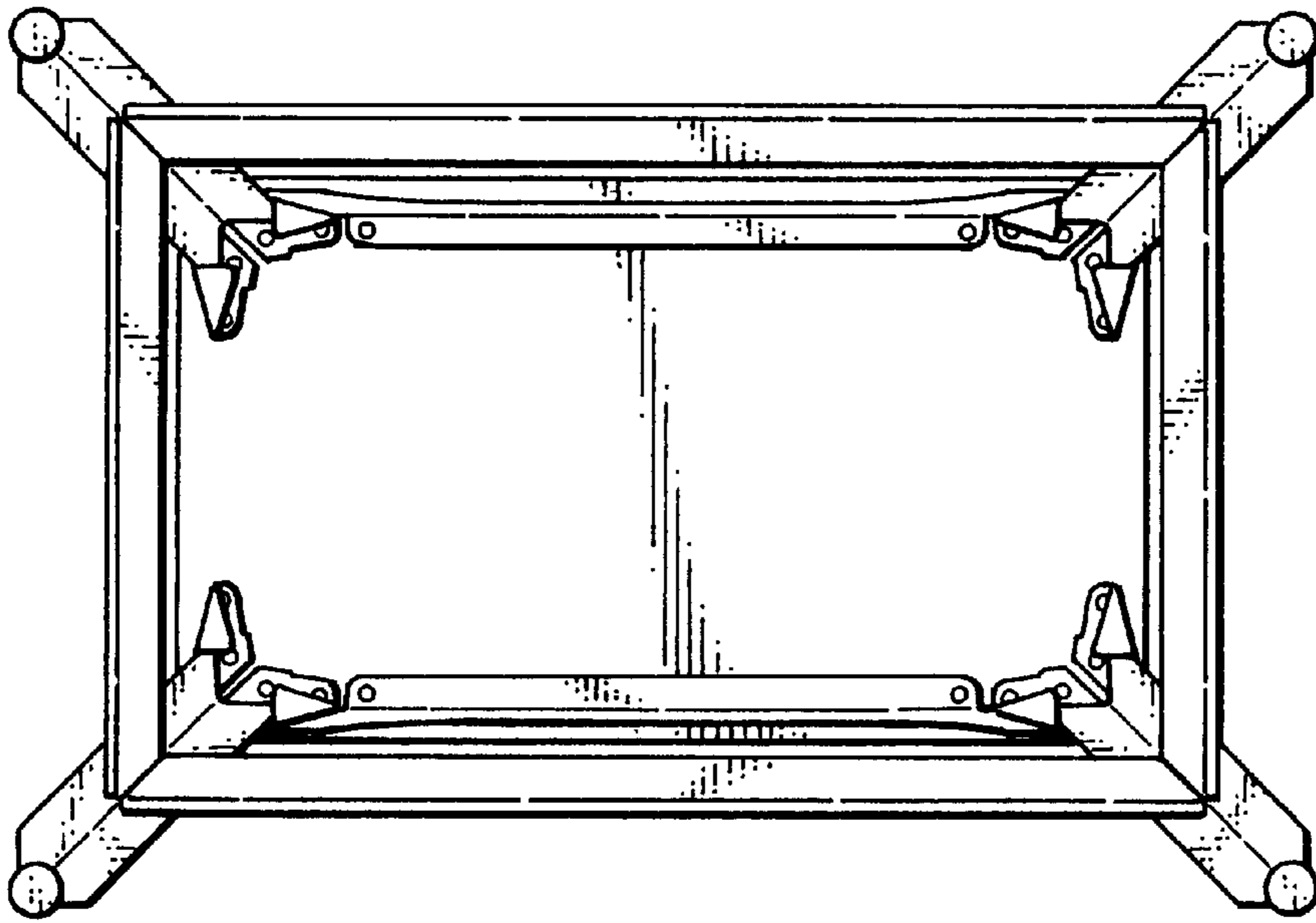


FIG. 5

