



US00D436760S

(12) **United States Design Patent**
Dow

(10) **Patent No.: US D436,760 S**

(45) **Date of Patent: ** Jan. 30, 2001**

(54) **ERGONOMIC NOTEBOOK STAND**

(76) Inventor: **Rocky Lee Dow**, 102 Estabrook Way,
Folsom, CA (US) 95630

(**) Term: **14 Years**

(21) Appl. No.: **29/107,578**

(22) Filed: **Jul. 8, 1999**

(51) **LOC (7) Cl. 06-06**

(52) **U.S. Cl. D6/474; D6/429; D6/419**

(58) **Field of Search D6/480, 429, 419,
D6/420, 422, 495, 511, 477, 474; 108/50.01,
50.02, 157.13, 5; 312/194-196, 208.1; 248/441.1;
D14/114**

5,484,124	1/1996	Billings .
5,502,460	3/1996	Bowen .
5,503,361	4/1996	Kan-O et al. .
5,607,054	3/1997	Zivari .
5,630,566	5/1997	Case .
5,678,800	10/1997	Markussen .
5,717,431	2/1998	Chia-Ying et al. .
5,720,465	2/1998	Peltzer et al. .
5,722,624	3/1998	Watt et al. .
5,729,220	3/1998	Russell .
5,729,429	3/1998	Margaritis et al. .
5,733,025	3/1998	Jesse, Sr. .
5,738,320	4/1998	Matos et al. .
5,745,341	4/1998	Wolff et al. .

(List continued on next page.)

Primary Examiner—Janice E. Seeger
(74) *Attorney, Agent, or Firm*—Bernhard Kreten

(56) **References Cited**

U.S. PATENT DOCUMENTS

D. 306,534	3/1990	Bacon et al. .	
D. 339,250	9/1993	Risom et al. .	
D. 341,958	12/1993	Allred .	
D. 376,278	12/1996	Hollingsworth .	
D. 390,209	2/1998	Dials et al. .	
D. 394,172	* 5/1998	Kubo et al.	D6/474
D. 394,646	5/1998	Ratzlaff .	
D. 398,458	9/1998	Martell .	
1,805,989	5/1931	Levene .	
3,120,199	2/1964	Kolster et al. .	
4,379,429	4/1983	Gubbe et al. .	
4,515,086	5/1985	Kwieceński et al. .	
4,560,132	12/1985	Wilder .	
4,705,327	11/1987	Bollman .	
4,717,112	* 1/1988	Pirkle	248/639
4,725,106	2/1988	Shields et al. .	
4,830,328	5/1989	Takach, Jr. et al. .	
5,044,284	9/1991	Gross .	
5,071,204	12/1991	Price et al. .	
5,127,340	7/1992	Maro et al. .	
5,174,224	12/1992	Nagy et al. .	
5,209,452	5/1993	Goldberg .	
5,385,327	1/1995	Hegarty et al. .	
5,419,525	5/1995	Hilton .	
5,470,041	11/1995	Cucinotta .	
5,481,987	* 1/1996	Maitland	312/196

(57) **CLAIM**

The ornamental design for an ergonomic notebook stand, as shown and described.

DESCRIPTION

FIG. 1 is a perspective view of an ergonomic notebook stand, showing my new design; the broken lines are for environmental purposes only and form no part of the claimed design.

FIG. 2 is an exploded parts view thereof.

FIG. 3 is a front plan view thereof.

FIG. 4 is a back plan view thereof.

FIG. 5 is a side view thereof.

FIG. 6 is a side elevational view showing the side not shown in FIG. 5.

FIG. 7 is a top view thereof.

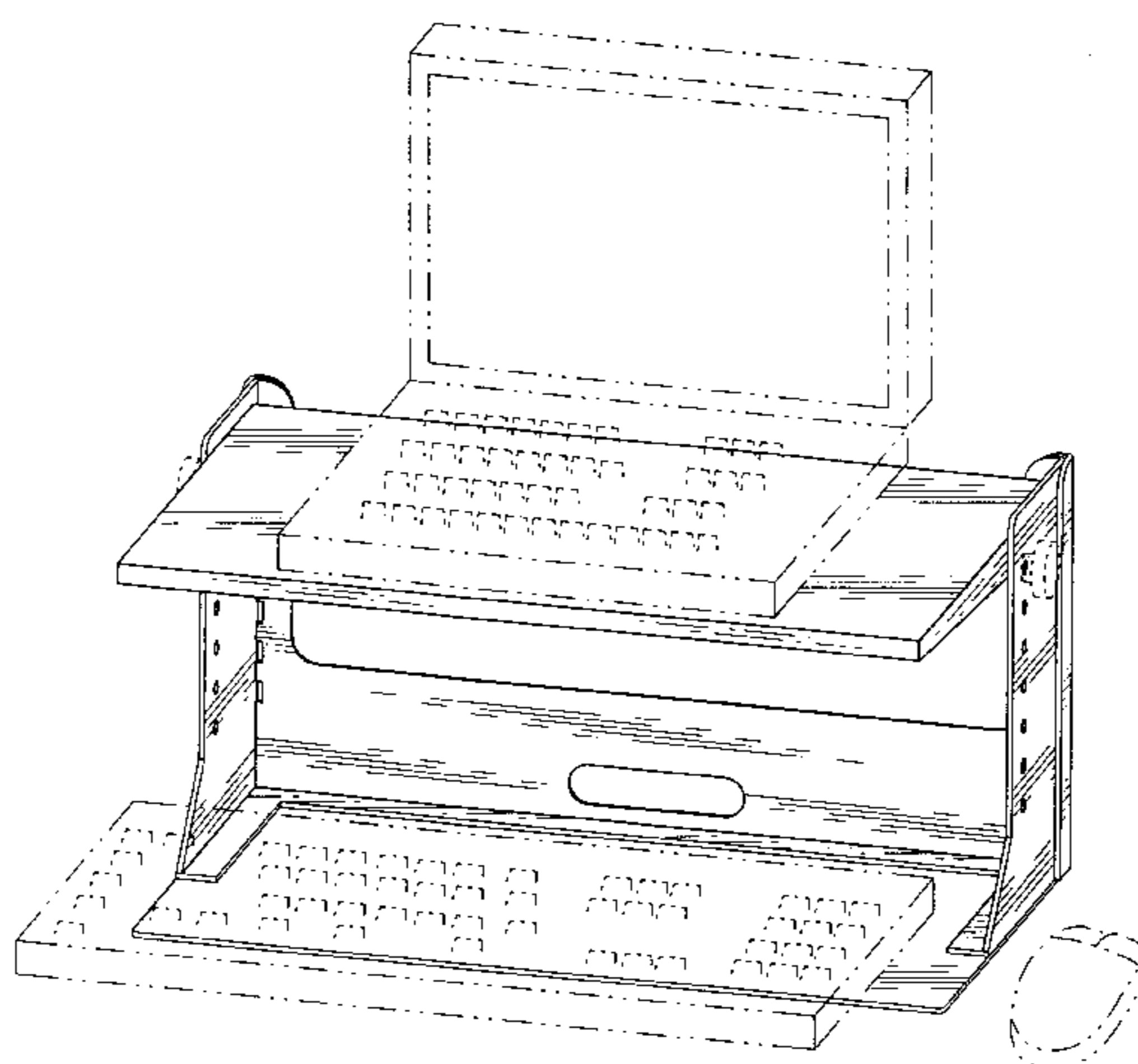
FIG. 8 is a bottom view thereof.

FIG. 9 is a side view thereof as shown in FIG. 5, in a second position.

FIG. 10 is an opposite side view thereof as shown in FIG. 6, in a second position.

The broken-line showing of environmental structure in FIGS. 1, 4, 5, 6, 7, and 8 is for illustrative purposes only and forms no part of the claimed design.

1 Claim, 4 Drawing Sheets



US D436,760 S

Page 2

U.S. PATENT DOCUMENTS					
			5,791,259	8/1998	Mansfield et al. .
			5,791,263	8/1998	Watt et al. .
5,752,449	5/1998	Simon et al. .	5,805,415	9/1998	Tran .
5,754,395	5/1998	Hsu et al. .	5,815,735	9/1998	Baker .
5,758,849	6/1998	Bui et al. .	5,818,690	10/1998	Spencer .
5,764,164	6/1998	Cartabiano et al. .	5,822,185	10/1998	Cavello .
5,765,797	6/1998	Greene et al. .	5,833,200	11/1998	Patterson .
5,769,369	6/1998	Meinel .	6,010,262 *	1/2000	Linyear et al. 400/714
5,771,152	6/1998	Crompton et al. .			
5,774,332	6/1998	Ruch et al. .			
5,779,212	7/1998	Back .			

* cited by examiner

Fig. 1

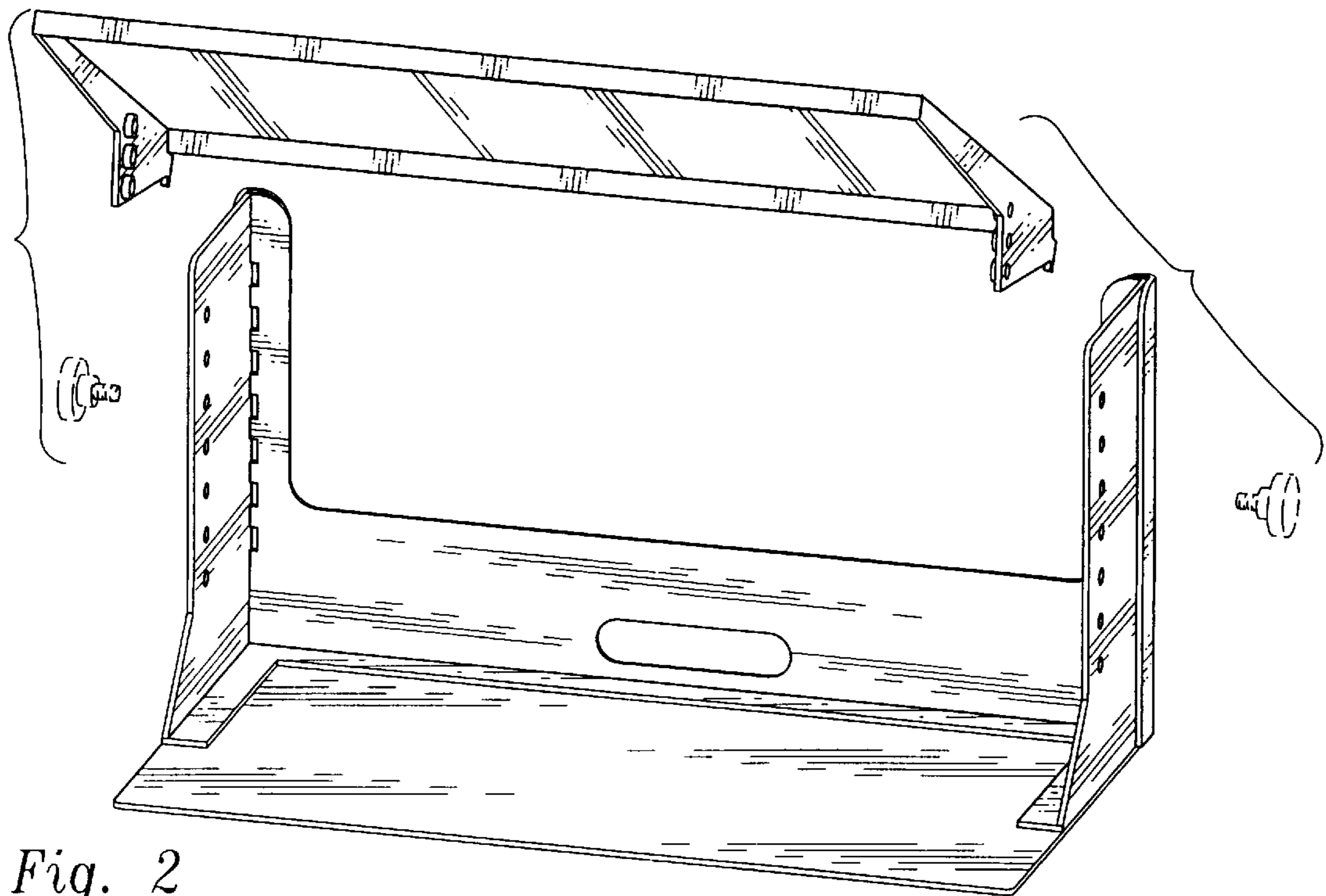
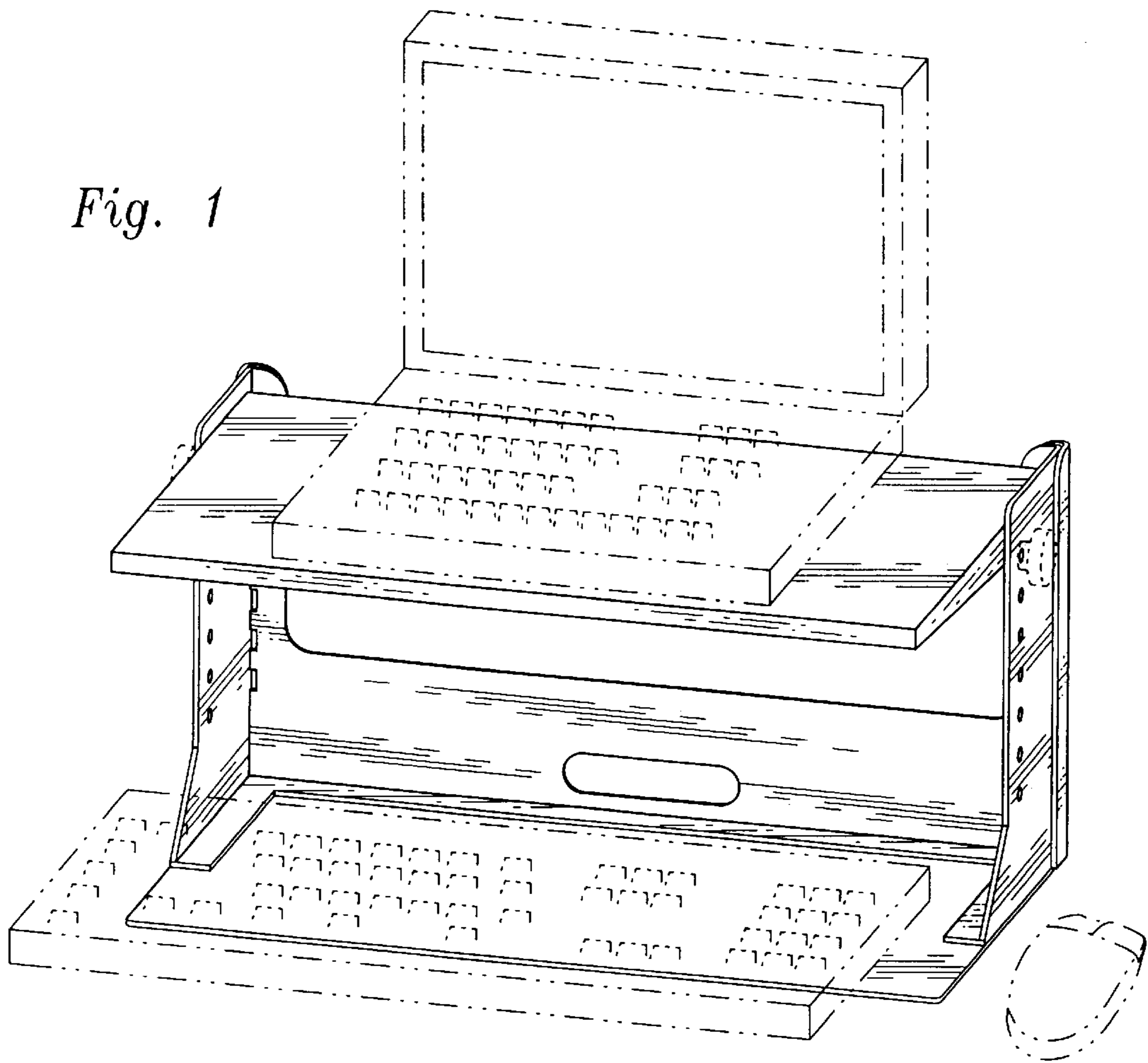


Fig. 2

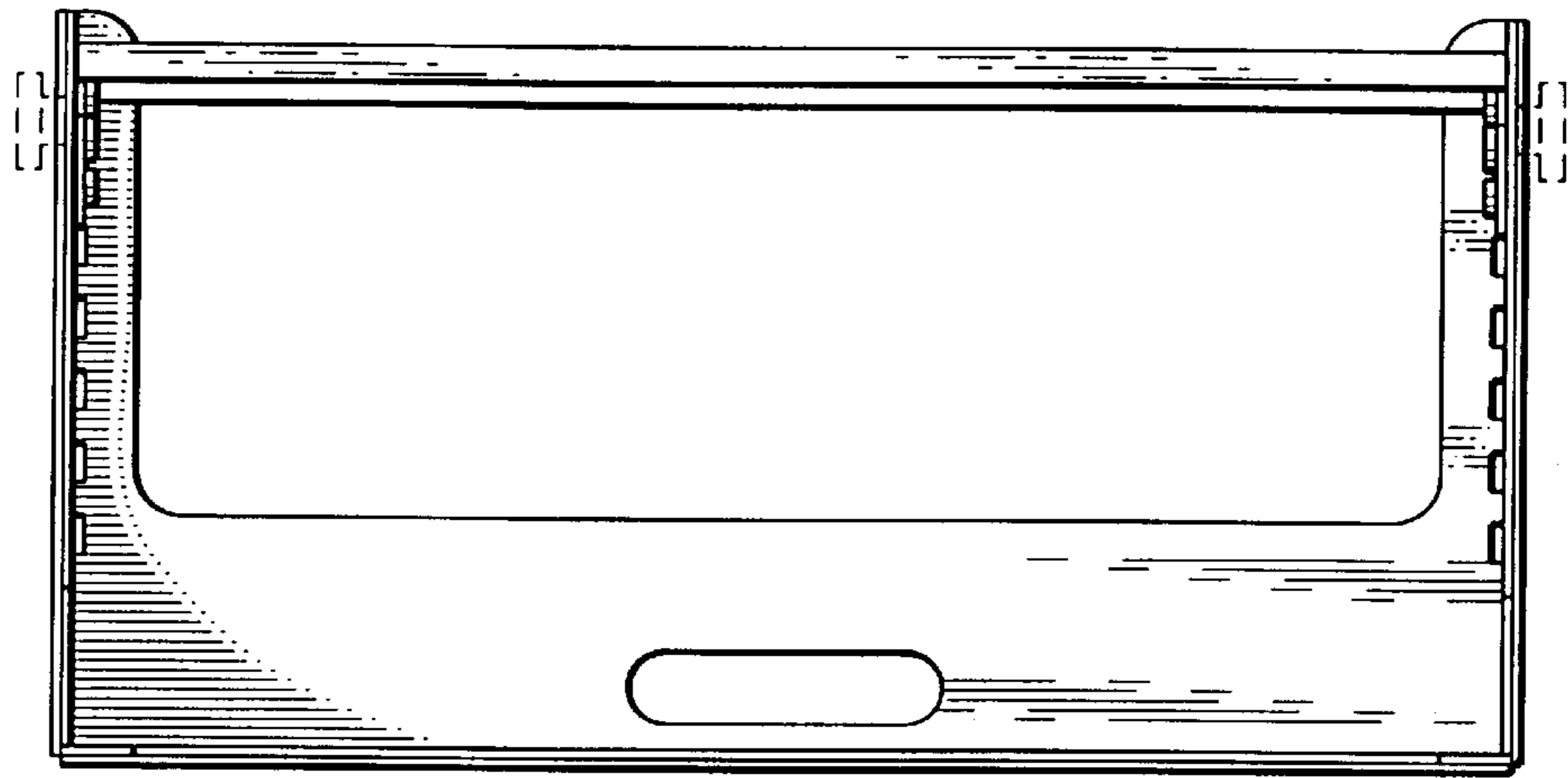


Fig. 3

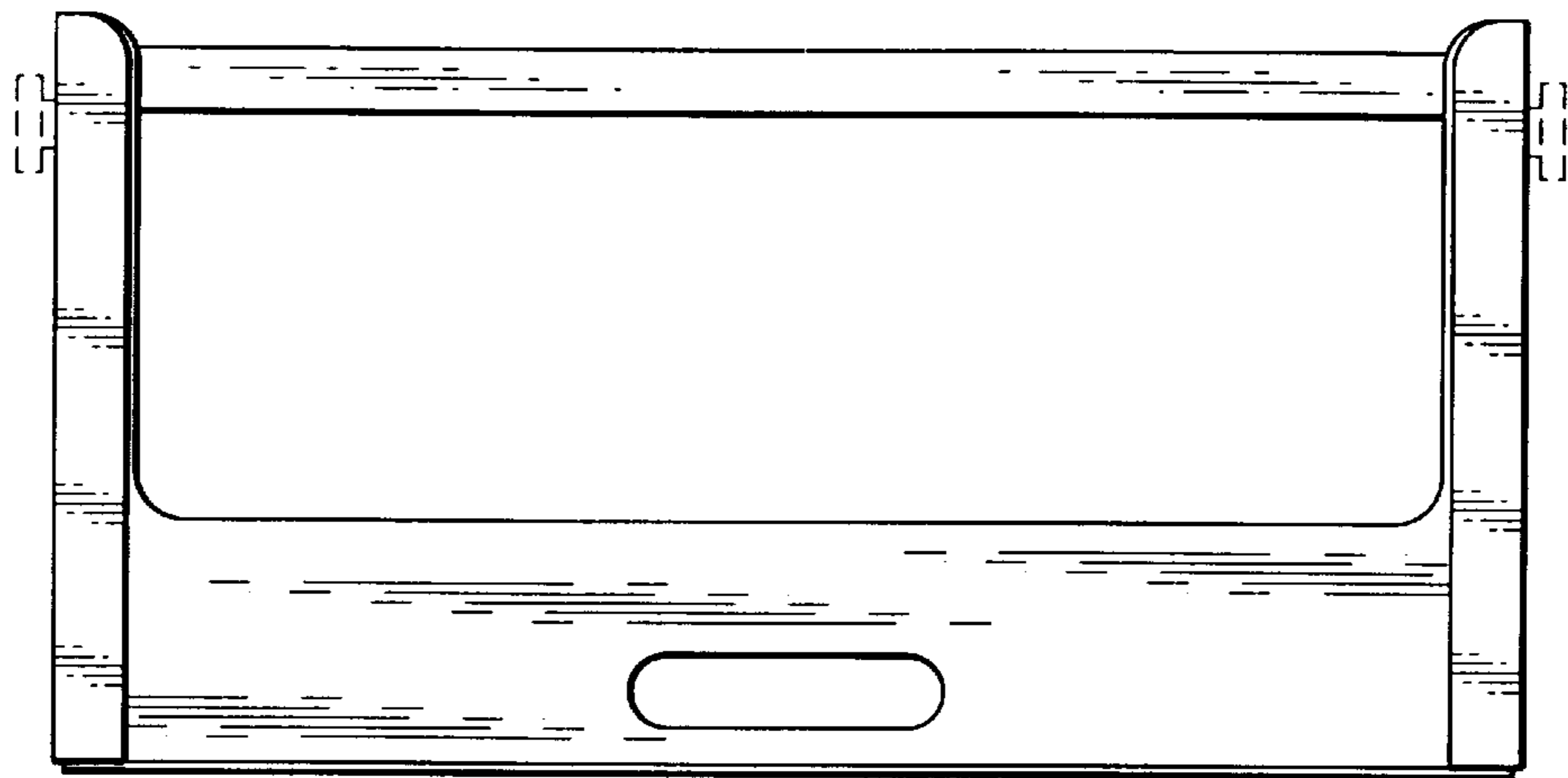


Fig. 4

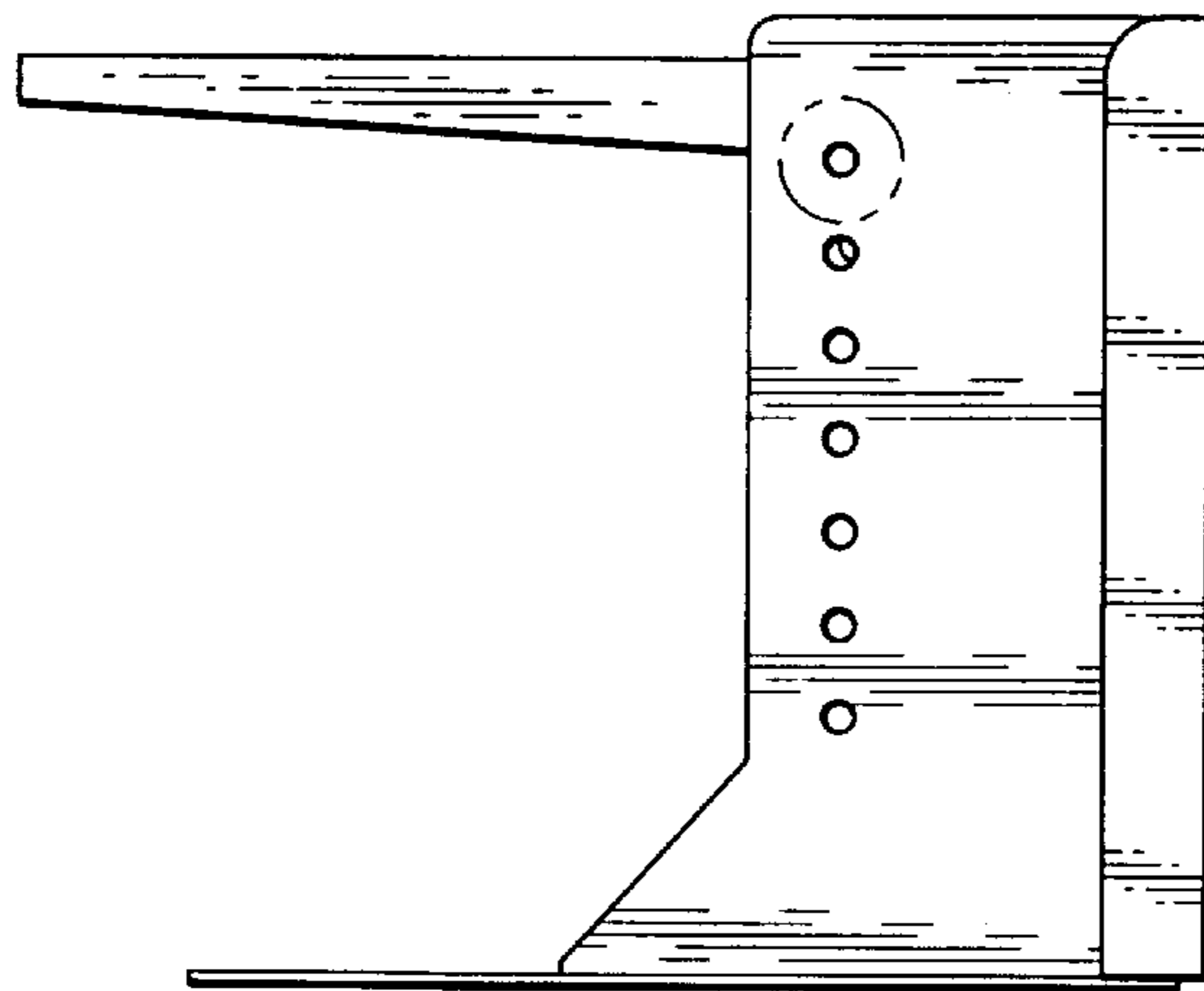


Fig. 5

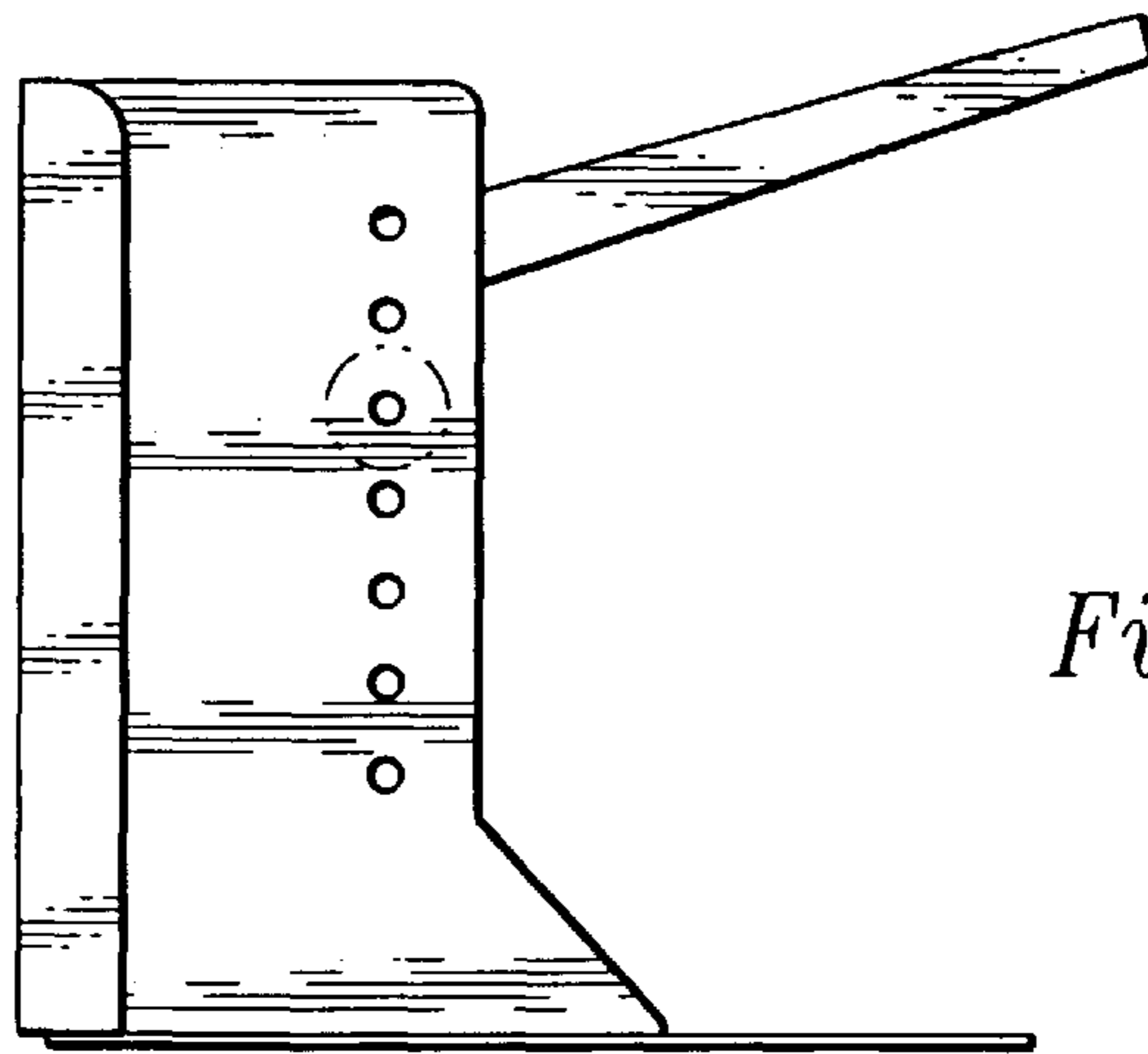


Fig. 6

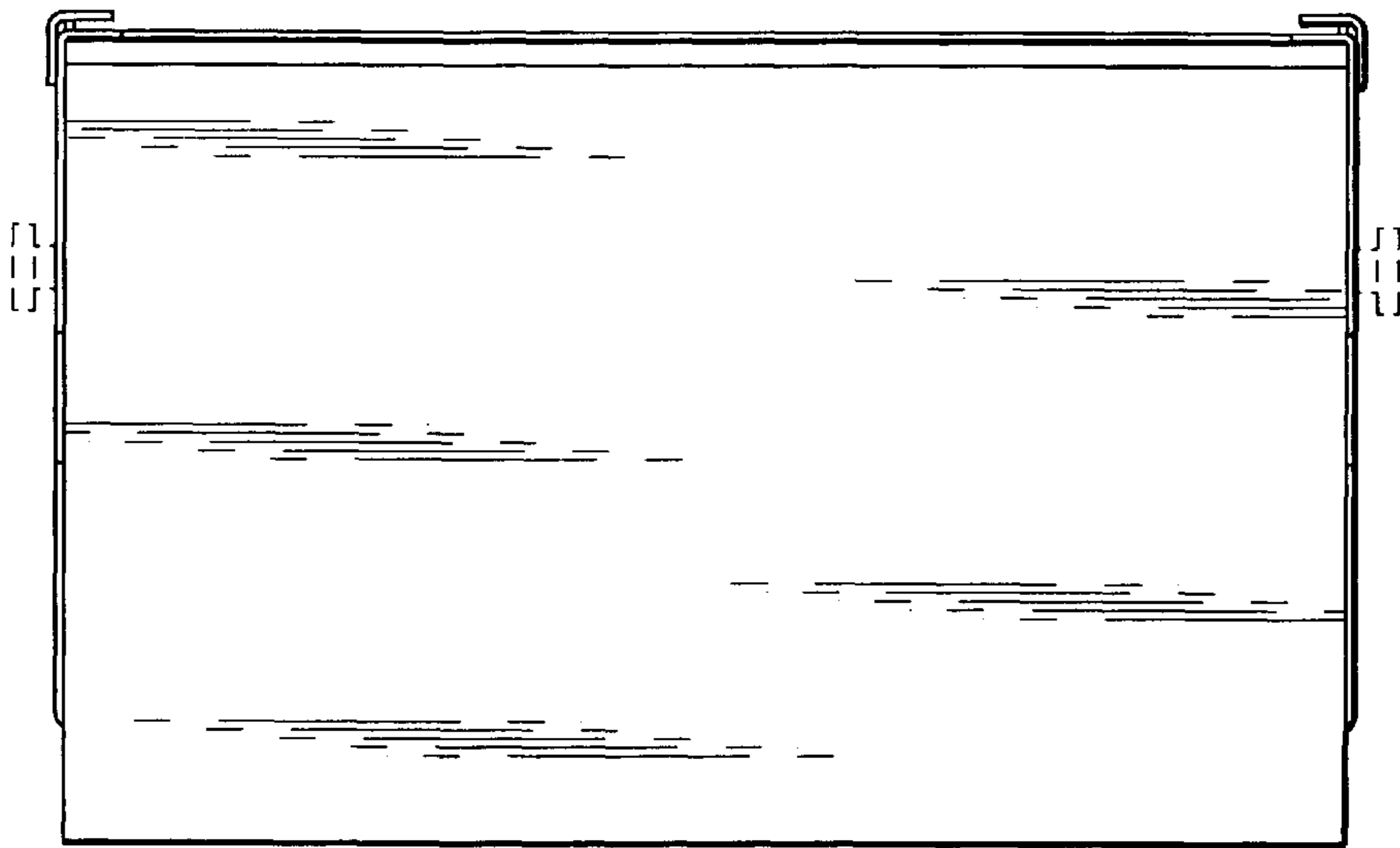


Fig. 7

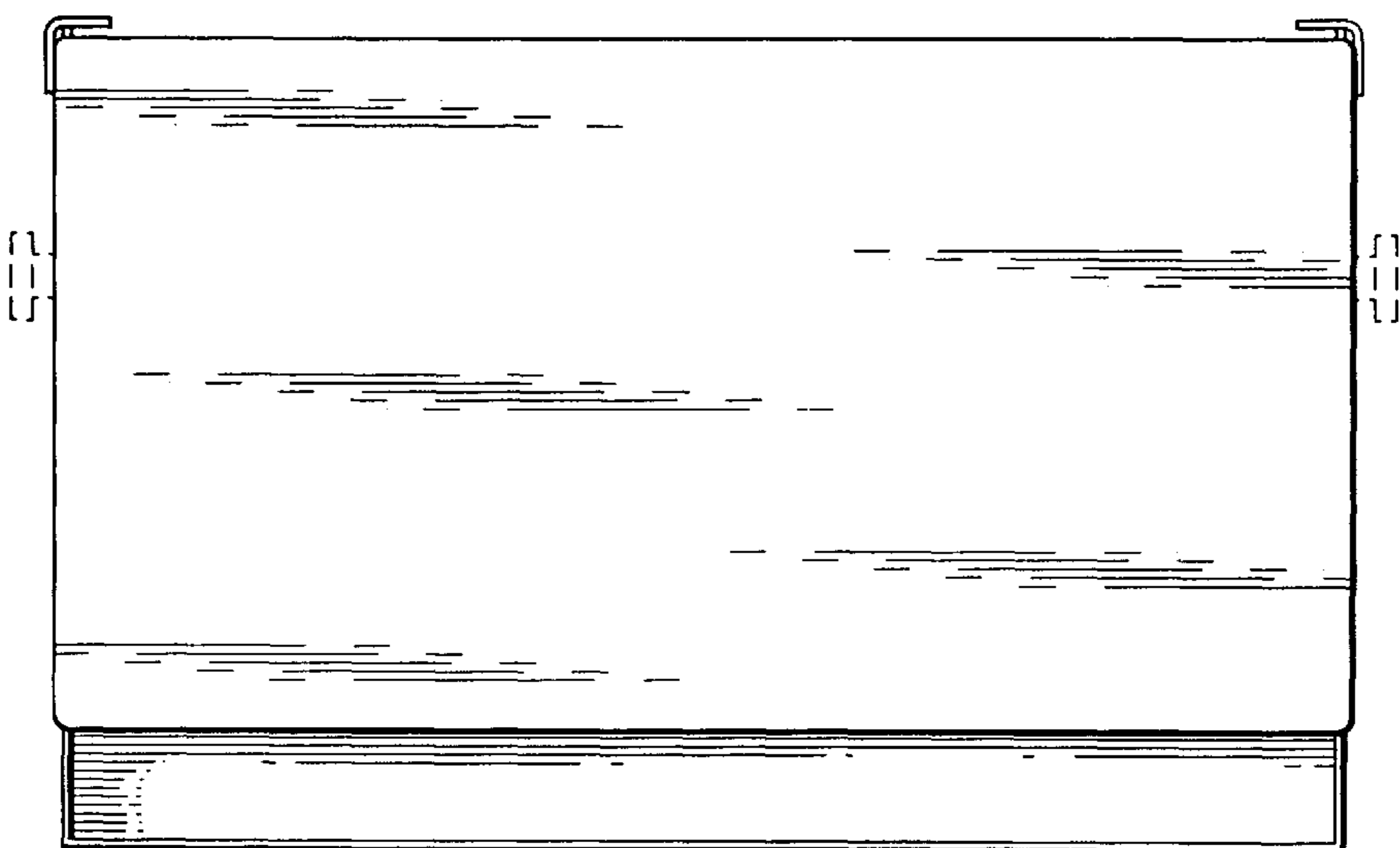


Fig. 8

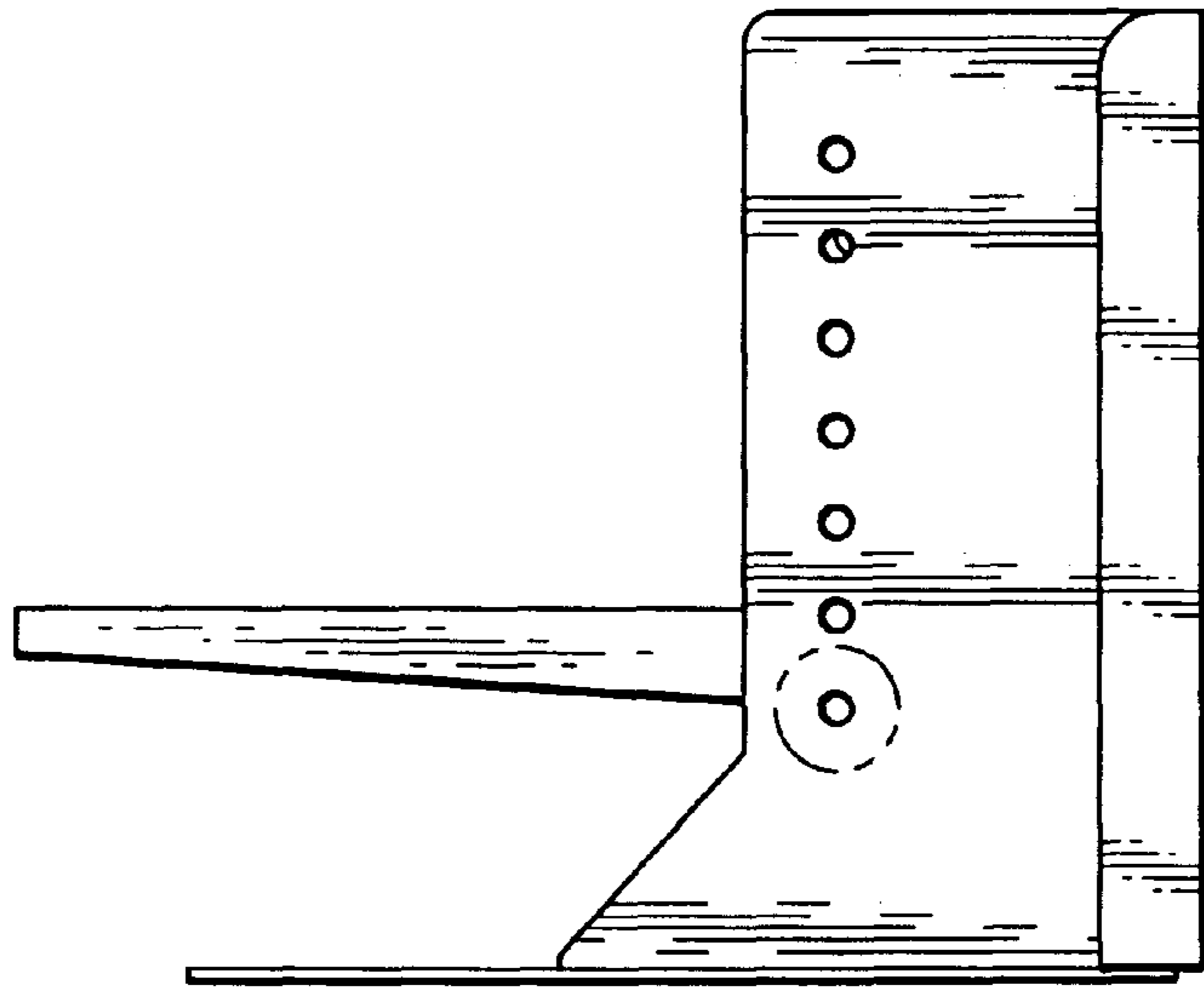


Fig. 9

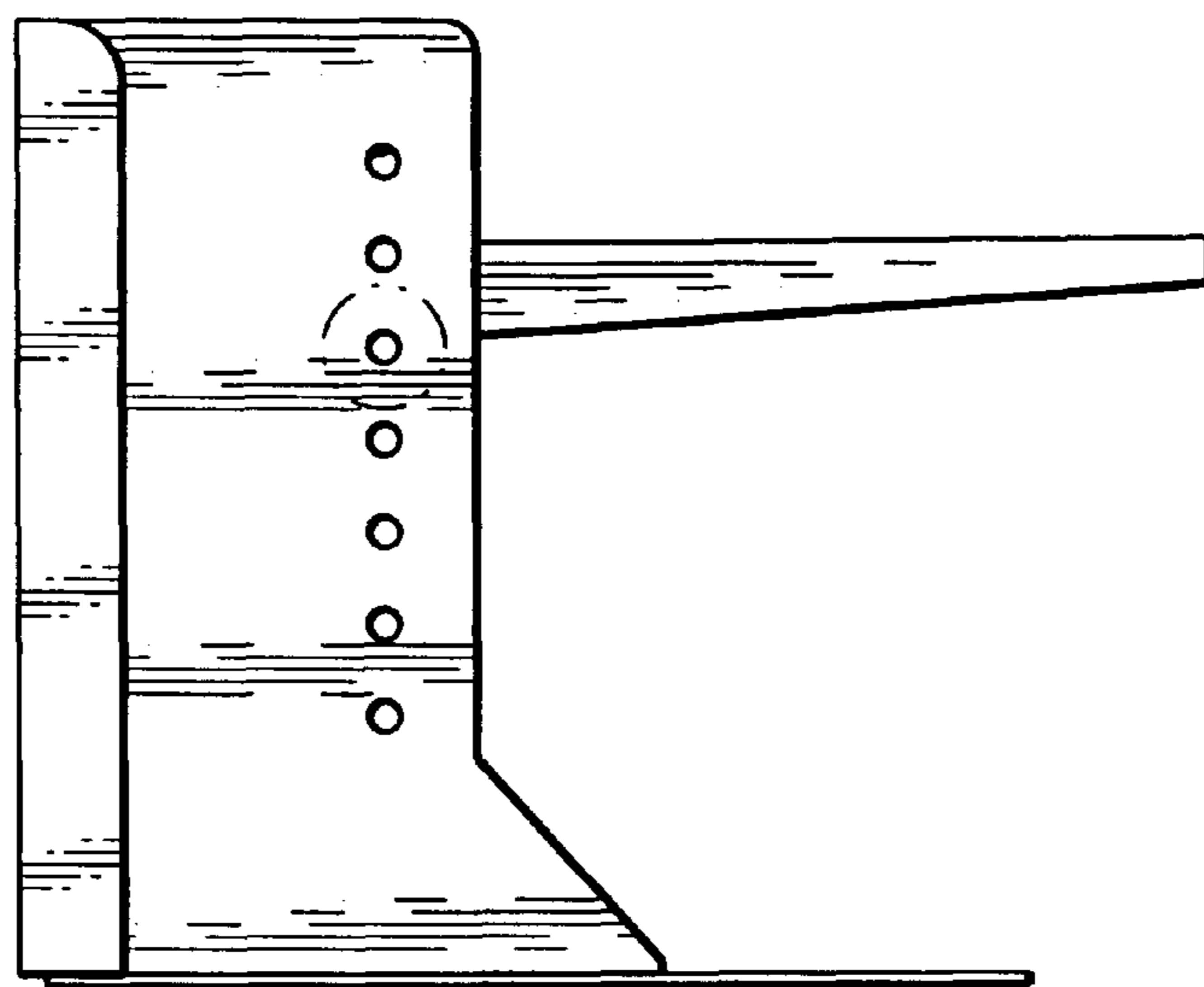


Fig. 10