



US00D436759S

(12) **United States Design Patent**
Helliwell

(10) **Patent No.:** **US D436,759 S**

(45) **Date of Patent:** **** Jan. 30, 2001**

(54) **COMPUTER GAME DESK**

4,646,655 3/1987 Robolin .
5,088,420 2/1992 Russell .

(76) Inventor: **Gary Helliwell**, Wolds Farm, Lamin
Gap Lane, Stanton-on-the-Wolds,
Nottingham, GN12 5PJ (GB)

FOREIGN PATENT DOCUMENTS

(**) Term: **14 Years**

0 058 125 8/1982 (EP) .
2 168 246 6/1986 (GB) .
2 281 200 3/1995 (GB) .
2 311 935 10/1997 (GB) .

(21) Appl. No.: **29/098,192**

* cited by examiner

(22) Filed: **Dec. 22, 1998**

Primary Examiner—Carmen H. Vales-Lado

(30) **Foreign Application Priority Data**

(74) *Attorney, Agent, or Firm*—Fish & Richardson P.C.

Jun. 26, 1998 (GB) 2075597

(57) **CLAIM**

(51) **LOC (7) Cl.** **06-04**

The ornamental design for a computer game desk, as shown and described.

(52) **U.S. Cl.** **D6/474**

(58) **Field of Search** D6/422-428, 474;
312/194-196, 223.3; 108/92, 94, 64, 108,
106, 96

DESCRIPTION

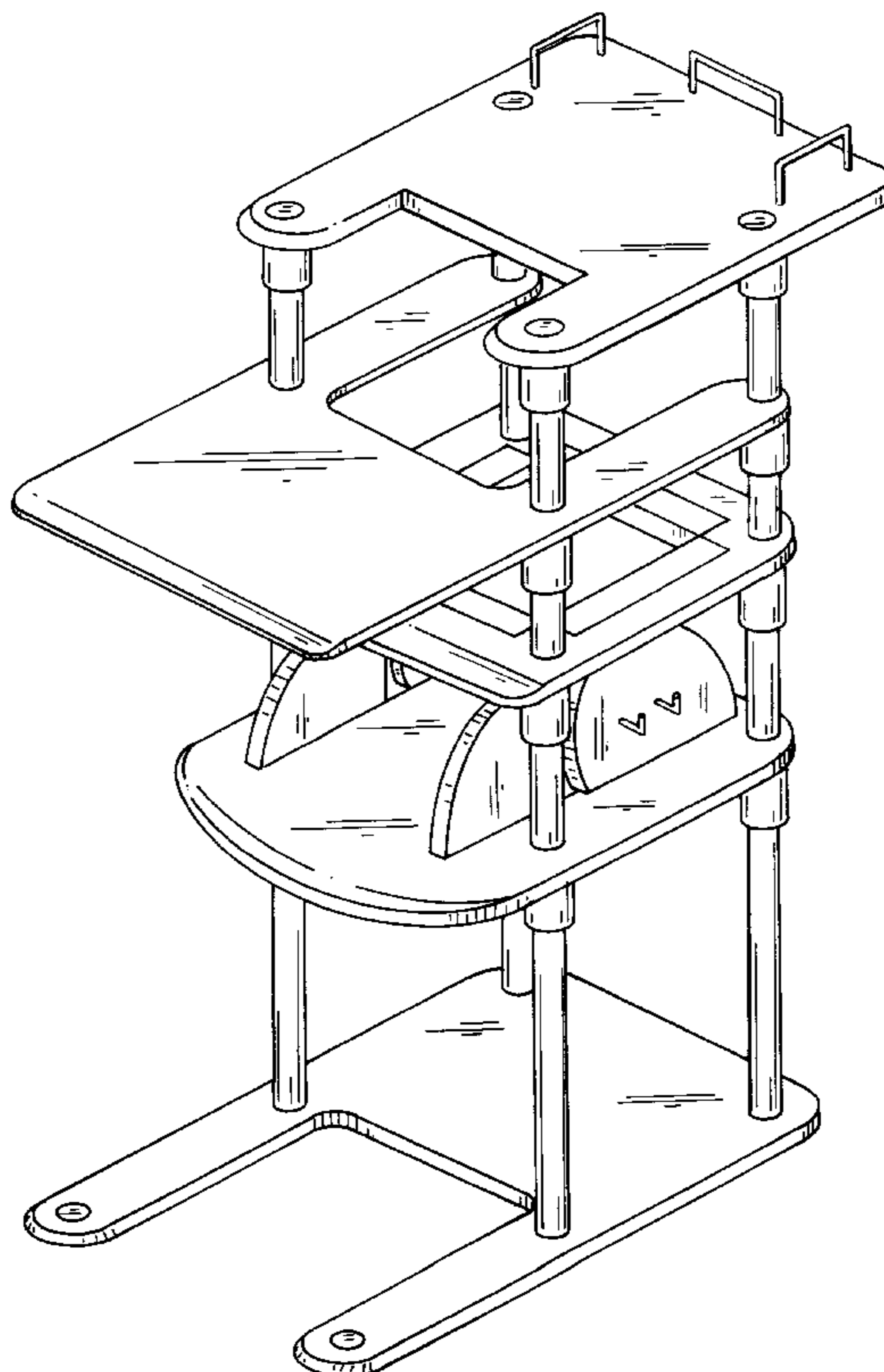
(56) **References Cited**

FIG. 1 is a perspective view of a computer game desk showing my new design;
FIG. 2 is a front elevational view thereof;
FIG. 3 is a rear elevational view thereof;
FIG. 4 is a left side elevational view thereof;
FIG. 5 is a right side elevational view thereof;
FIG. 6 is a top plan view thereof;
FIG. 7 is a perspective view with the monitor stand removed for convenience of illustration; and,
FIG. 8 is a perspective view of the console support with the main station removed for convenience of illustration.

U.S. PATENT DOCUMENTS

- D. 296,143 * 6/1988 Bettess D6/474 X
- D. 304,112 * 10/1989 Bettess D6/474 X
- D. 305,710 * 1/1990 Ng et al. D6/474
- D. 324,143 * 2/1992 Hammond D6/474
- D. 330,296 * 10/1992 Keong D6/426
- D. 330,297 * 10/1992 Keong D6/426
- D. 330,298 * 10/1992 Keong D6/426
- D. 334,310 * 3/1993 Keong D6/474
- D. 394,965 * 6/1998 Fang D6/474
- D. 406,201 * 3/1999 Olson et al. D6/426

1 Claim, 7 Drawing Sheets



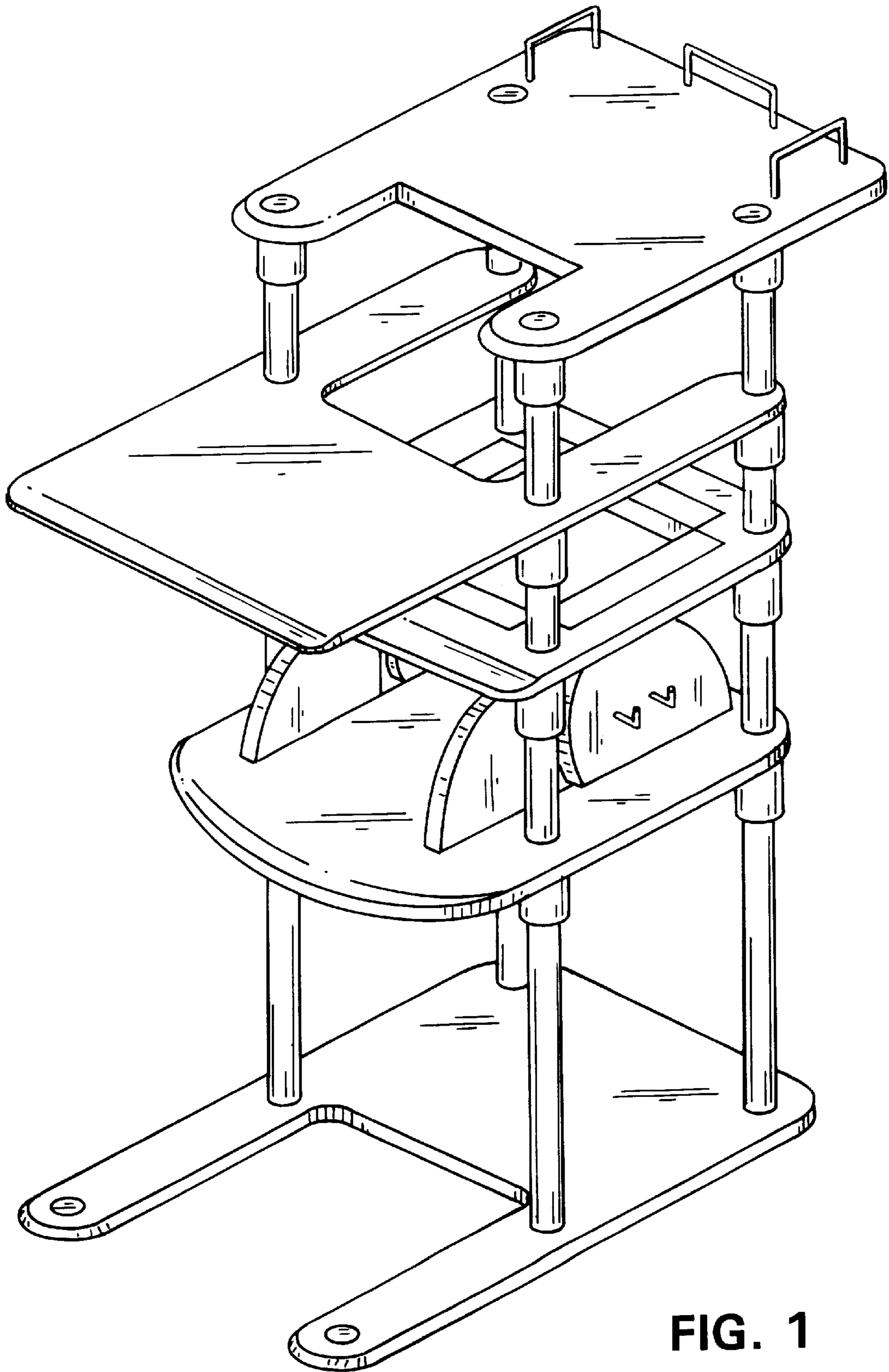


FIG. 1

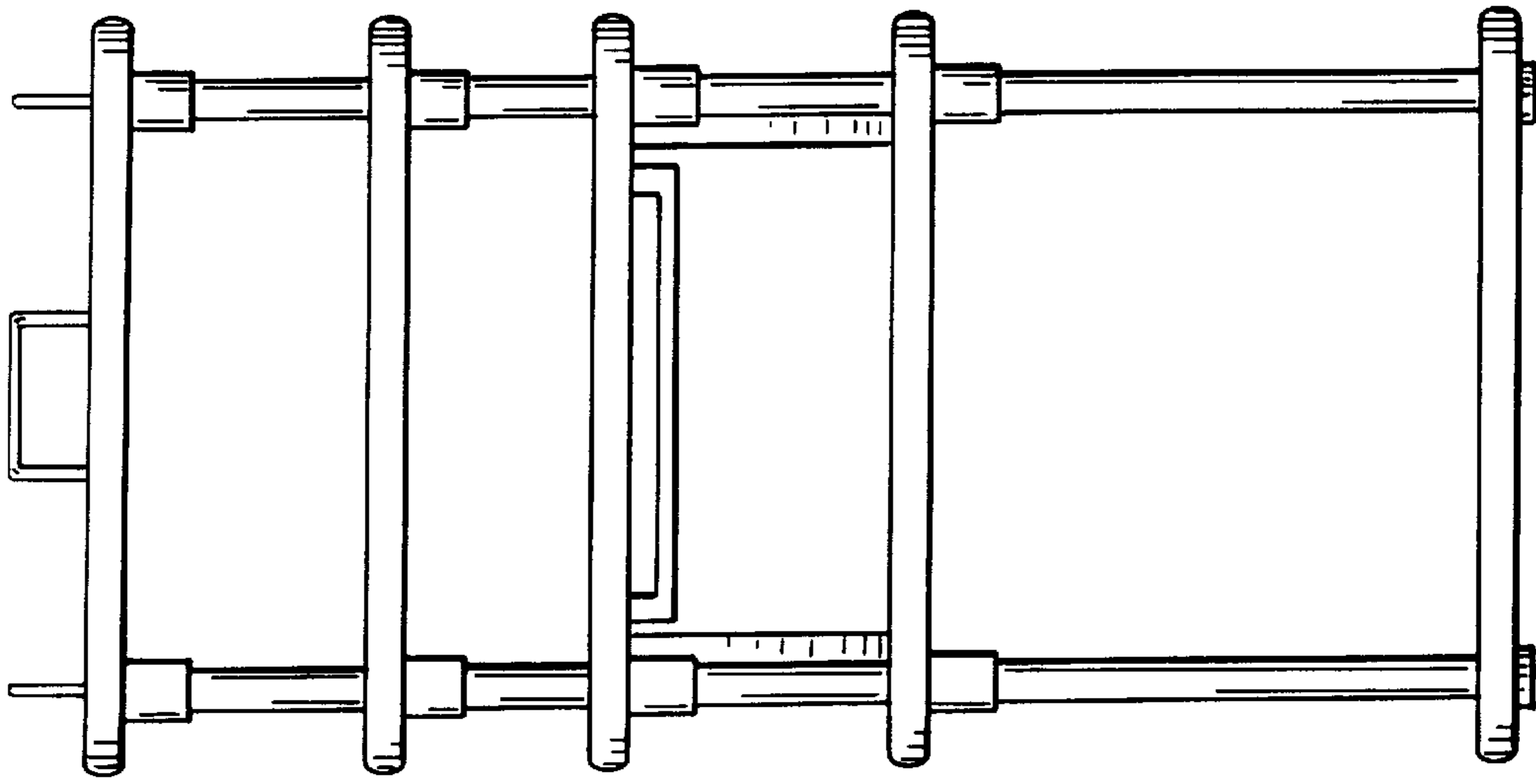


FIG. 3

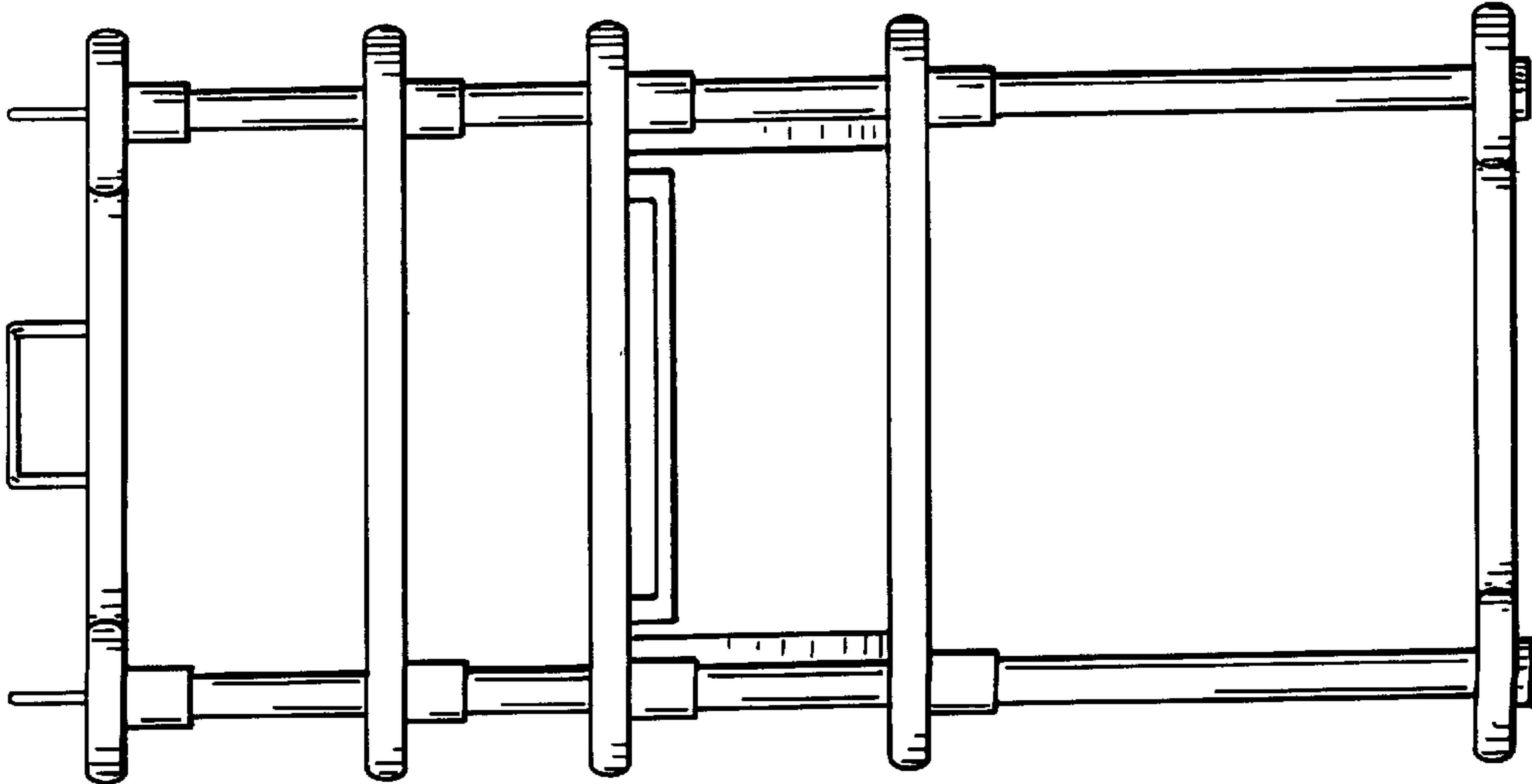


FIG. 2

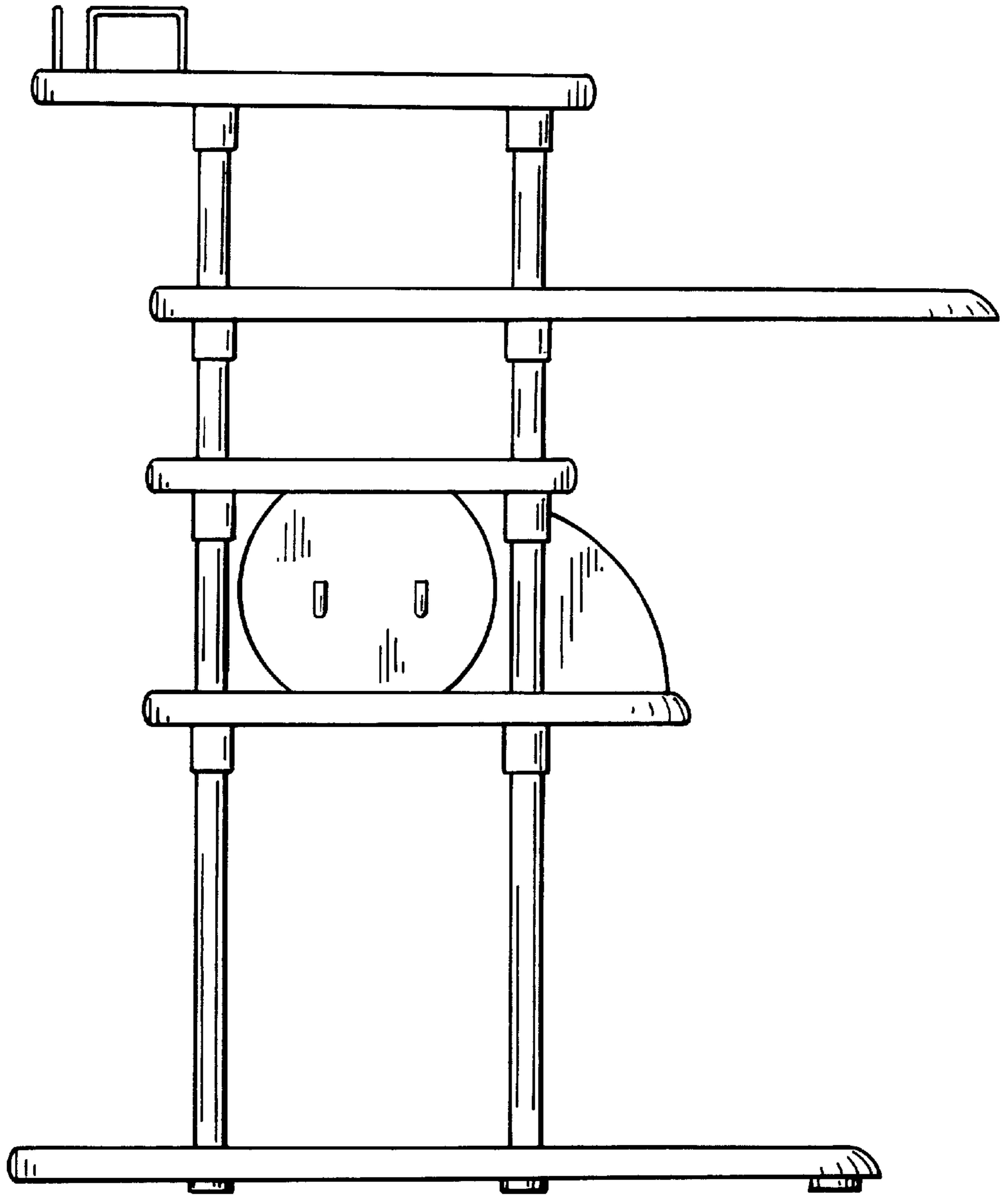


FIG. 4

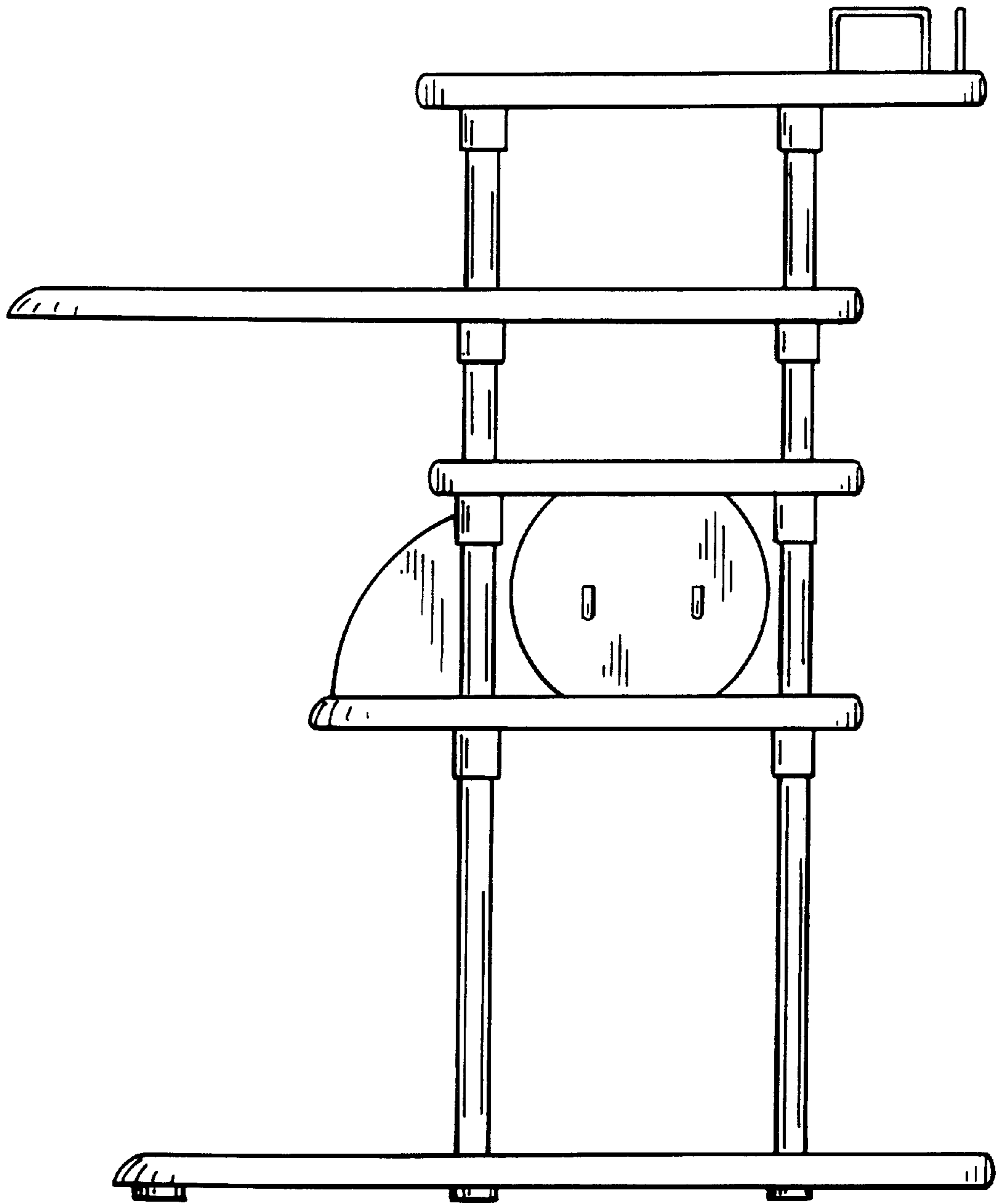


FIG. 5

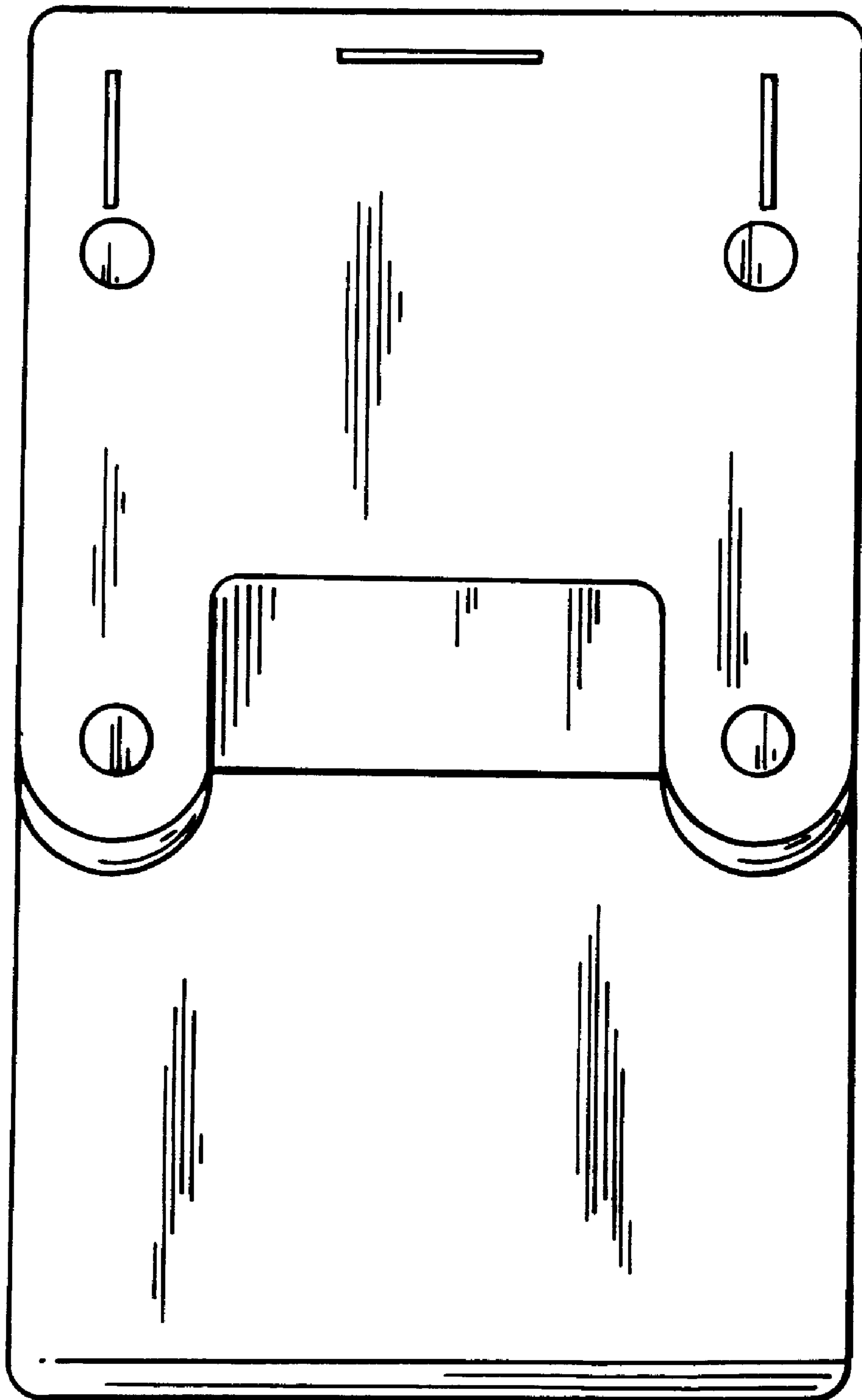


FIG. 6

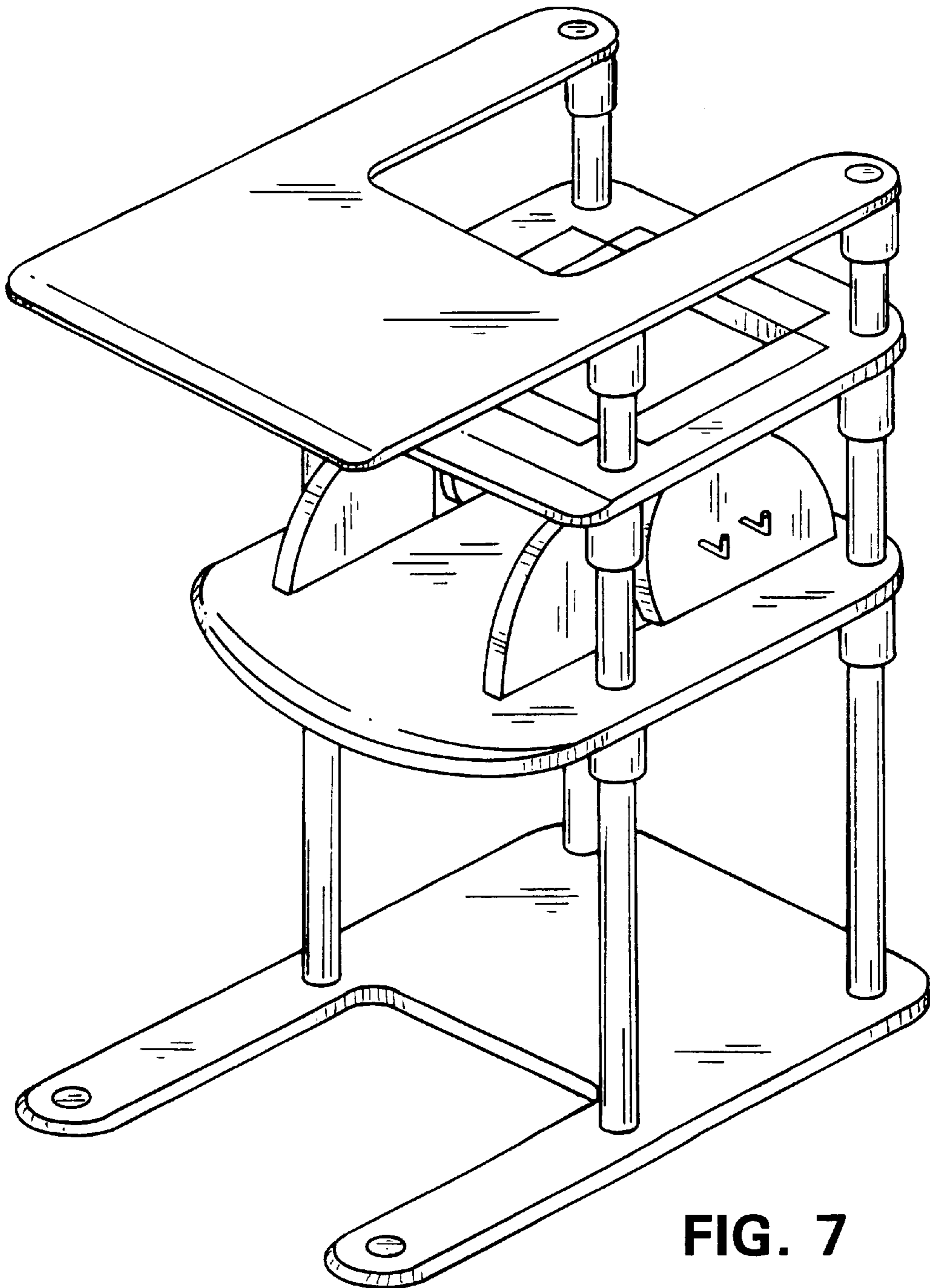


FIG. 7

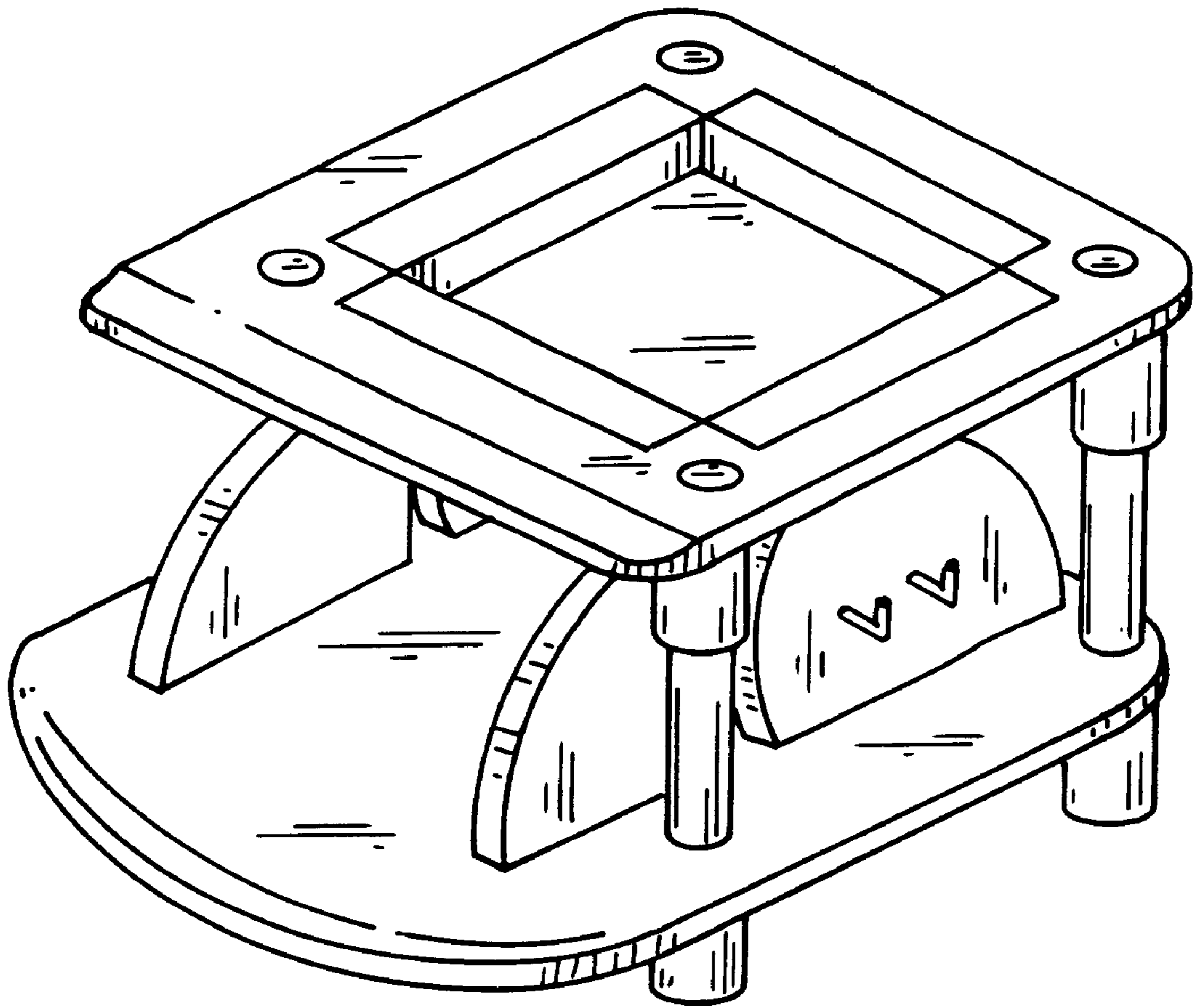


FIG. 8