



US00D436754S

(12) **United States Design Patent**
Bellini

(10) **Patent No.:** **US D436,754 S**

(45) **Date of Patent:** **** Jan. 30, 2001**

(54) **CHEST OF DRAWERS**

(75) Inventor: **Claudio Bellini**, Milan (IT)

(73) Assignee: **Frezza S.r.l.**, Vidor (IT)

(**) Term: **14 Years**

(21) Appl. No.: **29/103,483**

(22) Filed: **Apr. 15, 1999**

(30) **Foreign Application Priority Data**

Oct. 16, 1998 (XH) DM/045 510

(51) **LOC (7) Cl.** **06-04**

(52) **U.S. Cl.** **D6/445; D6/436**

(58) **Field of Search** D6/432-448, 425,
D6/429; 312/100, 209, 249.8, 257.1, 258

(56) **References Cited**

U.S. PATENT DOCUMENTS

- D. 273,923 * 5/1984 Matthias D6/445
- D. 295,470 * 5/1988 Uredat-Neuhoff D6/440
- D. 329,251 * 9/1992 Olswold et al. D6/429 X
- D. 353,955 * 1/1995 Stewart D6/445
- D. 387,224 * 12/1997 Dunlap, Jr. D6/446

- D. 388,634 * 1/1998 Mulligan et al. D6/436
- D. 407,233 * 3/1999 Naas et al. D6/425

* cited by examiner

Primary Examiner—Cathron Brooks

(74) *Attorney, Agent, or Firm*—Guido Modiano; Albert Josif; Daniel O’Byrne

(57) **CLAIM**

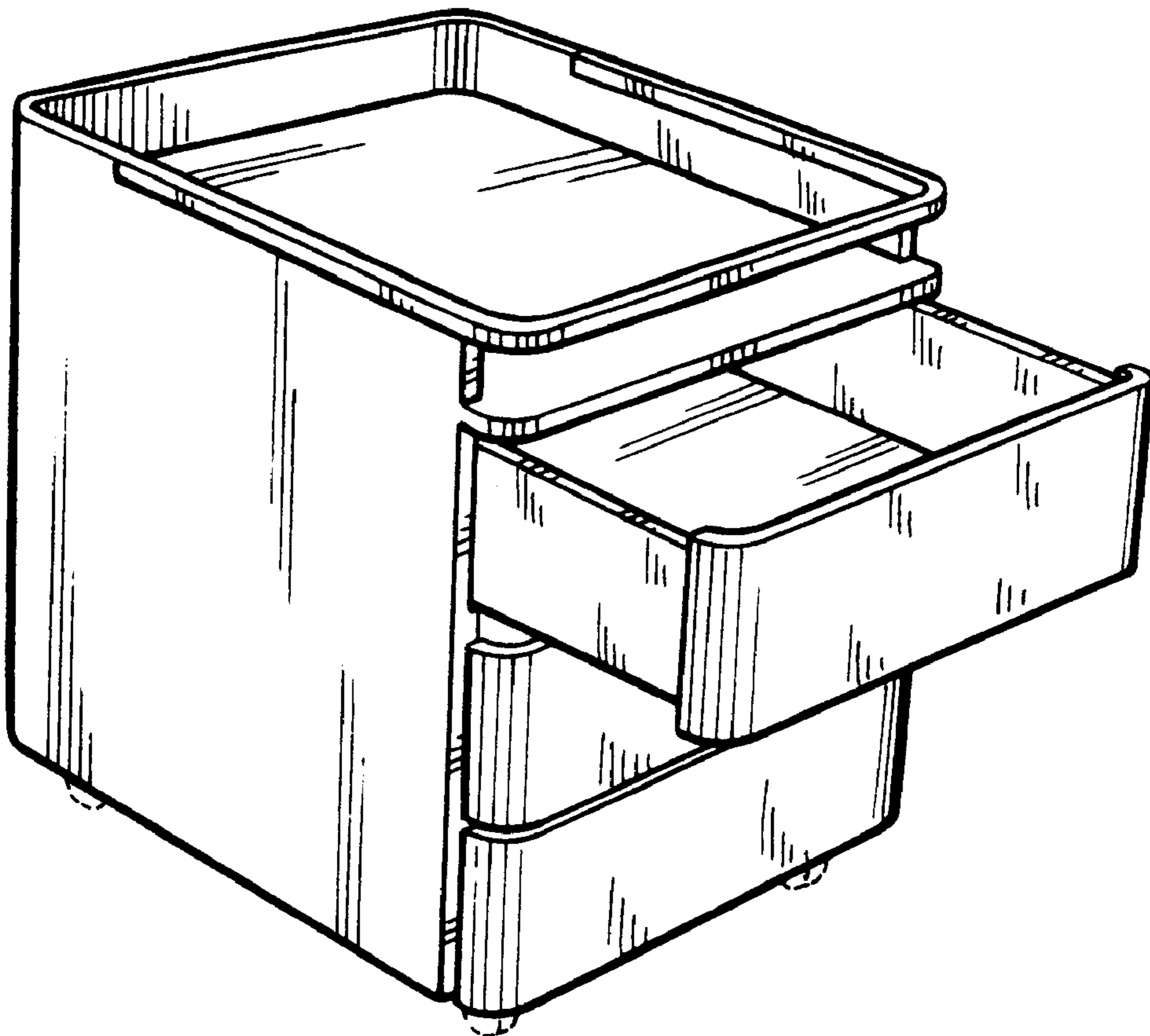
The ornamental design for the “chest of drawers”, as shown and described.

DESCRIPTION

FIG. 1 is a left perspective view of a chest of drawers, showing my design;
 FIG. 2 is a right perspective view thereof;
 FIG. 3 is a front view thereof;
 FIG. 4 is a left side view thereof, the right side being a mirror image thereof;
 FIG. 5 is a top plan view thereof; and,
 FIG. 6 is a perspective view with the handle in a lifted position.

The broken line showing of wheels is for illustrative purposes only and forms no part of the claimed design.

1 Claim, 2 Drawing Sheets



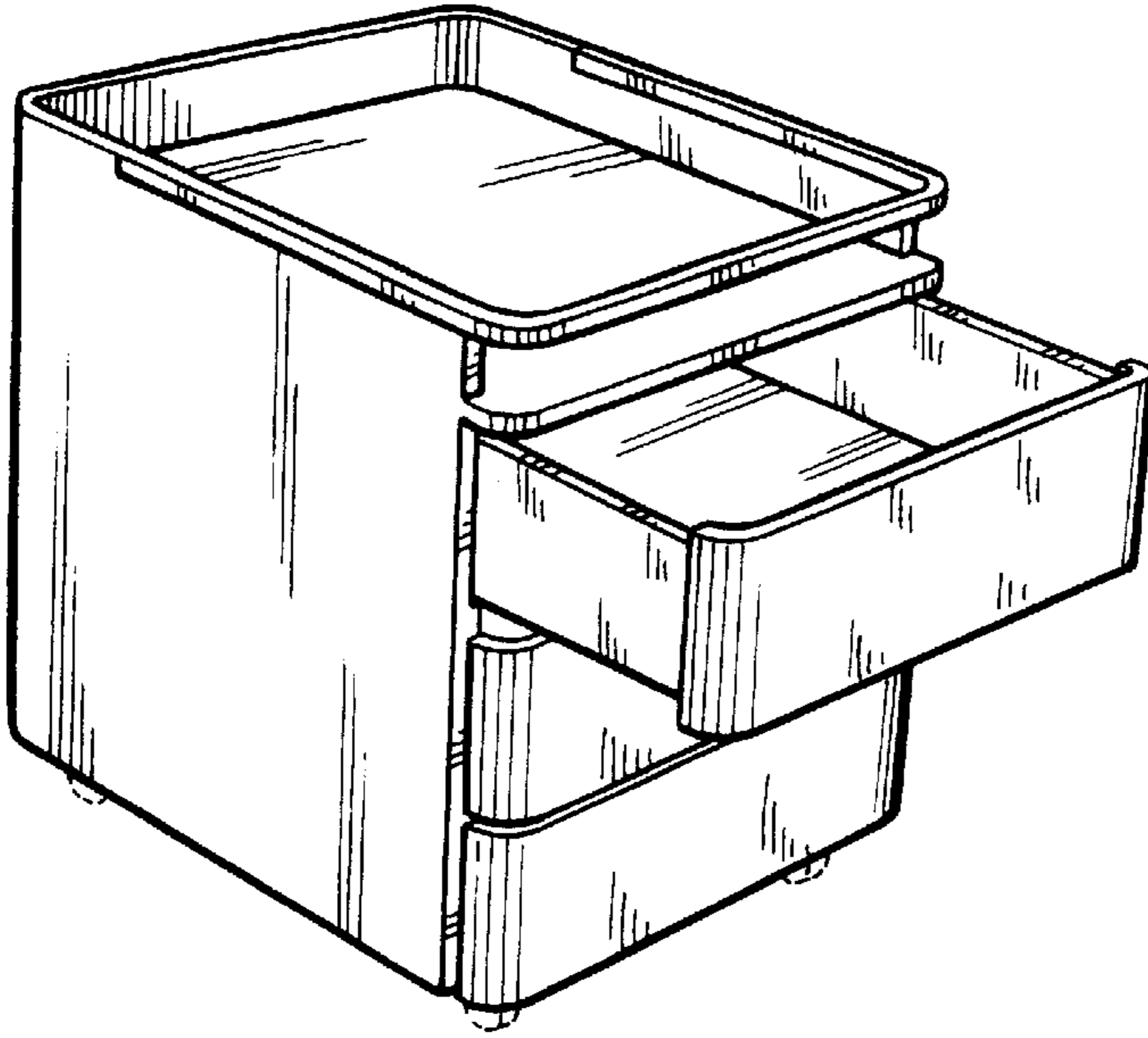


FIG. 1

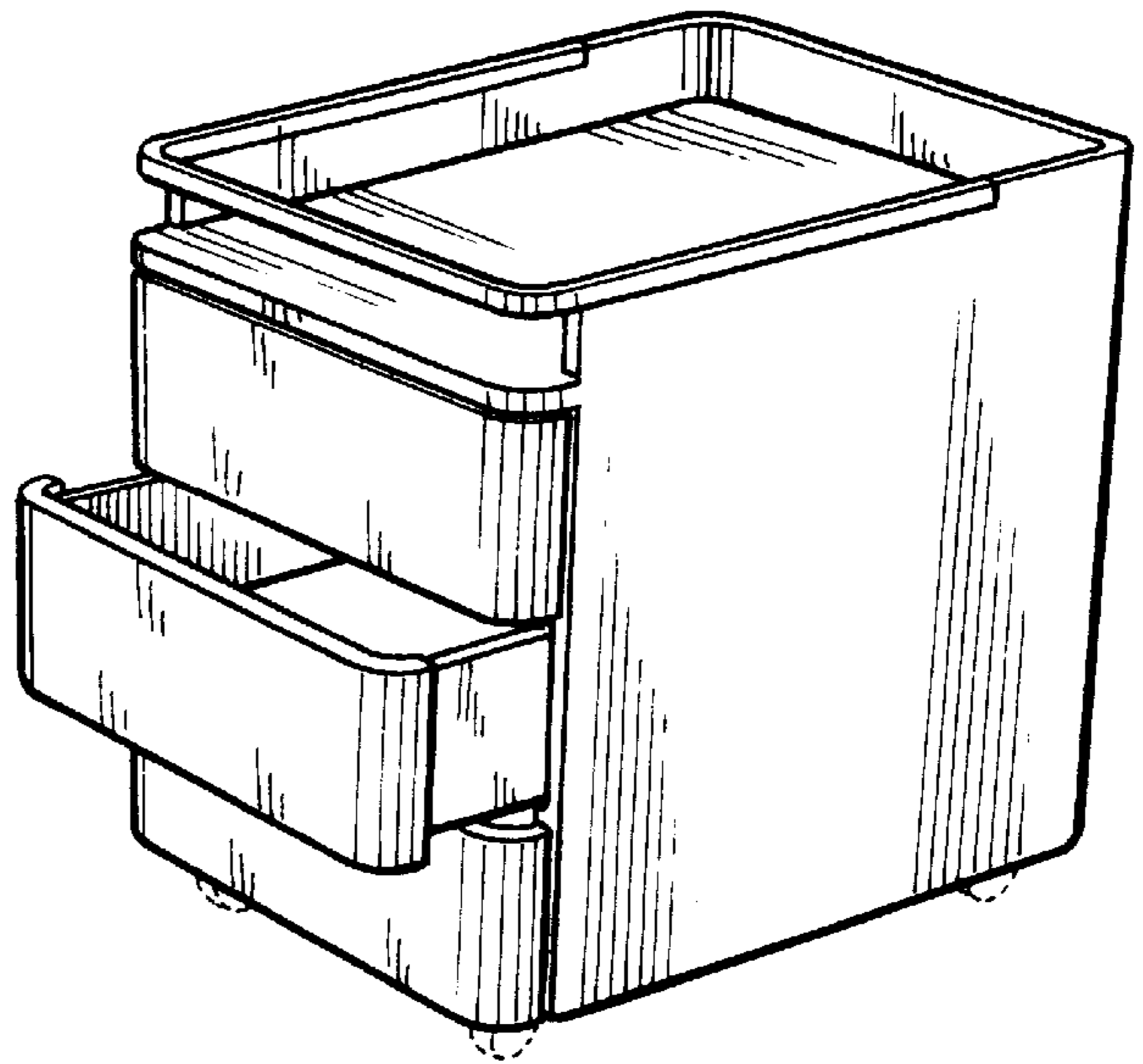


FIG. 2

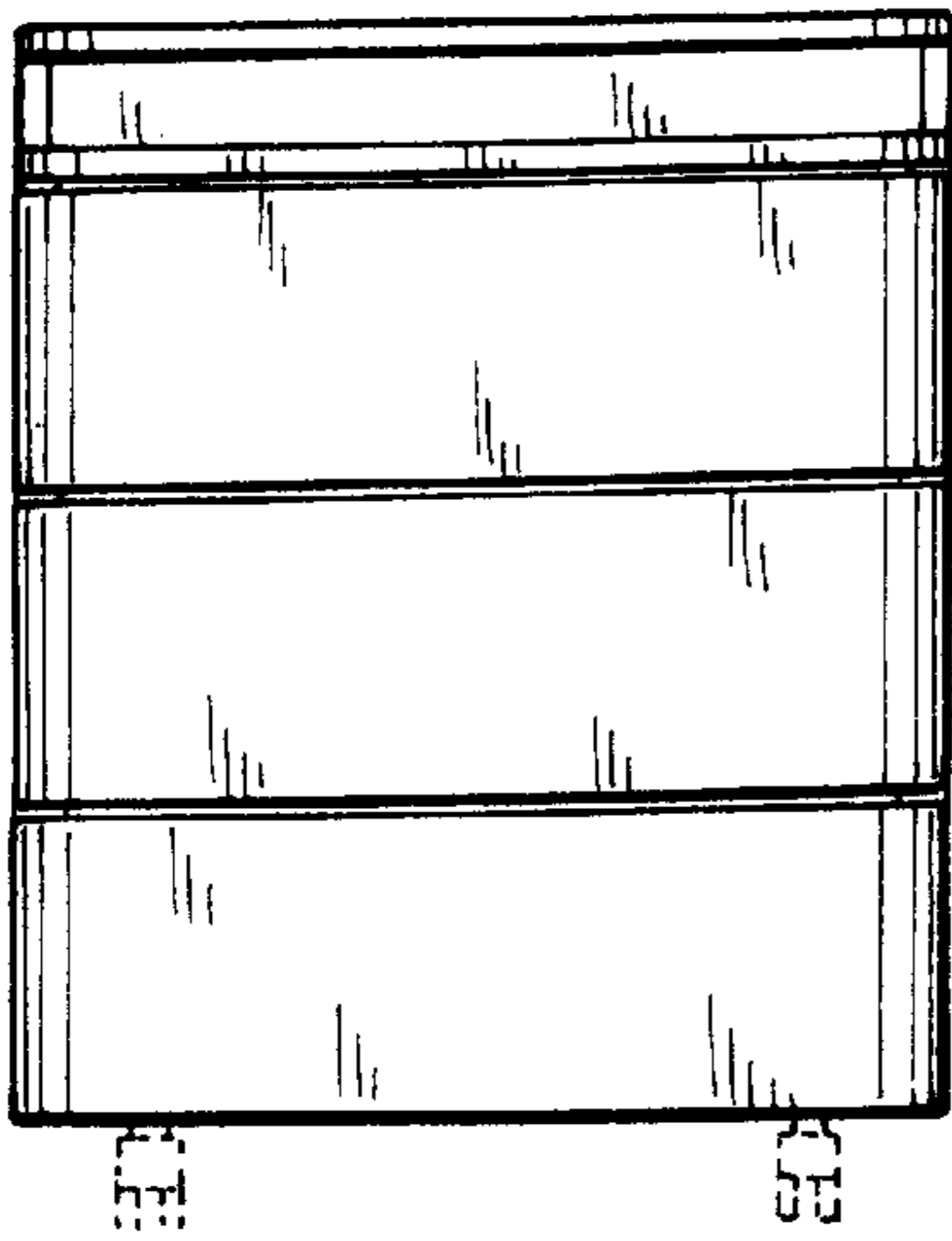


FIG. 3

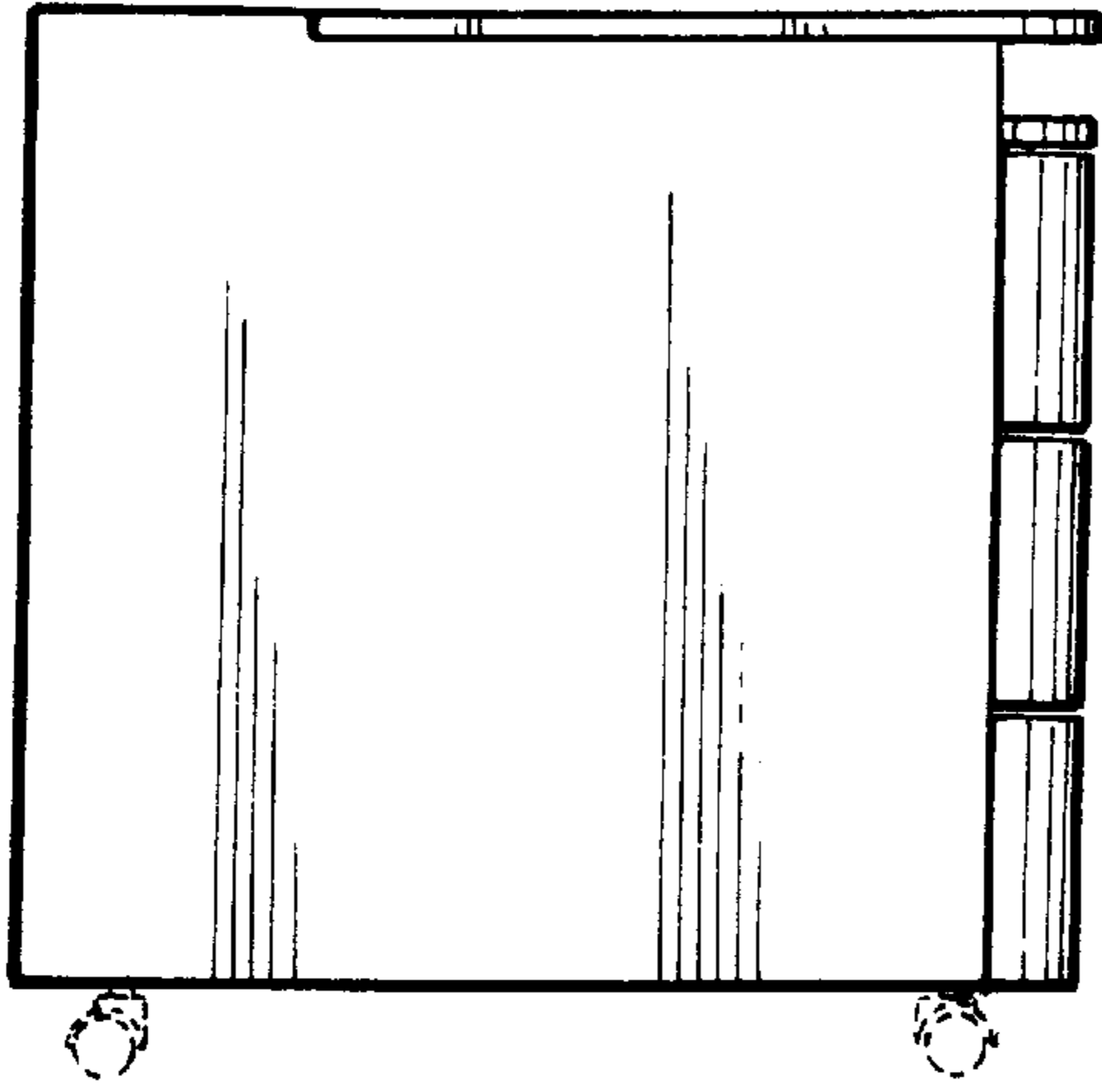


FIG. 4

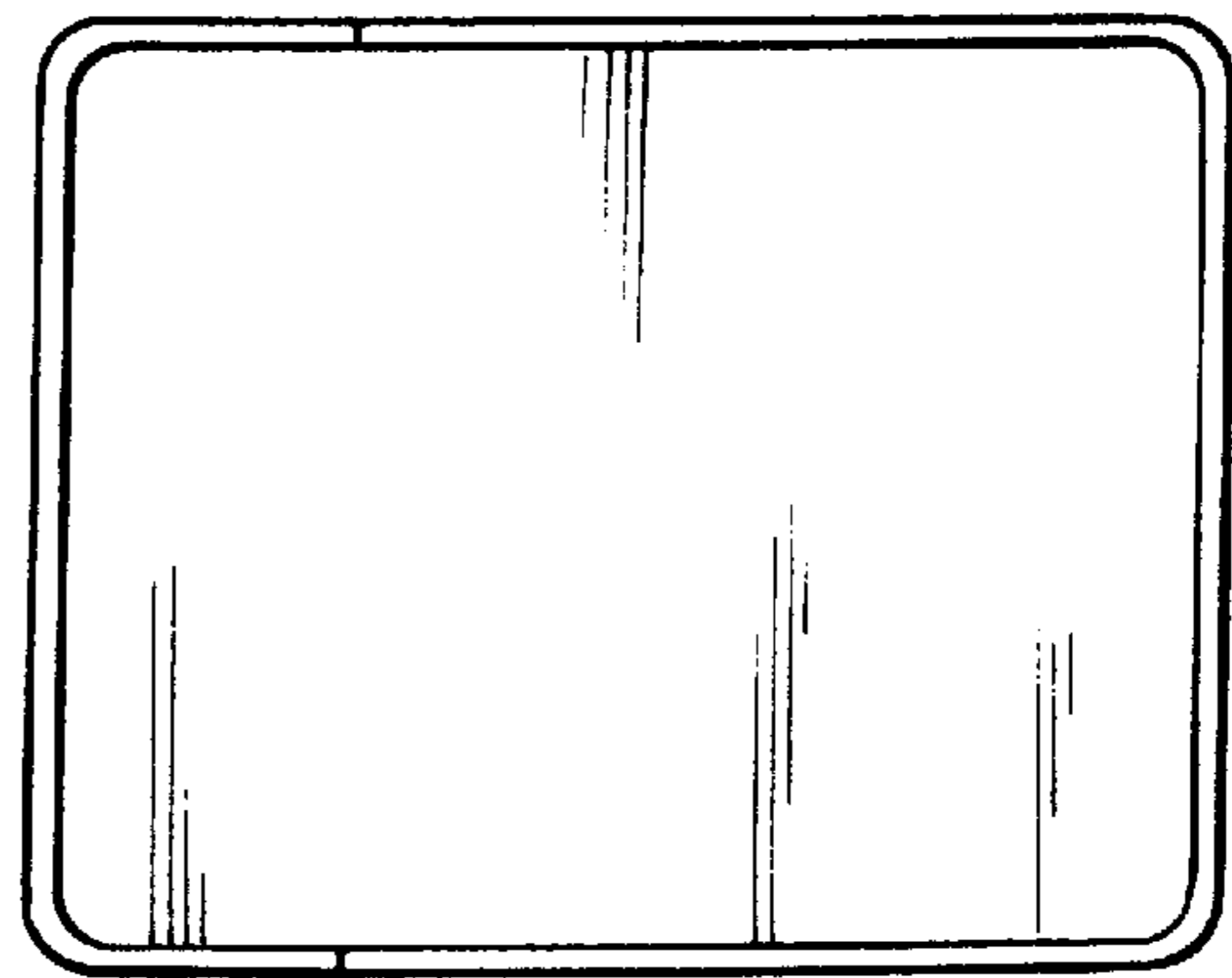


FIG. 5

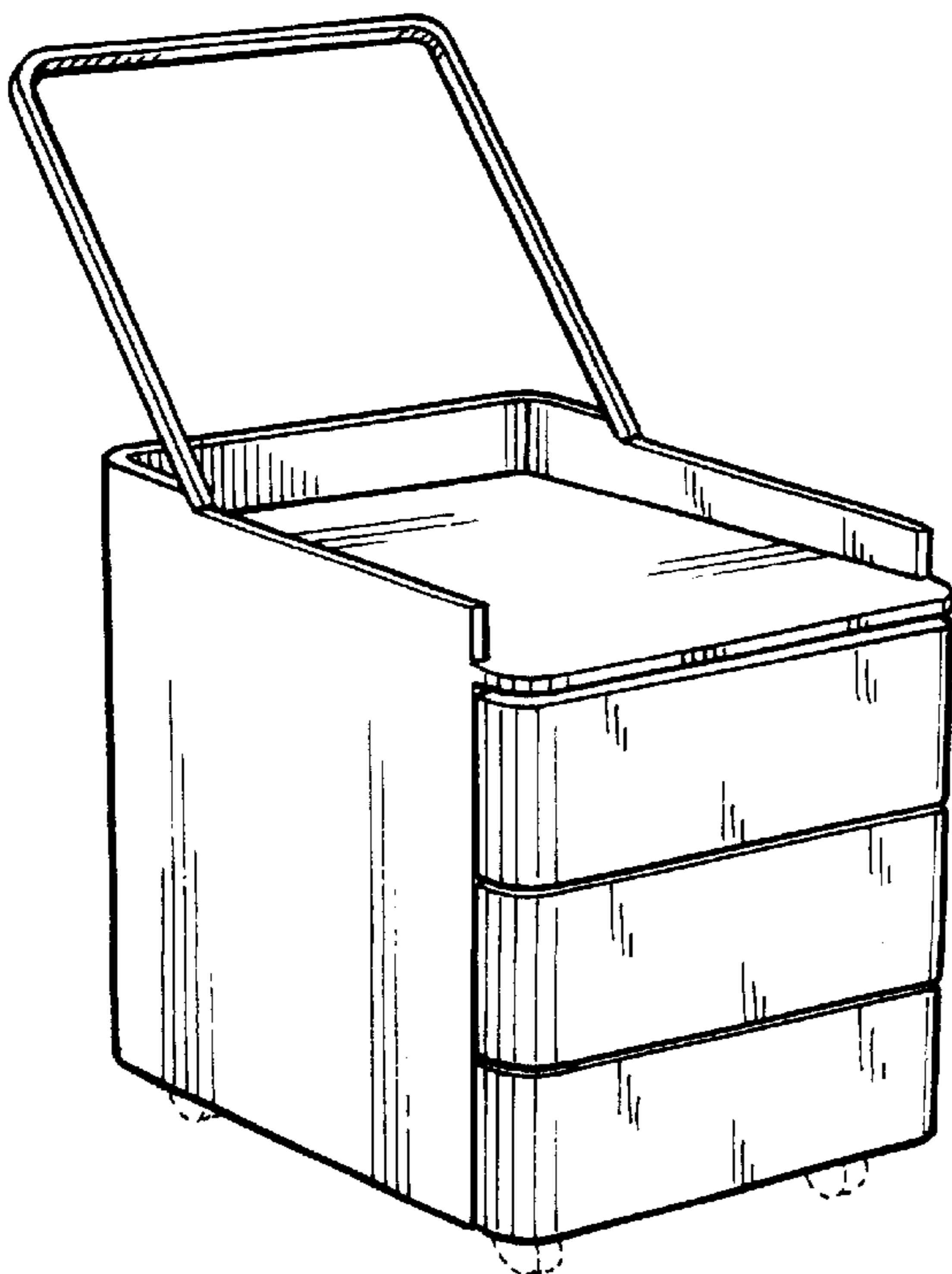


FIG. 6