



US00D436749S

(12) **United States Design Patent**
Arad

(10) **Patent No.:** **US D436,749 S**

(45) **Date of Patent:** **** Jan. 30, 2001**

(54) **CHAIR**

(75) Inventor: **Ron Arad**, London (GB)

(73) Assignee: **Vitra Patente AG**, MuttENZ (CH)

(**) Term: **14 Years**

(21) Appl. No.: **29/076,962**

(22) Filed: **Sep. 23, 1997**

(30) **Foreign Application Priority Data**

Mar. 25, 1997 (XH) DM/039 623

(51) **LOC (7) Cl.** **06-01**

(52) **U.S. Cl.** **D6/374; D6/375; D6/380**

(58) **Field of Search** D6/334, 374, 375,
D6/376, 379, 380, 500, 501, 502; 297/239,
411.4, 411.41, 445.1

(56) **References Cited**

U.S. PATENT DOCUMENTS

- D. 158,508 * 5/1950 Saarinen D6/374
- D. 158,509 * 5/1950 Saarinen D6/375
- D. 158,510 * 5/1950 Saarinen D6/374
- D. 168,212 * 11/1952 Cicchelli D6/379

- D. 191,704 * 11/1961 Stauffer D6/375
- D. 193,338 * 8/1962 Tepper D6/375
- D. 197,712 * 3/1964 Fischer D6/380 X
- D. 207,840 * 6/1967 Rodrigo D6/375
- D. 213,683 * 4/1969 Leistikow D6/374
- D. 251,942 * 5/1979 Von Heck D6/375
- D. 260,334 * 8/1981 Van Hora D6/375
- D. 276,768 * 12/1984 Enthoven D6/379
- D. 351,294 * 10/1994 Fleishman D6/380

* cited by examiner

Primary Examiner—Gary D. Watson

(74) *Attorney, Agent, or Firm*—Selitto & Associates

(57) **CLAIM**

The ornamental design for a chair, as shown.

DESCRIPTION

FIG. 1 is a front perspective view of a chair showing my new design;

FIG. 2 is a front elevational view thereof;

FIG. 3 is a left side elevational view thereof;

FIG. 4 is a right side perspective view thereof;

FIG. 5 is a top plan view thereof; and,

FIG. 6 is a bottom plan view thereof.

1 Claim, 3 Drawing Sheets

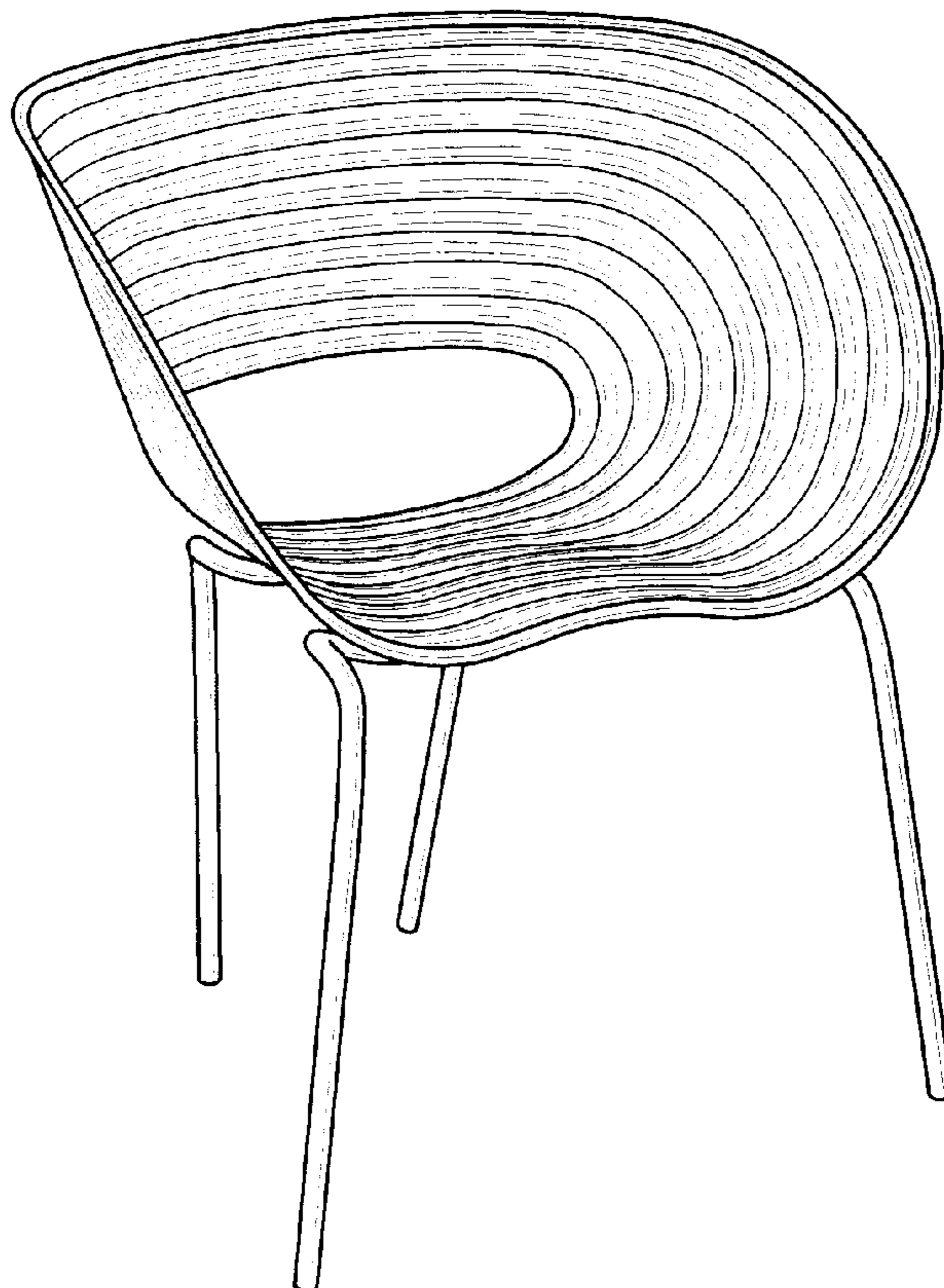


FIG. 1

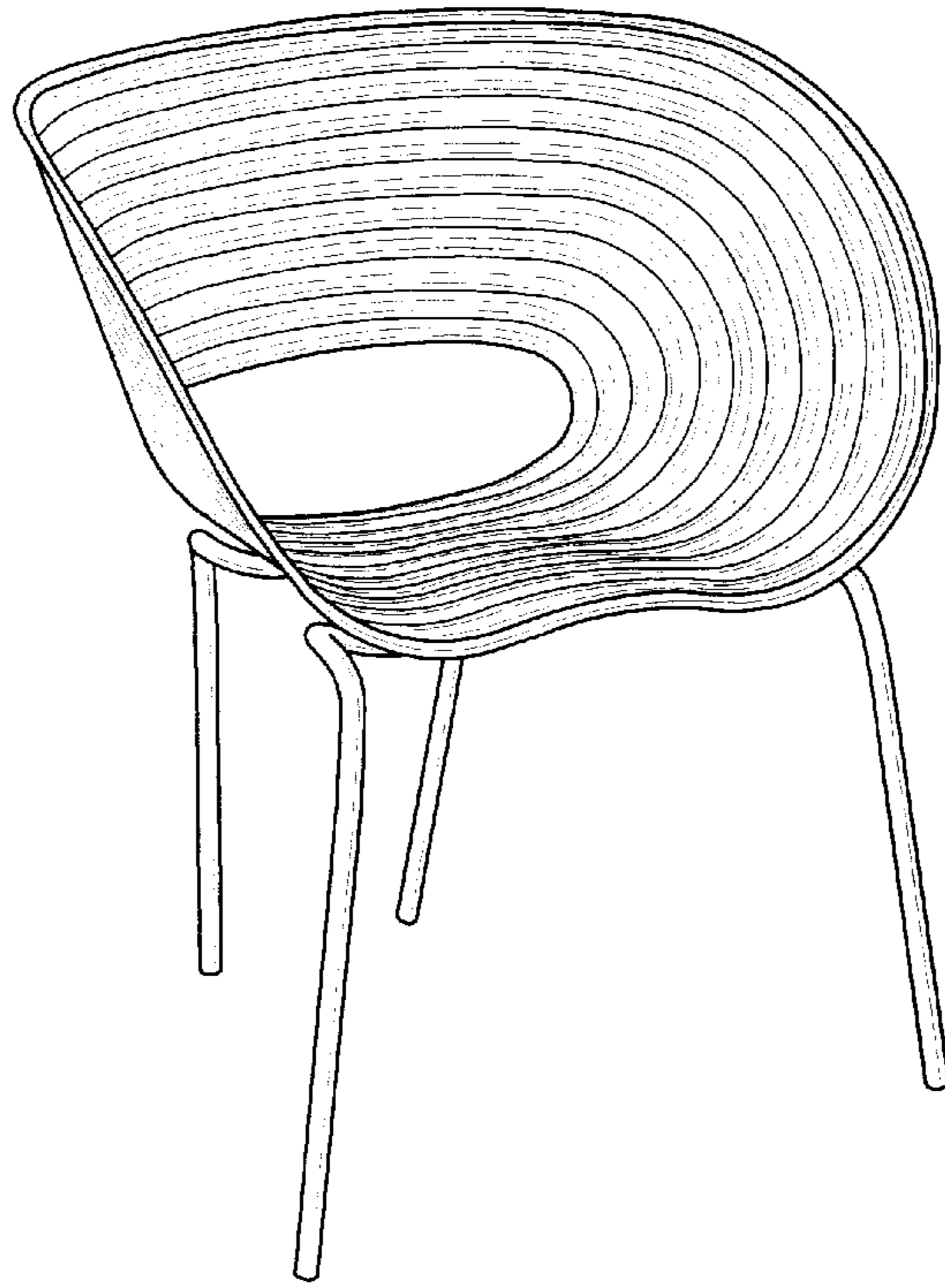


FIG. 2

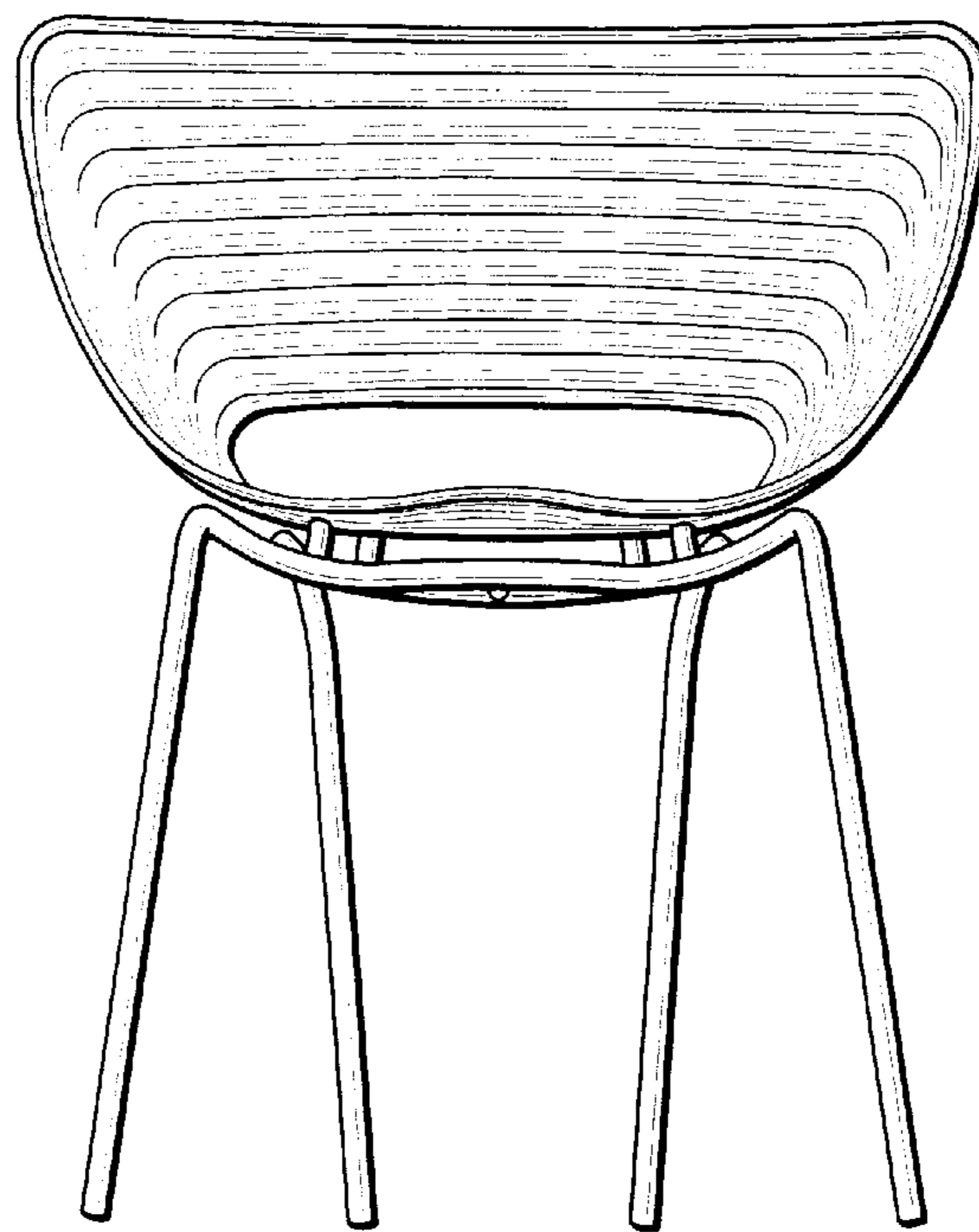


FIG. 3

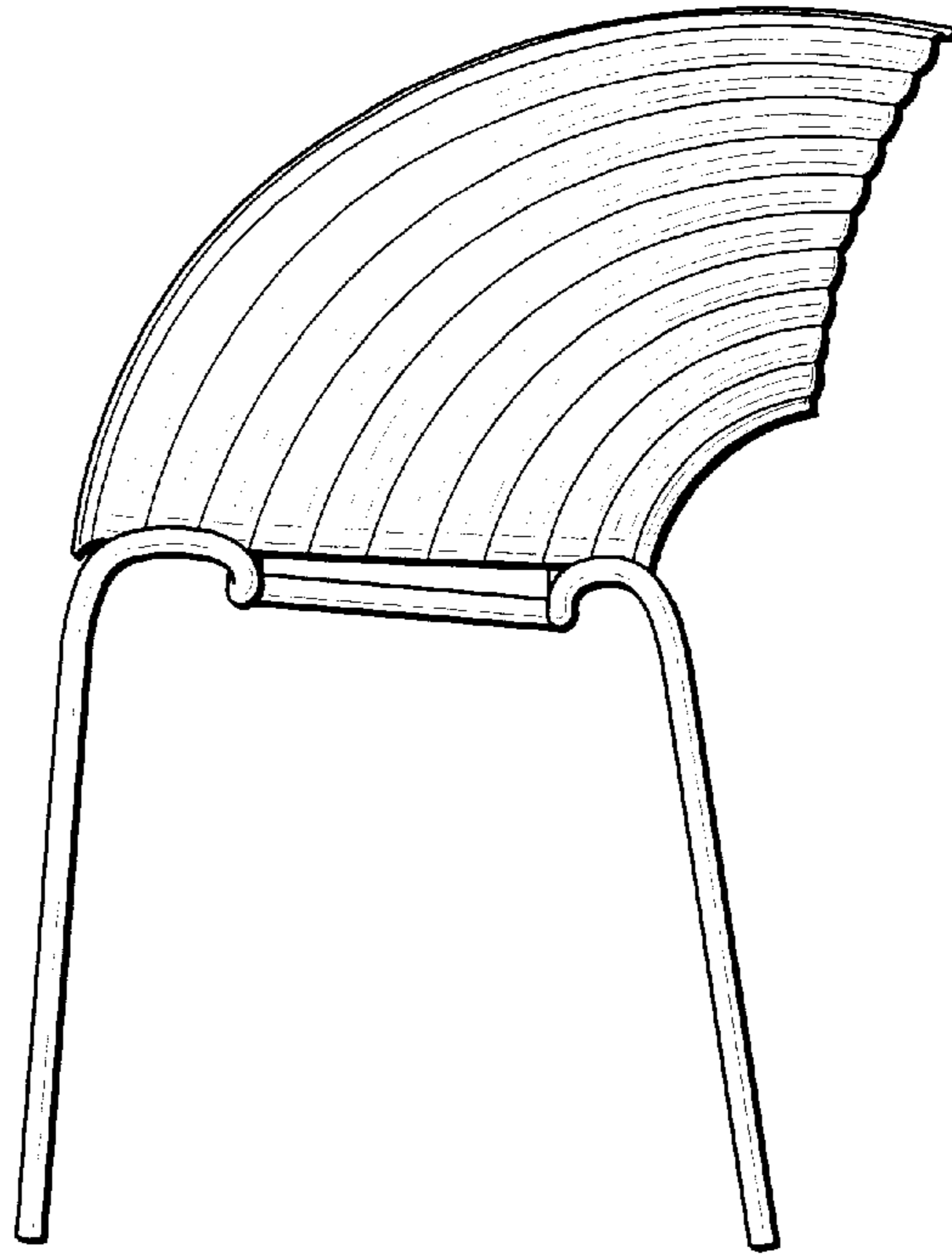


FIG. 4

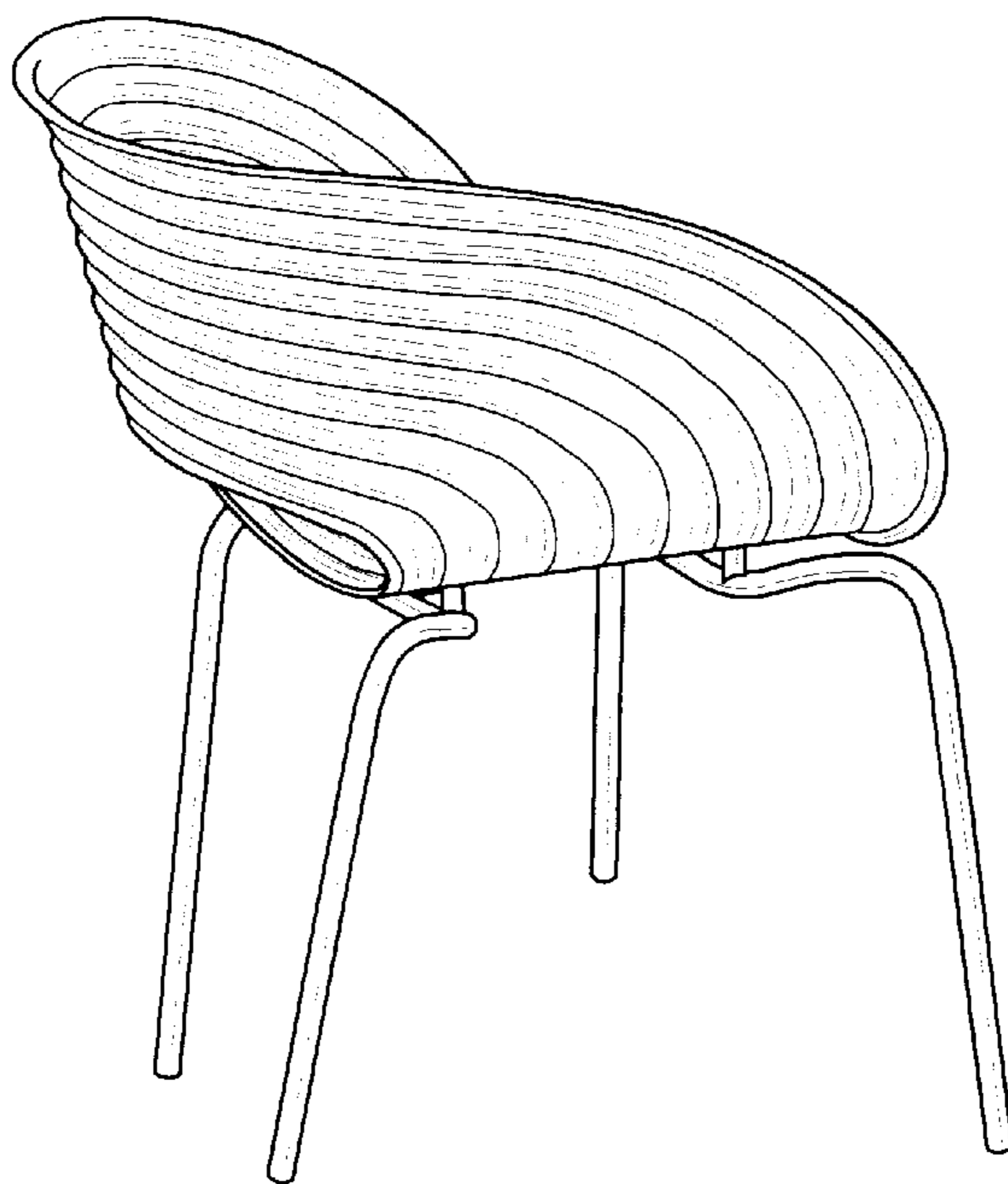


FIG. 5

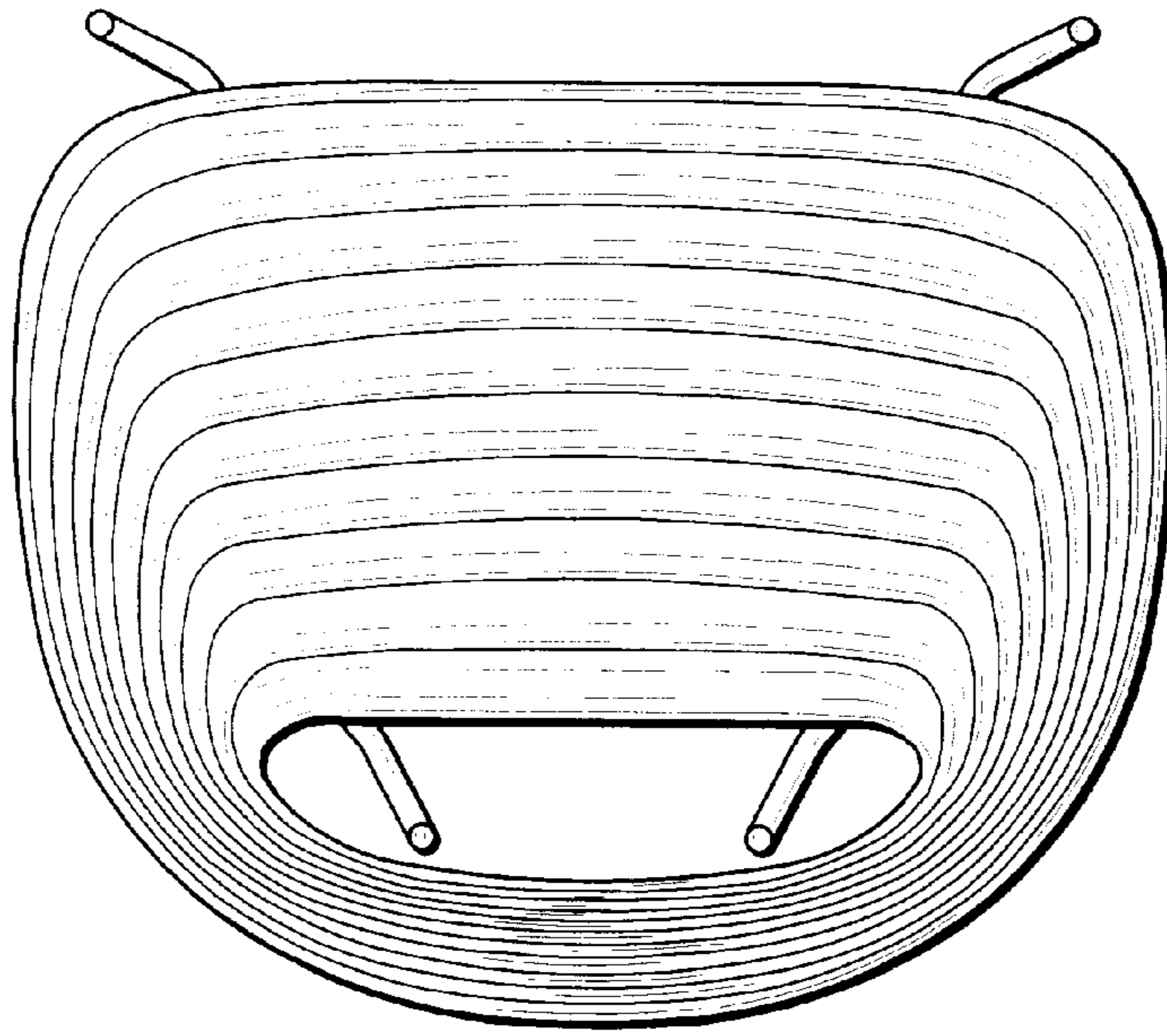


FIG. 6

