



US00D436741S

(12) **United States Design Patent**
Lewis

(10) **Patent No.:** **US D436,741 S**

(45) **Date of Patent:** **** Jan. 30, 2001**

(54) **SET OF SURFACE PATTERNS FOR A TAPESTRY FOR A CHAIR**

5,067,771 * 11/1991 Ellis D6/500

* cited by examiner

(76) **Inventor:** **Sally Sirkin Lewis**, 715 Canon Dr., Beverly Hills, CA (US) 90210

Primary Examiner—Robert M. Spear
(74) *Attorney, Agent, or Firm*—Finnegan, Henderson, Farabow, Garrett & Dunner, L.L.P.

(**) **Term:** **14 Years**

(57) **CLAIM**

(21) **Appl. No.:** **29/111,761**

The ornamental design for a set of surface patterns for a tapestry for a chair, as shown and described.

(22) **Filed:** **Oct. 5, 1999**

DESCRIPTION

(51) **LOC (7) Cl.** **06-12**

(52) **U.S. Cl.** **D5/62; D5/99**

(58) **Field of Search** D5/20, 35, 55, D5/60, 61, 62, 99; 428/187, 542.2, 542.6, 904.4; D6/334, 379, 380, 500, 501, 502, 611

FIG. 1 is a front side perspective view of a set of surface patterns for a tapestry for a chair, showing my new design embodied in a chair;

FIG. 2 is a rear, side perspective view thereof;

FIG. 3 is a front view thereof;

FIG. 4 is a top plan view thereof;

FIG. 5 is a left side elevational view thereof;

FIG. 6 is a right side elevational view thereof;

FIG. 7 is a back view thereof;

FIG. 8 is a front side perspective view of a set of surface patterns for a tapestry for a chair, showing my new design embodied in an alternate style of chair; and,

FIG. 9 is a rear, side perspective view thereof.

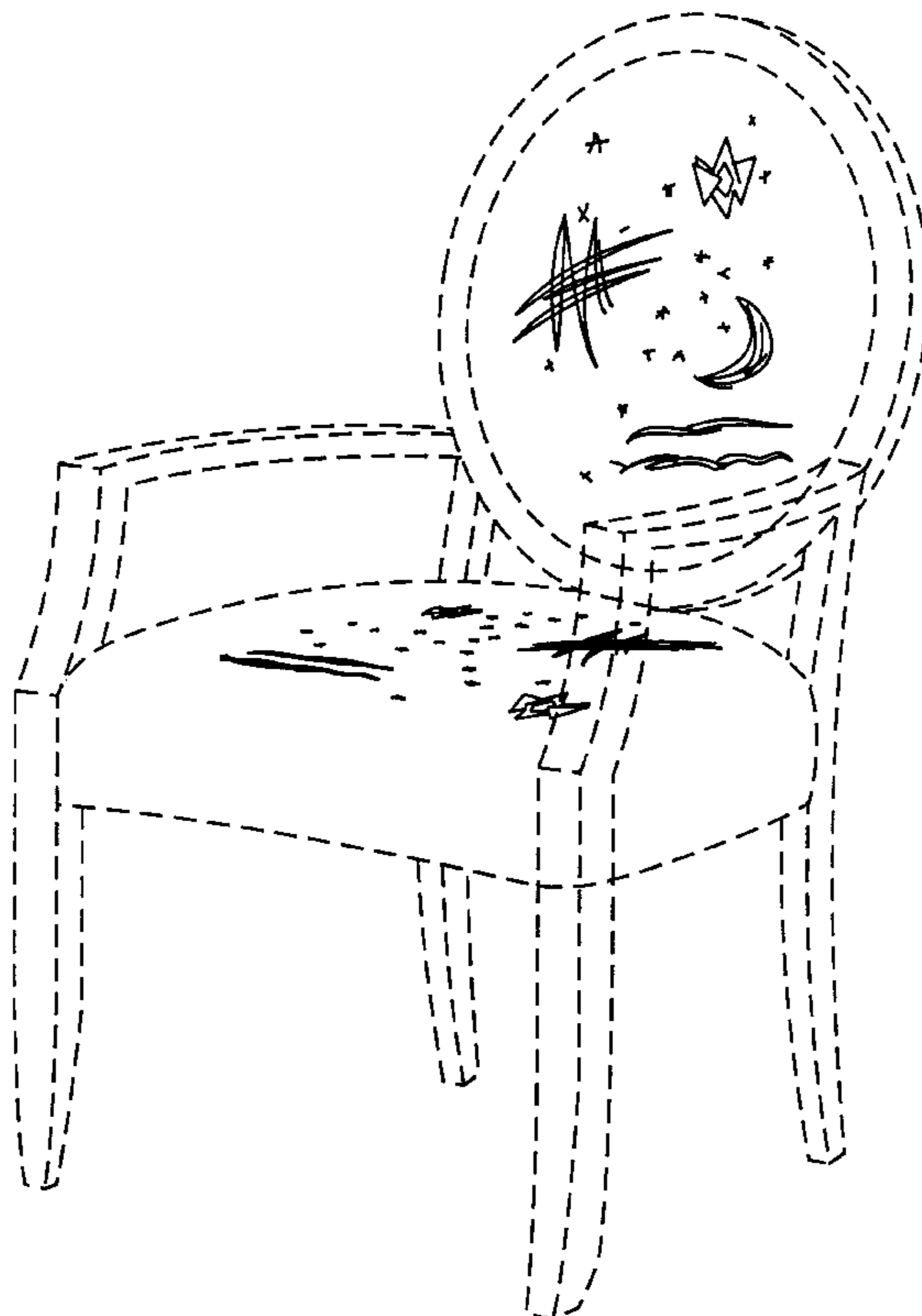
In the drawings, the broken lines adjacent to each pattern define the boundaries of the claimed patterns as well as the tapestry to which the patterns are applied; the broken line showings of a chair are for illustrative purposes only. The broken lines form no part of the claimed design.

(56) **References Cited**

U.S. PATENT DOCUMENTS

D. 68,724	*	11/1925	Marwede	D5/62
D. 88,196	*	11/1932	Willheim	D5/62
D. 88,693	*	12/1932	Villani	D5/62
D. 88,826	*	12/1932	Roberson	D5/62
D. 89,357	*	2/1933	Rubinger	D5/62
D. 96,016	*	6/1935	Bruine	D5/62
D. 100,433	*	7/1936	Martin	D5/62
D. 105,961	*	9/1937	Mallinson	D5/62
D. 168,703	*	1/1953	Odzer	D5/62
D. 283,973	*	5/1986	Hougaard	D5/62
D. 342,629	*	12/1993	Tseng	D6/370
D. 373,253	*	9/1996	Maple	D6/370

1 Claim, 9 Drawing Sheets



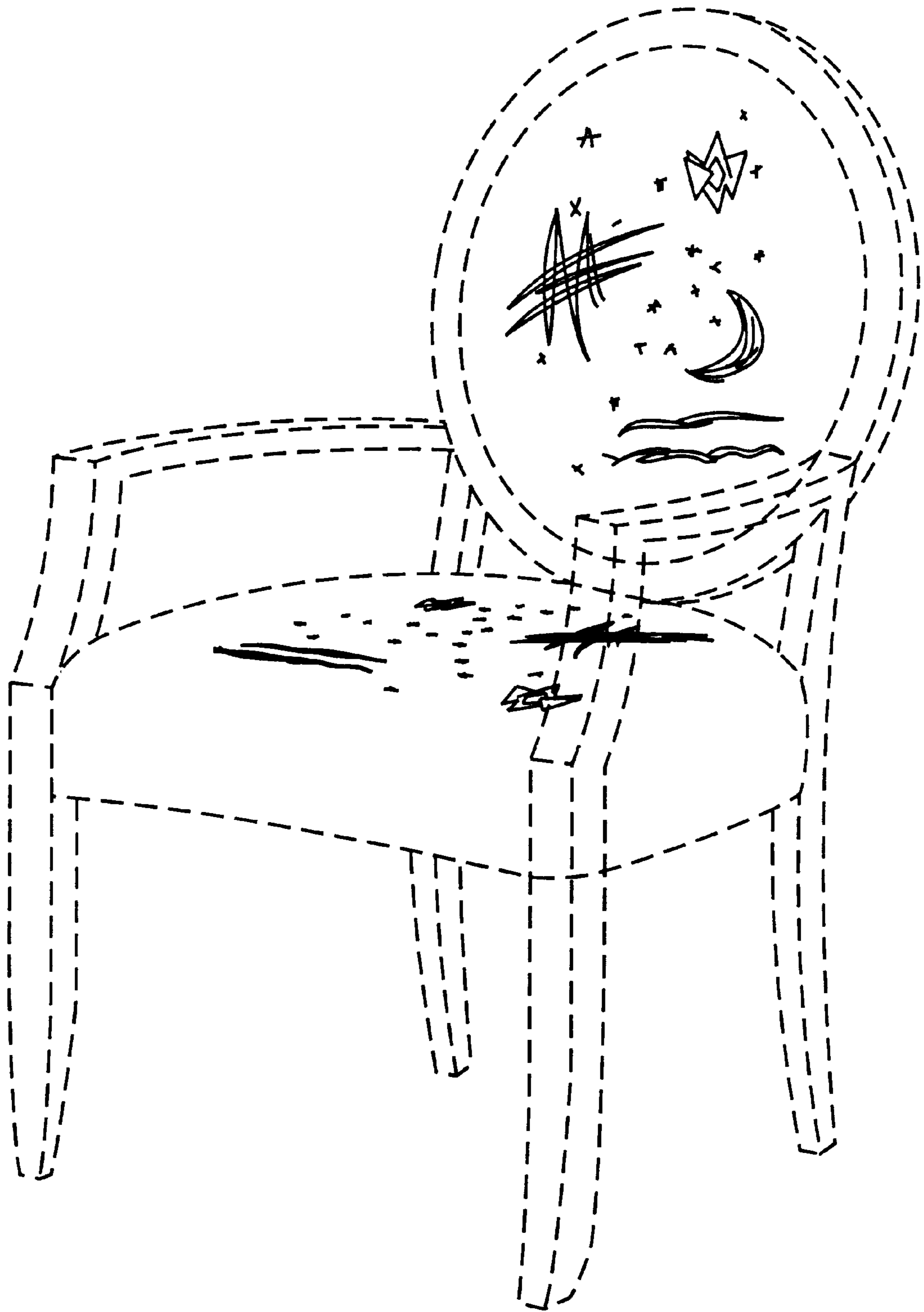


FIG. 1

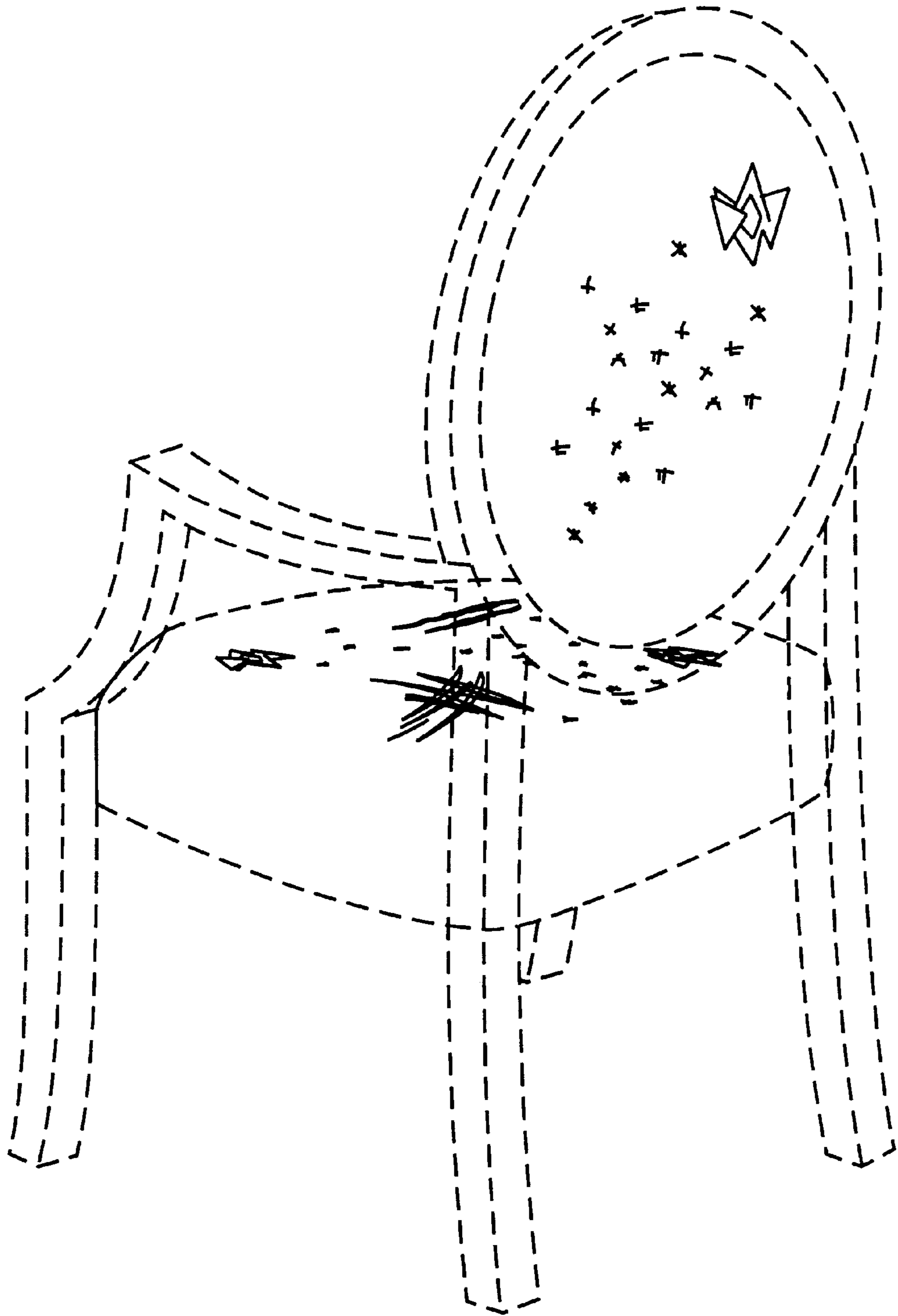


FIG. 2

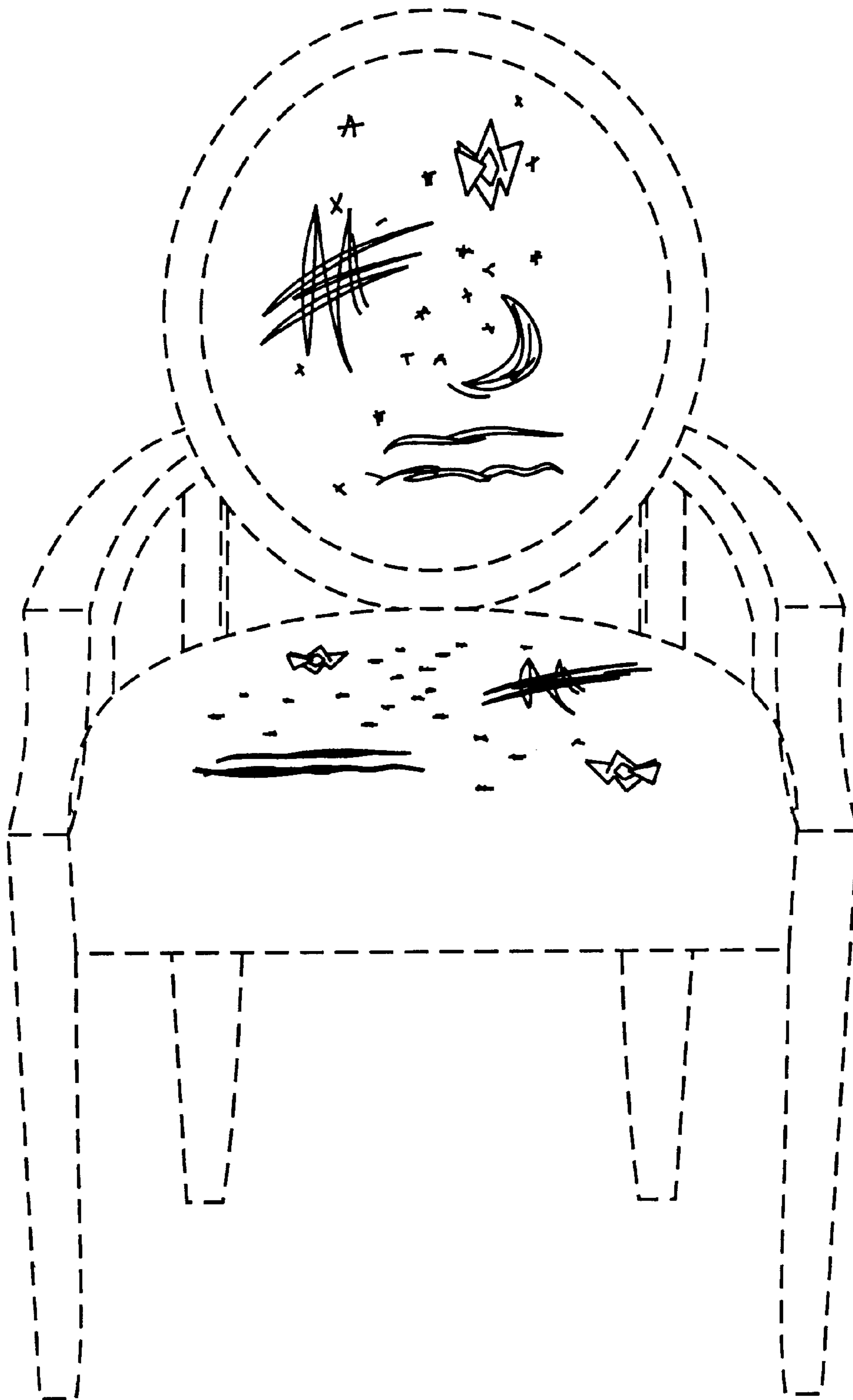


FIG. 3

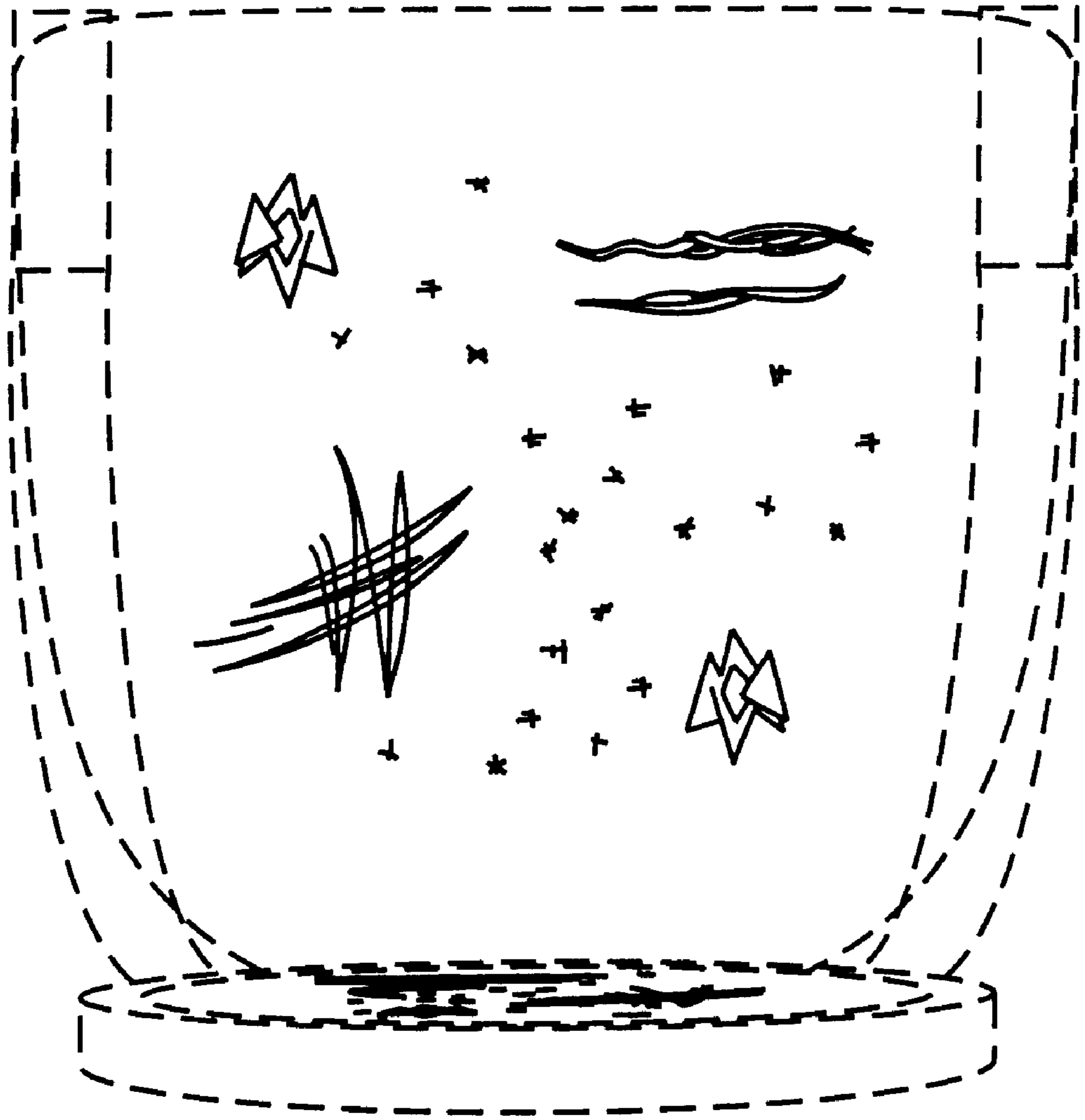


FIG. 4

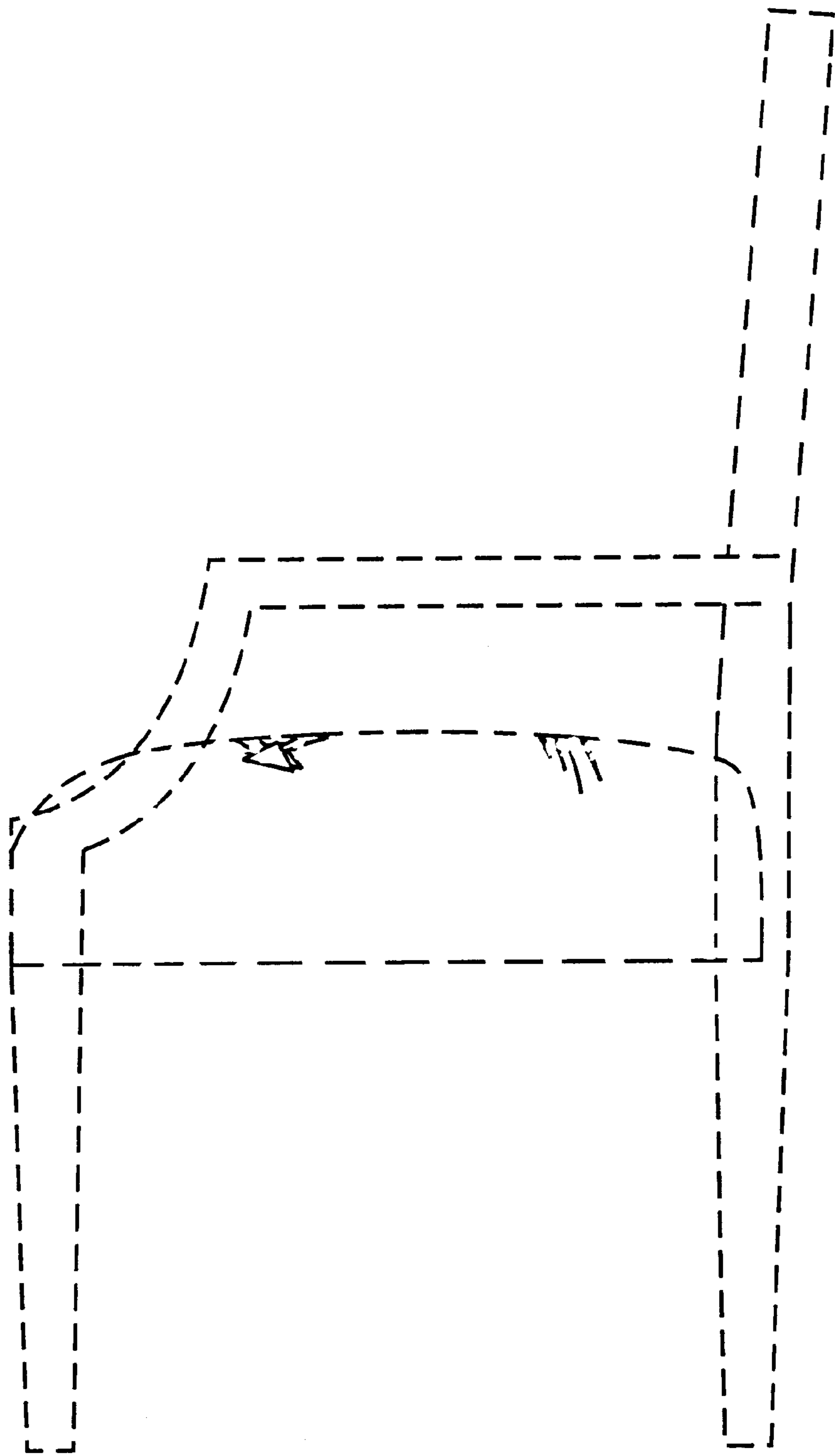


FIG. 5

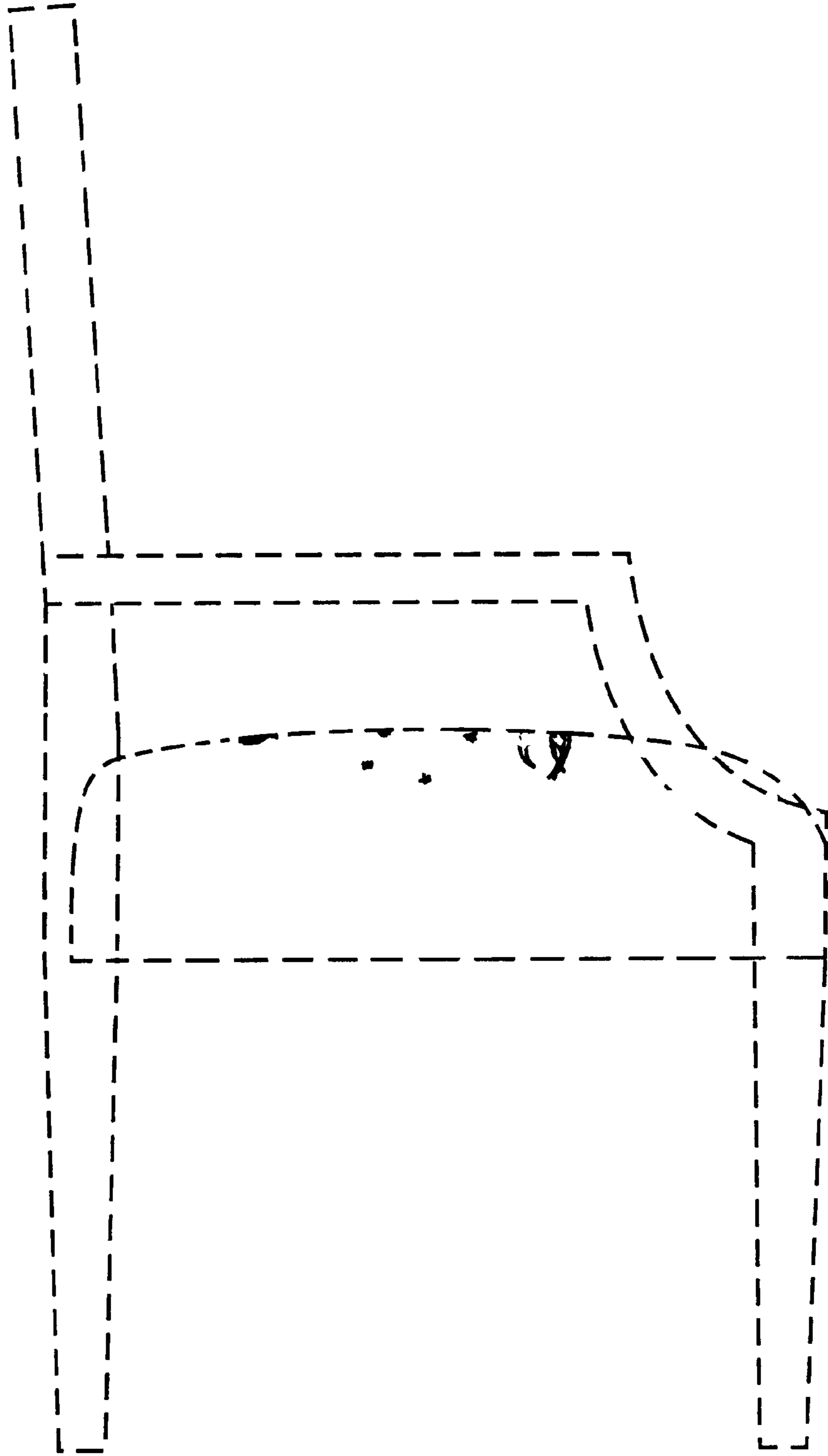


FIG. 6

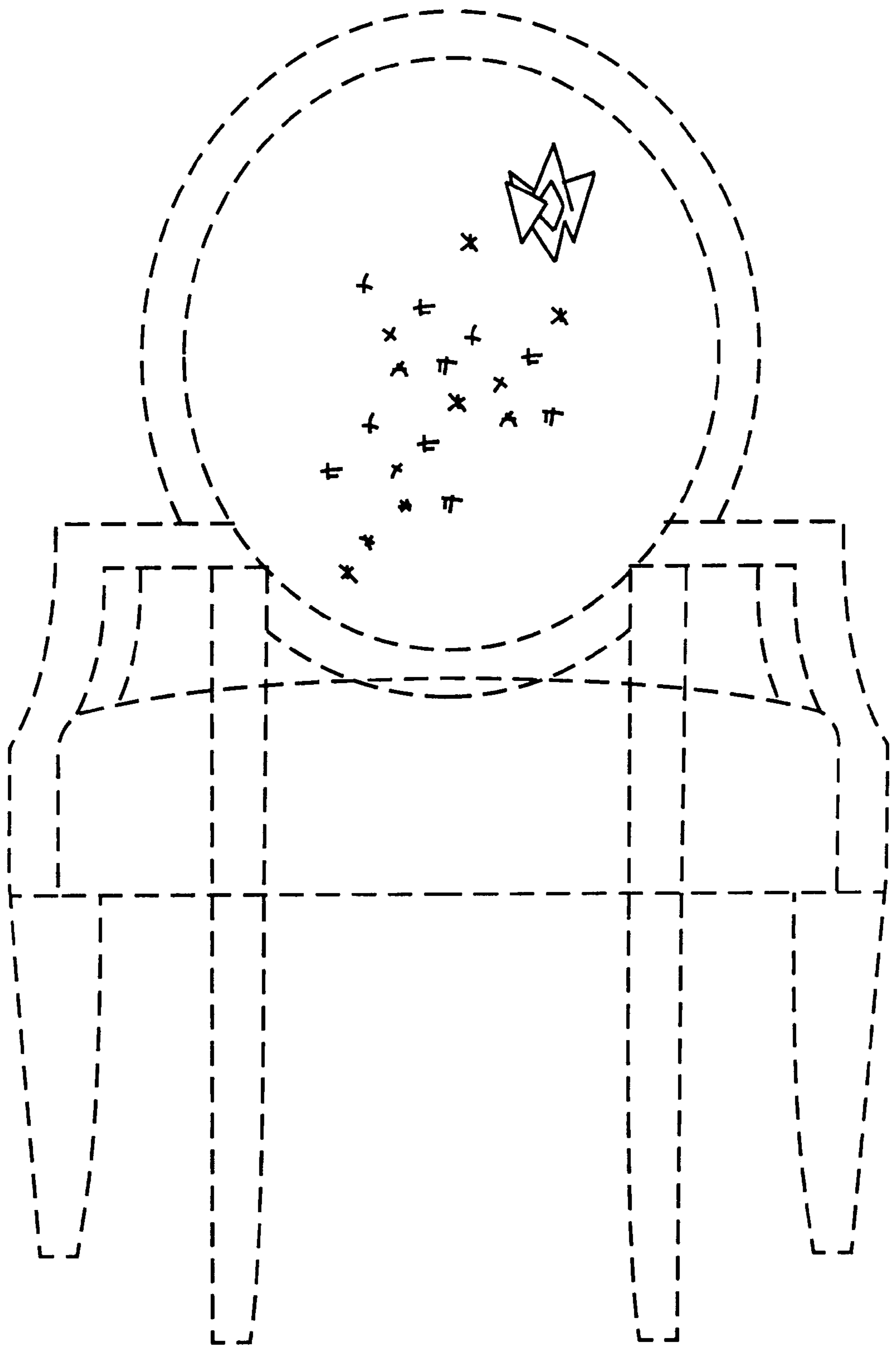


FIG. 7

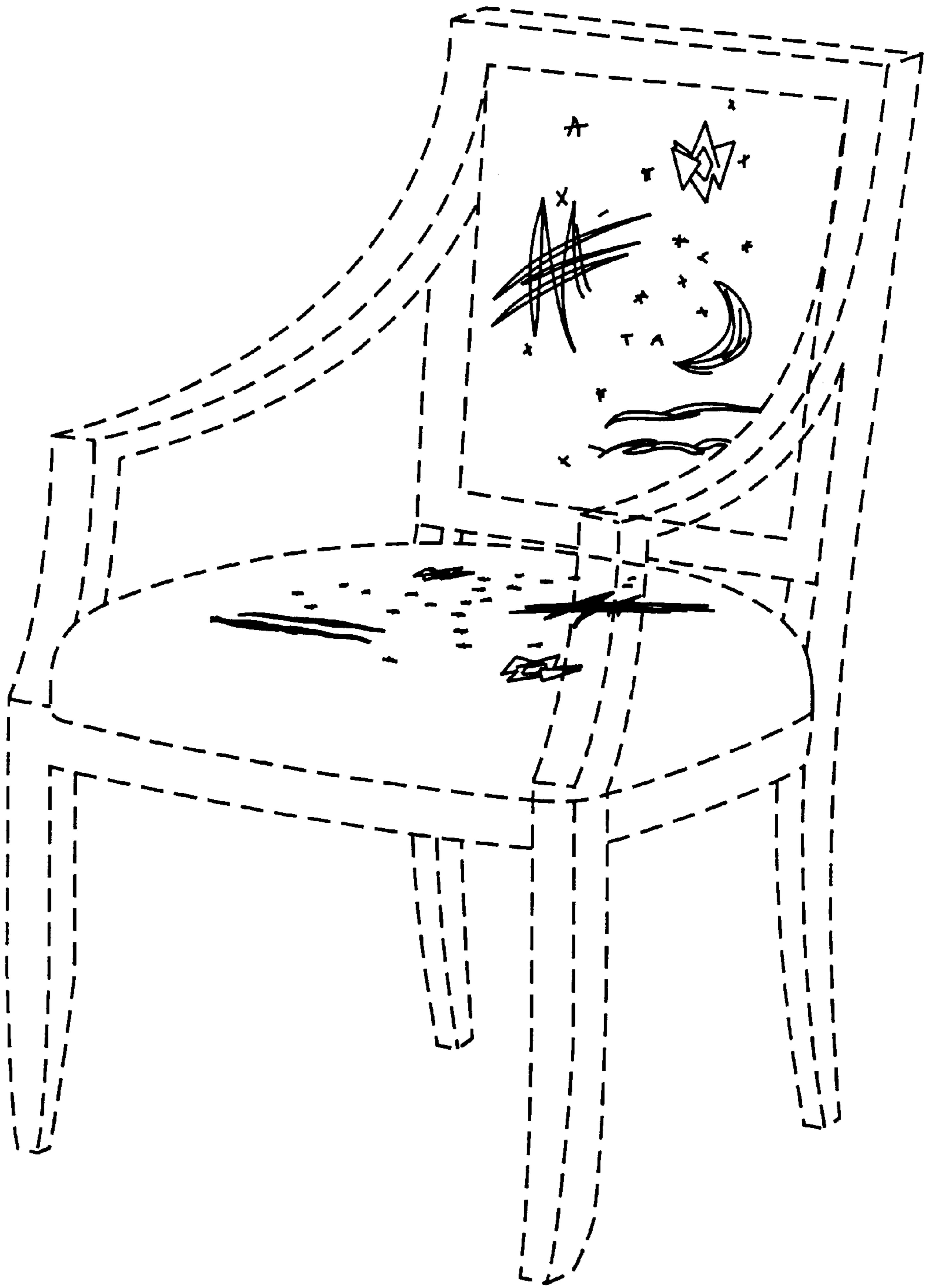


FIG. 8

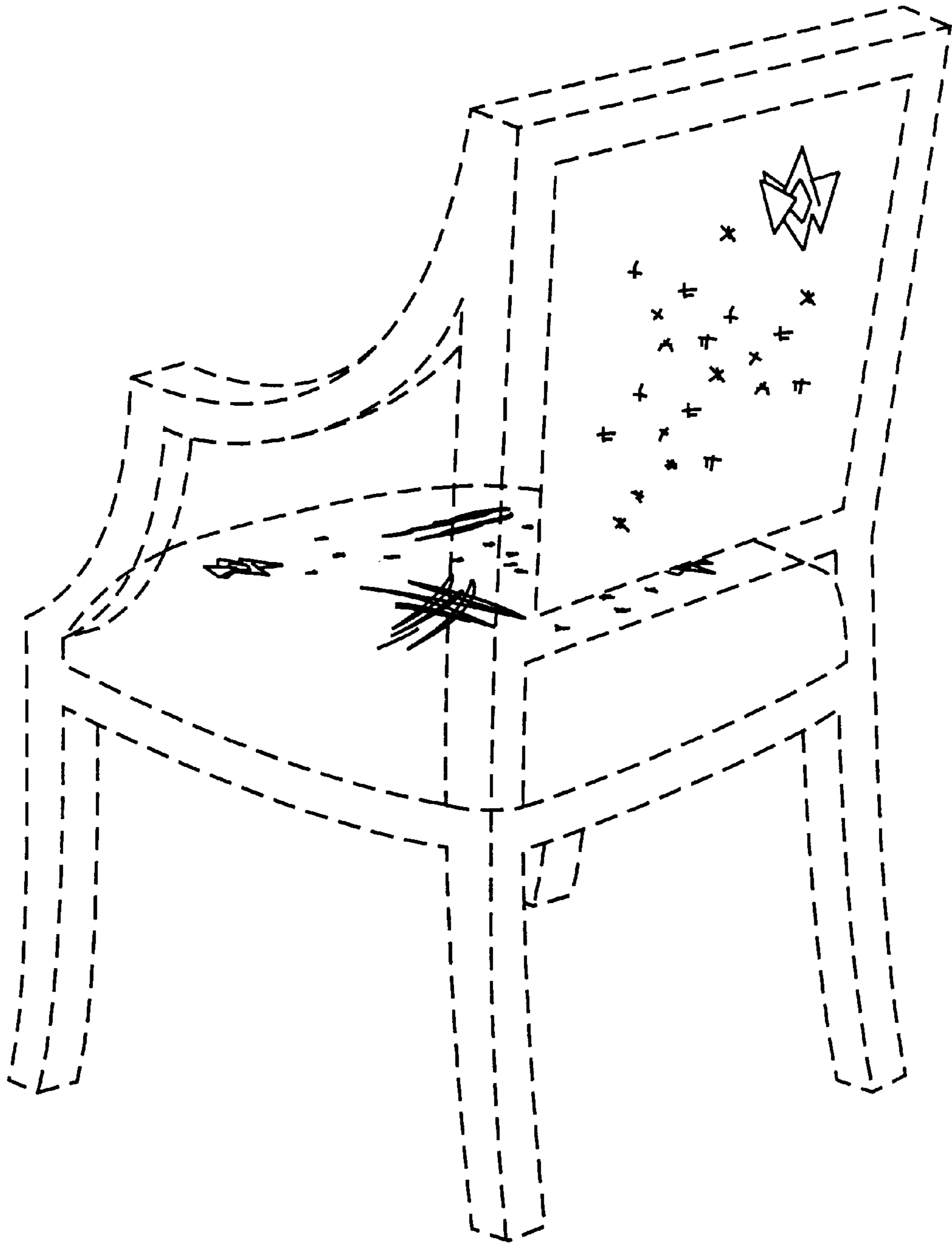


FIG. 9