



US00D436733S

(12) **United States Design Patent**
Klein

(10) **Patent No.:** **US D436,733 S**

(45) **Date of Patent:** **** Jan. 30, 2001**

(54) **BRISTLED HEAD FOR A TOOTHBRUSH**

(75) **Inventor:** **Horace C. Klein, Skillman, NJ (US)**

(73) **Assignee:** **McNeil-PPC, Inc., Skillman, NJ (US)**

(*) **Notice:** This patent is subject to a terminal disclaimer.

(**) **Term:** **14 Years**

(21) **Appl. No.:** **29/106,915**

(22) **Filed:** **Jun. 23, 1999**

(51) **LOC (7) Cl.** **04-02**

(52) **U.S. Cl.** **D4/104**

(58) **Field of Search** D4/104-112, 130,
D4/132, 134; 15/159.1, 167.1, 167.2, 186,
187, 207.2, DIG. 5; 601/139, 141

(56) **References Cited**

U.S. PATENT DOCUMENTS

- D. 301,397 * 6/1989 Lacher D4/104
- D. 368,803 * 4/1996 Yost et al. D4/104
- D. 372,584 * 8/1996 Yost et al. D4/104

- D. 374,775 * 10/1996 Yost et al. D4/104
- 4,672,706 6/1987 Hill 15/167.1
- 5,201,092 * 4/1993 Colson 15/167.1
- 5,305,492 * 4/1994 Giuliani et al. 15/167.1 X
- 5,419,001 * 5/1995 Wan 15/167.1

* cited by examiner

Primary Examiner—Alan P. Douglas

Assistant Examiner—Lavone Tabor

(57) **CLAIM**

The ornamental design for a bristled head for a toothbrush, as shown and described.

DESCRIPTION

FIG. 1 is a perspective view showing the bristled head of my new design;
 FIG. 2 is a top plan view thereof;
 FIG. 3 is a side elevational view thereof, the opposite side being a mirror image;
 FIG. 4 is a bottom plan view thereof;
 FIG. 5 is a front elevational view thereof; and,
 FIG. 6 is a rear elevational view thereof.

1 Claim, 3 Drawing Sheets

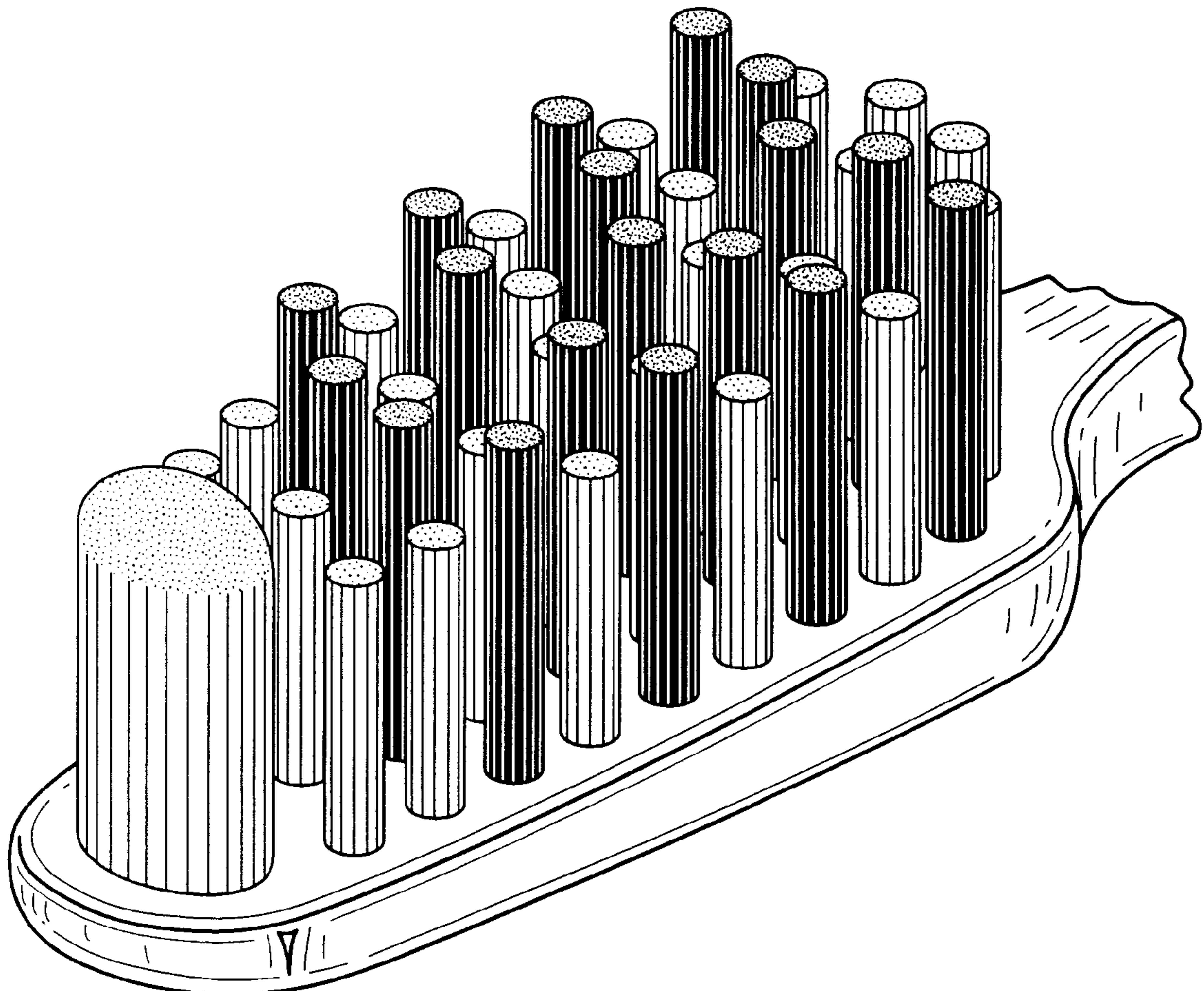


FIG. 1

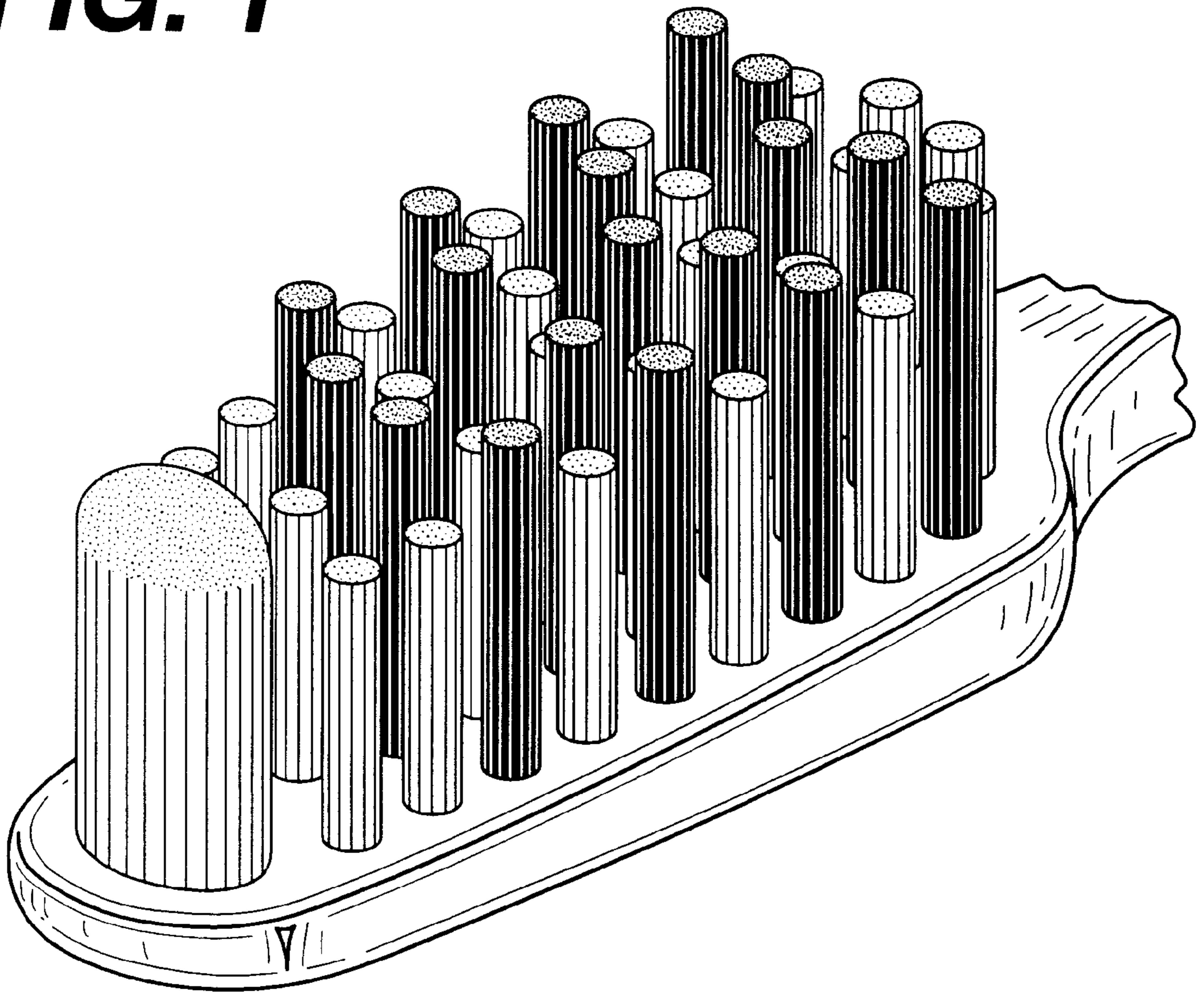


FIG. 2

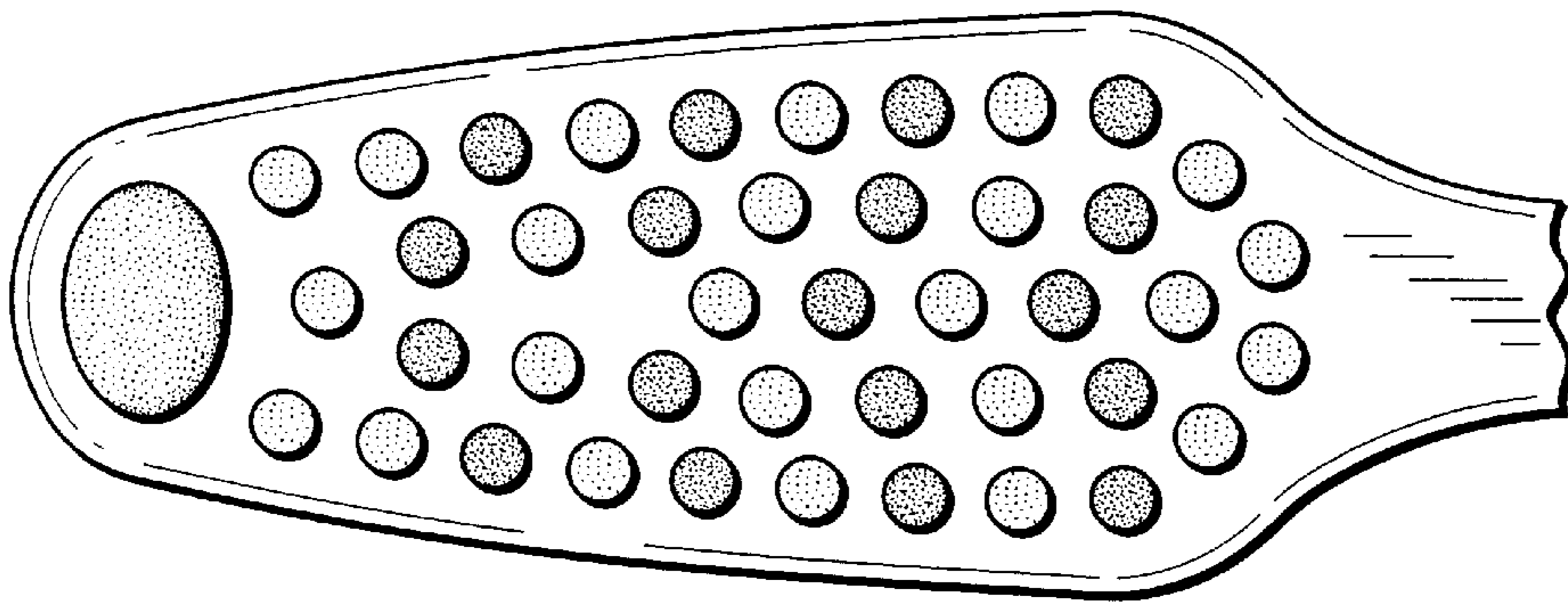


FIG. 3

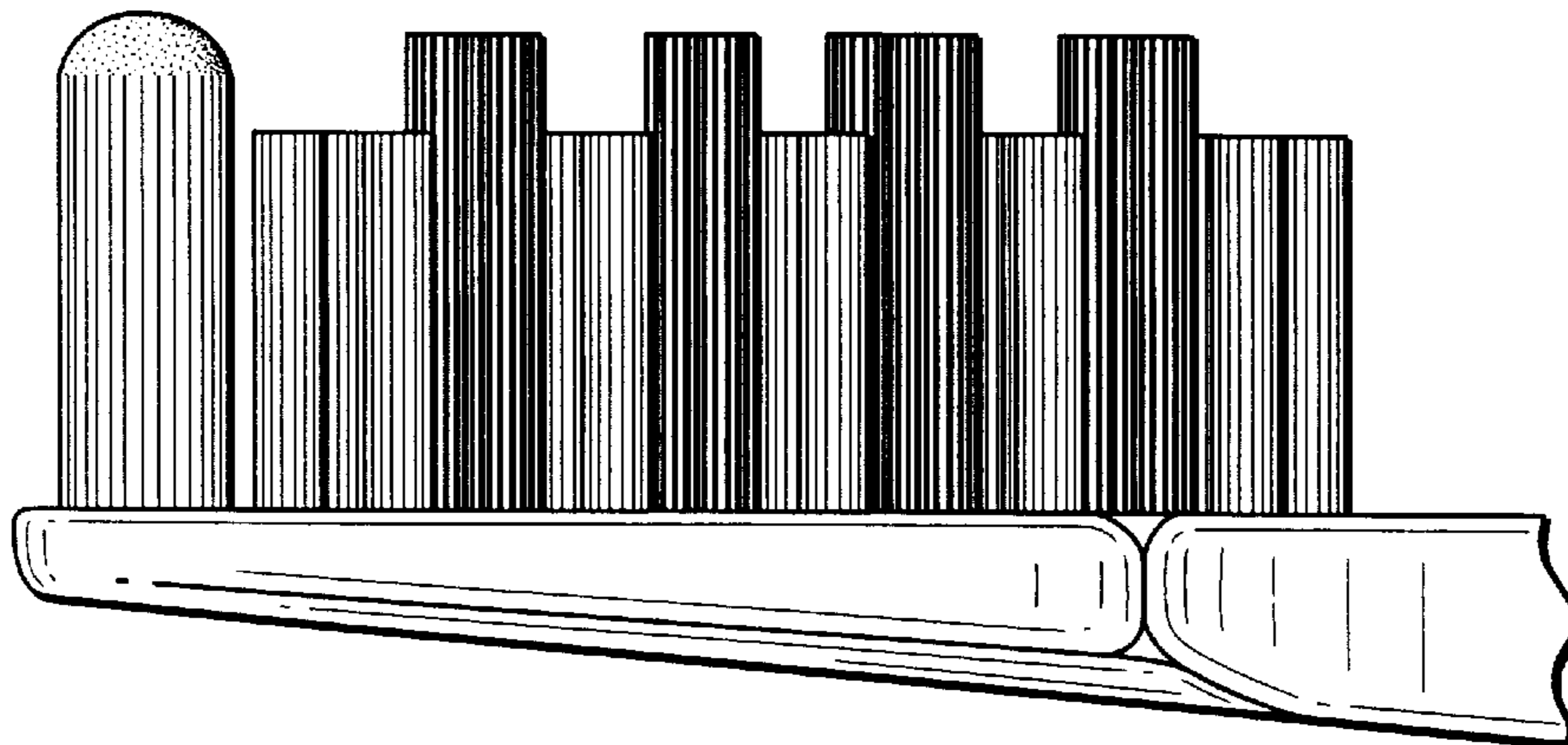


FIG. 4

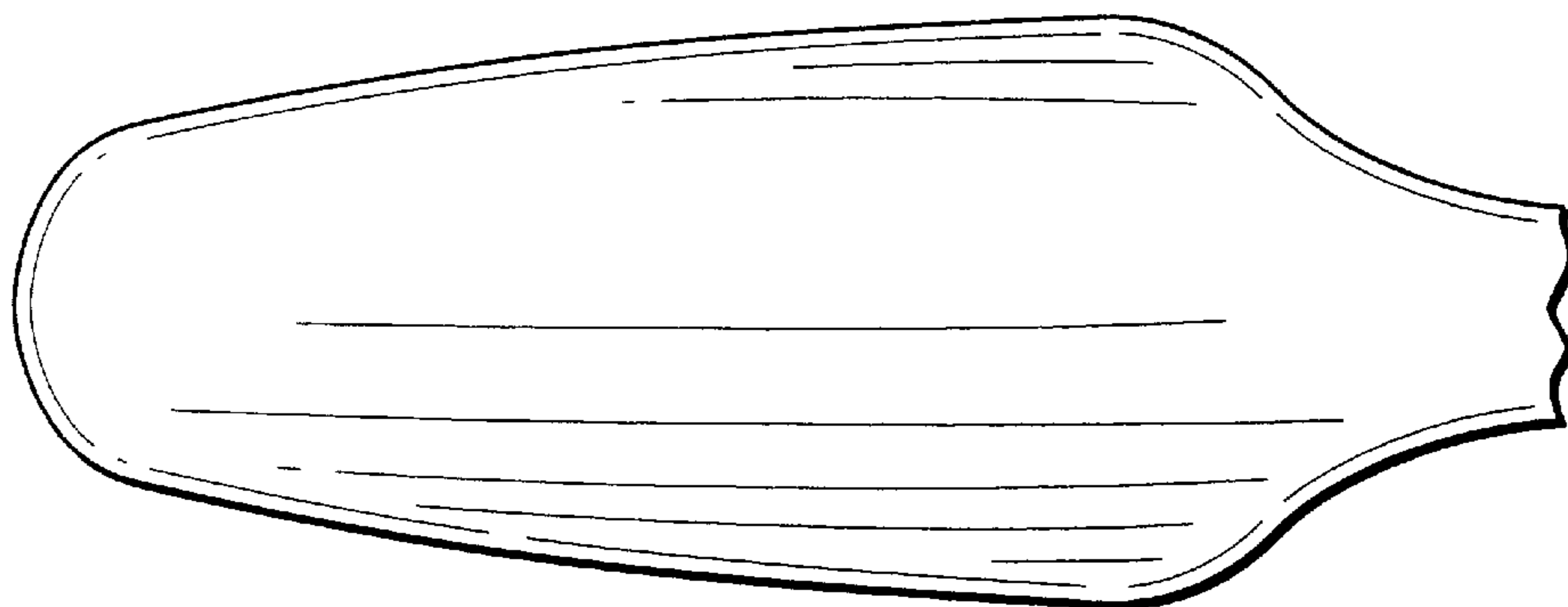


FIG. 5

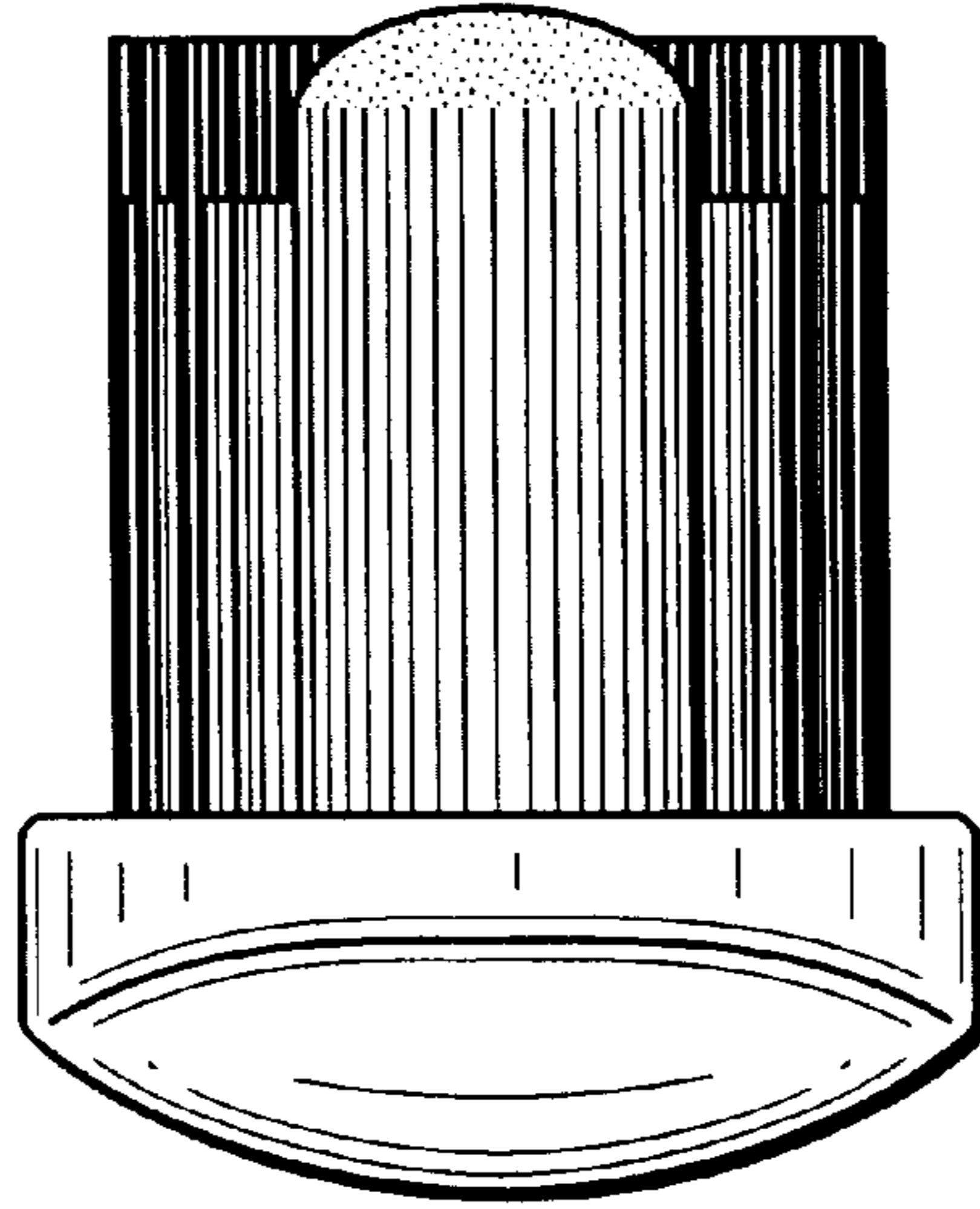


FIG. 6

