



US00D436730S

(12) **United States Design Patent**
Dembicks

(10) **Patent No.:** **US D436,730 S**

(45) **Date of Patent:** **** Jan. 30, 2001**

(54) **SIX COMPARTMENT TRAY**

5,265,729 * 11/1993 Carlin 206/561
5,753,456 5/1998 Naqui et al. .

(75) Inventor: **Andrew E. Dembicks**, Boca Raton, FL (US)

* cited by examiner

(73) Assignee: **The Andrews Company**, Boca Raton, FL (US)

Primary Examiner—Louis S. Zarfaz
Assistant Examiner—Catherine R. Oliver
(74) *Attorney, Agent, or Firm*—Akerman Senterfitt

(*) Notice: This patent is subject to a terminal disclaimer.

(57) **CLAIM**

(**) Term: **14 Years**

An ornamental design for a six compartment tray, as shown and described.

(21) Appl. No.: **29/107,495**

DESCRIPTION

(22) Filed: **Jul. 7, 1999**

(51) **LOC (7) Cl.** **03-01**

(52) **U.S. Cl.** **D3/313**

(58) **Field of Search** D3/313, 201, 203,
D3/304, 314, 310; 206/561, 557; D7/553.1;
220/507, 532, 533

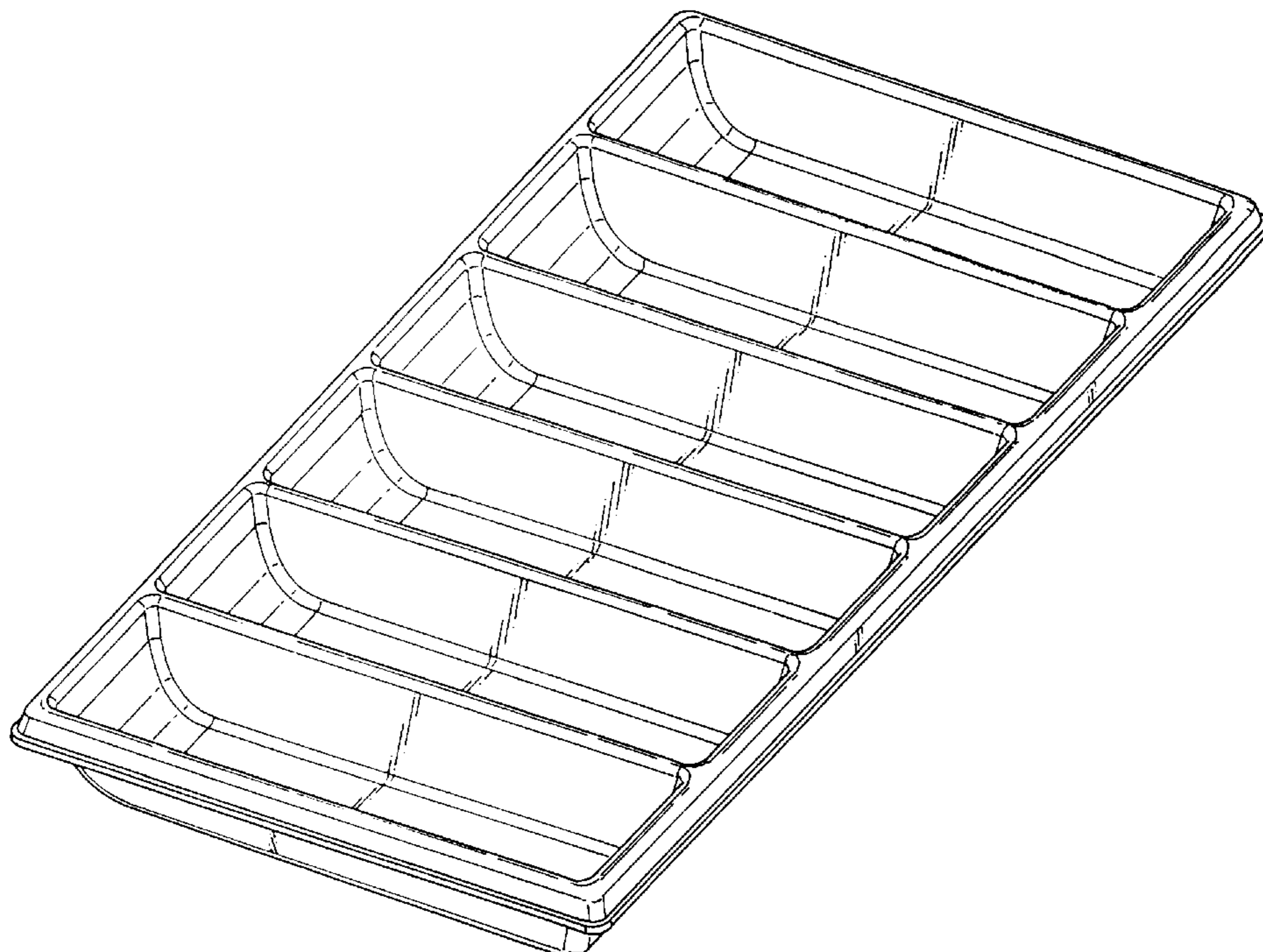
FIG. 1 is a perspective view of the six compartment tray according to the subject invention;
FIG. 2 is a back view of the six compartment tray according to the subject invention;
FIG. 3 is a front view of the six compartment tray according to the subject invention;
FIG. 4 is a front cross-sectional view of the six compartment tray according to the subject invention, shown along line 4—4 in FIG. 6;
FIG. 5 is a top view of the six compartment tray according to the subject invention
FIG. 6 is a bottom view of the six compartment tray according to the subject invention
FIG. 7 is a side view of the six compartment tray according to the subject invention; and,
FIG. 8 is a side sectional view of one of the compartments of the six compartment tray according to the subject invention.

(56) **References Cited**

U.S. PATENT DOCUMENTS

230,664	*	8/1880	Schmieding	206/557
D. 278,255		4/1985	Evenson .		
D. 321,074		10/1991	Eby .		
1,941,922	*	1/1934	Worth	206/557
2,162,162		6/1939	Murguiondo .		
2,313,394		3/1943	Norris .		
2,587,726	*	3/1952	Holder et al.	220/532
4,872,559		10/1989	Schoon .		
4,887,790		12/1989	Wilkinson et al. .		
5,148,942	*	9/1992	Snook	220/553

1 Claim, 2 Drawing Sheets



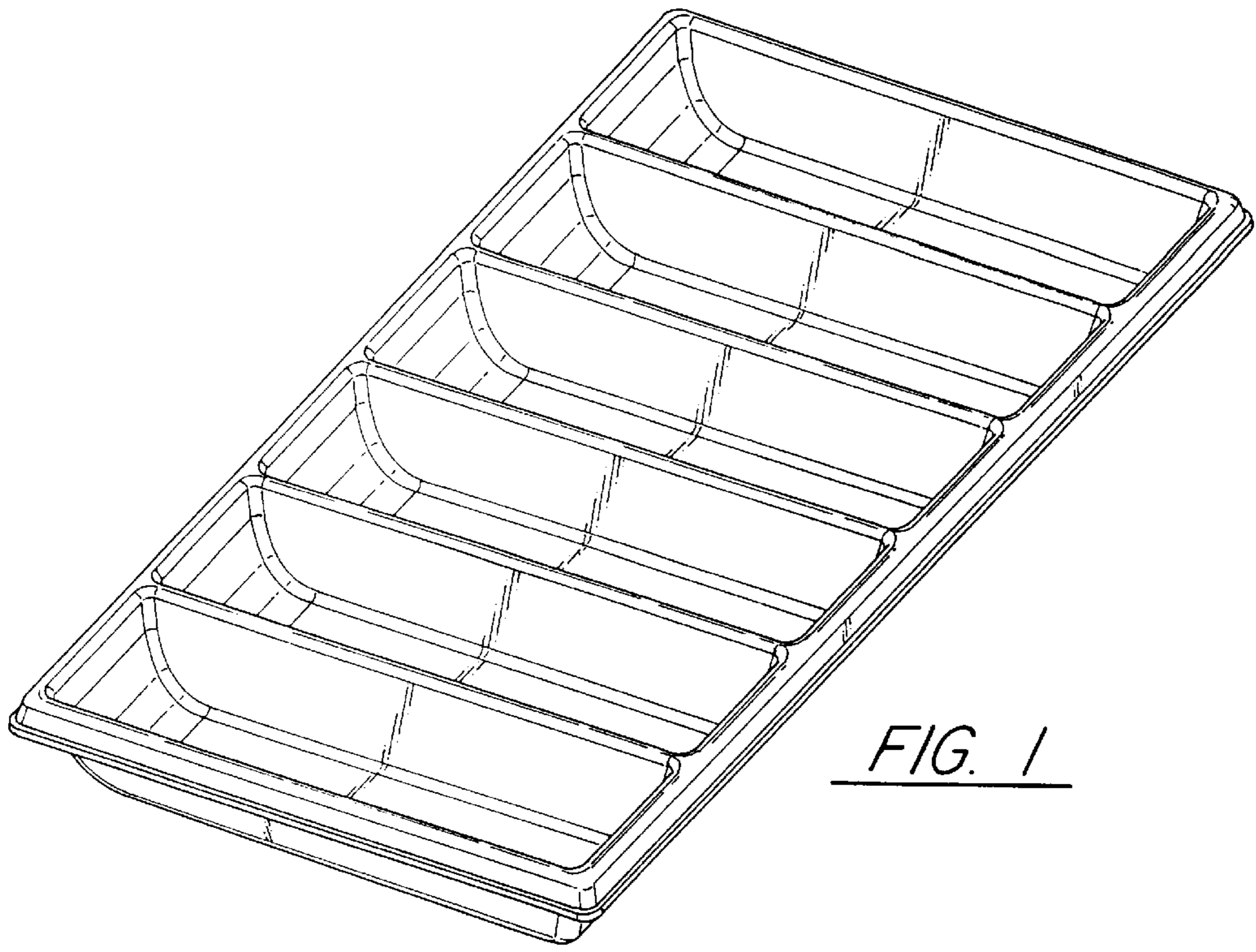


FIG. 1



FIG. 2



FIG. 3

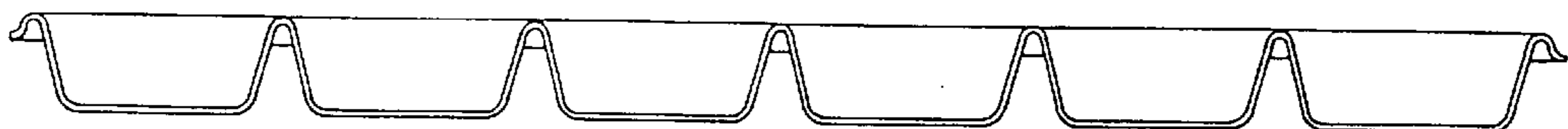


FIG. 4

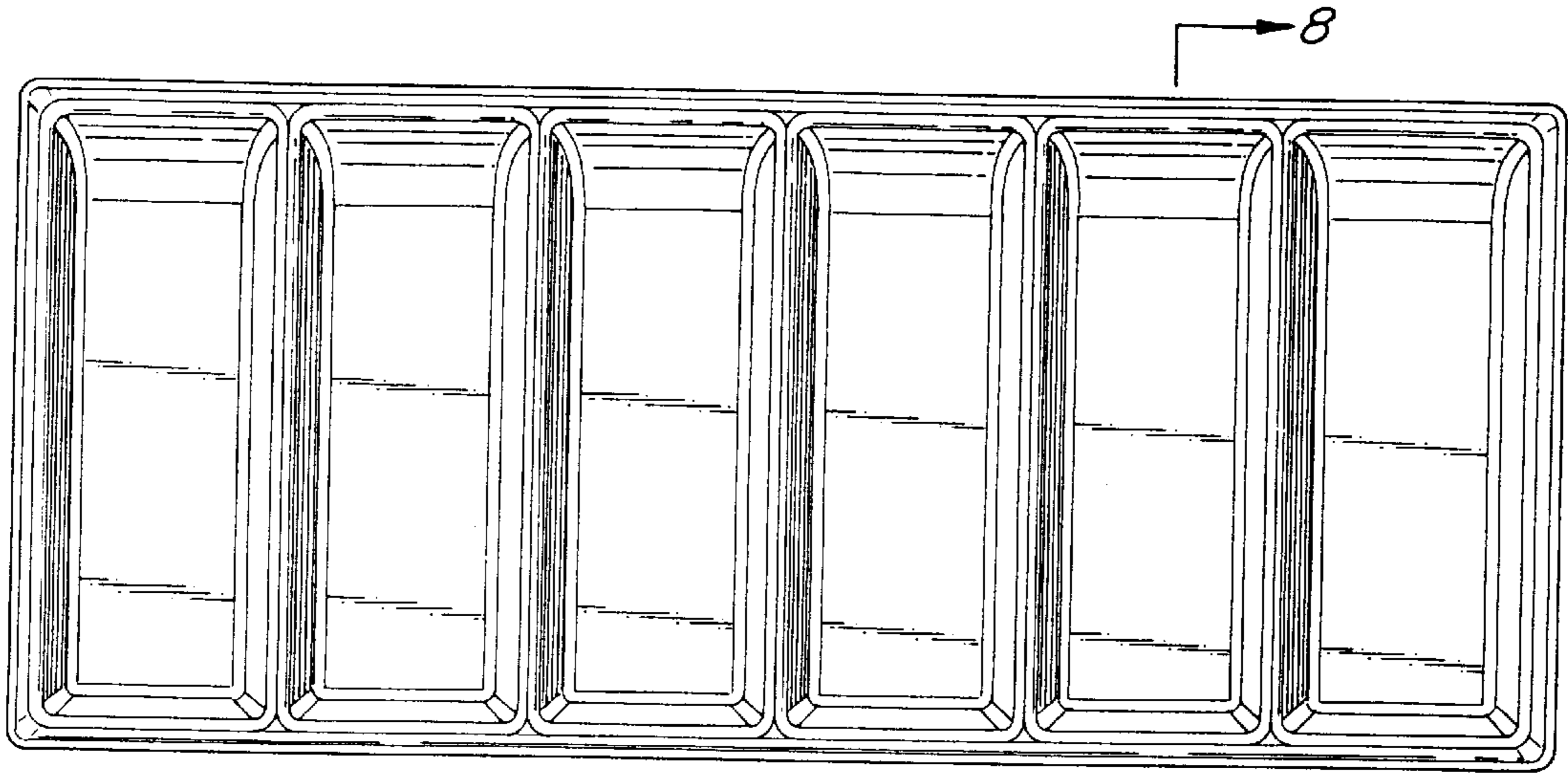


FIG. 5

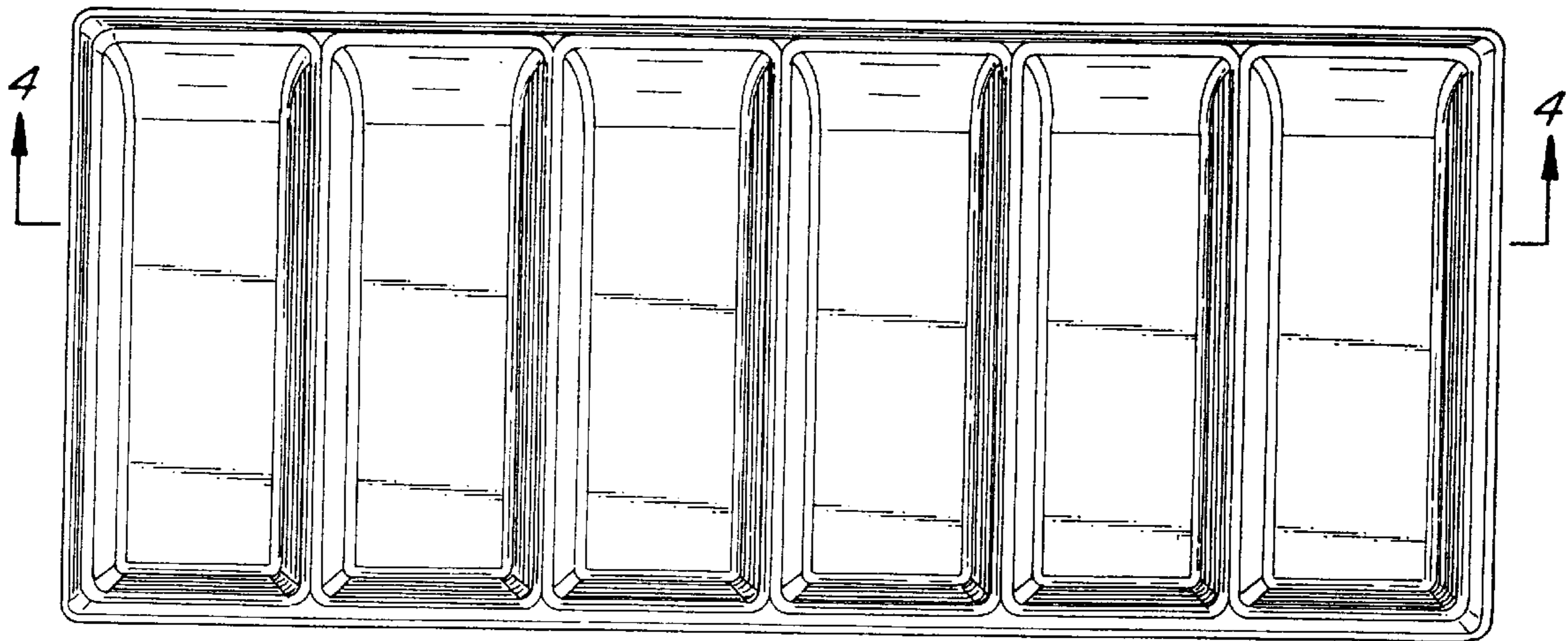


FIG. 6

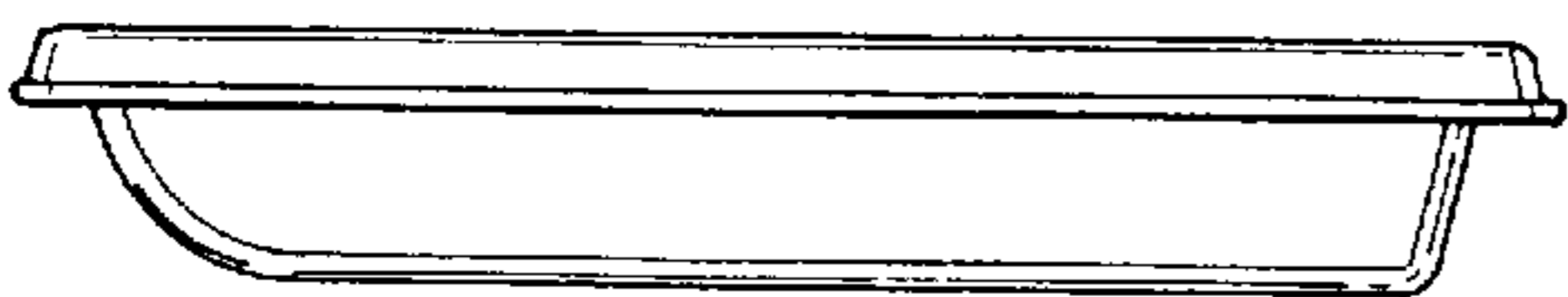


FIG. 7



FIG. 8