



US00D436726S

(12) **United States Design Patent**
Mills

(10) **Patent No.:** **US D436,726 S**

(45) **Date of Patent:** **** Jan. 30, 2001**

(54) **TACKLE BOX**

4,819,800 * 4/1989 Wilson 206/373
5,378,005 * 1/1995 Norton 206/349

(76) Inventor: **Lynn A Mills**, 27 1/2 E. Second St.,
Peru, IN (US) 46970

* cited by examiner

(**) Term: **14 Years**

Primary Examiner—Raphael Barkai

(21) Appl. No.: **29/119,594**

(57) **CLAIM**

(22) Filed: **Mar. 6, 2000**

The ornamental design for a tackle box, as shown and described.

(51) **LOC (7) Cl.** **03-01**

DESCRIPTION

(52) **U.S. Cl.** **D3/273; D3/905**

(58) **Field of Search** D3/273, 274, 276,
D3/282, 294, 295; 206/349, 372, 373, 379,
315.1; 190/100

FIG. 1 is a front elevational view of the tackle box of the present invention;

FIG. 2 is a rear elevational view of the tackle box of FIG. 1;

FIG. 3 is a right side elevational view of the tackle box of FIG. 1, the left side elevational view being mirror image thereof;

FIG. 4 is a top plan view of the tackle box of FIG. 1;

FIG. 5 is a bottom plan view of the tackle box of FIG. 1; and,

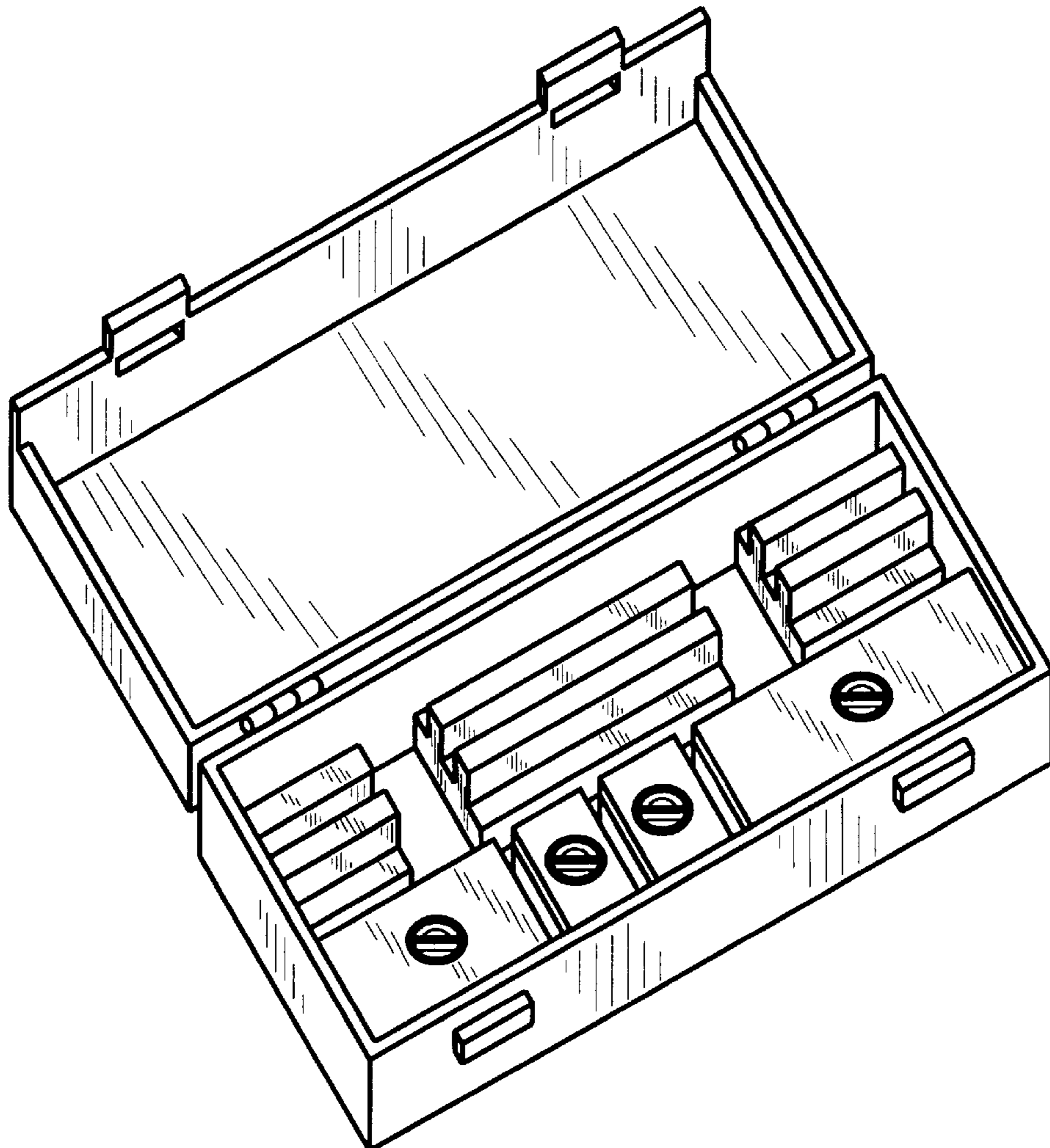
FIG. 6 is a top, front, left side perspective view of the tackle box of FIG. 1.

(56) **References Cited**

U.S. PATENT DOCUMENTS

D. 254,122	*	2/1980	Wintz	D3/905
D. 267,834	*	2/1983	Yew	D3/905
D. 318,371	*	7/1991	Leverette	D3/905
D. 355,761	*	2/1995	Campana et al.	D3/273
D. 419,769	*	2/2000	Germano	D3/295

1 Claim, 3 Drawing Sheets



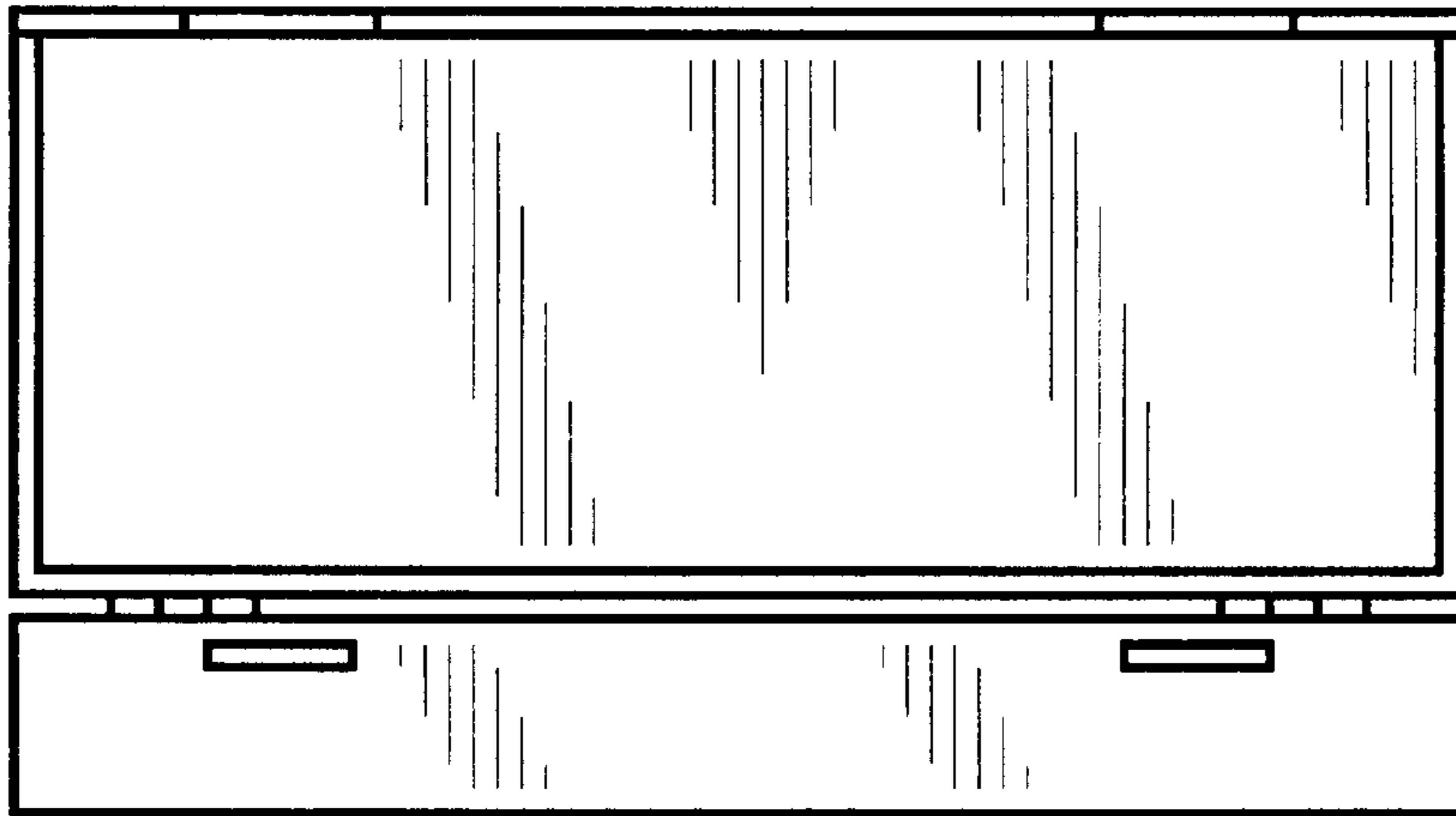


FIG. 1

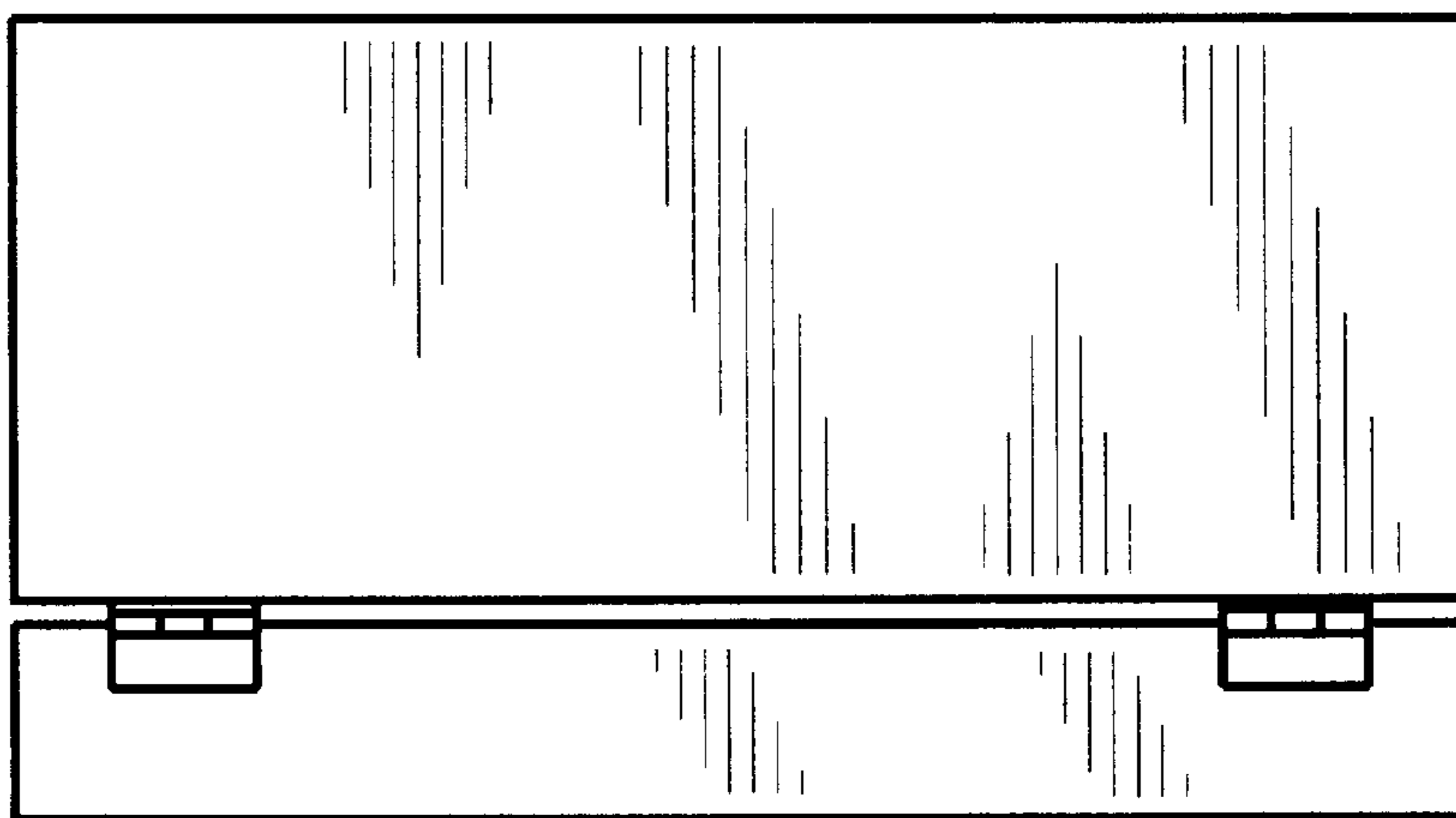


FIG. 2

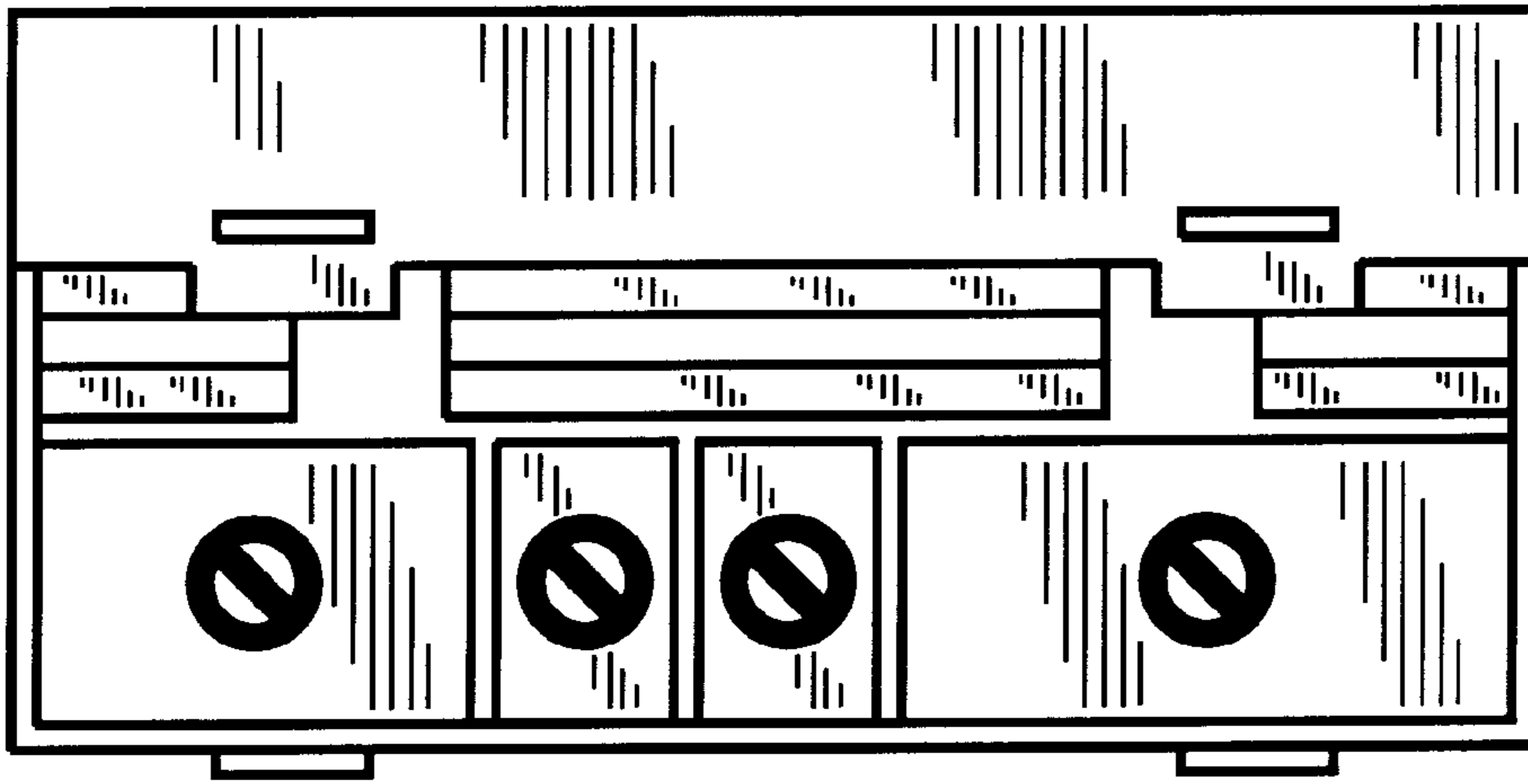


FIG. 4

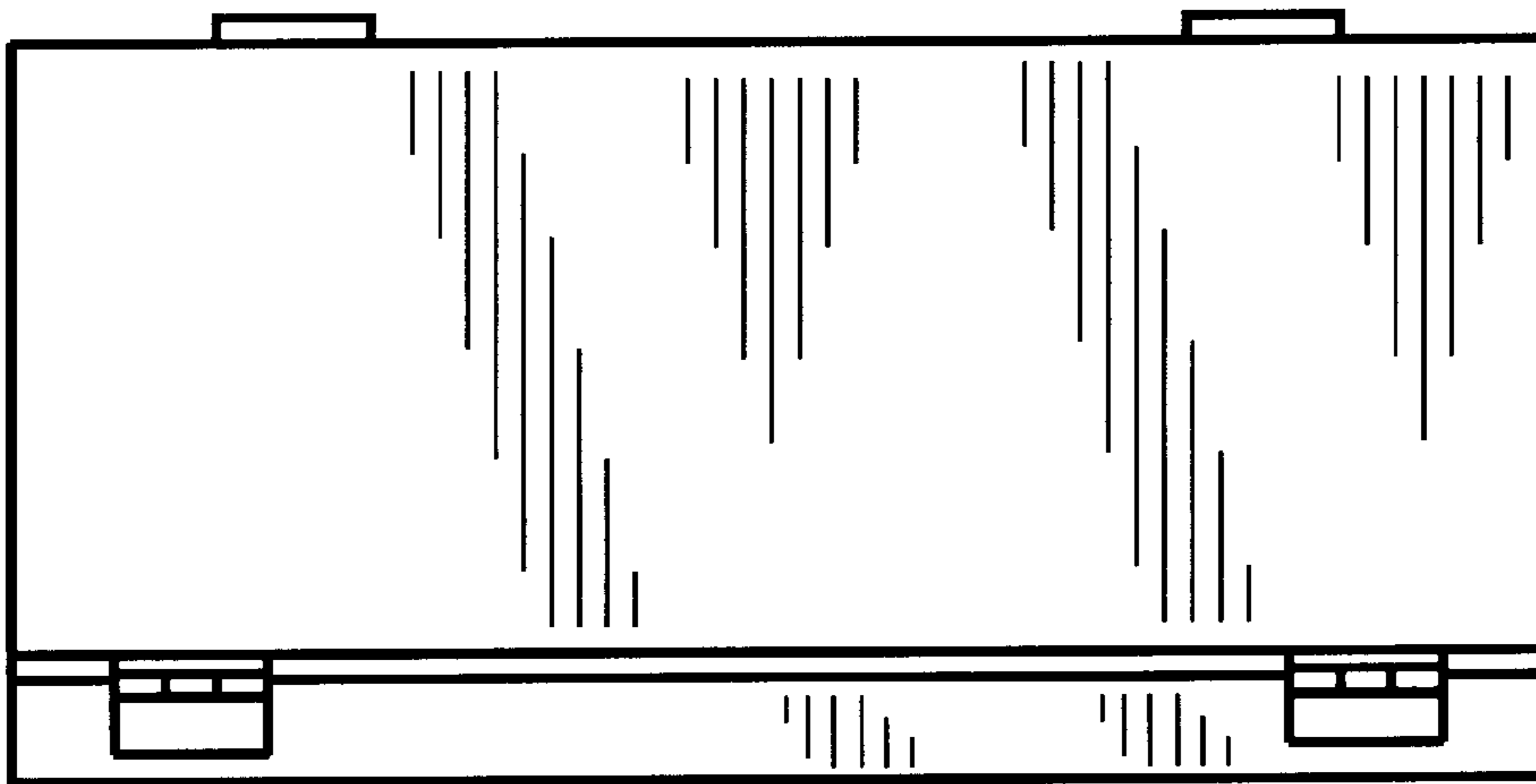


FIG. 5

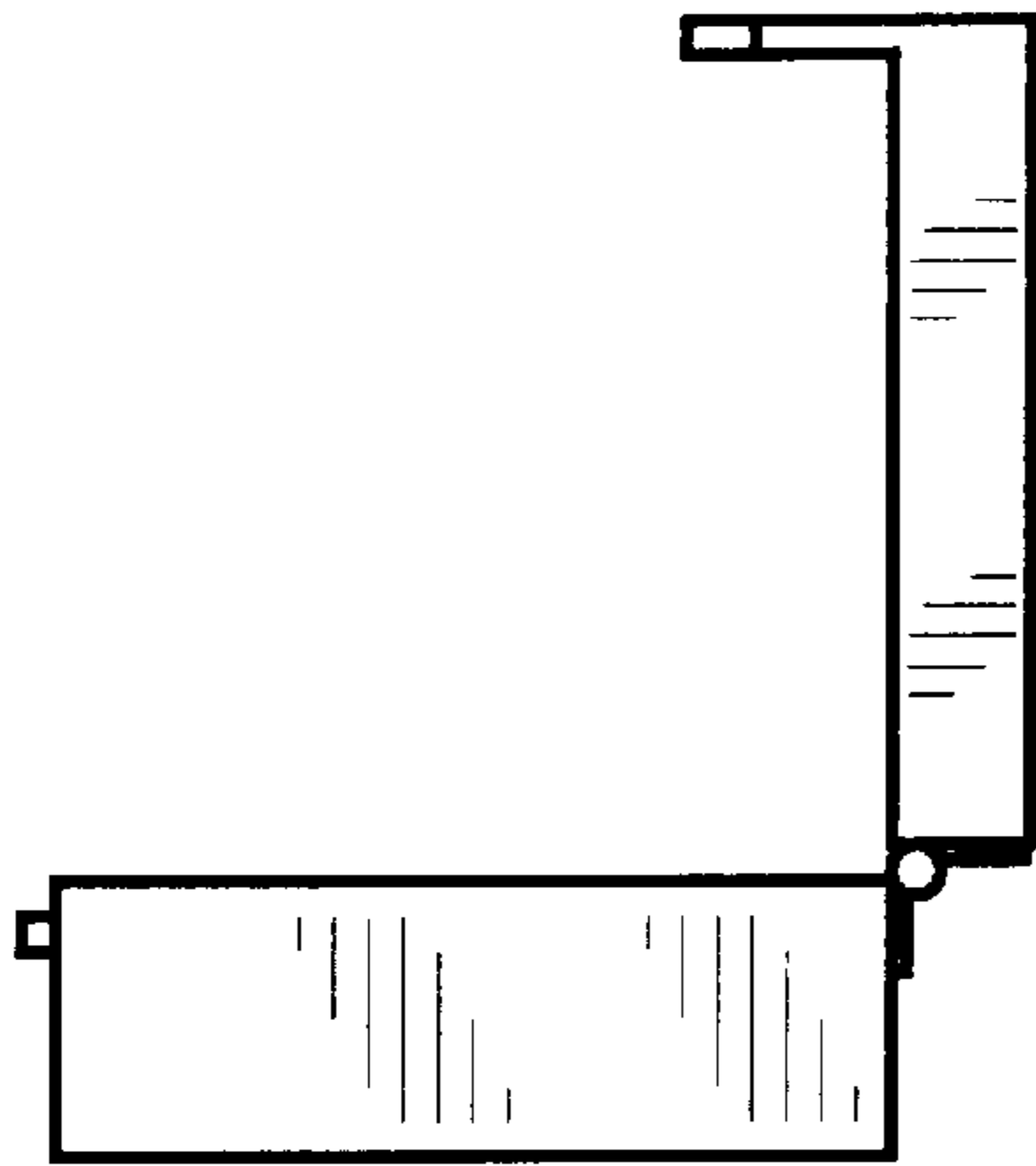


FIG. 3

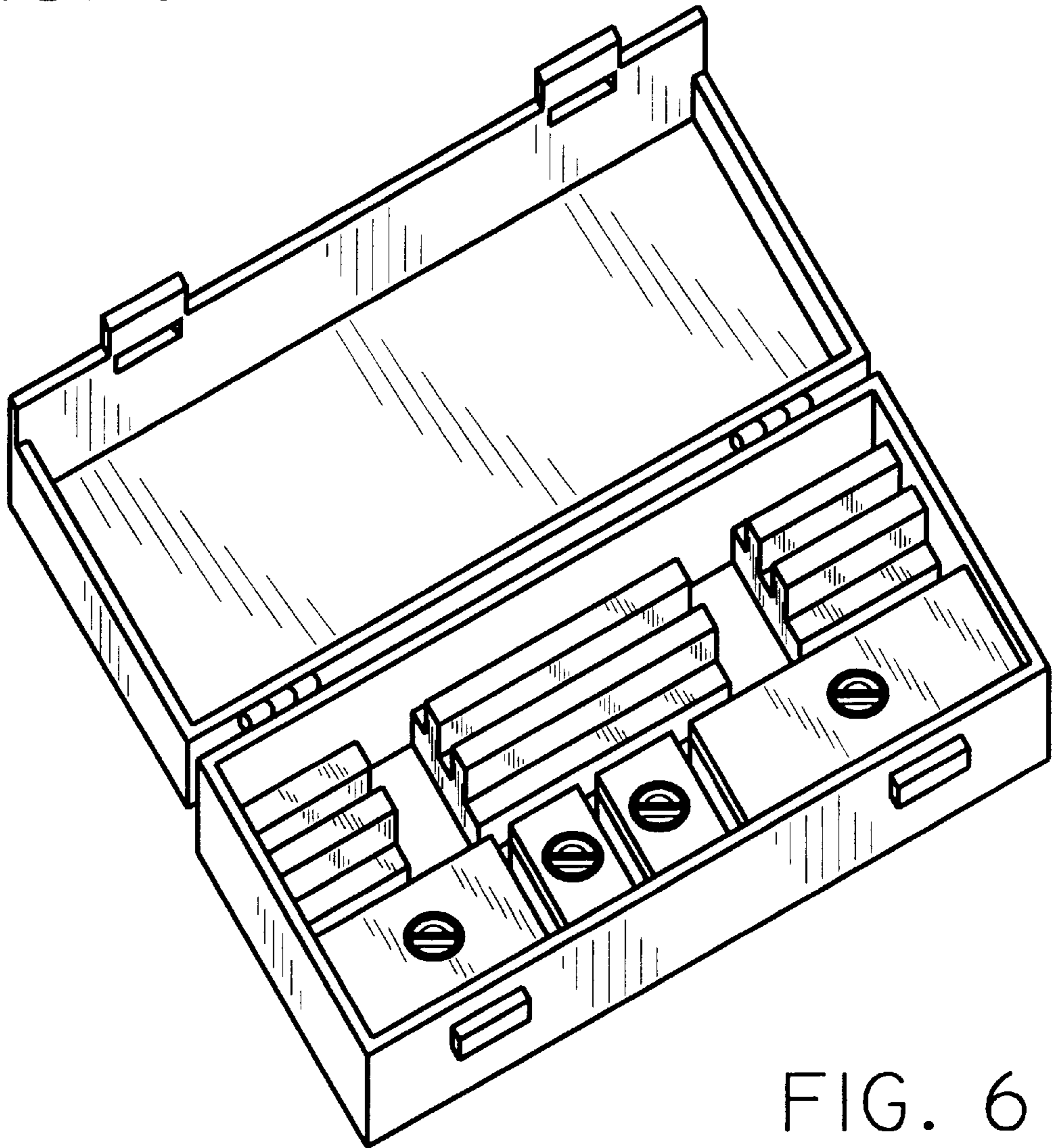


FIG. 6