



US00D436722S

(12) **United States Design Patent**
Larko

(10) **Patent No.:** **US D436,722 S**

(45) **Date of Patent:** **** Jan. 30, 2001**

(54) **BACKPACK GOLF CADDY**

(76) Inventor: **Michael P. Larko**, 85 Onyx Pl.,
Matawan, NJ (US) 07747

(**) Term: **14 Years**

(21) Appl. No.: **29/117,867**

(22) Filed: **Feb. 1, 2000**

(51) **LOC (7) Cl.** **03-01**

(52) **U.S. Cl.** **D3/217; D3/216; D3/221**

(58) **Field of Search** **D3/216, 217, 221;**
206/315.3, 315.4, 315.7, 315; 224/153,
579, 657, 658; 294/142; 280/652, 47.26,
30

(56) **References Cited**

U.S. PATENT DOCUMENTS

D. 214,476	*	6/1969	Maxwell	D3/217
D. 319,144	*	8/1991	Goude	D3/217
D. 345,049	*	3/1994	Pollack	D3/217
D. 352,165	*	11/1994	Covertson	224/579
D. 371,677	*	7/1996	Cantwell et al.	D3/217
D. 410,329	*	6/1999	Wyatt et al.	D3/217
D. 415,344	*	10/1999	Leibowitz	D3/217
1,636,194	*	7/1927	Mullins	224/579
3,019,952	*	2/1962	Brewster	224/153
3,530,919	*	9/1970	May	206/315
5,429,288	*	7/1995	Sattler	224/258

5,437,365	*	8/1995	Solheim	206/315.3
5,599,037	*	2/1997	Spickler	280/652
5,632,496	*	5/1997	Nelson	280/30
5,961,017	*	10/1999	Mehler	224/153
5,971,409	*	10/1999	Butz	280/47.26

* cited by examiner

Primary Examiner—Celia Murphy

(74) *Attorney, Agent, or Firm*—Arnold B. Silverman;
Eckert Seamans Cherin & Mellott, LLC

(57) **CLAIM**

The ornamental design for backpack golf caddy, as shown and described.

DESCRIPTION

FIG. 1 is a perspective view of the backpack golf caddy of the present invention;

FIG. 2 is a top plan view thereof;

FIG. 3 is a bottom plan view thereof;

FIG. 4 is a front elevation thereof;

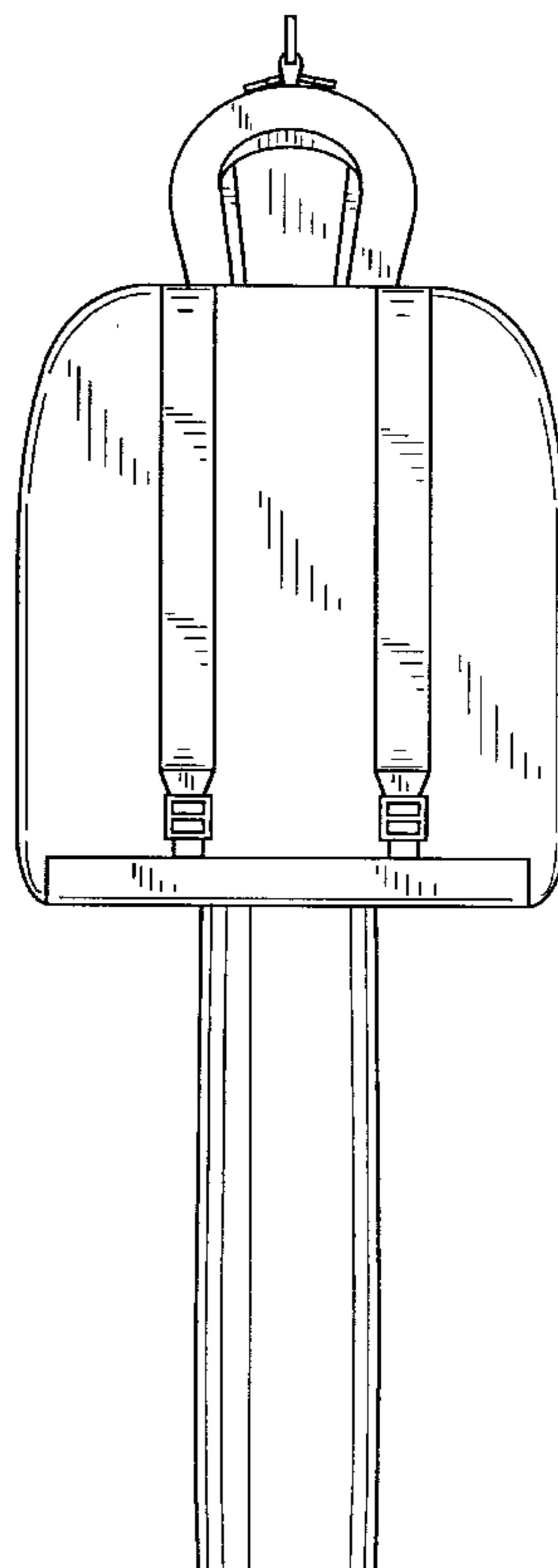
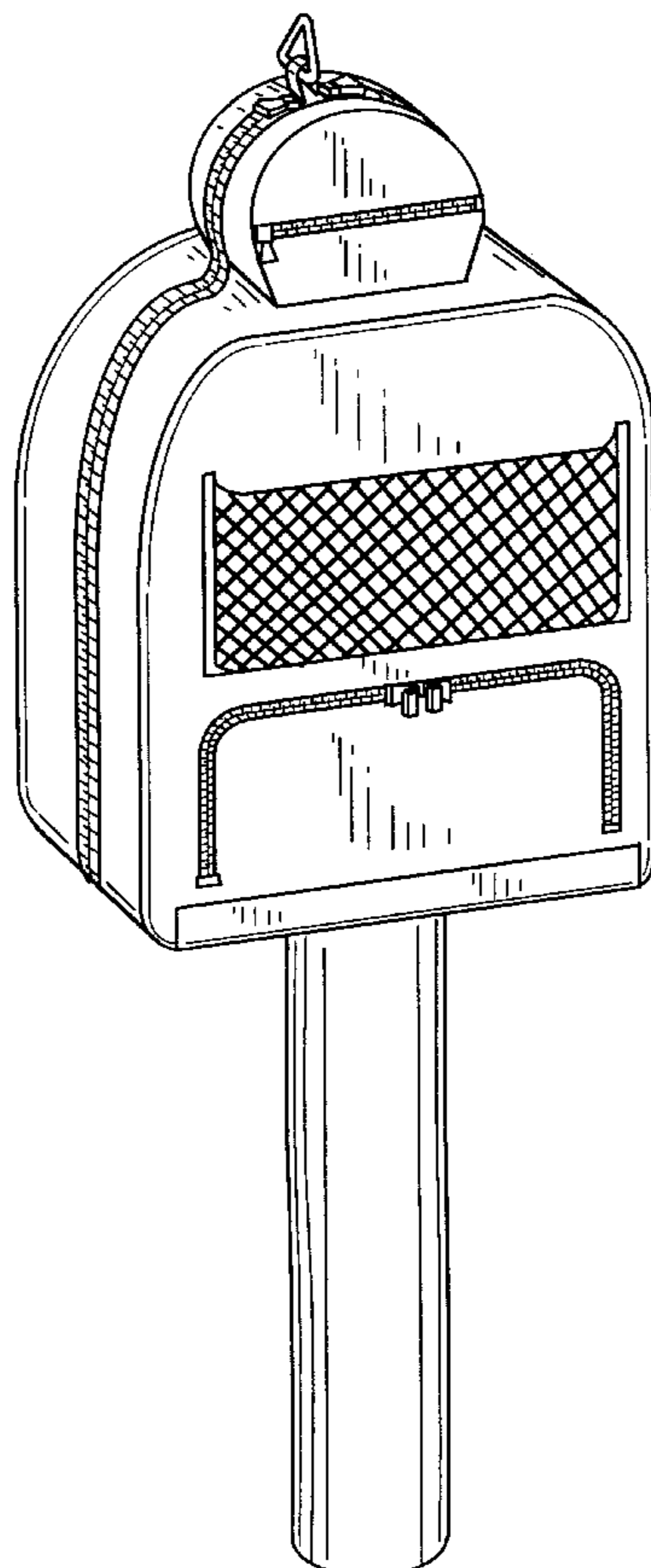
FIG. 5 is a rear elevation thereof;

FIG. 6 is a right-side elevation thereof; and,

FIG. 7 is a left-side elevation thereof.

The backpack golf caddy of the present invention is designed to be used primarily for carrying (a) a limited number of clubs and (b) accessories, such as golf shoes, golf balls and golf tees.

1 Claim, 4 Drawing Sheets



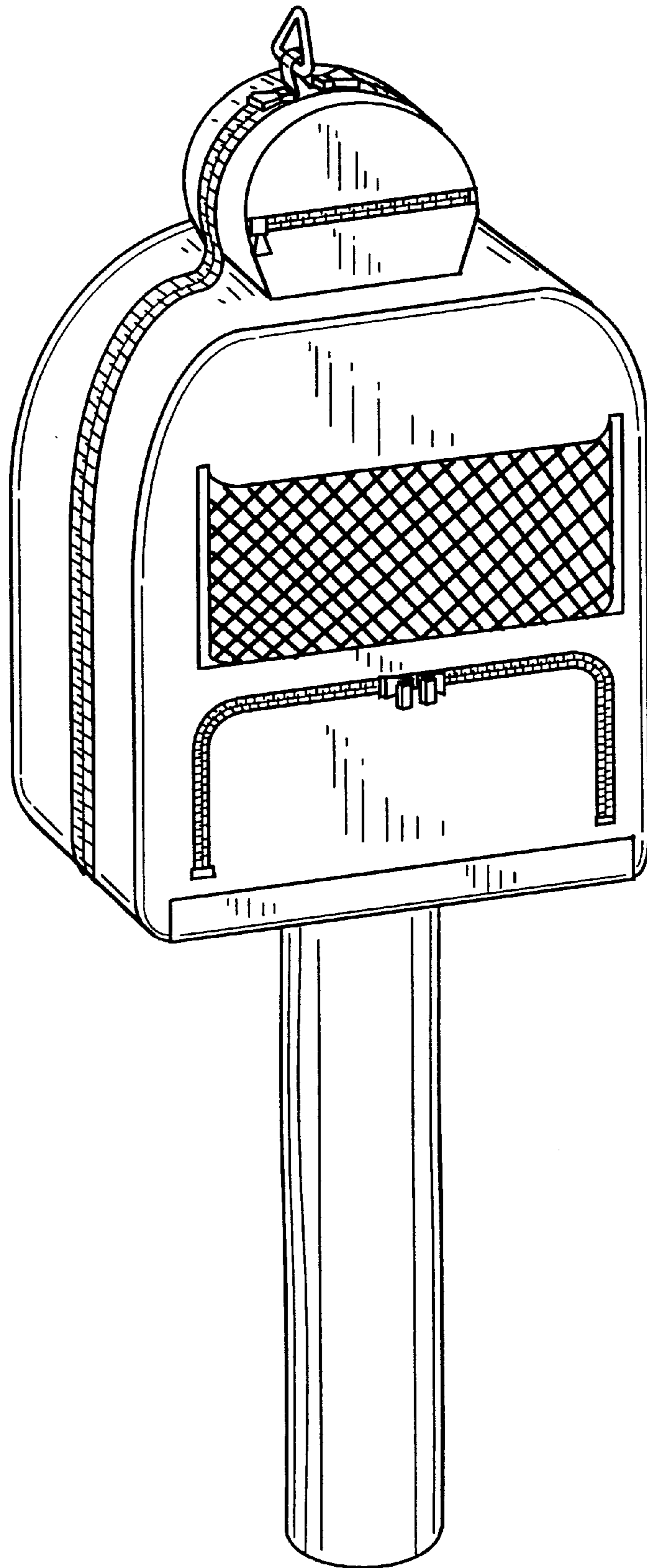


FIG. 1

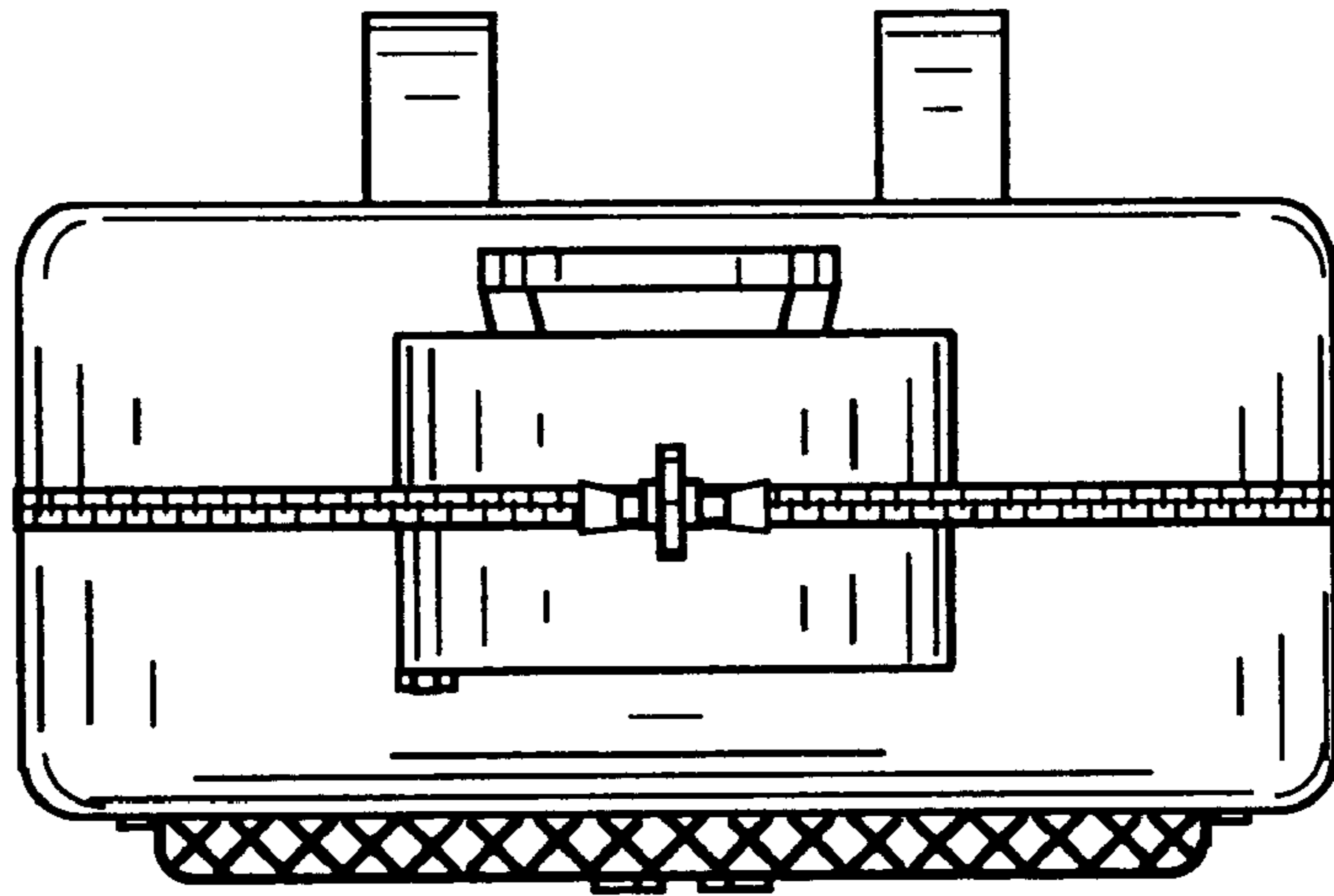


FIG. 2

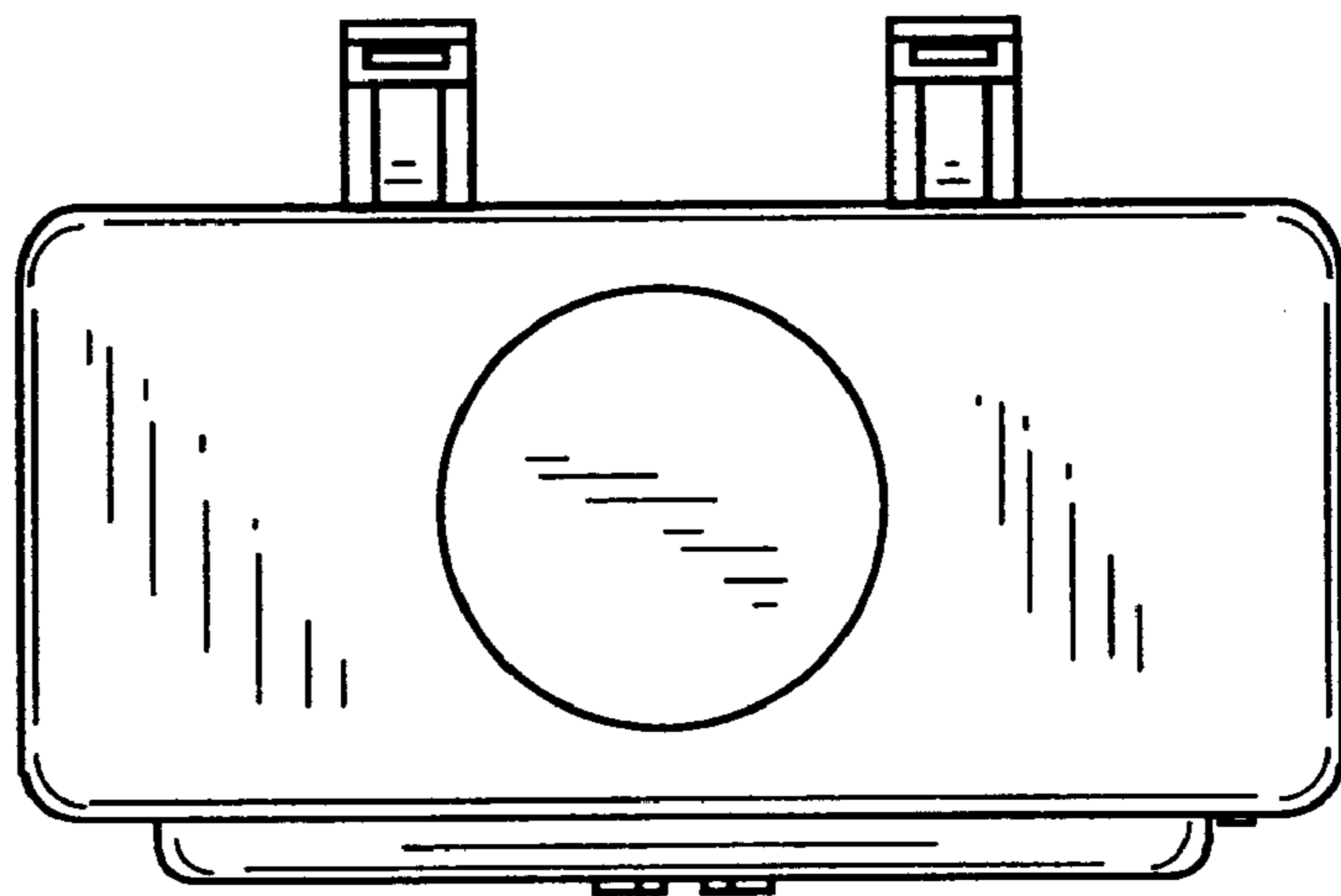


FIG. 3

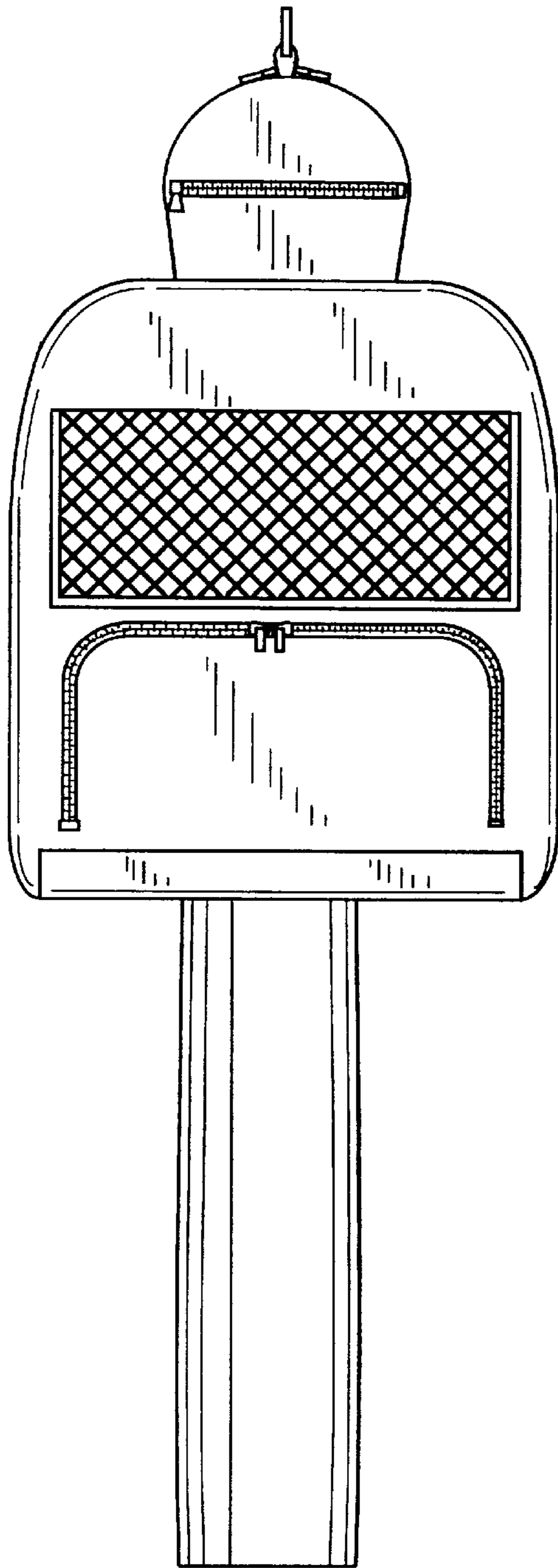


FIG. 4

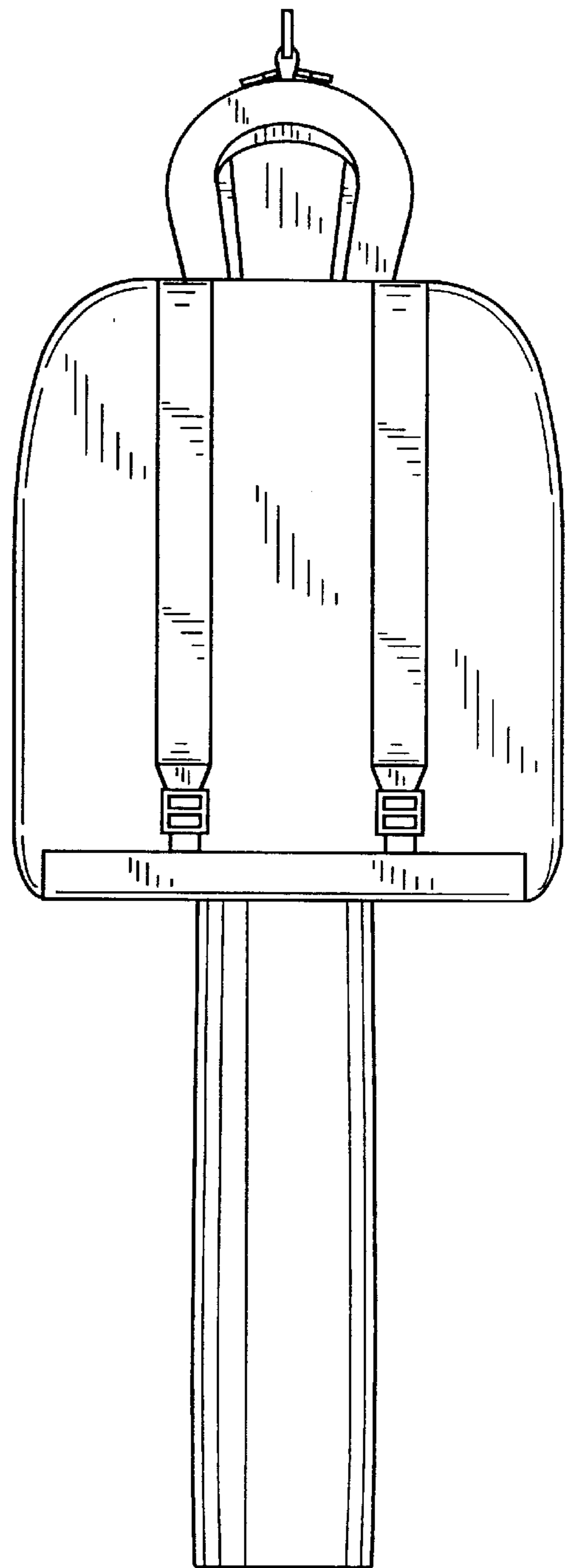


FIG. 5

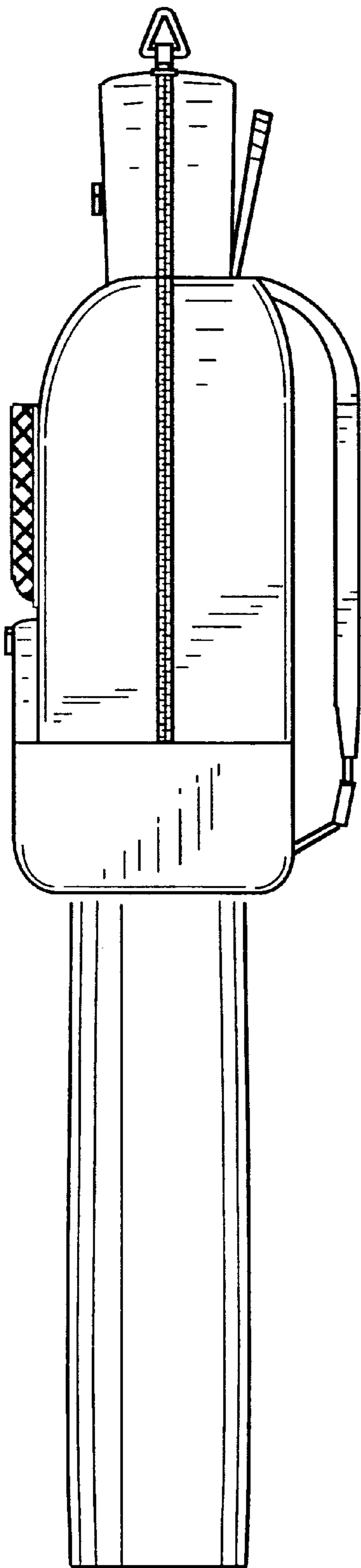


FIG. 6

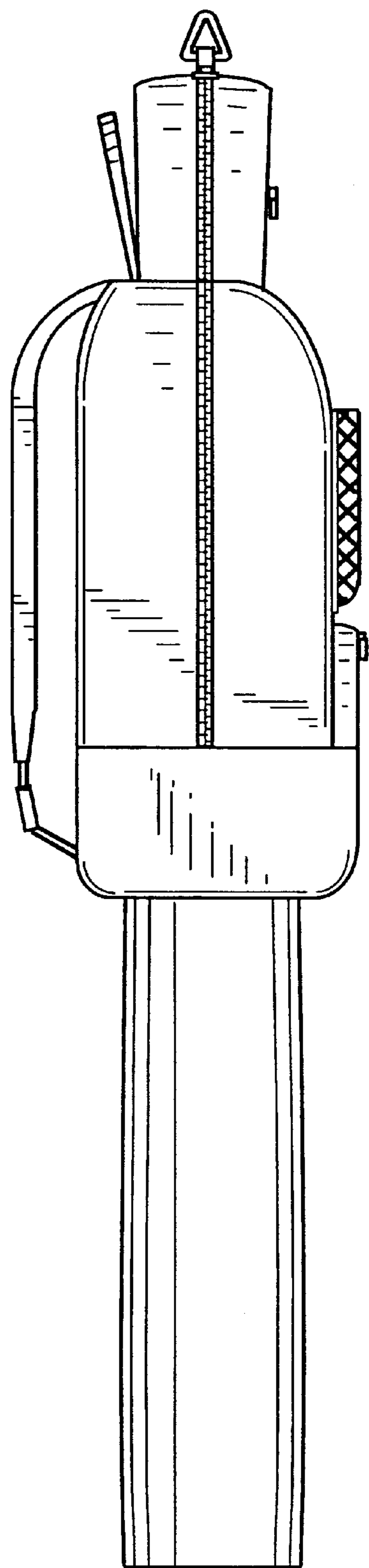


FIG. 7