



US00D436710S

(12) United States Design Patent
Zimmermann et al.

(10) Patent No.: US D436,710 S

(45) Date of Patent: ** Jan. 23, 2001

(54) **VOUCHER TERMINAL**

(75) Inventors: **Thomas Zimmermann; Anja Götz;**
Christoph Fleckenstein, all of Berlin
(DE)

(73) Assignee: **F. Zimmermann GmbH & Co. KG**
(DE)

(**) Term: **14 Years**

(21) Appl. No.: **29/121,483**

(22) Filed: **Apr. 7, 2000**

Related U.S. Application Data

(62) Division of application No. 29/110,575, filed on Sep. 9, 1999.

(51) **LOC (7) Cl. 25-03**

(52) **U.S. Cl. D99/28**

(58) **Field of Search** D99/28, 34, 35,
D99/41; D20/1, 10; D14/100, 102, 107,
113, 130; 235/379, 380, 381; 109/24.1;
194/350; D25/1, 33, 35

(56) **References Cited**

U.S. PATENT DOCUMENTS

D. 317,071 * 5/1991 McFadden et al. D99/28

D. 409,815 * 5/1999 Zimmermann et al. D99/28
D. 410,129 * 5/1999 Molander et al. D99/28
D. 412,233 * 7/1999 Cajacob et al. D99/28
D. 415,330 * 10/1999 King D99/28
D. 419,277 * 1/2000 Ishii et al. D99/35
D. 425,875 * 5/2000 Wilson D14/113

* cited by examiner

Primary Examiner—Paula A. Mortimer

(74) *Attorney, Agent, or Firm*—McGlew and Tuttle, P.C.

(57) **CLAIM**

The ornamental design for a voucher terminal, as shown and described.

DESCRIPTION

FIG. 1 is a front perspective view of a voucher terminal showing our new design;

FIG. 2 is a right side elevational view thereof;

FIG. 3 is a left side elevational view thereof;

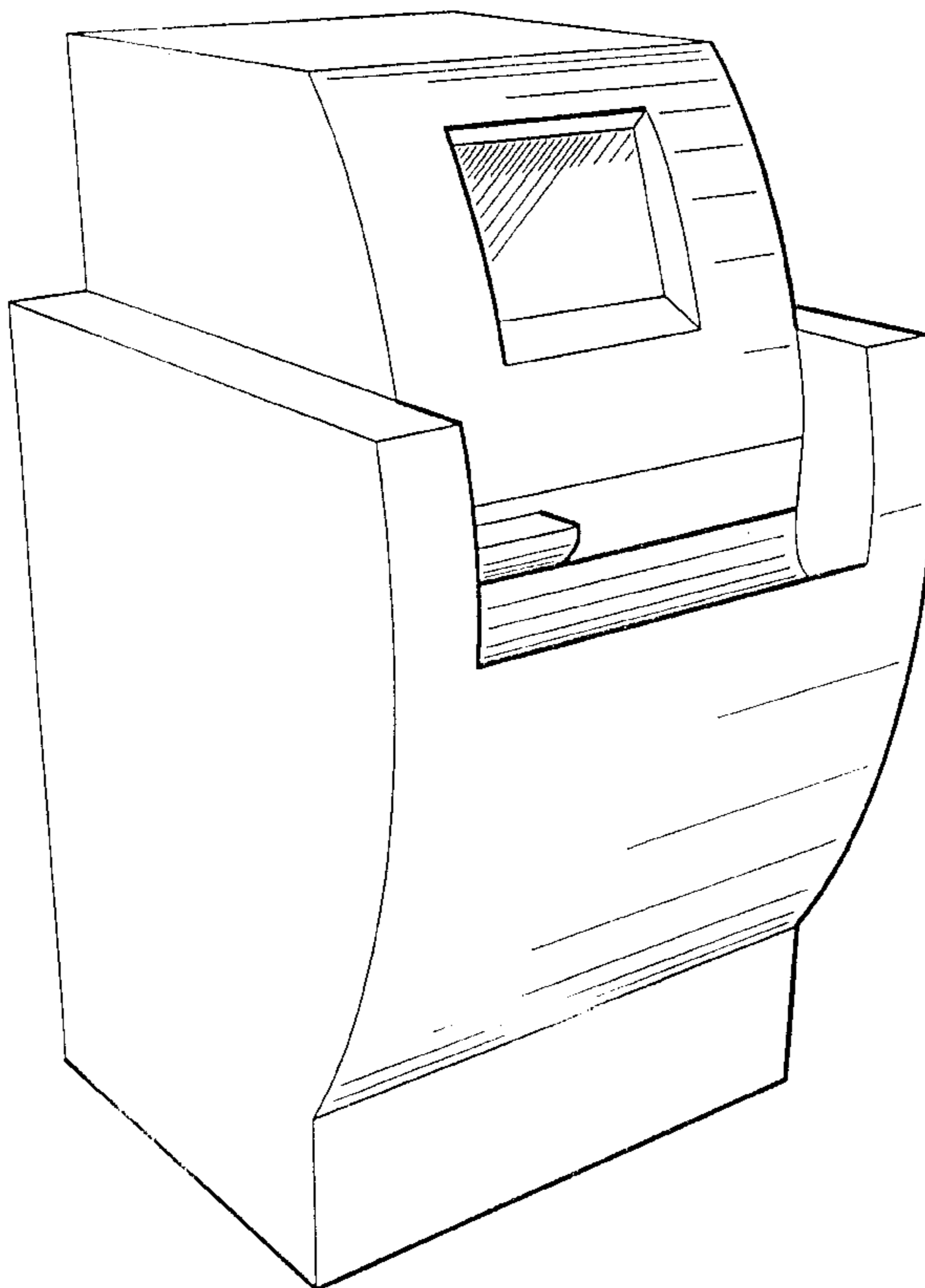
FIG. 4 is a top plan view thereof;

FIG. 5 is a bottom plan view thereof;

FIG. 6 is a front elevational view thereof; and,

FIG. 7 is a rear elevational view thereof.

1 Claim, 7 Drawing Sheets



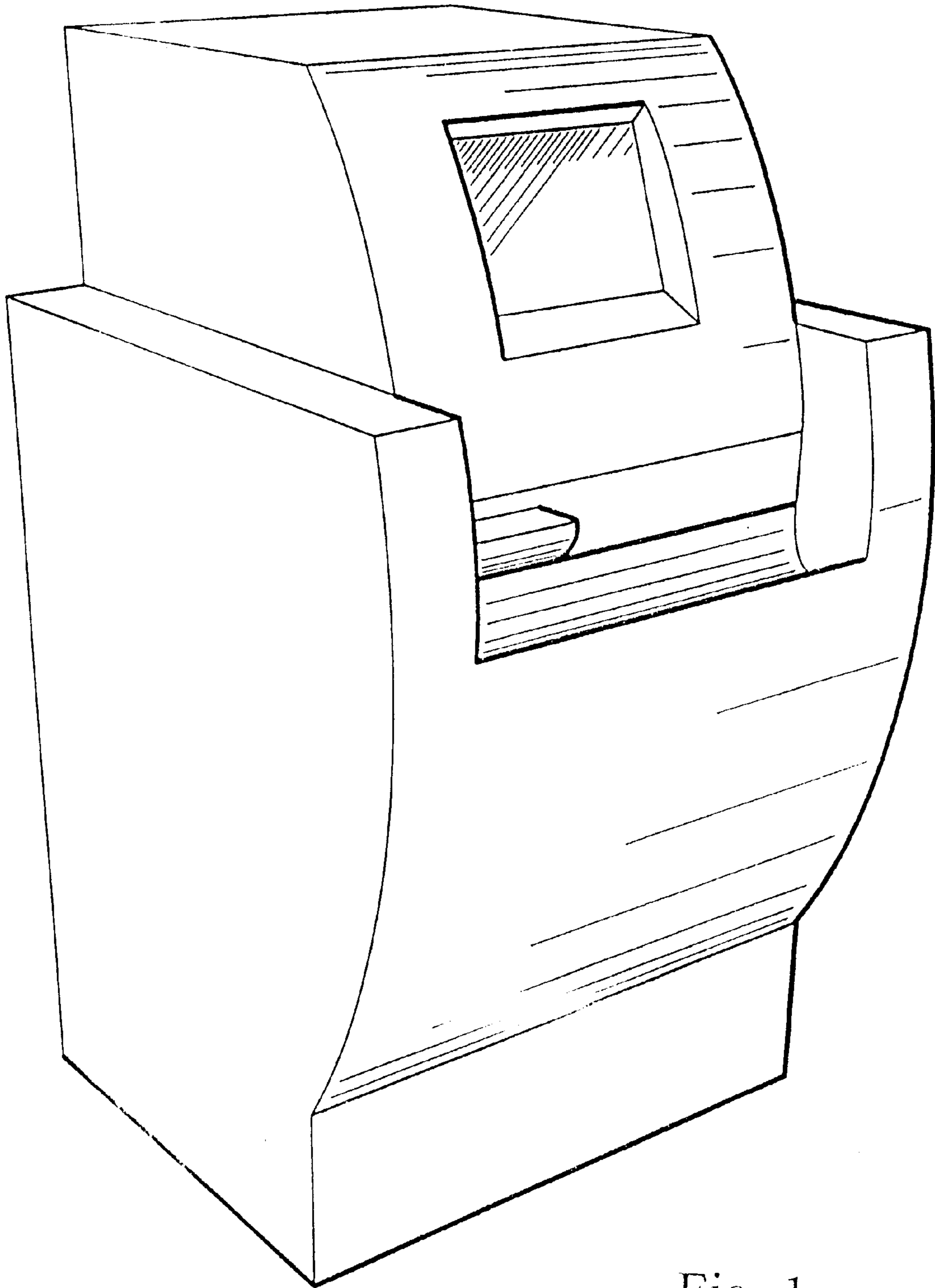


Fig. 1

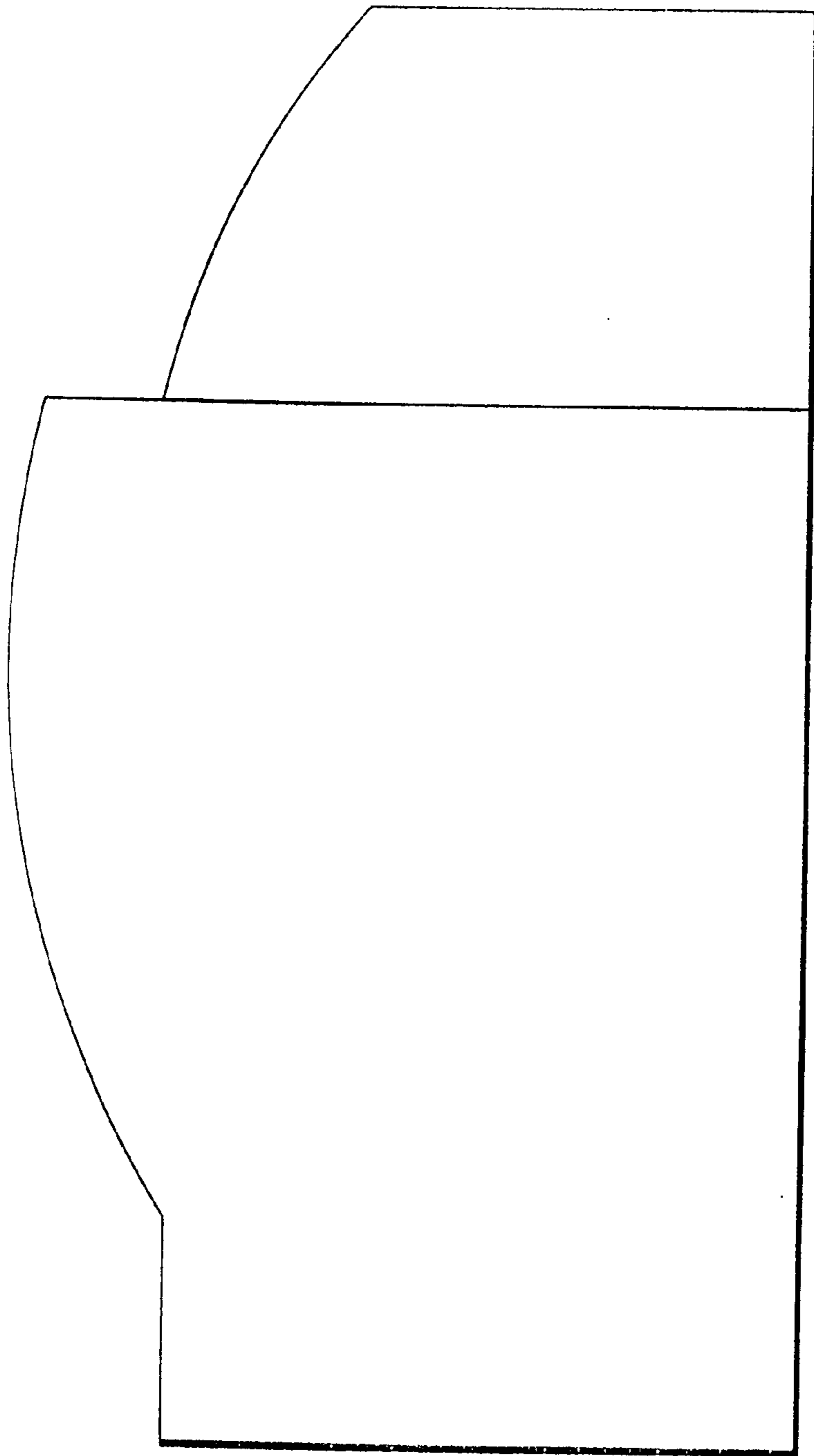


Fig. 2

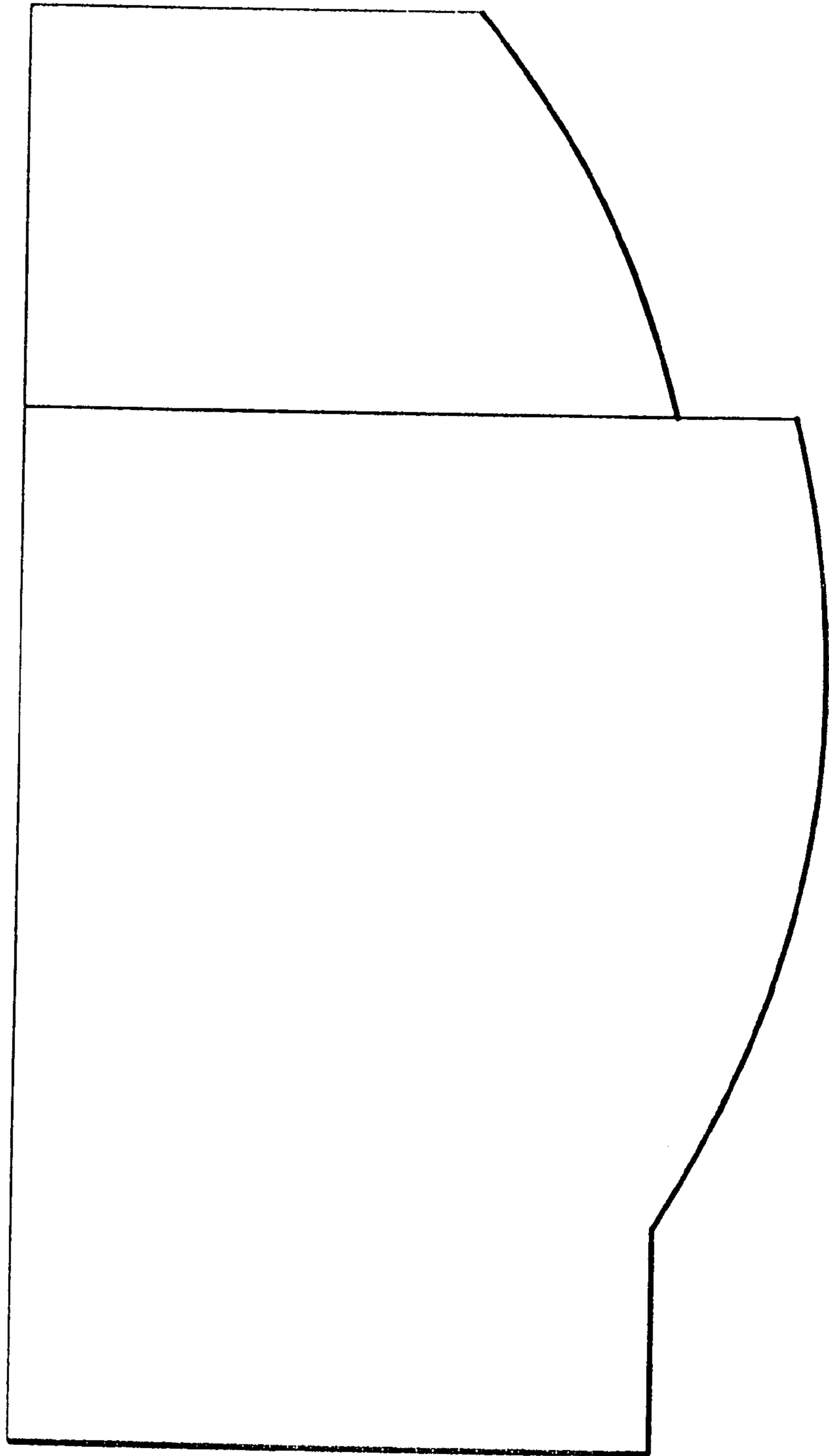


Fig. 3

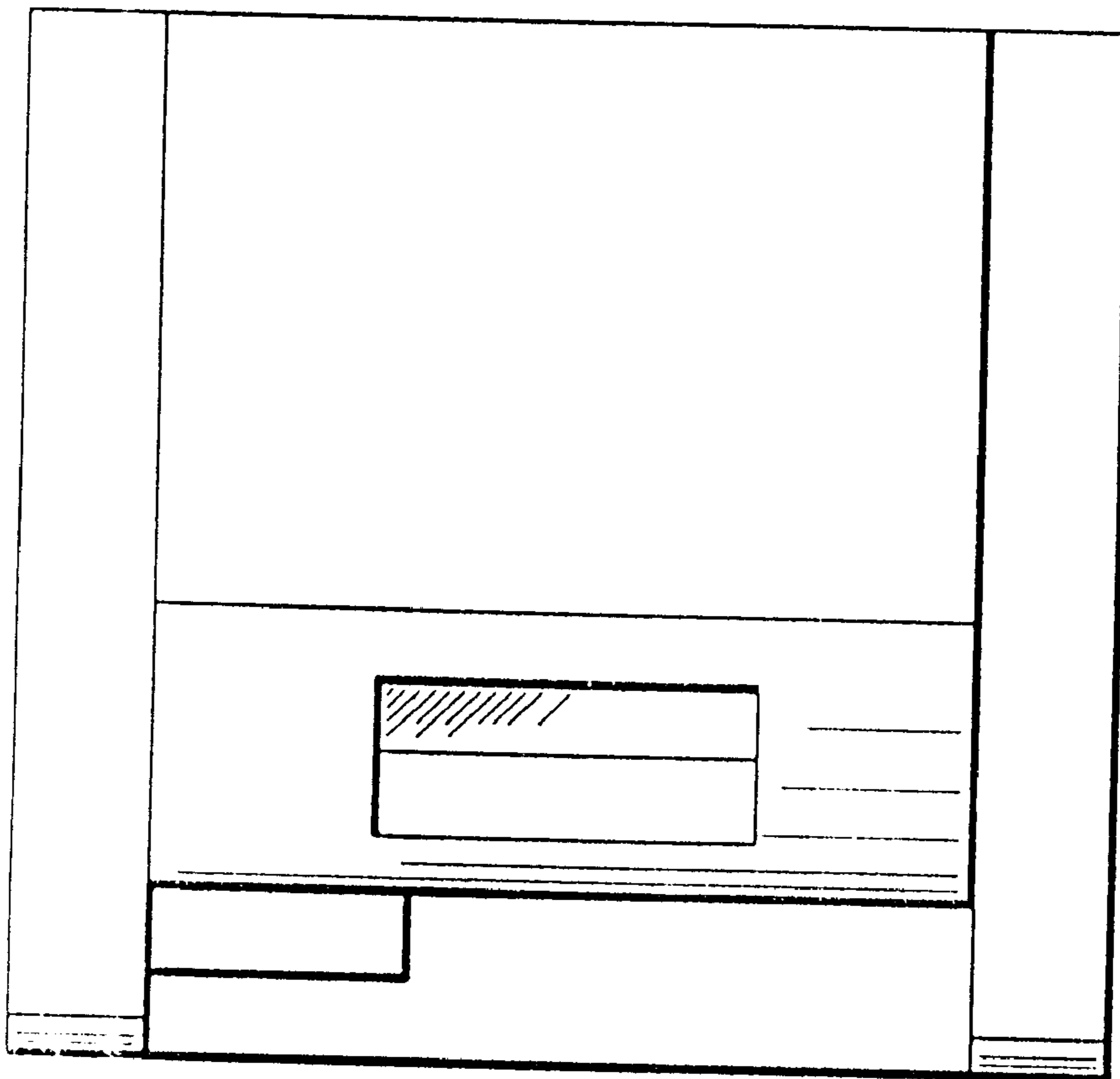


Fig. 4

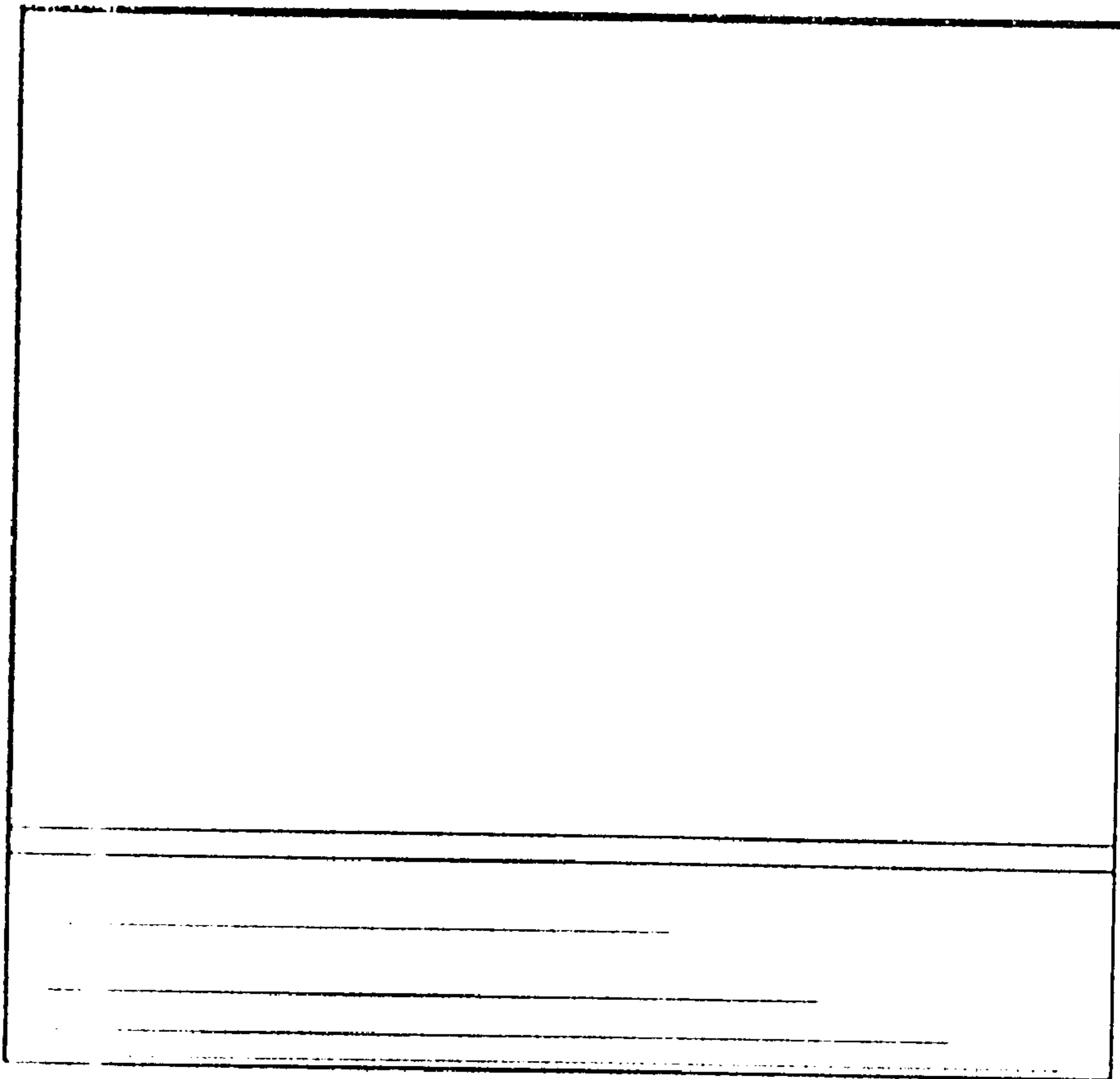


Fig. 5

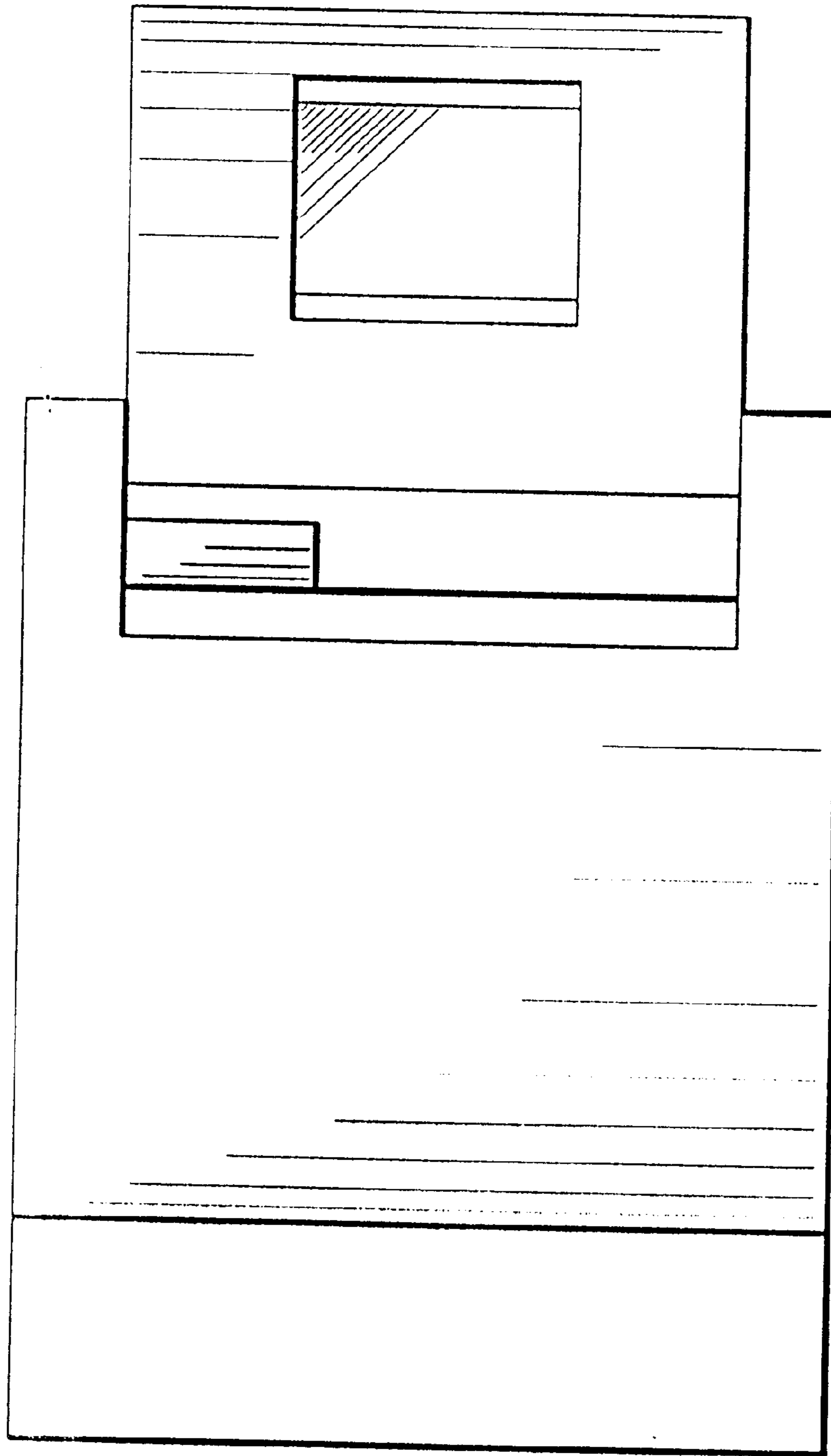


Fig. 6

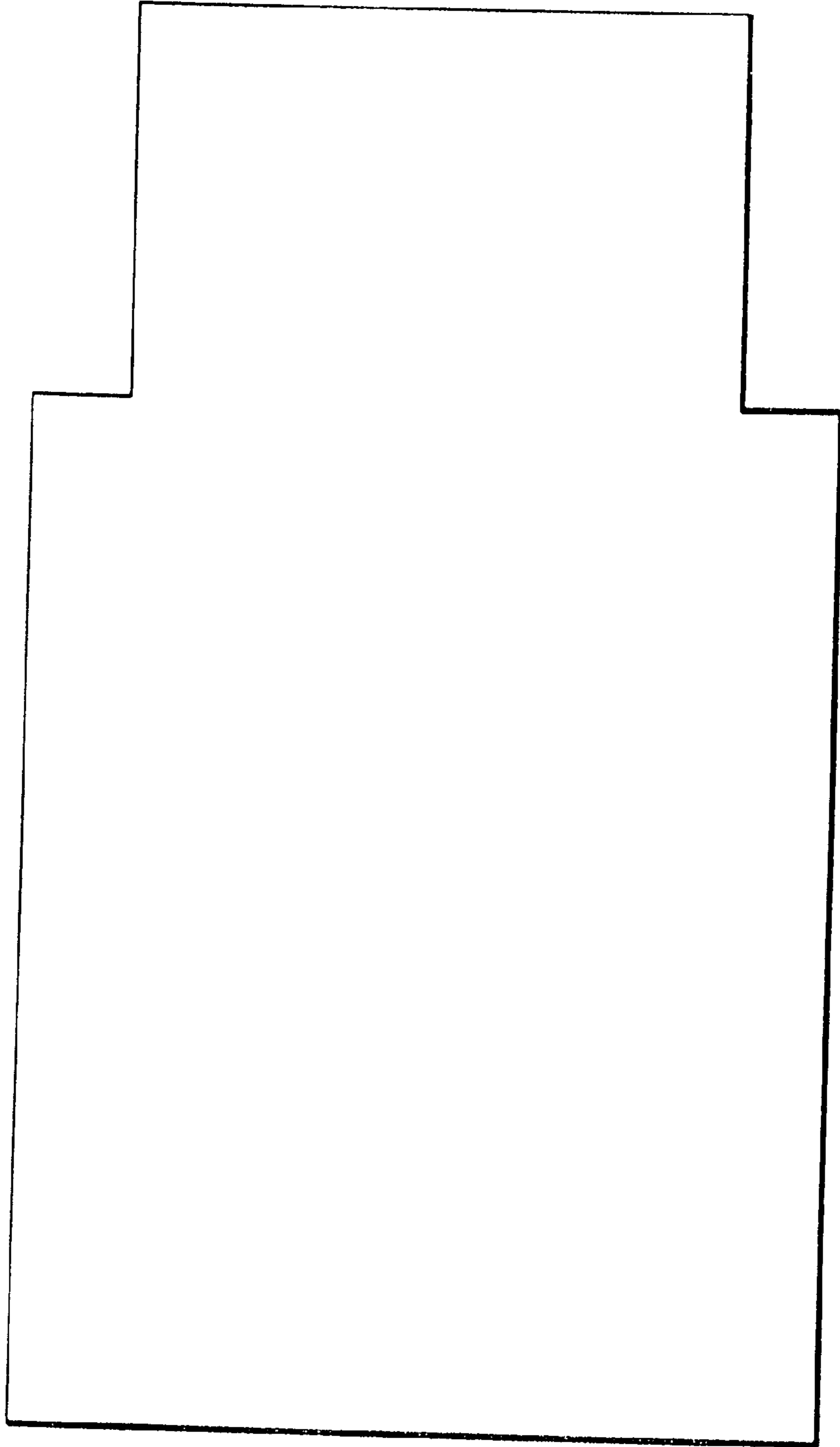


Fig. 7