



US00D436708S

(12) **United States Design Patent**
Whiteside

(10) **Patent No.:** **US D436,708 S**

(45) **Date of Patent:** **** Jan. 23, 2001**

(54) **SIDE RAILS OF A FRAME FOR A CREEPER**

(75) Inventor: **Kirt E. Whiteside**, Marion, OH (US)

(73) Assignee: **Whiteside Mfg. Co.**, Delaware, OH (US)

(**) Term: **14 Years**

(21) Appl. No.: **29/119,907**

(22) Filed: **Mar. 10, 2000**

(51) **LOC (7) Cl.** **12-02**

(52) **U.S. Cl.** **D34/27; D34/23**

(58) **Field of Search** **D34/12-27; 280/32.5, 280/32.6, 79.11, 79.2, 79.7**

(56) **References Cited**

U.S. PATENT DOCUMENTS

D. 396,920	8/1998	Whiteside et al.	D34/23
D. 398,433	9/1998	Whiteside et al.	D34/23
D. 401,714	11/1998	Whiteside et al.	D34/23
D. 401,715	11/1998	Whiteside et al.	D34/23
D. 403,822	1/1999	Whiteside et al.	D34/23
D. 406,683 *	3/1999	Taylor et al.	D34/23
5,330,209	7/1994	Pool	280/32.6

OTHER PUBLICATIONS

Performance Tool Product Catalog, Wilmar Corporation, 2 pages, (1996).

* cited by examiner

Primary Examiner—Kay H. Chin

(74) *Attorney, Agent, or Firm*—Renner, Kenner, Greive, Bobak, Taylor & Weber

(57) **CLAIM**

The ornamental design for side rails of a frame for a creeper, as shown and described.

DESCRIPTION

FIG. 1 is a top, right side, front perspective view of a frame for a creeper showing my new design;

FIG. 2 is a top plan view thereof;

FIG. 3 is a bottom plan view thereof;

FIG. 4 is a left side elevational view thereof, the right side being a mirror image of FIG. 4;

FIG. 5 is a rear elevational view thereof; and,

FIG. 6 is a front elevational view thereof.

FIG. 7 is a top, right side, front perspective view of a second embodiment of the frame for a creeper showing my new design;

FIG. 8 is a top plan view thereof;

FIG. 9 is a bottom plan view thereof;

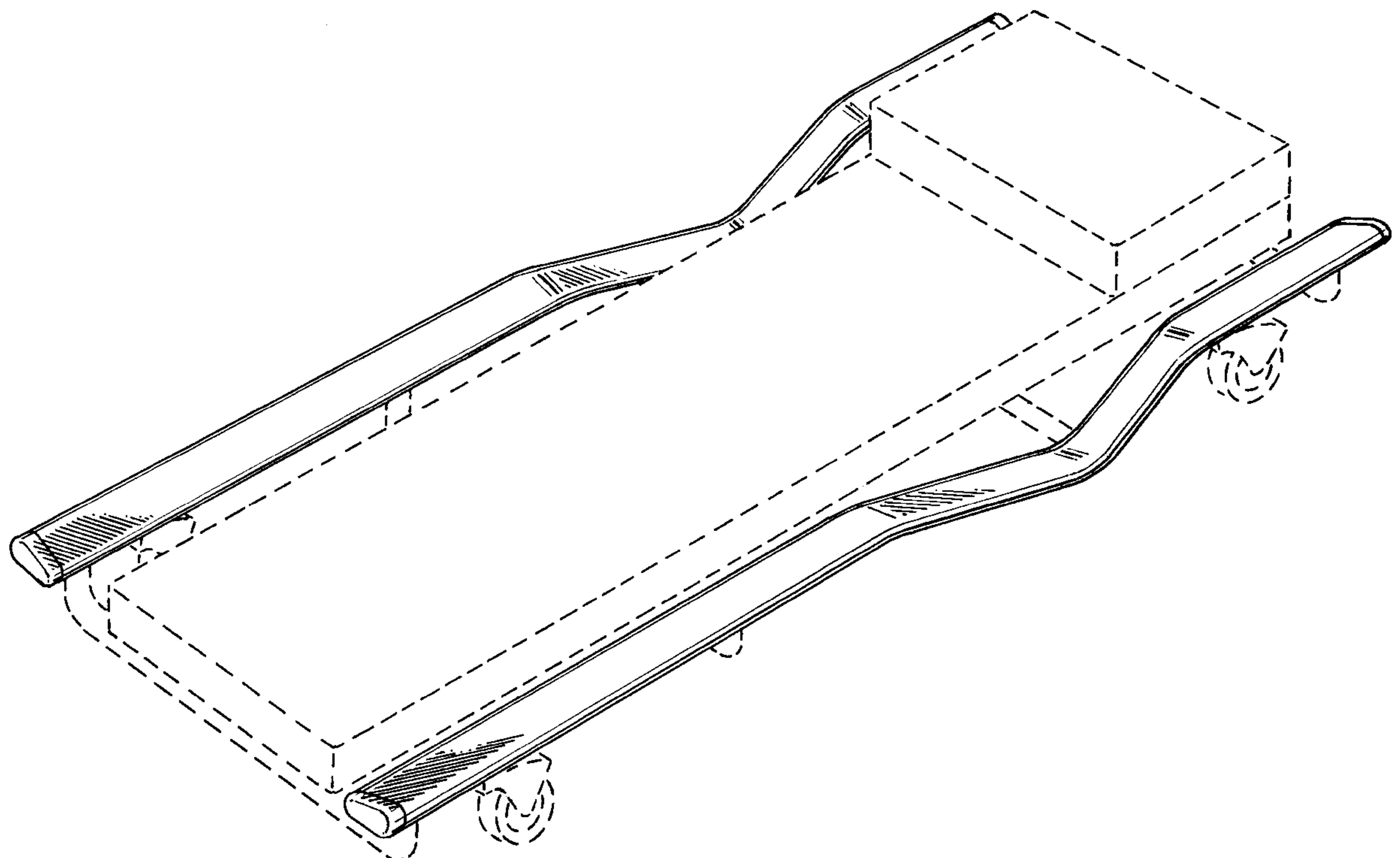
FIG. 10 is a left side elevational view thereof, the right side being a mirror image of FIG. 10;

FIG. 11 is a rear elevational view thereof; and,

FIG. 12 is a front elevational view thereof.

The portions of the creeper shown in dotted lines are not part of the claimed design.

1 Claim, 8 Drawing Sheets



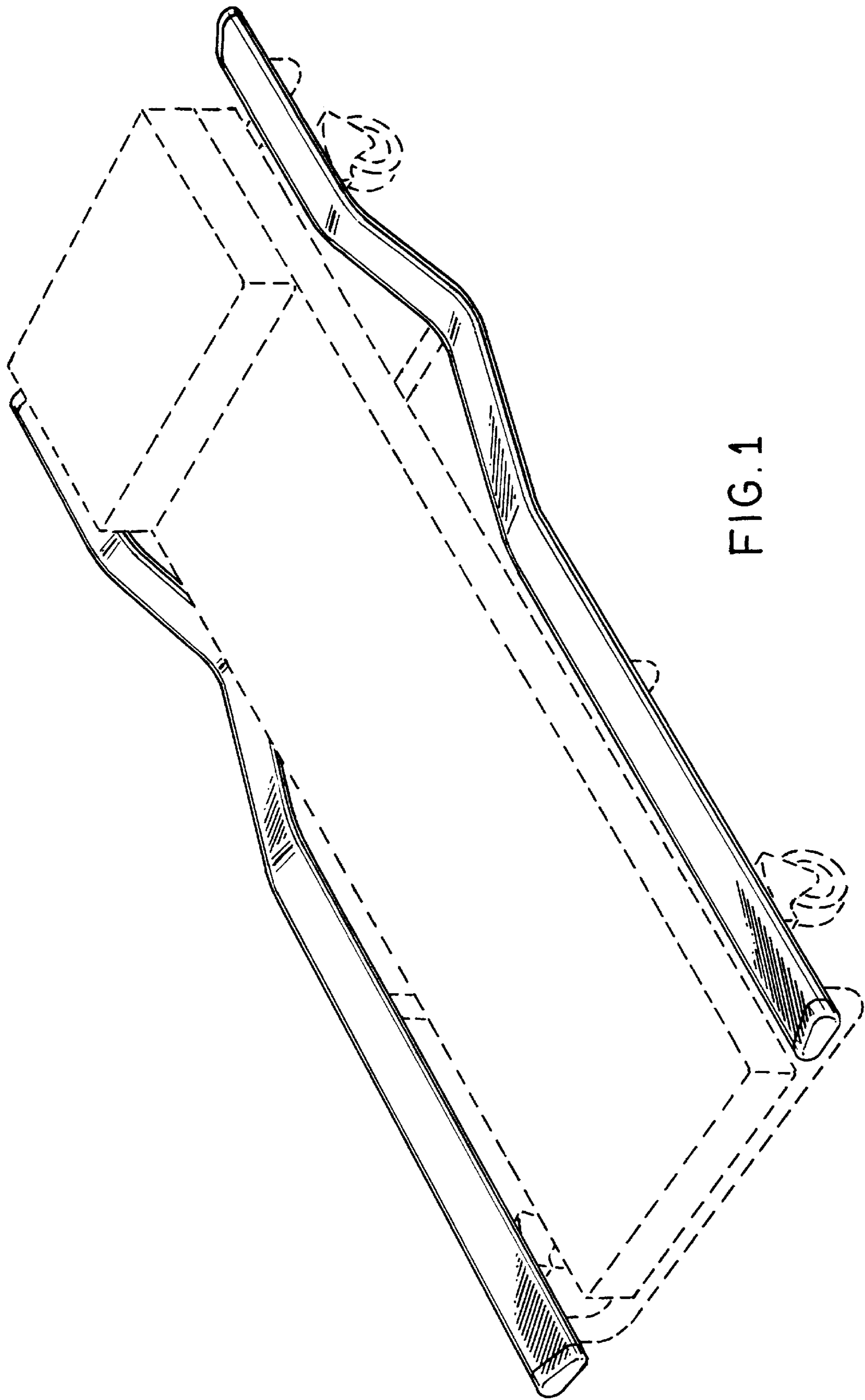


FIG. 1

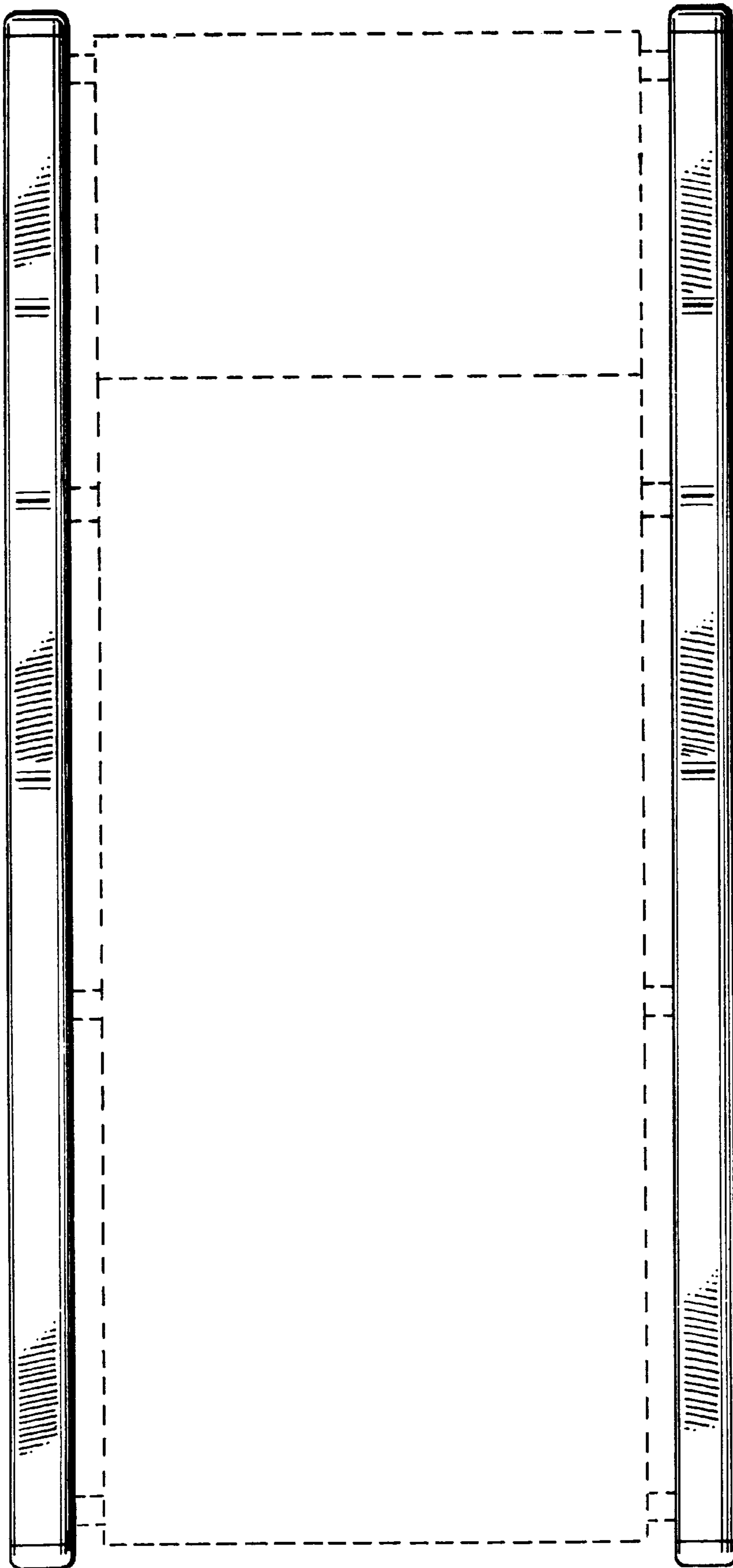


FIG. 2

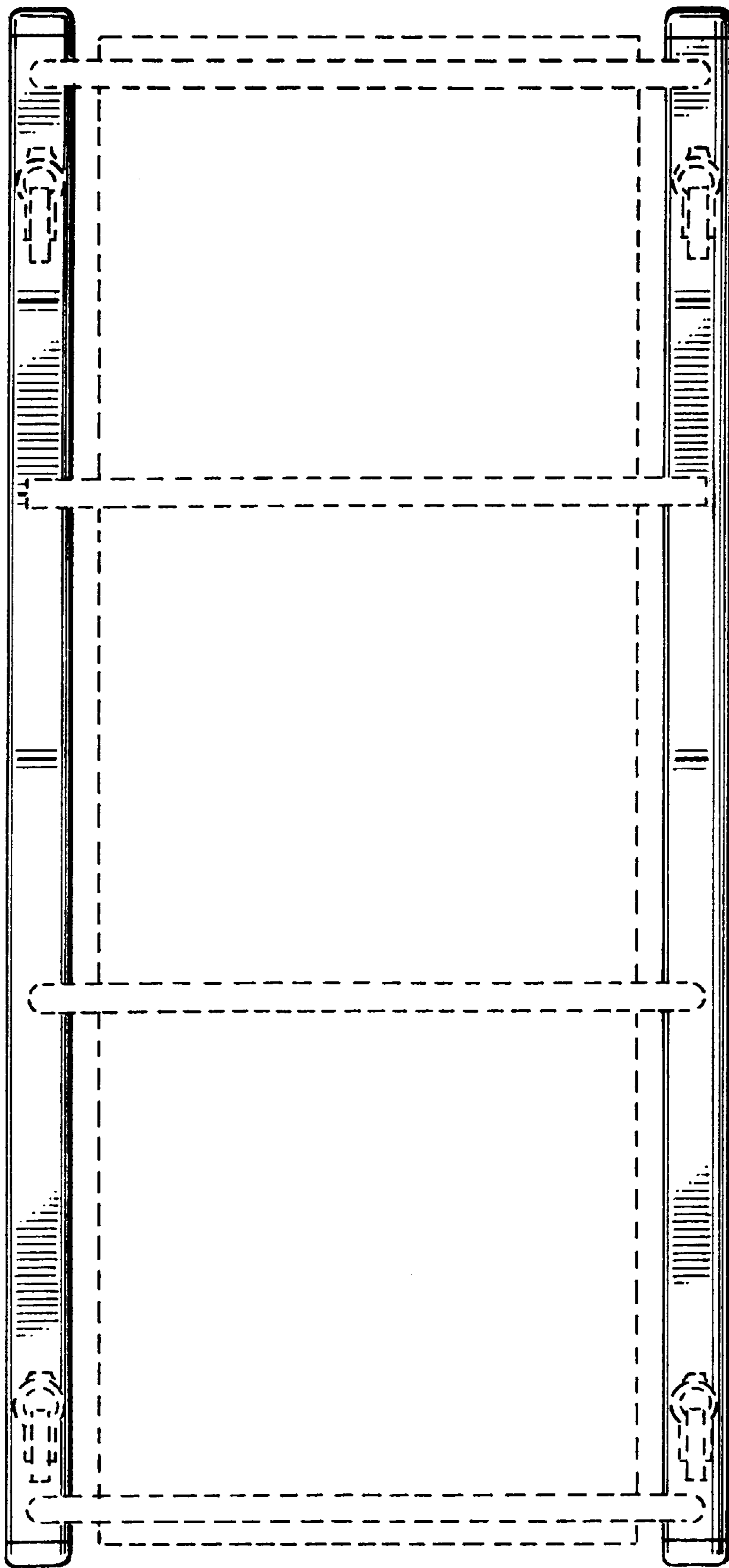


FIG. 3

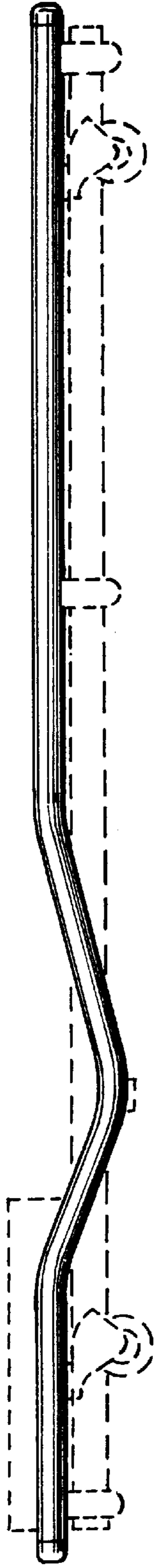


FIG. 4



FIG. 5

FIG. 6

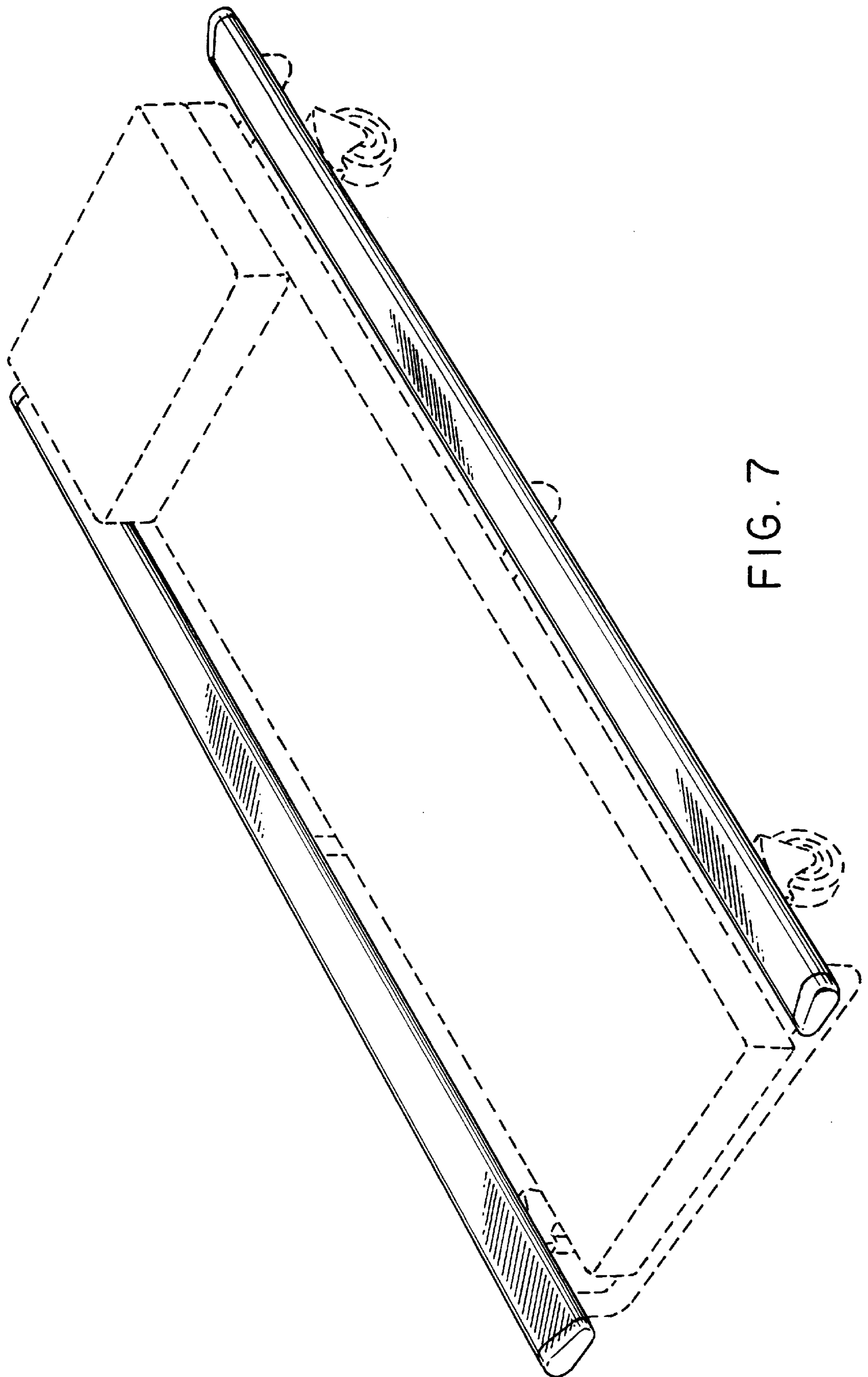


FIG. 7

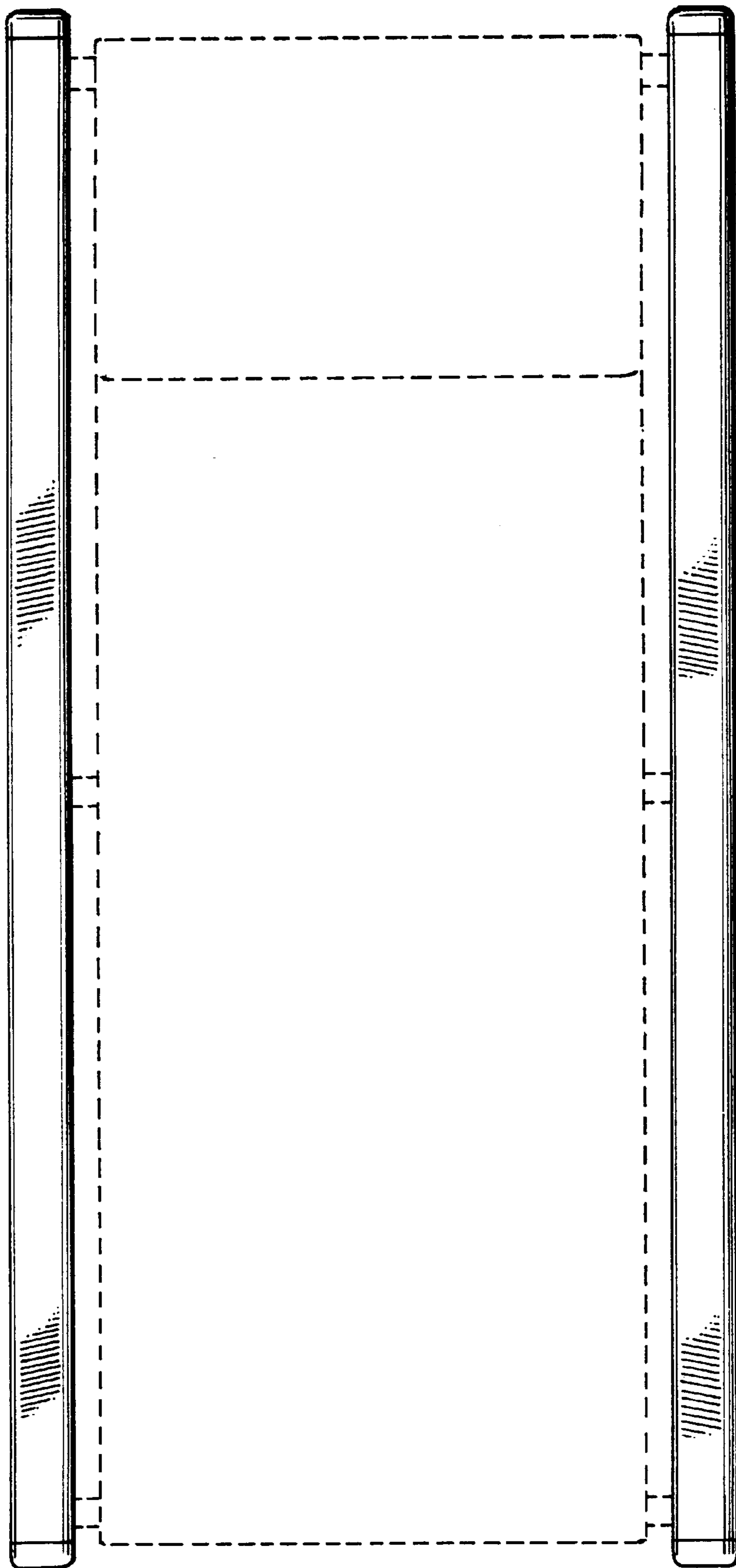


FIG. 8

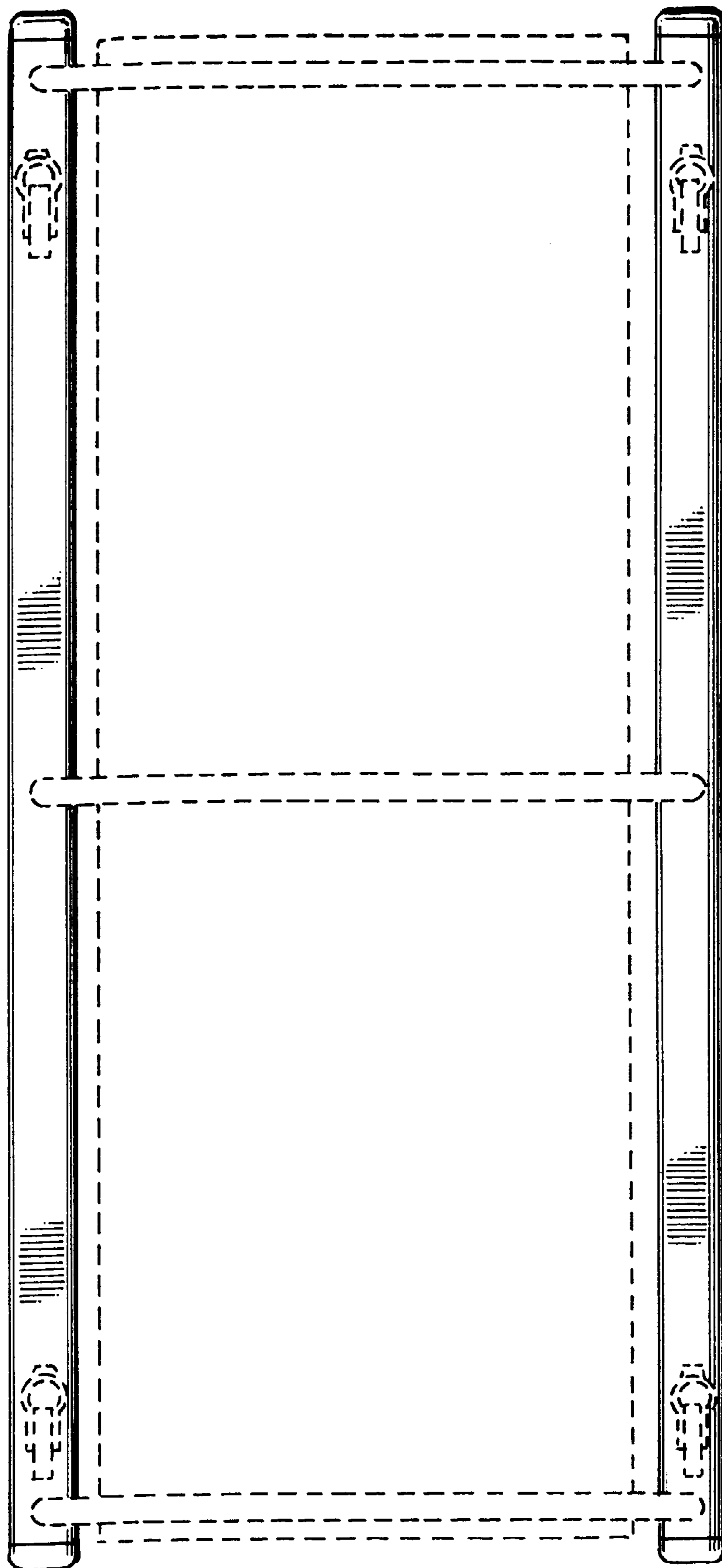


FIG. 9

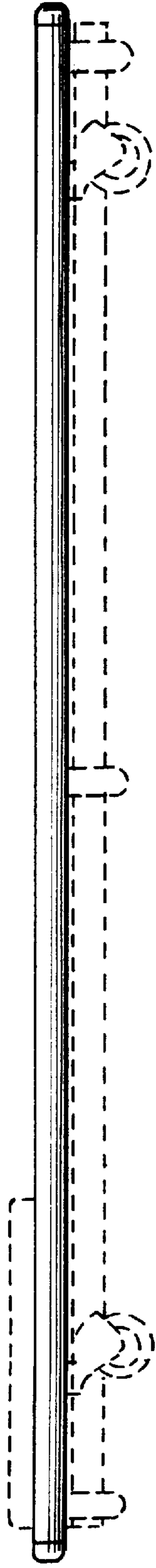


FIG. 10



FIG. 11

FIG. 12