



US00D436707S

(12) **United States Design Patent**
Liao

(10) **Patent No.:** **US D436,707 S**

(45) **Date of Patent:** **** Jan. 23, 2001**

(54) **GOLF CART**

6,120,053 * 9/2000 DeAngelis 280/641

(75) Inventor: **Gordon Liao, Yung Kang (TW)**

* cited by examiner

(73) Assignee: **Unique Product & Design Co., LTD,**
Tainan Hsien (TW)

Primary Examiner—Kay H. Chin

(74) *Attorney, Agent, or Firm*—Pro-Techtor International
Services

(**) Term: **14 Years**

(57) **CLAIM**

(21) Appl. No.: **29/125,020**

The ornamental design for a golf cart, as shown and
described.

(22) Filed: **Jun. 15, 2000**

(51) **LOC (7) Cl.** **12-02**

(52) **U.S. Cl.** **D34/15**

(58) **Field of Search** D34/12-27; 280/DIG. 5,
280/DIG. 6; 180/19.3, 19.1, 215, 216, 907

DESCRIPTION

FIG. 1 is a perspective view of a golf cart showing my new
design;

FIG. 2 is a right side elevational view thereof;

FIG. 3 is a top plan view thereof;

FIG. 4 is a front elevational view thereof;

FIG. 5 is a bottom plan view thereof;

FIG. 6 is a left side elevational view thereof; and,

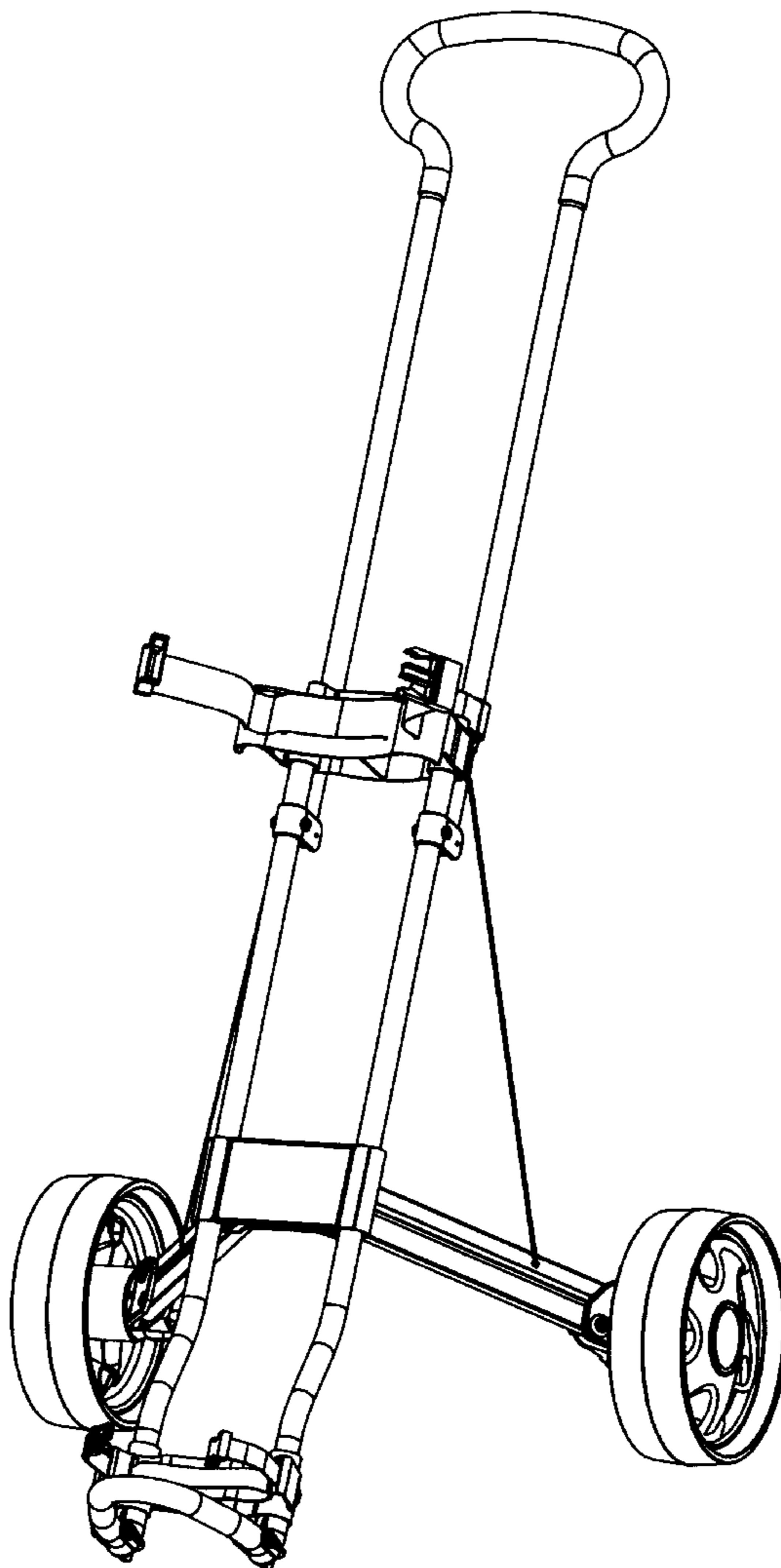
FIG. 7 is a rear elevational view.

(56) **References Cited**

U.S. PATENT DOCUMENTS

- D. 423,746 * 4/2000 Liao D34/15
- 5,427,403 * 6/1995 Hsiao 280/646
- 6,099,024 * 8/2000 Liao 280/655

1 Claim, 7 Drawing Sheets



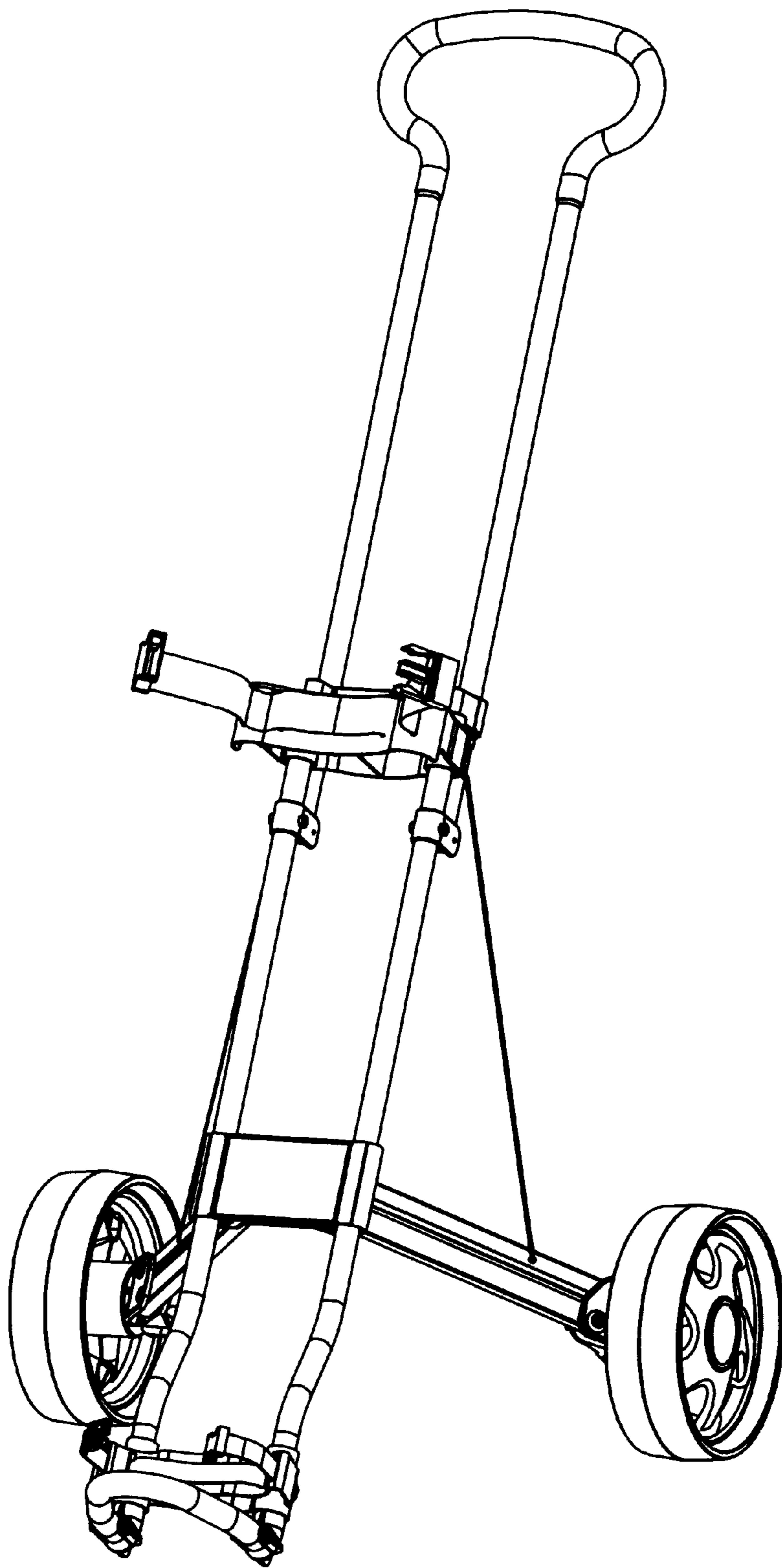


FIG. 1

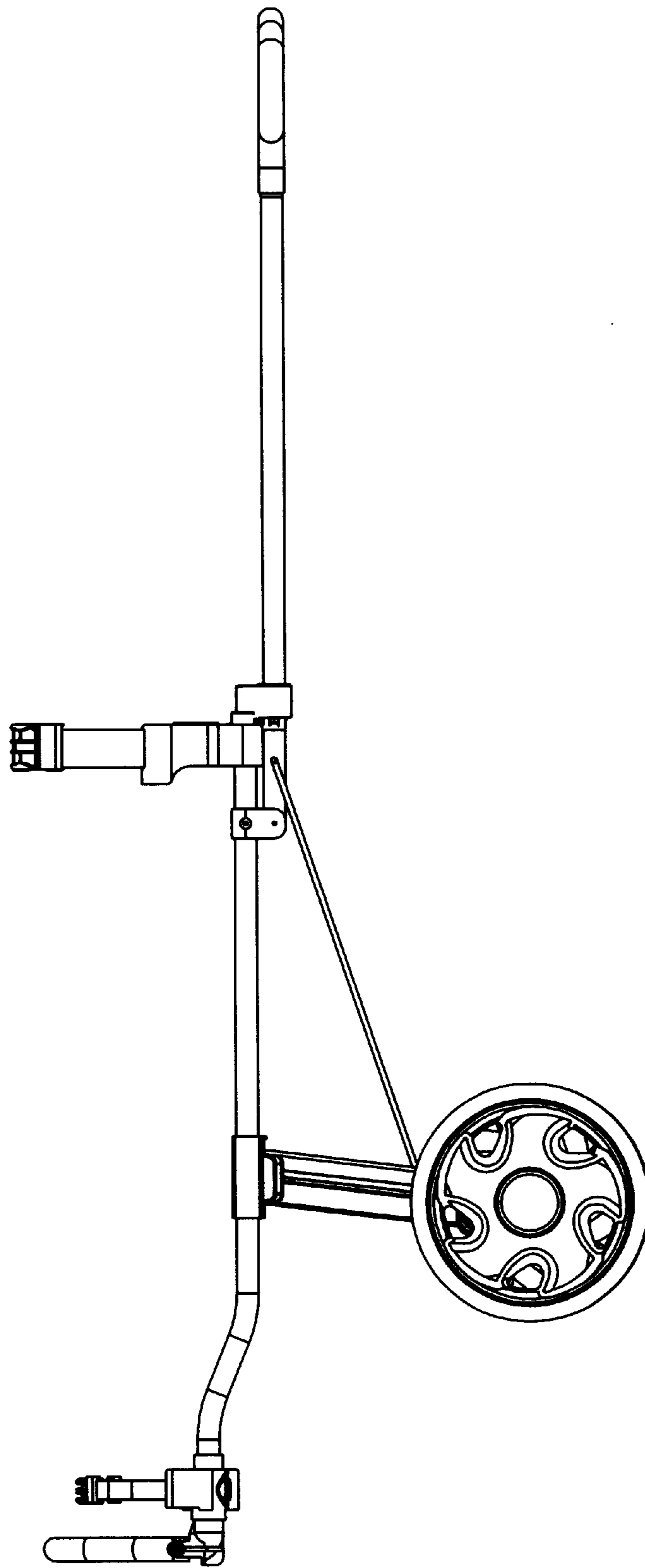


FIG. 2

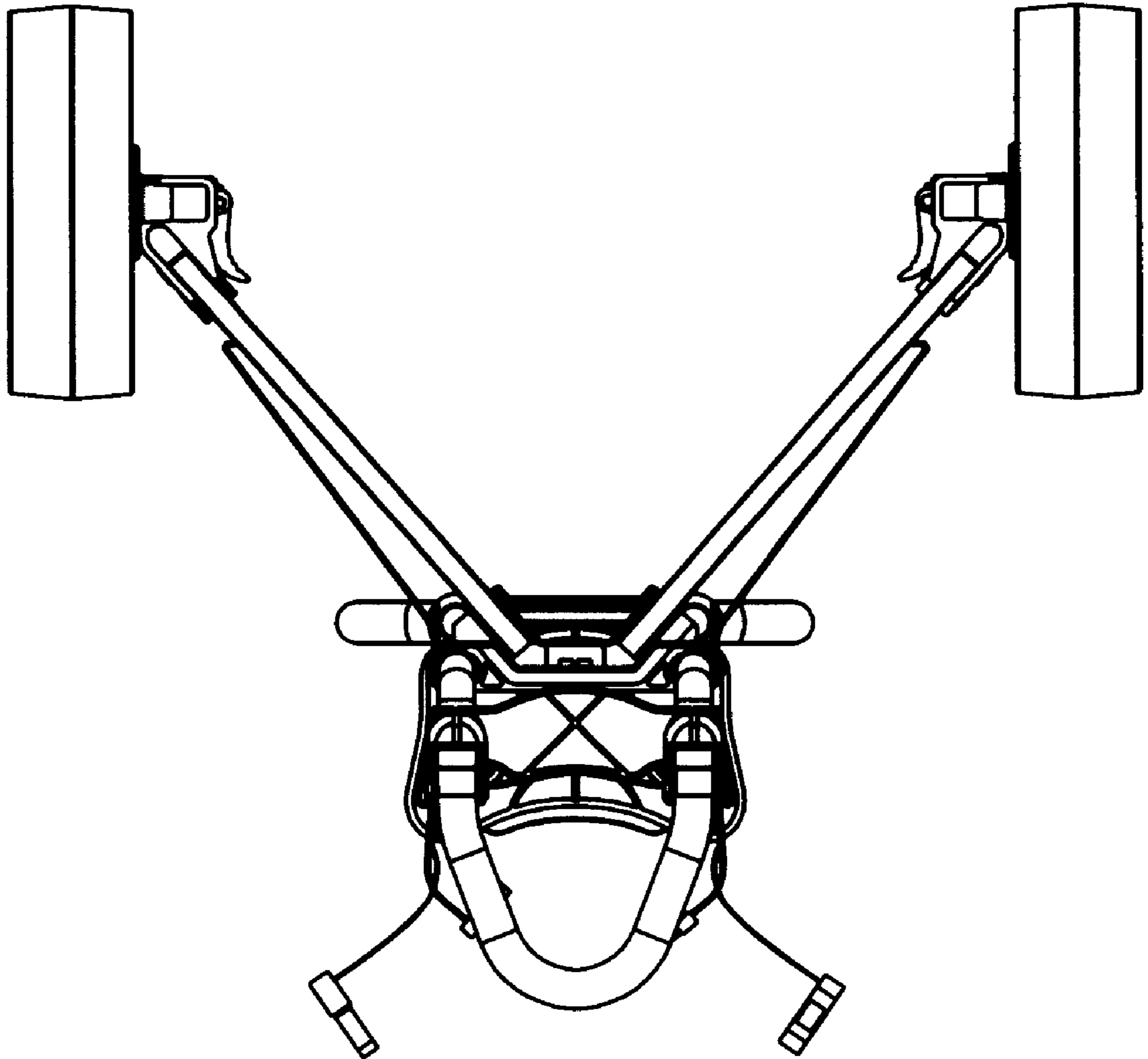


FIG. 3

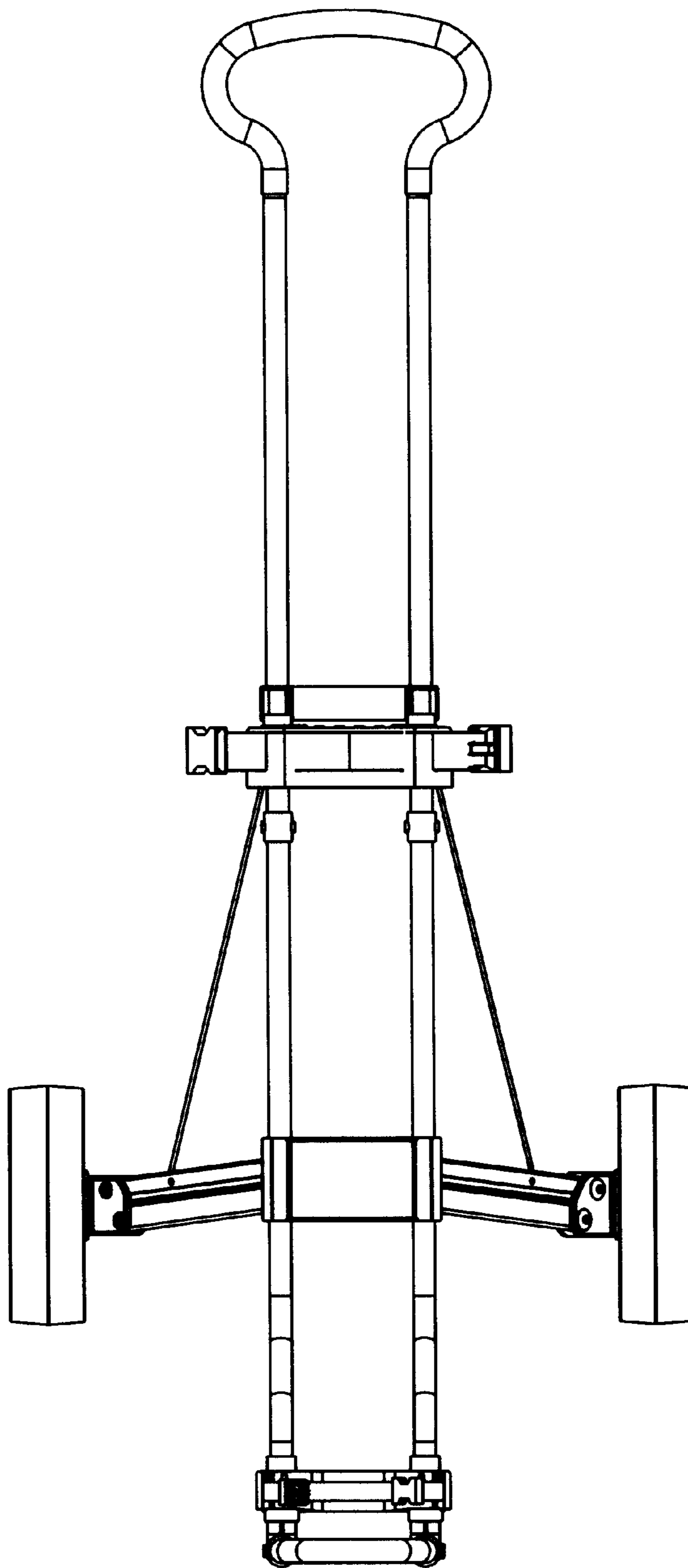


FIG. 4

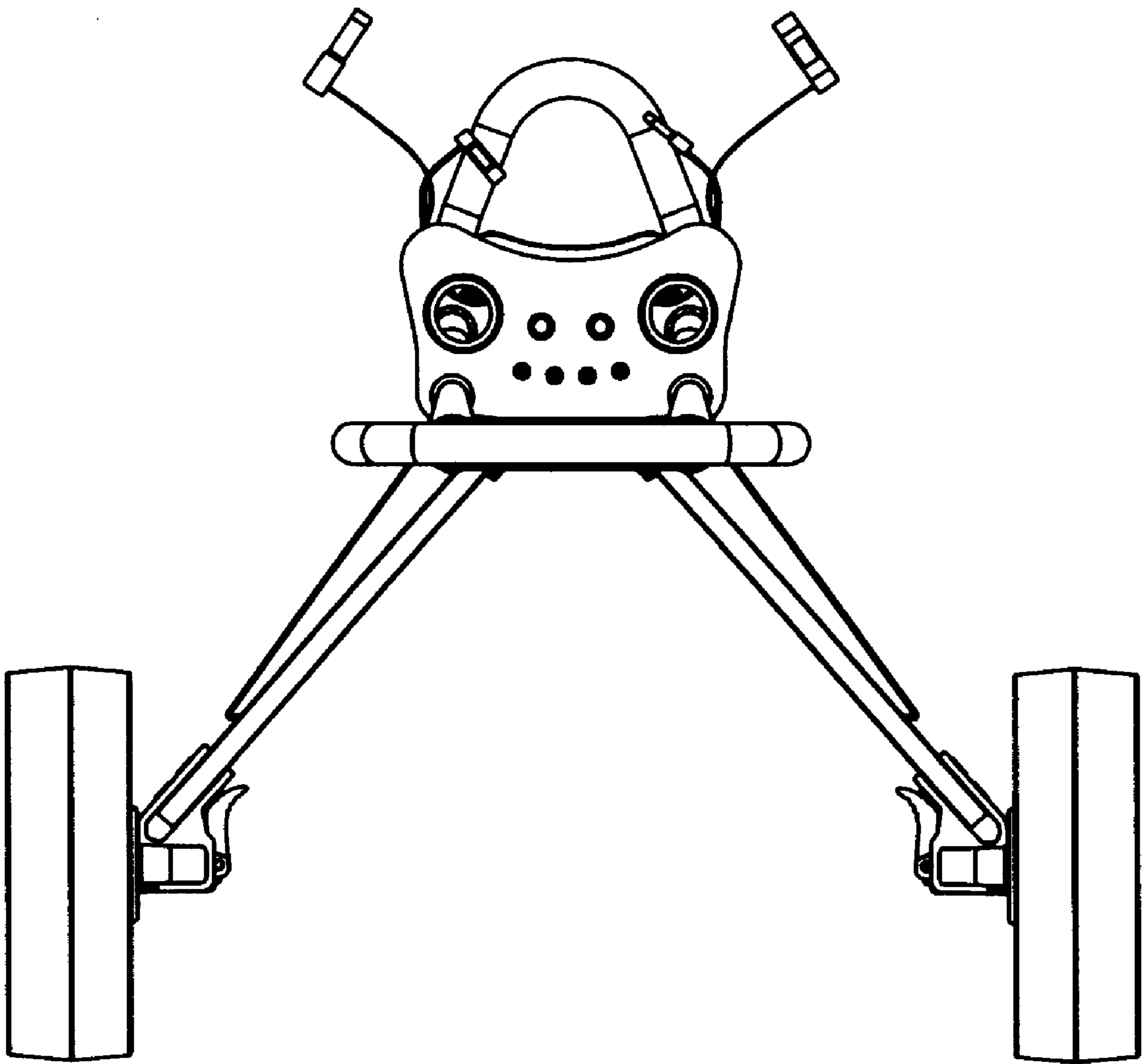


FIG. 5

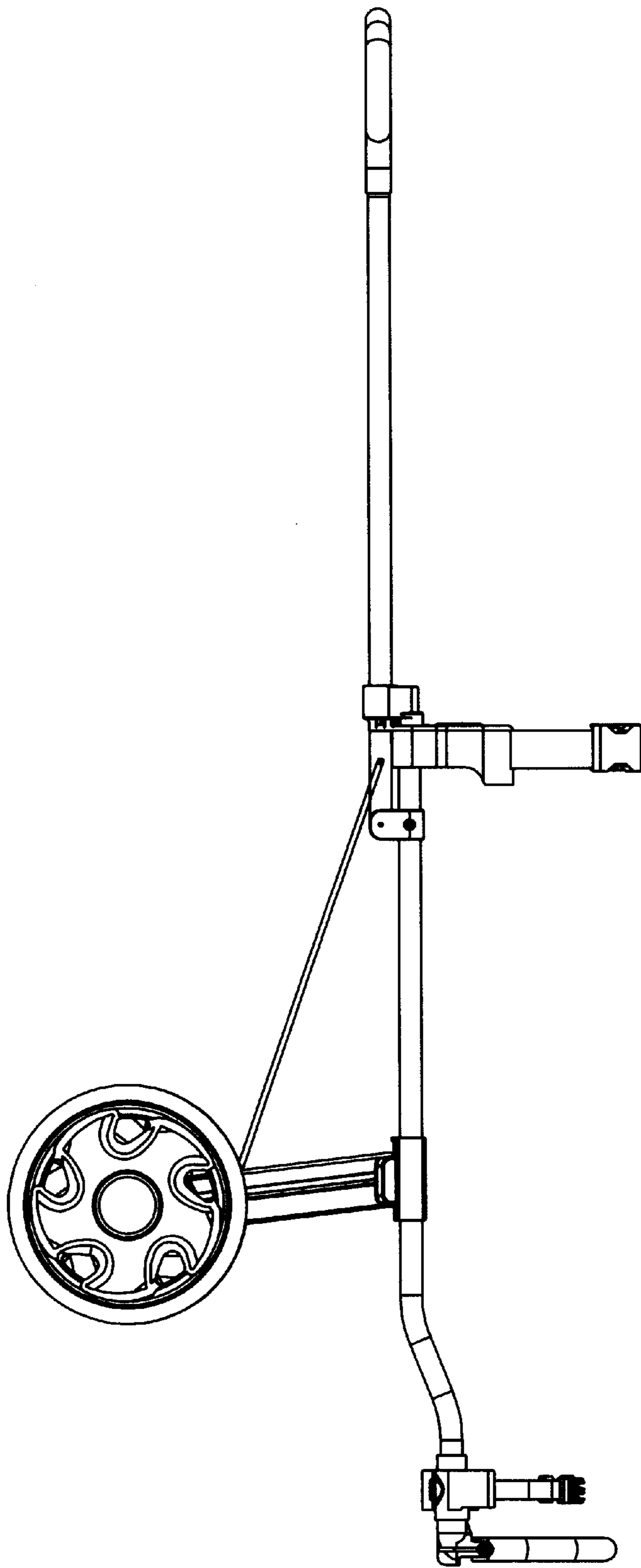


FIG. 6

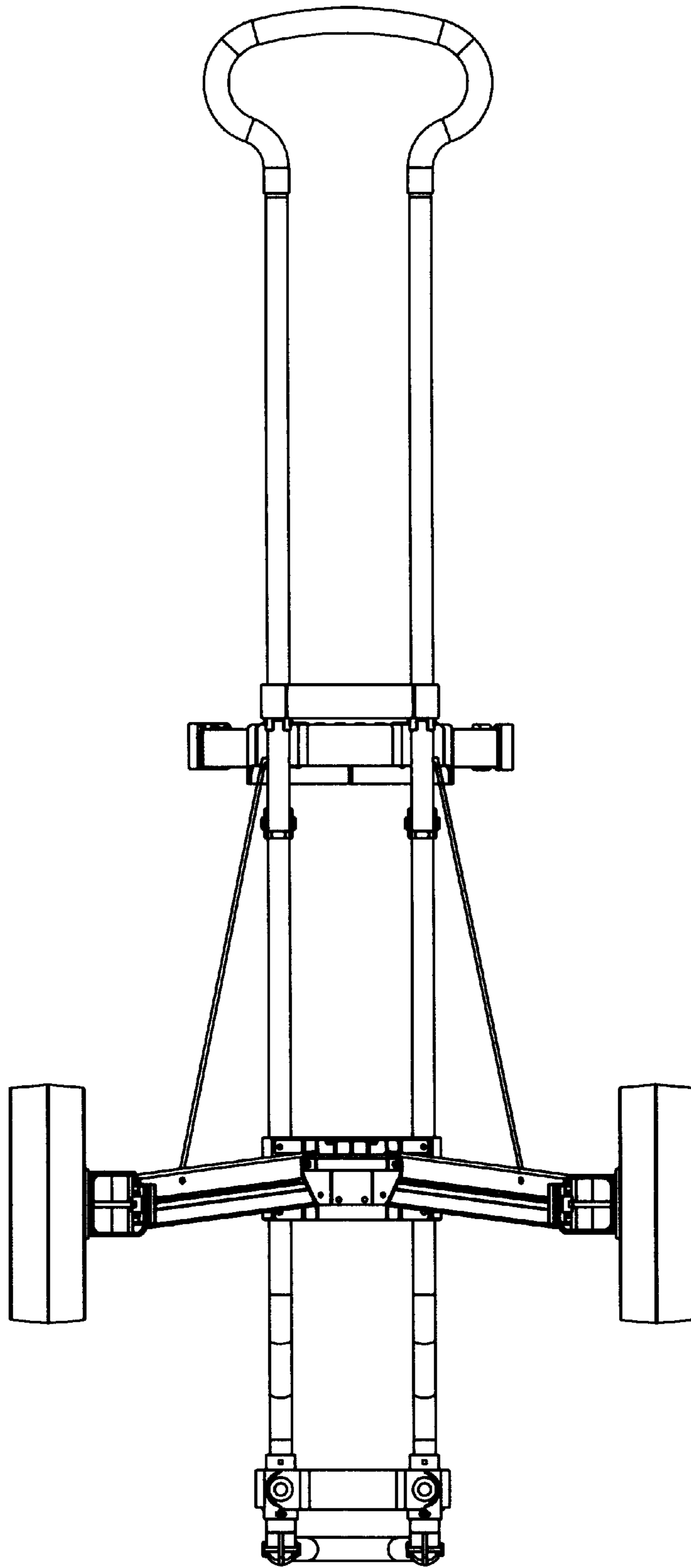


FIG. 7