



US00D436699S

(12) **United States Design Patent**
Makihara et al.

(10) **Patent No.:** **US D436,699 S**

(45) **Date of Patent:** **** Jan. 23, 2001**

(54) **VACUUM CLEANER**

(75) Inventors: **Kendoh Makihara**, Nara-ken;
Nobuhiro Fujii, Osaka-fu, both of (JP)

(73) Assignee: **Sharp Kabushiki Kaisha**, Osaka (JP)

(**) Term: **14 Years**

(21) Appl. No.: **29/122,582**

(22) Filed: **May 1, 2000**

(30) **Foreign Application Priority Data**

Nov. 25, 1999 (JP) 11-32651

(51) **LOC (7) Cl.** **15-05**

(52) **U.S. Cl.** **D32/22**

(58) **Field of Search** D32/22, 25, 31-33;
15/347, 350, 352, 353, 337, 320-322, 379,
400, 415.1-422.1, 331, 334

(56) **References Cited**

U.S. PATENT DOCUMENTS

- D. 220,970 * 6/1971 Rawson, Jr. et al. D32/22
- D. 328,165 * 7/1992 Ferrari et al. D32/22

- D. 359,604 * 6/1995 Sovis et al. D32/22
- D. 382,681 * 8/1997 Thomas D32/22
- D. 398,099 * 9/1998 Leung D32/22
- D. 418,266 * 12/1999 Medema et al. D32/22
- D. 419,731 * 1/2000 Bates et al. D32/22
- 5,392,490 * 2/1995 Monson 15/320

* cited by examiner

Primary Examiner—Ruth McInroy

(74) *Attorney, Agent, or Firm*—Nixon & Vanderhye

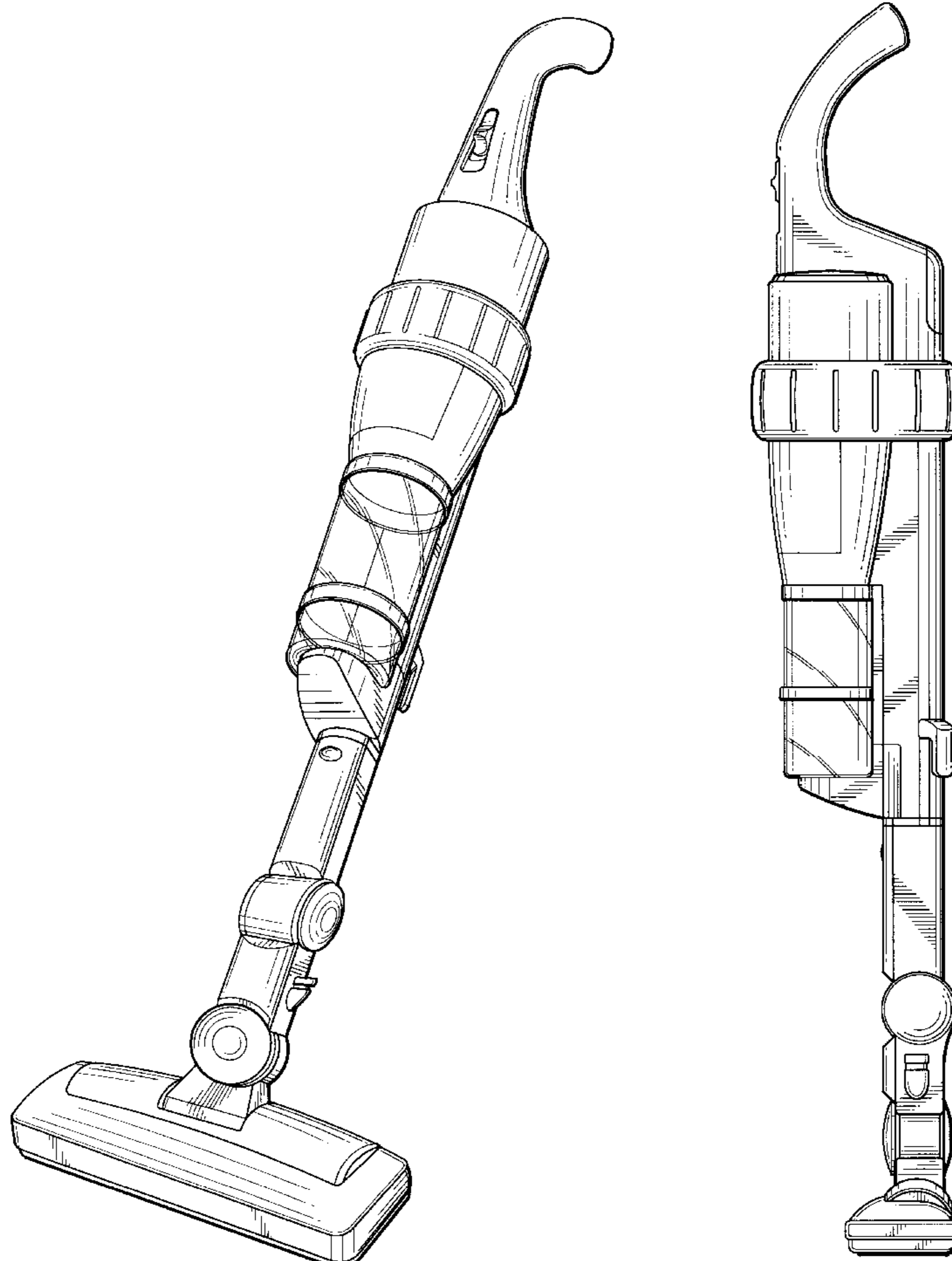
(57) **CLAIM**

The ornamental design for a vacuum cleaner, as shown and described.

DESCRIPTION

FIG. 1 is a top, front and right side perspective view of a vacuum cleaner showing our new design;
 FIG. 2 is a top plan view thereof;
 FIG. 3 is a bottom plan view thereof;
 FIG. 4 is a front elevational view thereof;
 FIG. 5 is a right side elevational view thereof;
 FIG. 6 is a left side elevational view thereof; and,
 FIG. 7 is a rear elevational view thereof.

1 Claim, 6 Drawing Sheets



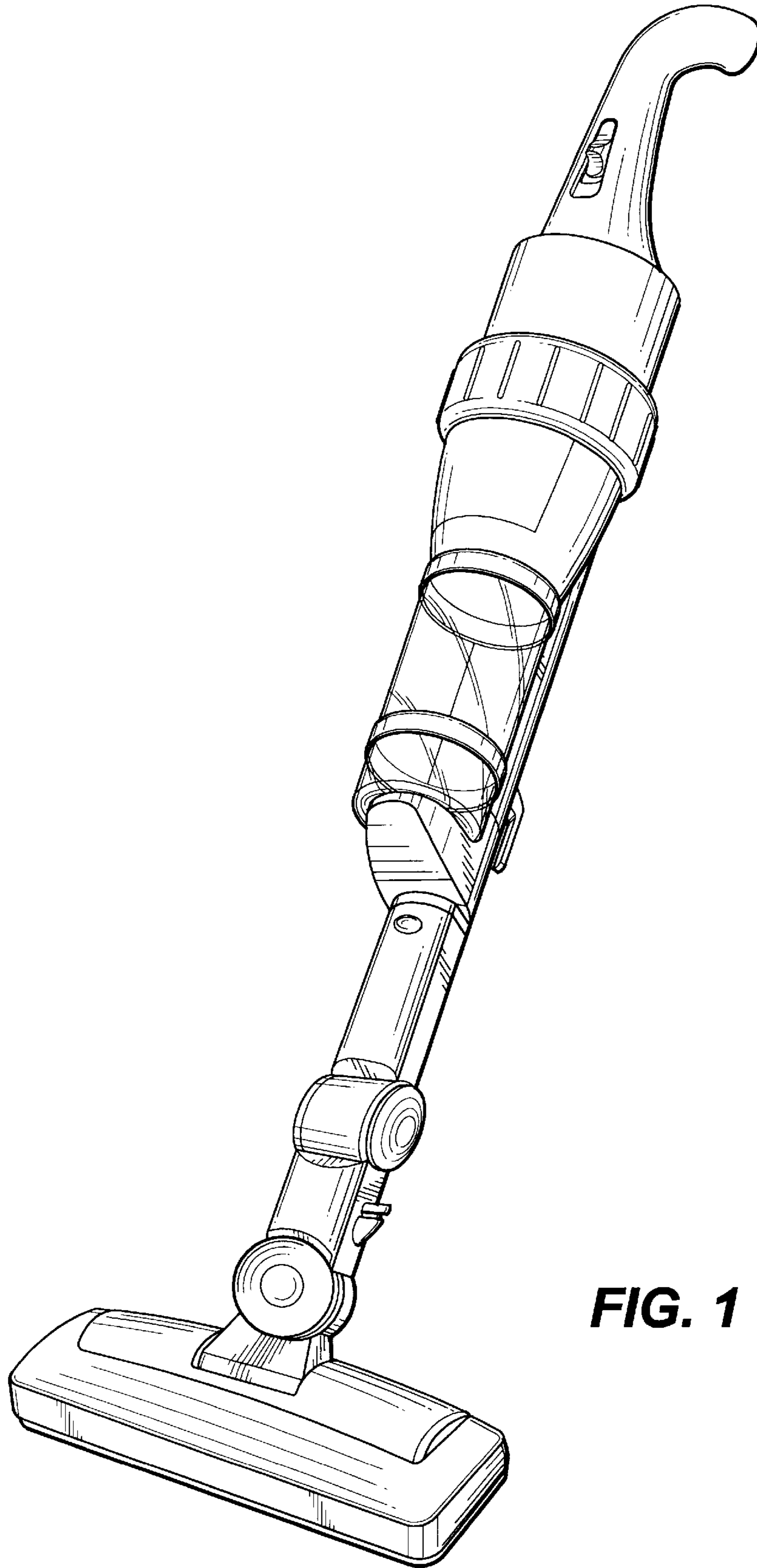


FIG. 1

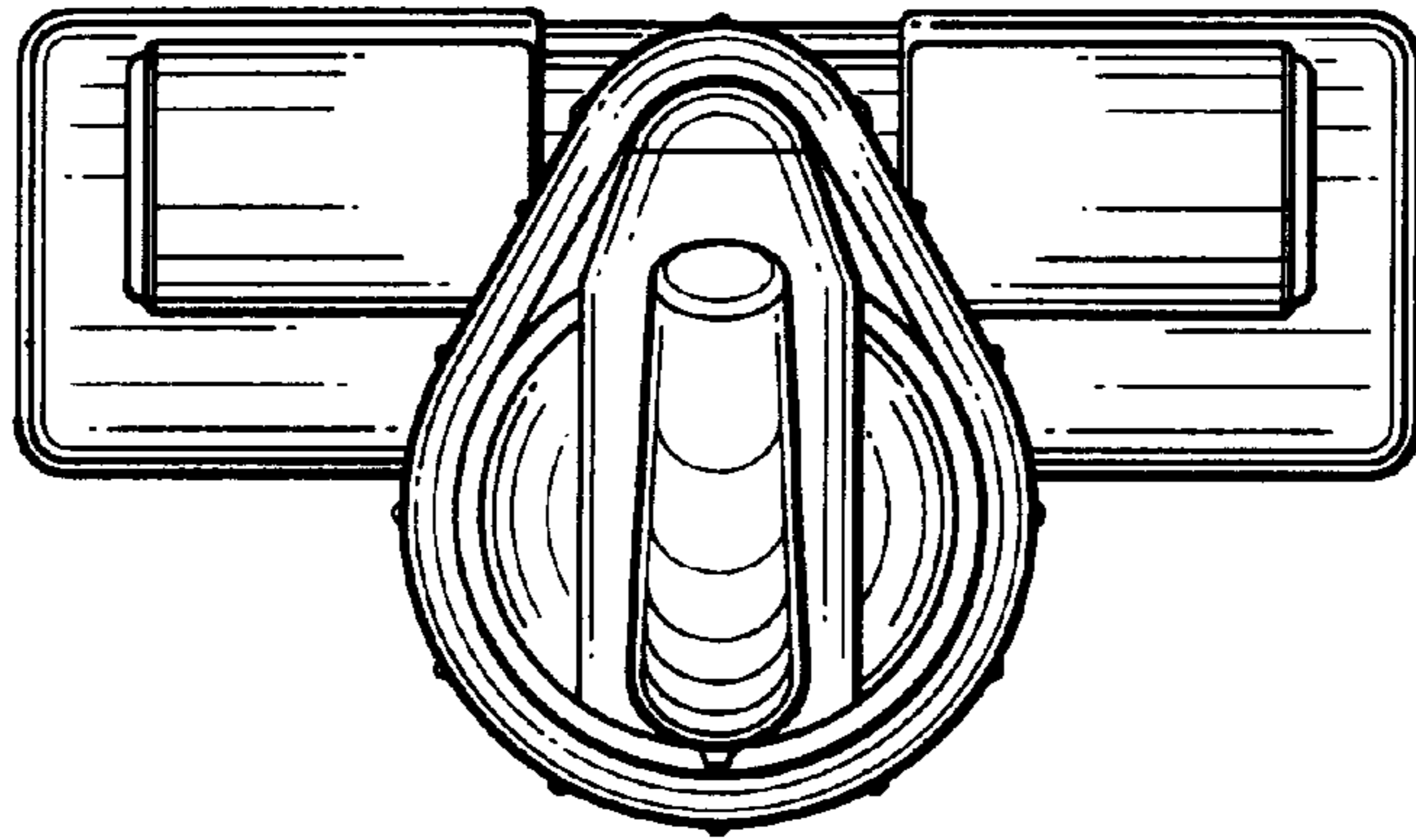


FIG. 2

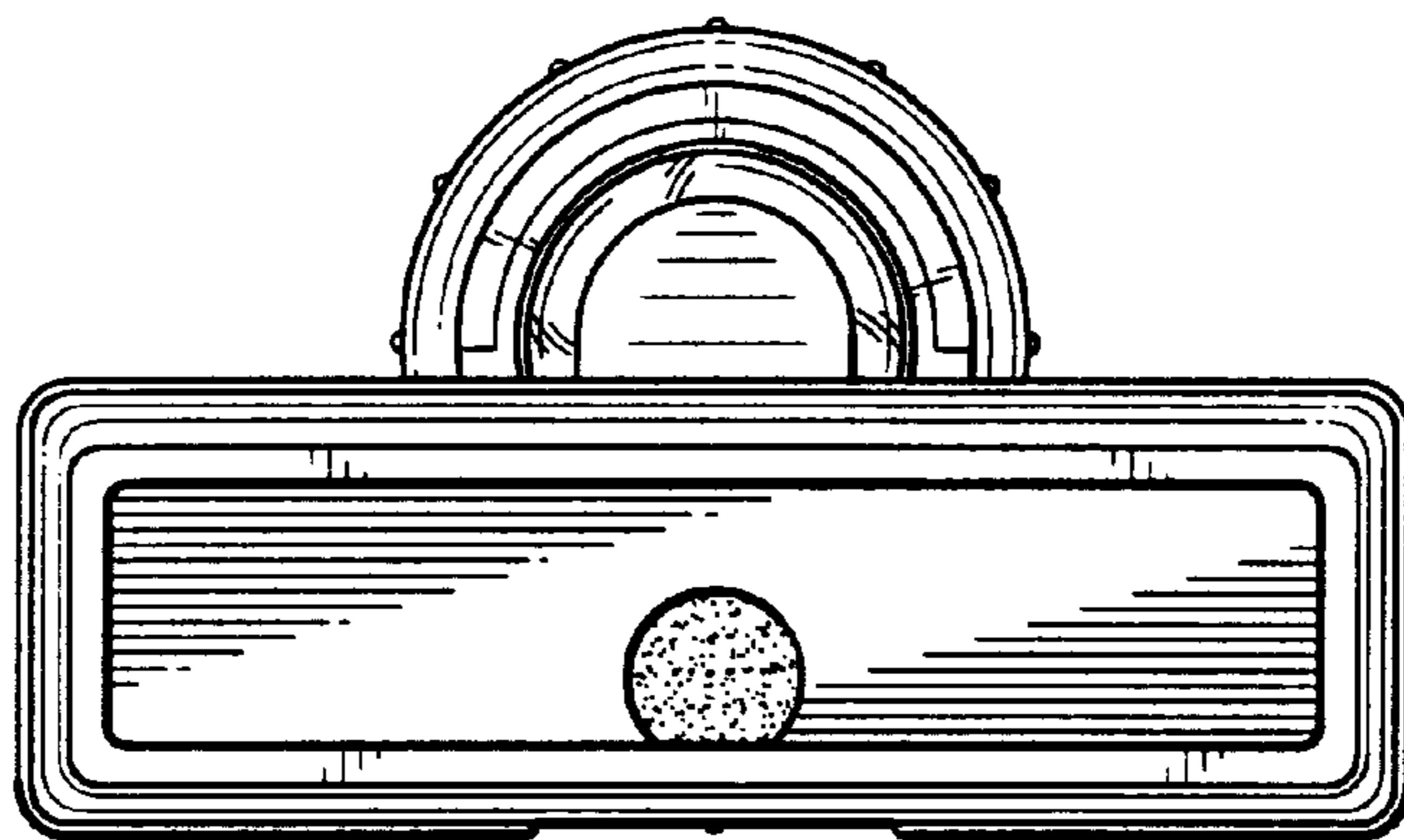


FIG. 3

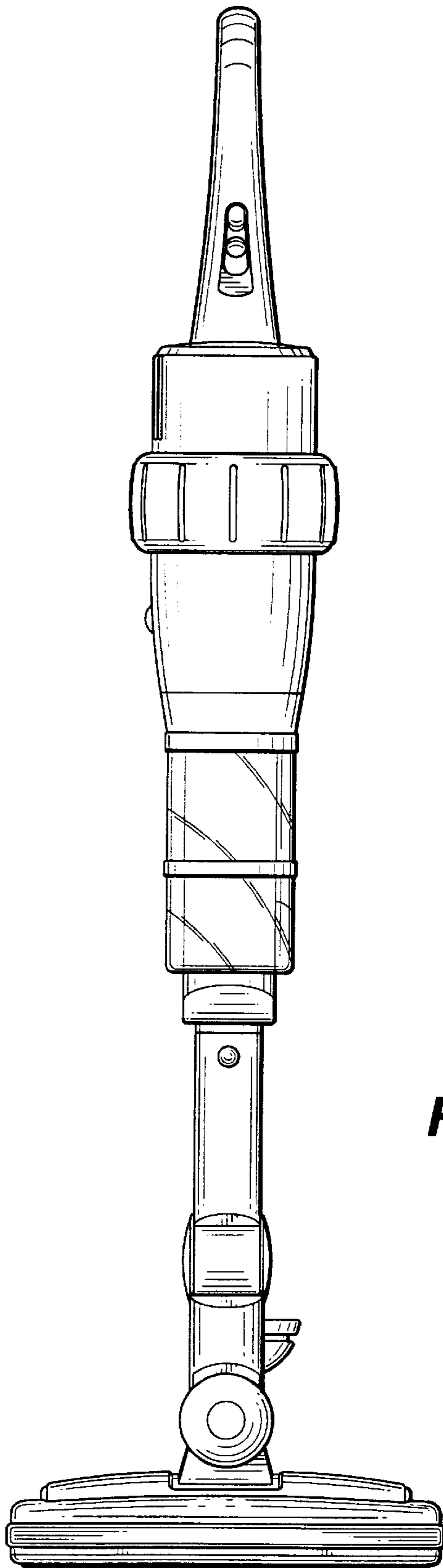


FIG. 4

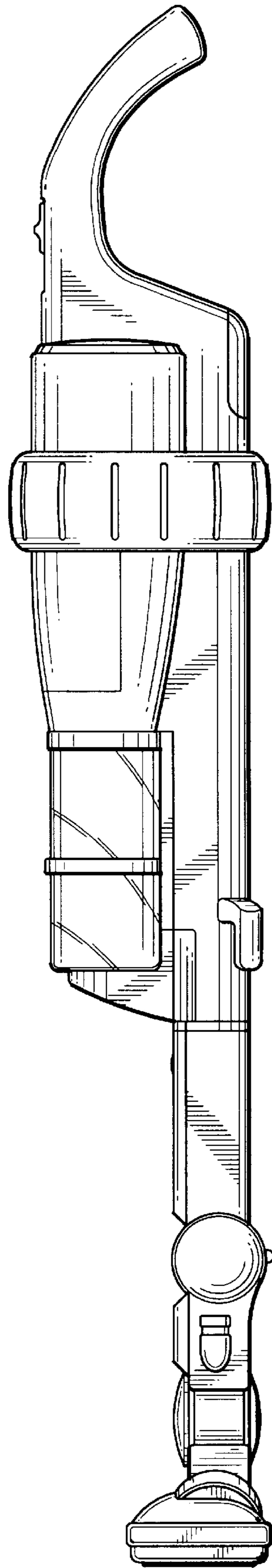


FIG. 5

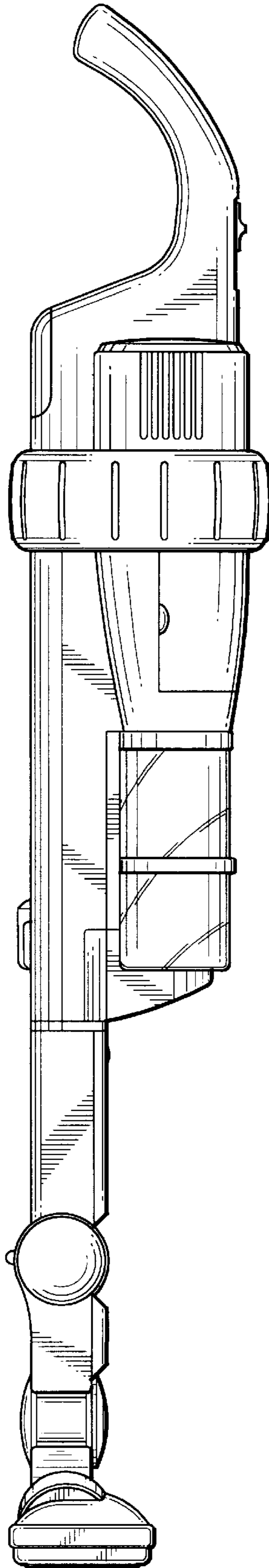


Fig. 6

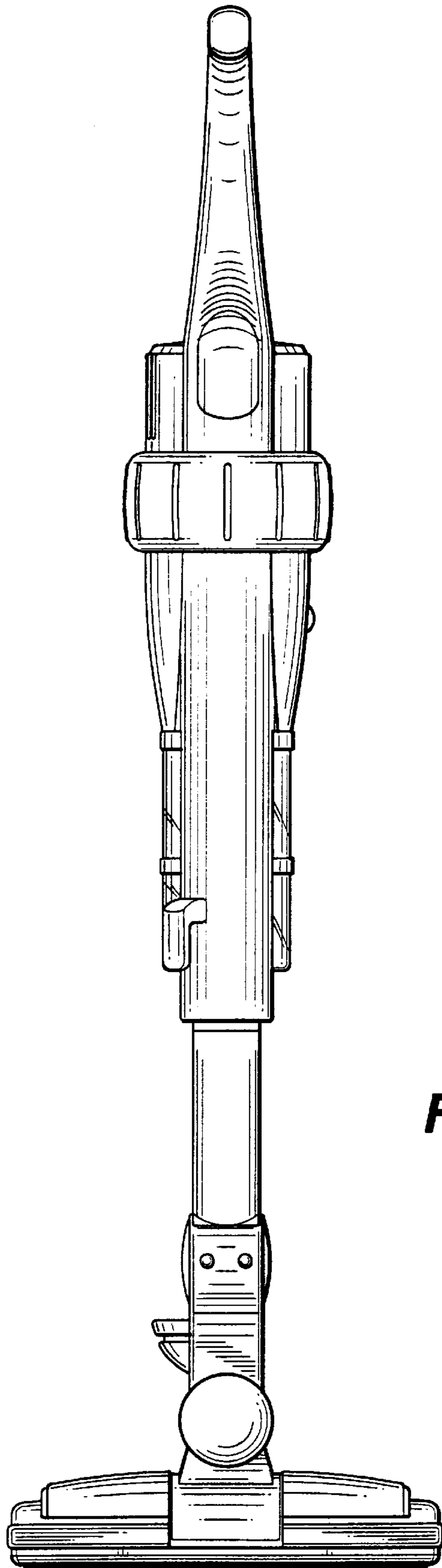


FIG. 7