



US00D436691S

(12) **United States Design Patent**
Kwiecien et al.

(10) **Patent No.:** **US D436,691 S**

(45) **Date of Patent:** **** Jan. 23, 2001**

(54) **SHAVING AID STRIP FOR A RAZOR CARTRIDGE**

FOREIGN PATENT DOCUMENTS

1481271 * 5/1967 (FR) 30/41

(75) Inventors: **Michael J. Kwiecien**, Scituate; **Vincent P. Walker, Jr.**, Bridgewater, both of MA (US)

* cited by examiner

Primary Examiner—Catherine Tuttle

(73) Assignee: **The Gillette Company**, Boston, MA (US)

(74) *Attorney, Agent, or Firm*—Stephan P. Williams

(**) Term: **14 Years**

(57) **CLAIM**

The ornamental design for a shaving aid strip for a razor cartridge, as shown and described.

(21) Appl. No.: **29/118,979**

DESCRIPTION

(22) Filed: **Feb. 18, 2000**

(51) **LOC (7) Cl.** **28-03**

(52) **U.S. Cl.** **D28/47**

(58) **Field of Search** D28/44, 45, 46, D28/47; 30/32, 34.05, 34.2, 41, 41.7, 47-51, 538, 346.58, 346.59

FIG. 1 is a perspective view of a shaving aid strip for a razor cartridge showing our new design;

FIG. 2 is a side elevation view thereof, the other side elevation view being a mirror image thereof;

FIG. 3 is a top plan view thereof;

FIG. 4 is a front elevation view thereof;

FIG. 5 is a rear elevation view thereof;

FIG. 6 is a side elevation view of a second embodiment of the shaving aid strip of FIG. 1, the other side elevation view being a mirror image thereof; and,

FIG. 7 is a top plan view of the shaving aid strip of FIG. 6.

The broken line which defines the lower boundary of the claimed design forms no part thereof.

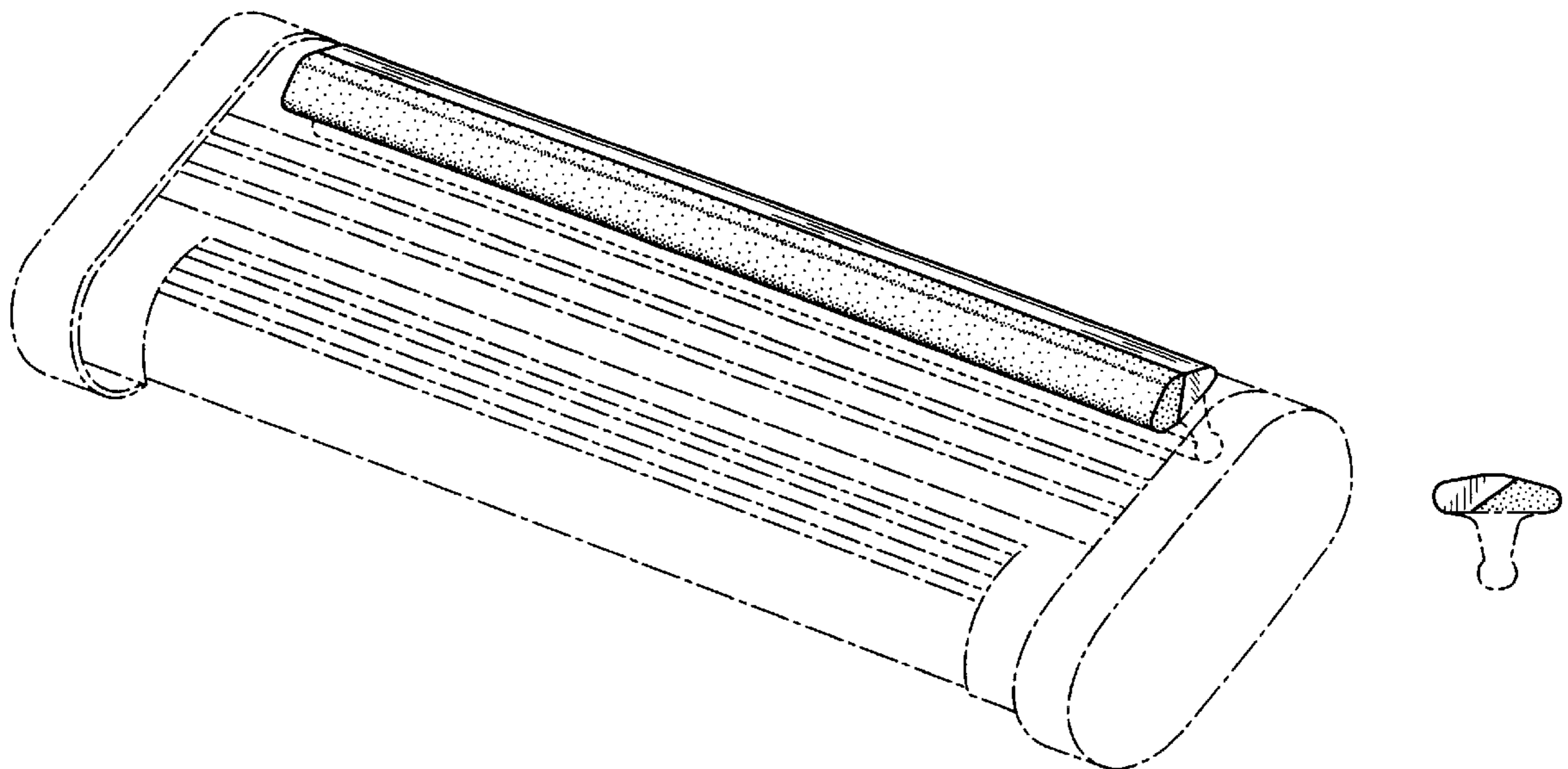
The broken lines showing the razor cartridge and parts underlying the broken line boundary are for illustrative purposes only and form no part of the claimed design. The stippling represents a color contrasting surface.

(56) **References Cited**

U.S. PATENT DOCUMENTS

D. 298,068	*	10/1988	Gilder	D28/47
D. 401,014		11/1998	Tseng et al.	D28/47
D. 422,380		4/2000	Tseng et al.	D28/47
D. 424,745	*	5/2000	Tseng et al.	D28/47
3,969,817	*	7/1976	Di Buono	30/41
4,683,096	*	7/1987	Ferraro	30/41 X
5,331,740	*	7/1994	Carson, III et al.	30/50
5,430,939		7/1995	Johnston	30/41
5,956,848		9/1999	Tseng et al.	30/41
5,956,849		9/1999	Chadwick et al.	30/41

1 Claim, 1 Drawing Sheet



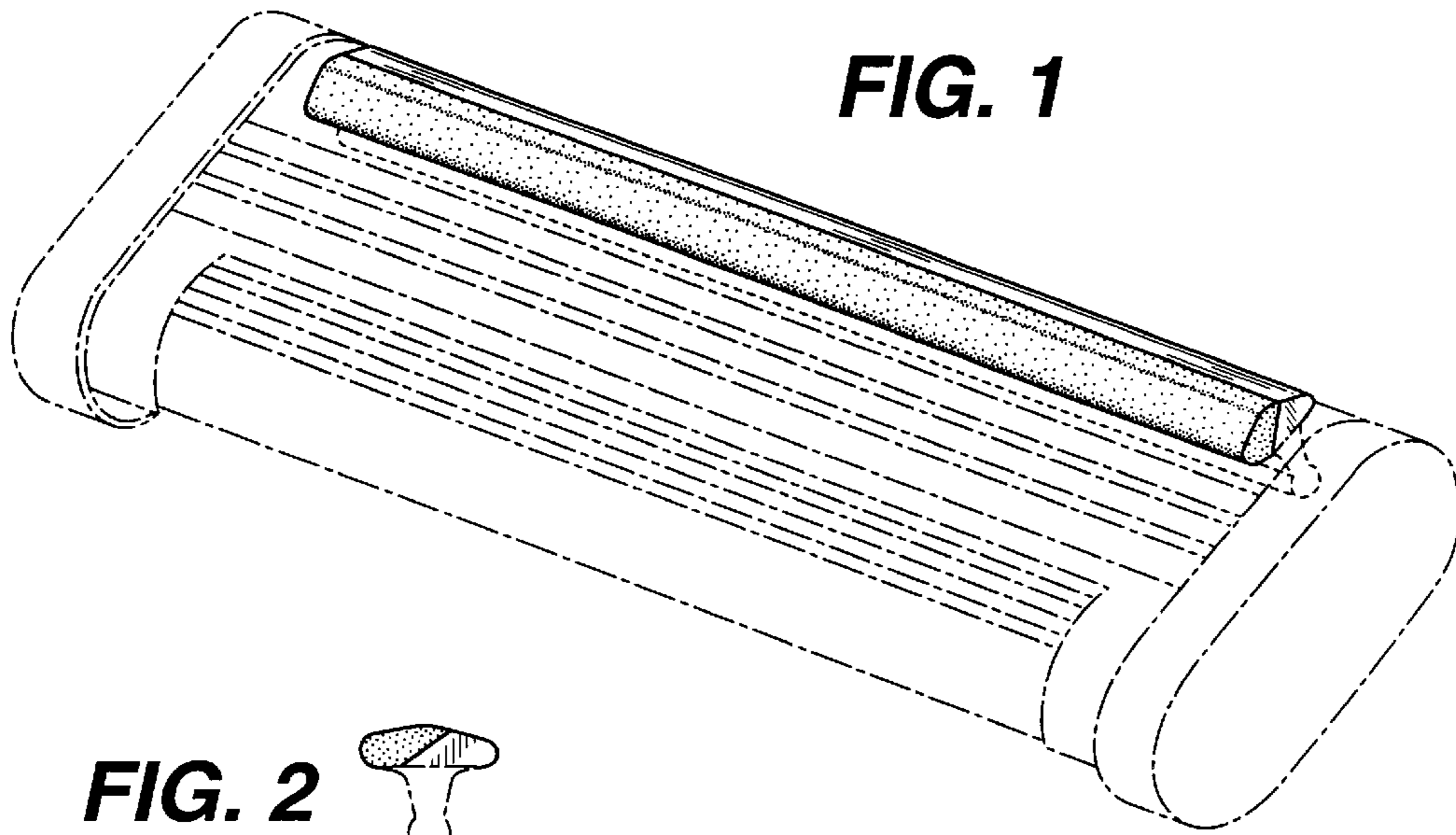


FIG. 1

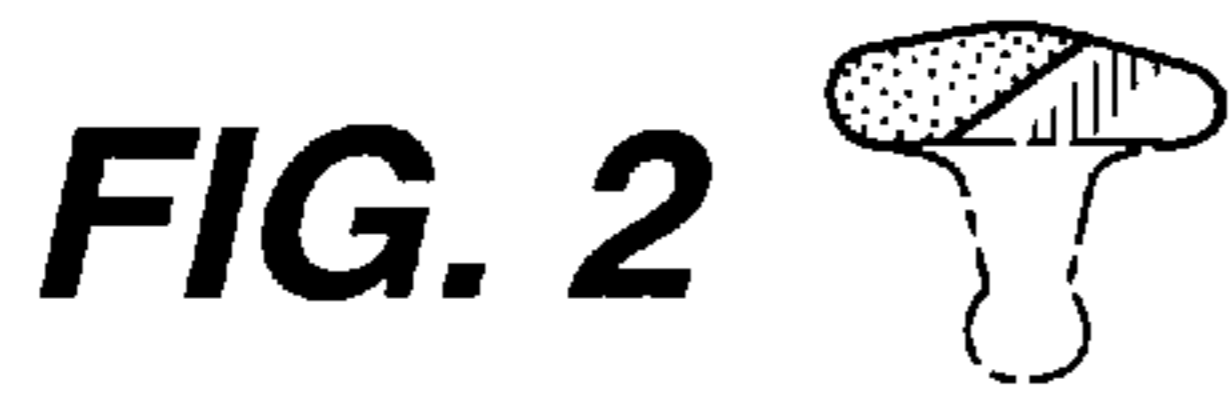


FIG. 2

FIG. 3

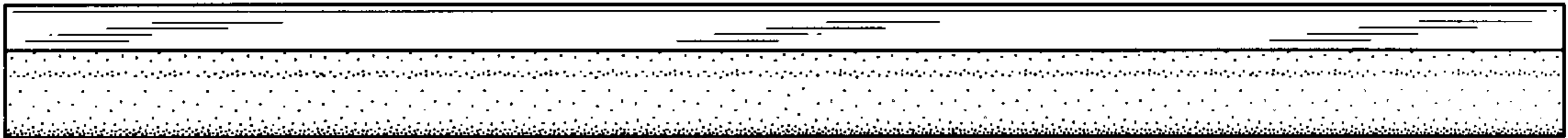


FIG. 4

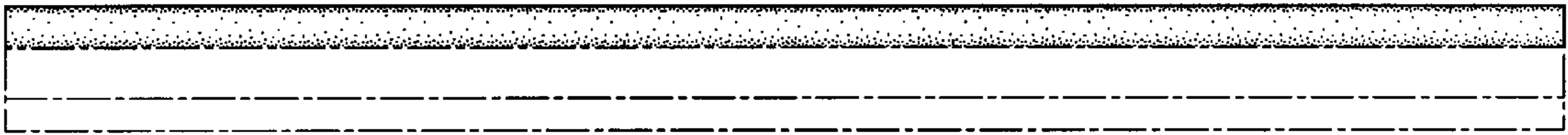


FIG. 5

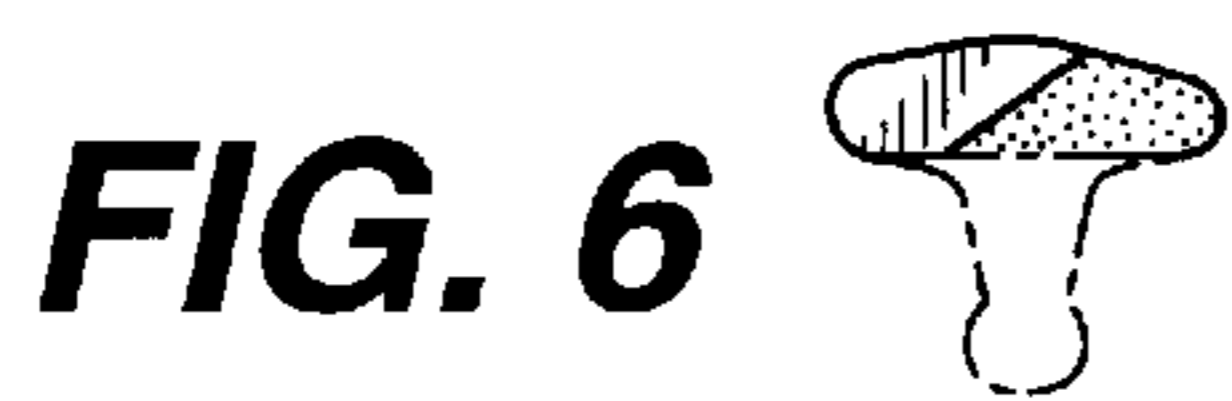
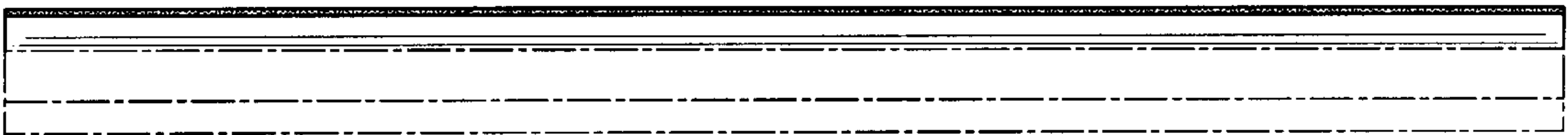


FIG. 6

FIG. 7

