



US00D436688S

(12) **United States Design Patent**
Beaujean

(10) **Patent No.:** **US D436,688 S**

(45) **Date of Patent:** **** Jan. 23, 2001**

(54) **DETERGENT TABLET**

4,996,000 * 2/1991 Redeker 510/146 X
5,972,870 * 10/1999 Anderson 510/298

(75) Inventor: **Hans-Josef Beaujean**, Dormagen (DE)

FOREIGN PATENT DOCUMENTS

(73) Assignee: **Henkel Kommanditgesellschaft auf Aktien**, Duesseldorf (DE)

977194 * 3/1951 (FR) 40/635
3265698 * 11/1991 (JP) 252/FOR 115

(**) Term: **14 Years**

* cited by examiner

(21) Appl. No.: **29/097,253**

Primary Examiner—Ted Shooman

(22) Filed: **Dec. 2, 1998**

Assistant Examiner—C. Tuttle

(30) **Foreign Application Priority Data**

(74) *Attorney, Agent, or Firm*—Wayne C. Jaeschke; Glenn E. J. Murphy; Kenneth Watov

Jun. 2, 1998 (XH) DM/044 197

(57) **CLAIM**

(51) **LOC (7) Cl.** **28-02**

The ornamental design for a detergent tablet, as shown and described.

(52) **U.S. Cl.** **D28/8.1**

(58) **Field of Search** D28/8.1; D23/207,
D23/208; D24/100, 101; D32/35; 510/133,
137-149, 191, 194, 224, 225, 294, 298,
440-441, 445-449

DESCRIPTION

(56) **References Cited**

U.S. PATENT DOCUMENTS

- D. 283,649 * 4/1986 Casberg D23/207
- D. 335,704 * 5/1993 Casberg D24/101
- D. 407,463 * 3/1999 Outlaw et al. D23/207
- 683,181 * 9/1901 Mereness 510/440
- 1,601,775 * 10/1926 Scherieble 264/245
- 3,557,003 * 1/1971 Morris et al. 510/298
- 4,217,331 * 8/1980 Schaub 422/265
- 4,350,666 * 9/1982 Klutts 422/263

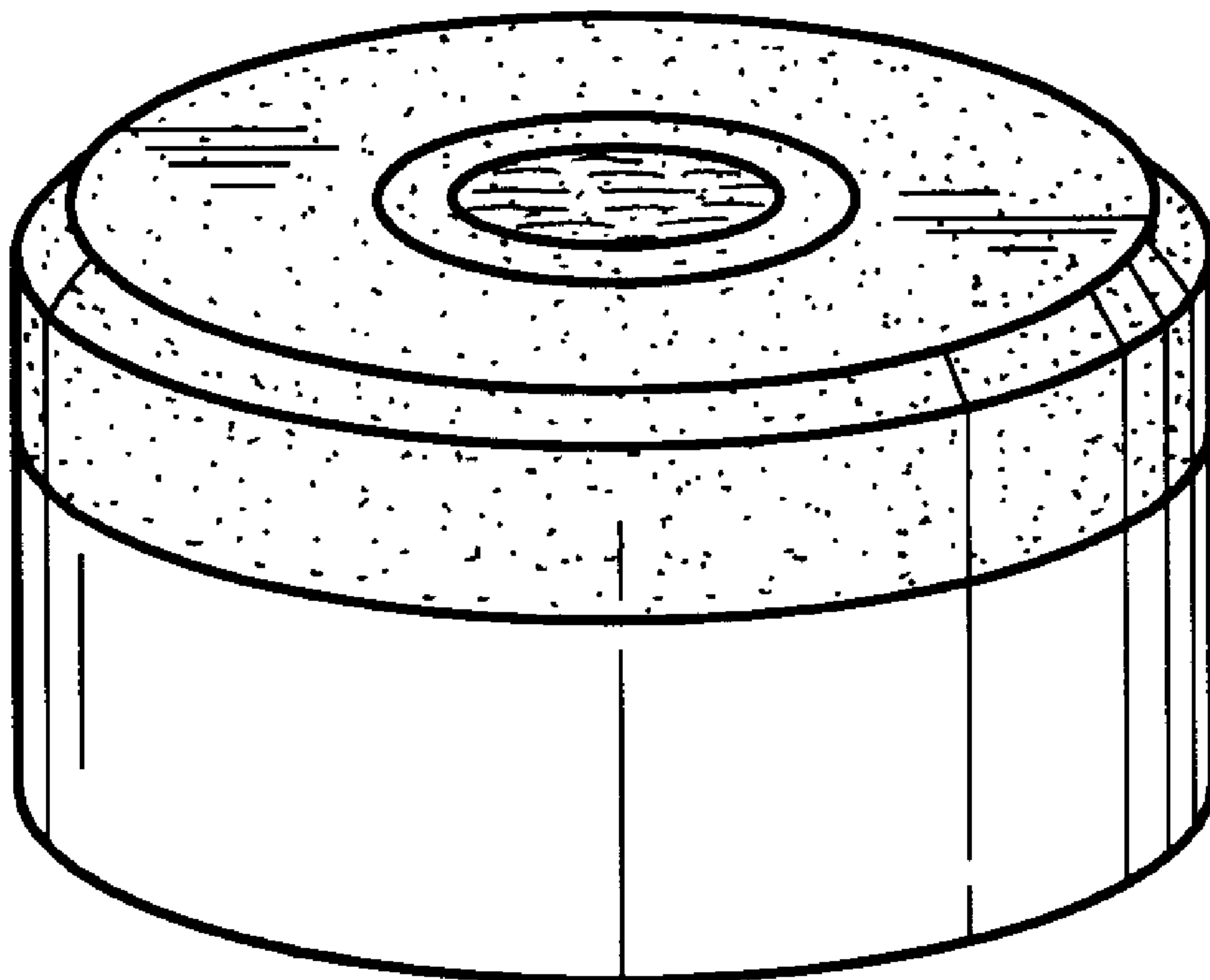
The present invention is related to co-pending design application Ser. Nos. 29/097,257, 29/097,249, 29/097,254, 29/097,250, 29/097,258, 29/097,259, 29/121,224, 29/097,245, 29/099,272, 29/121,871, 29/097,251, and 29/097,255 respectively which were filed herewith.

FIG. 1 is a perspective view of the detergent tablet showing my new design;

FIG. 2 is a front elevational view thereof, the back, right side, and left side elevational views, respectively, being identical thereto; and,

FIG. 3 is a bottom plan view thereof.

1 Claim, 1 Drawing Sheet



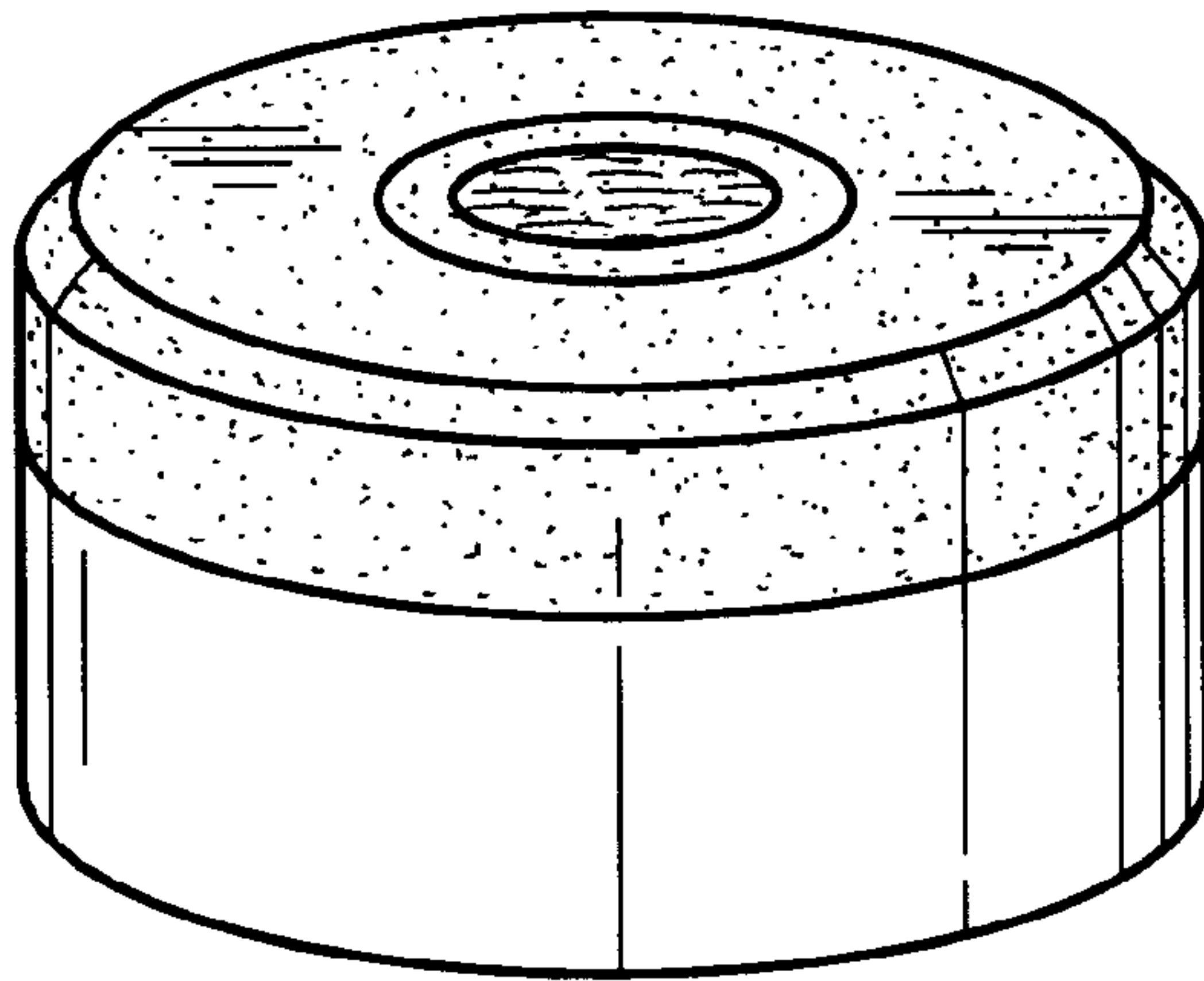


FIG. 1

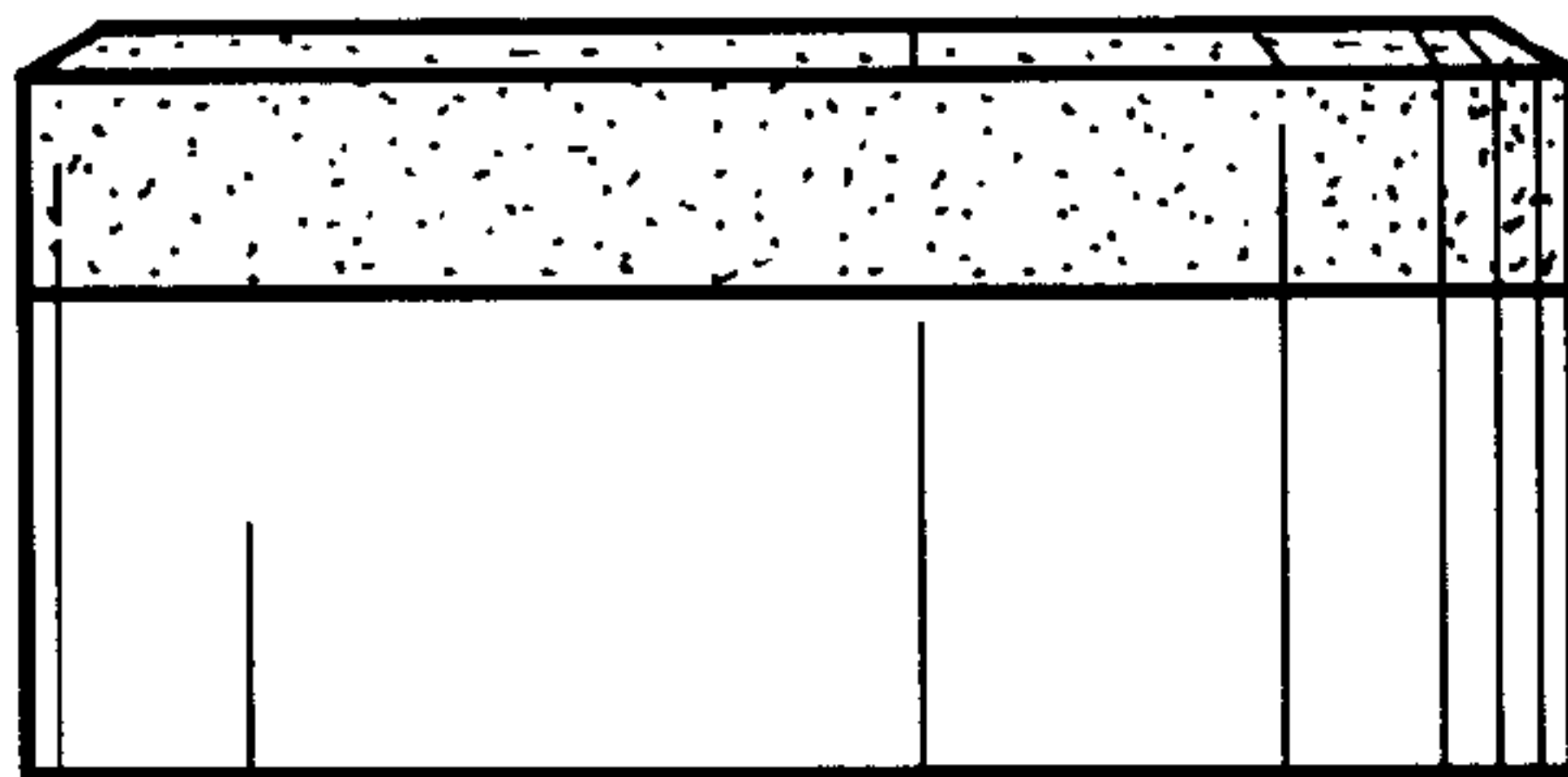


FIG. 2

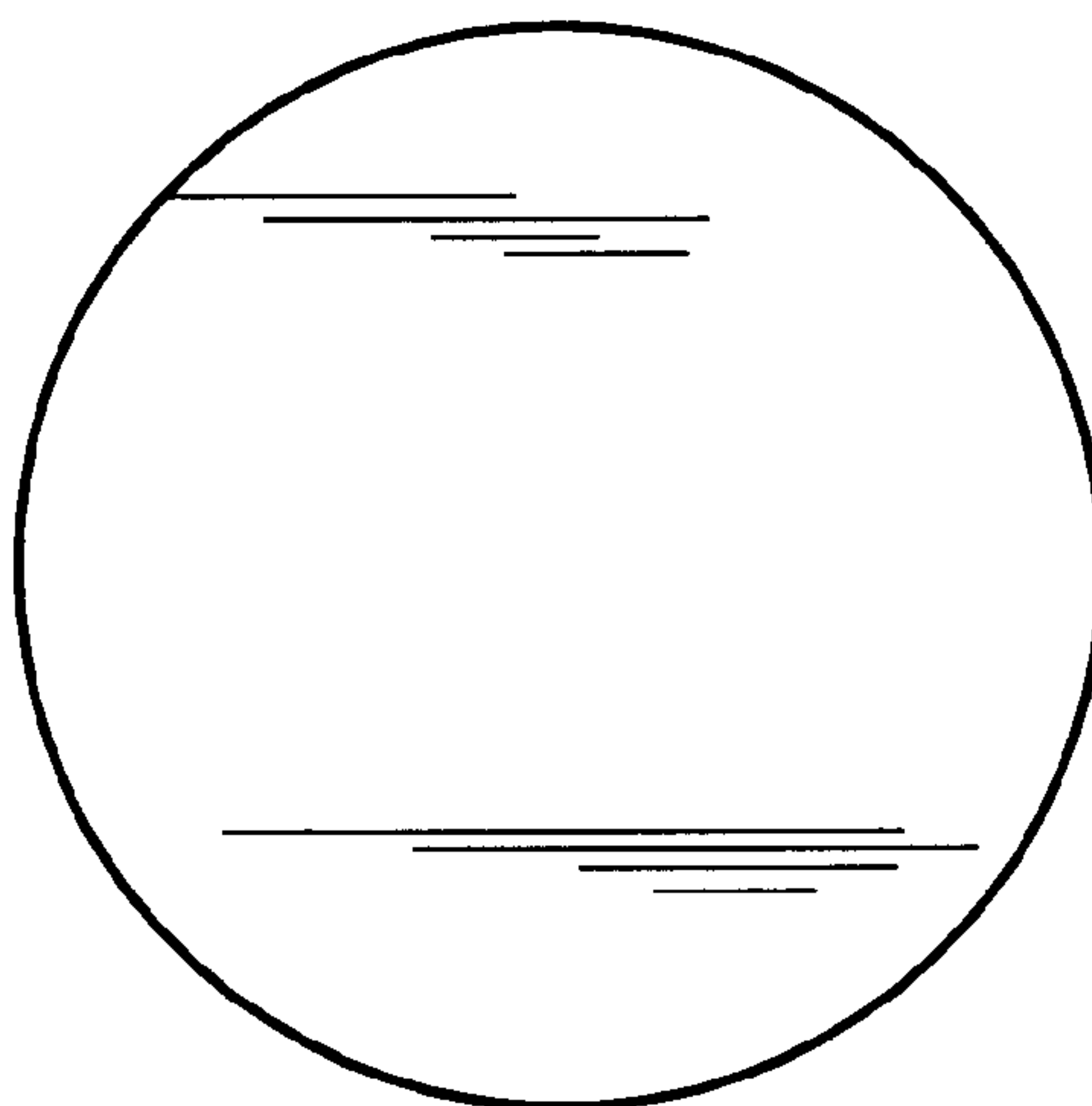


FIG. 3