



US00D436686S

(12) **United States Design Patent**
Fujisawa

(10) **Patent No.:** **US D436,686 S**

(45) **Date of Patent:** **** Jan. 23, 2001**

(54) **PIPE**

2,647,522 * 8/1953 Schneider 131/193 X
4,708,151 * 11/1987 Shelar 131/194 X

(75) Inventor: **Chijiko Fujisawa, Tokyo (JP)**

* cited by examiner

(73) Assignee: **Kabushiki Kaisha Fujisawa, Tokyo (JP)**

Primary Examiner—Susan J. Lucas

Assistant Examiner—Jennifer Rivard

(**) Term: **14 Years**

(74) *Attorney, Agent, or Firm*—Wenderoth, Lind & Ponack, L.L.P.

(21) Appl. No.: **29/110,336**

(57) **CLAIM**

(22) Filed: **Sep. 7, 1999**

The ornamental design for a pipe, as shown and described.

(51) **LOC (7) Cl.** **27-02**

DESCRIPTION

(52) **U.S. Cl.** **D27/163**

(58) **Field of Search** D27/163, 164,
D27/165, 167; 131/330, 329, 193, 194,
196, 214, 200, 222

FIG. 1 is a perspective view;
FIG. 2 is a front elevational view;
FIG. 3 is a top plan view;
FIG. 4 is a bottom plan view;
FIG. 5 is a right side elevational view;
FIG. 6 is a left side elevational view; and,
FIG. 7 is a sectional view of FIG. 3 taken along line 7—7.
(Rear elevational view is omitted since it is the same as the front elevational view of FIG. 2).

(56) **References Cited**

U.S. PATENT DOCUMENTS

D. 346,557 * 5/1994 West et al. D27/163 X
D. 417,308 * 11/1999 Barmes D27/163
1,672,307 * 6/1928 De Vore 131/196

1 Claim, 4 Drawing Sheets

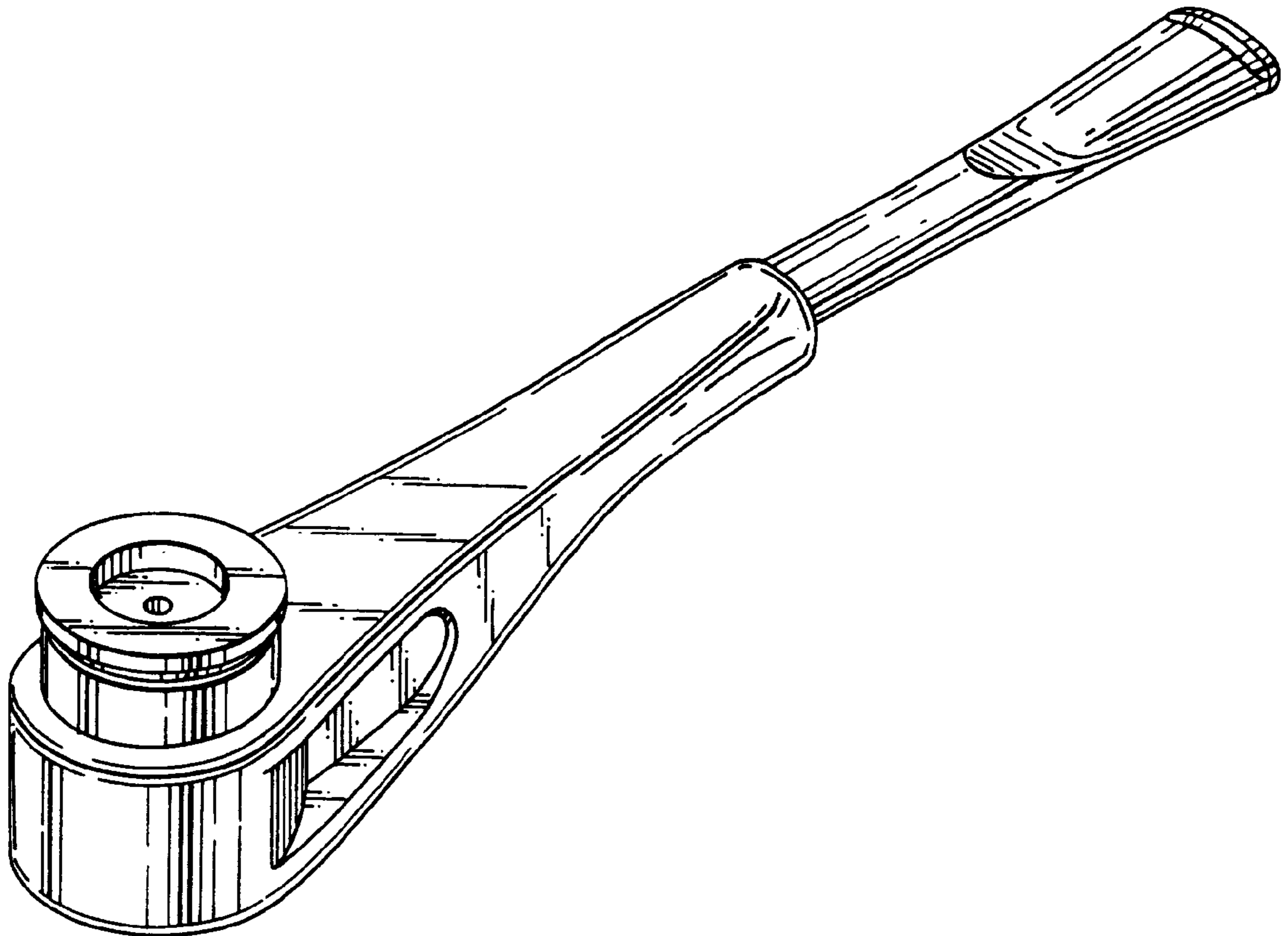


FIG. 1

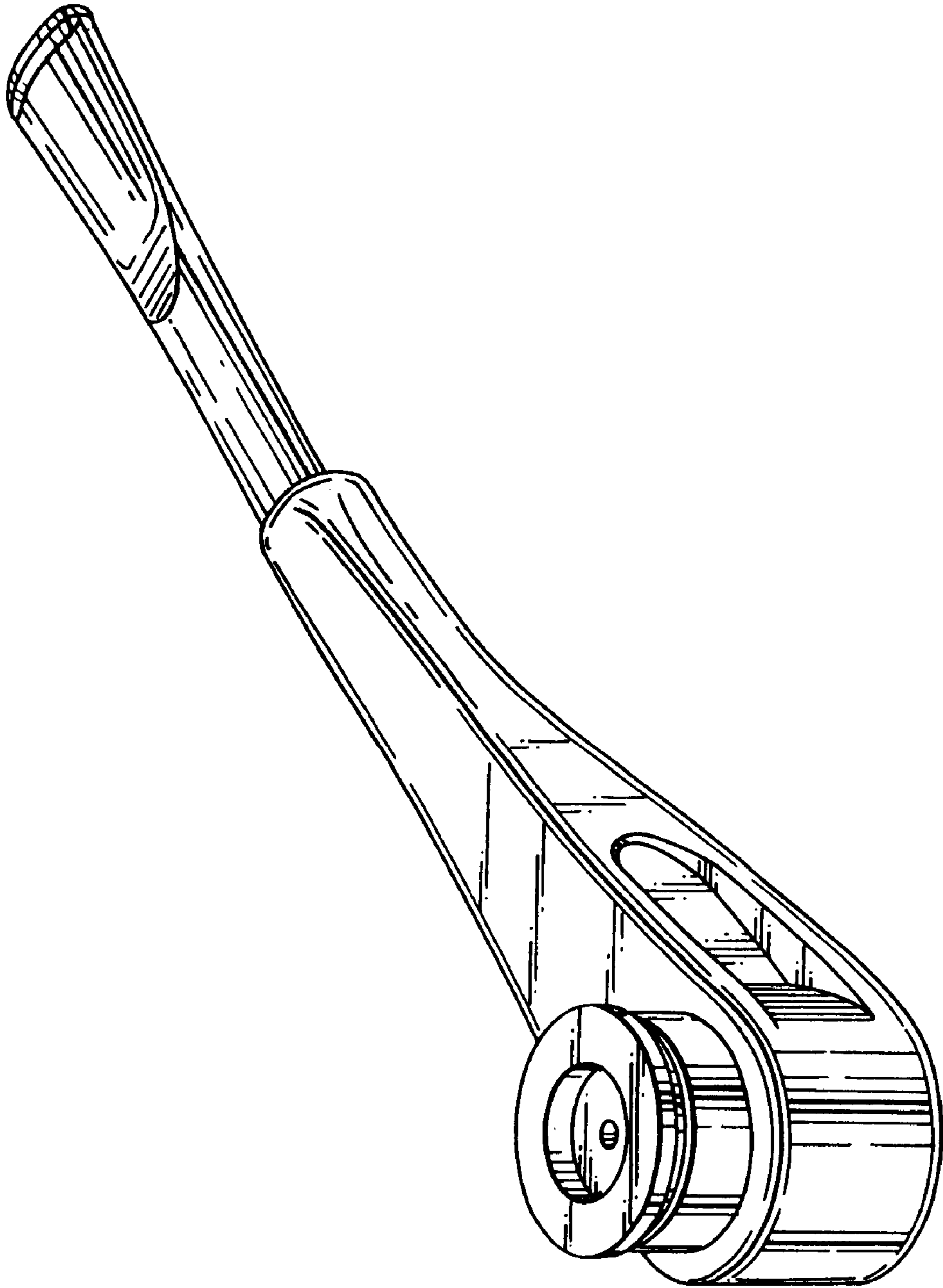


FIG. 2

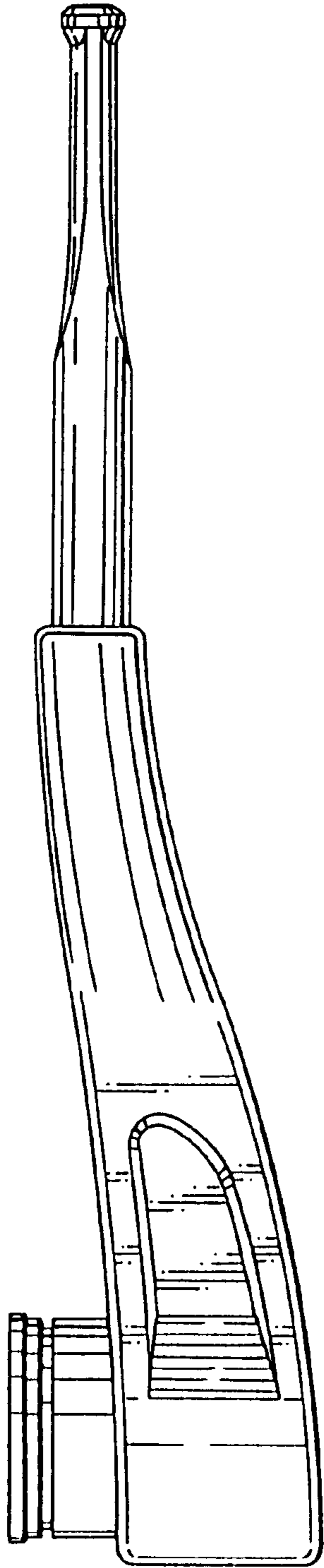


FIG. 3

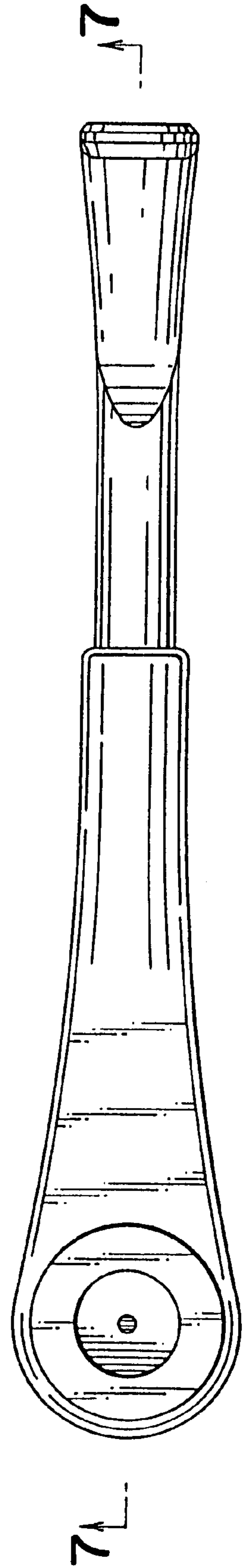


FIG. 4

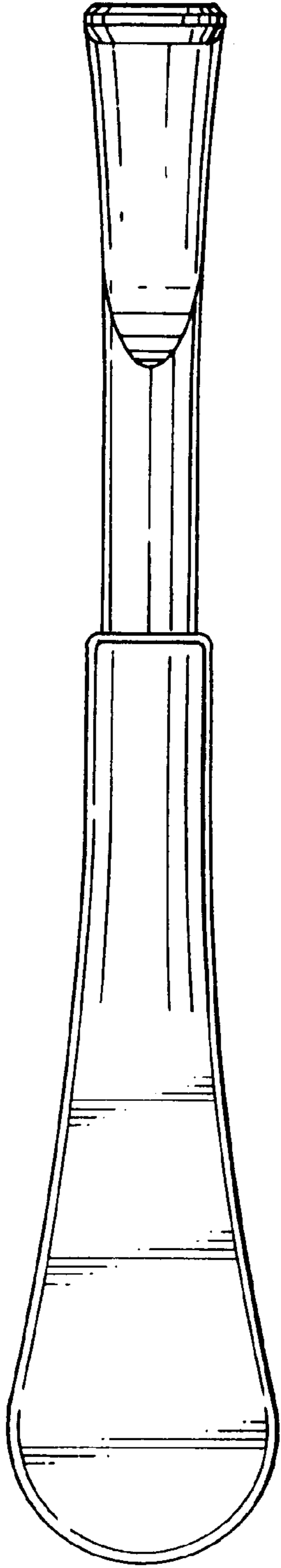


FIG. 6

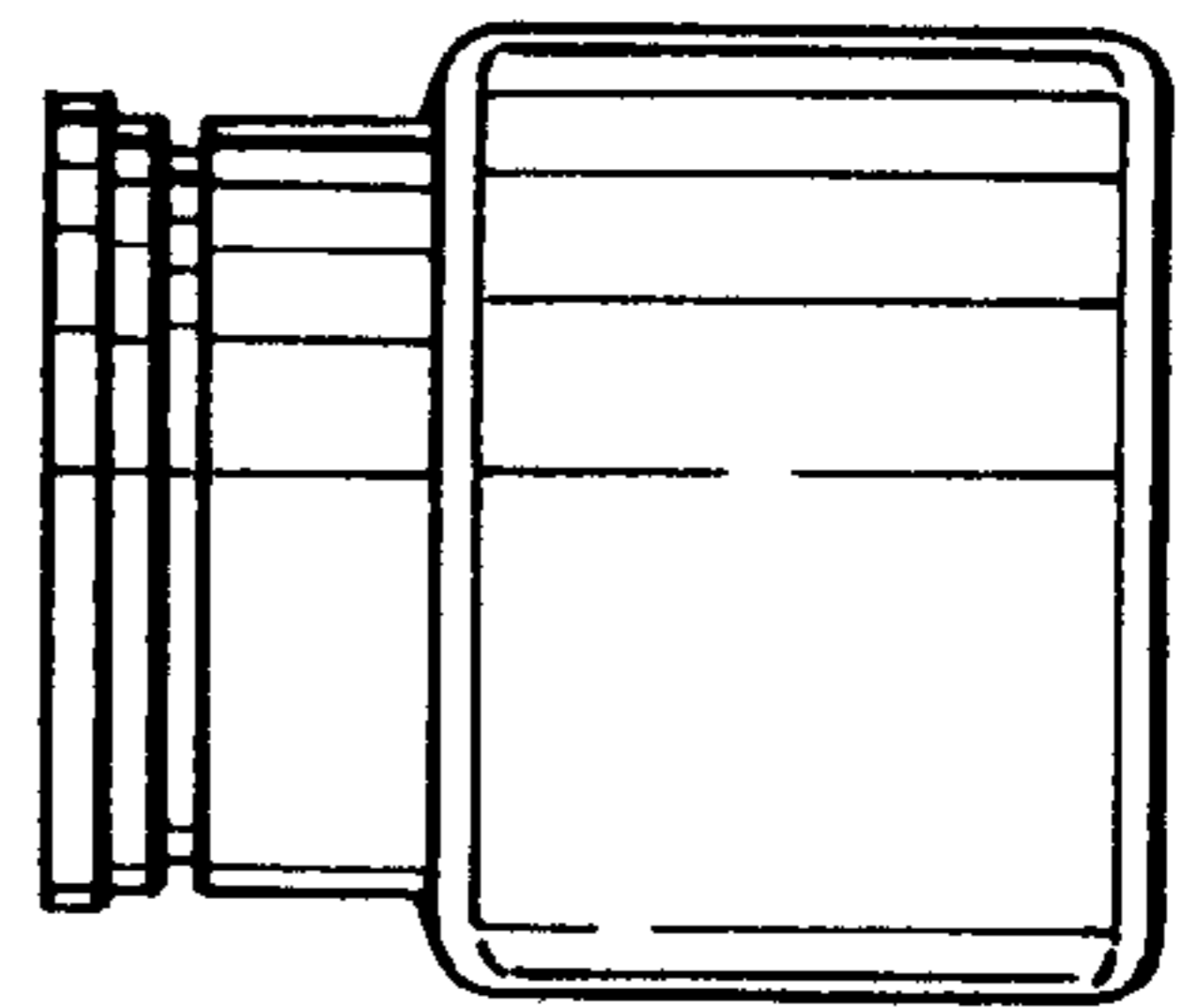


FIG. 5

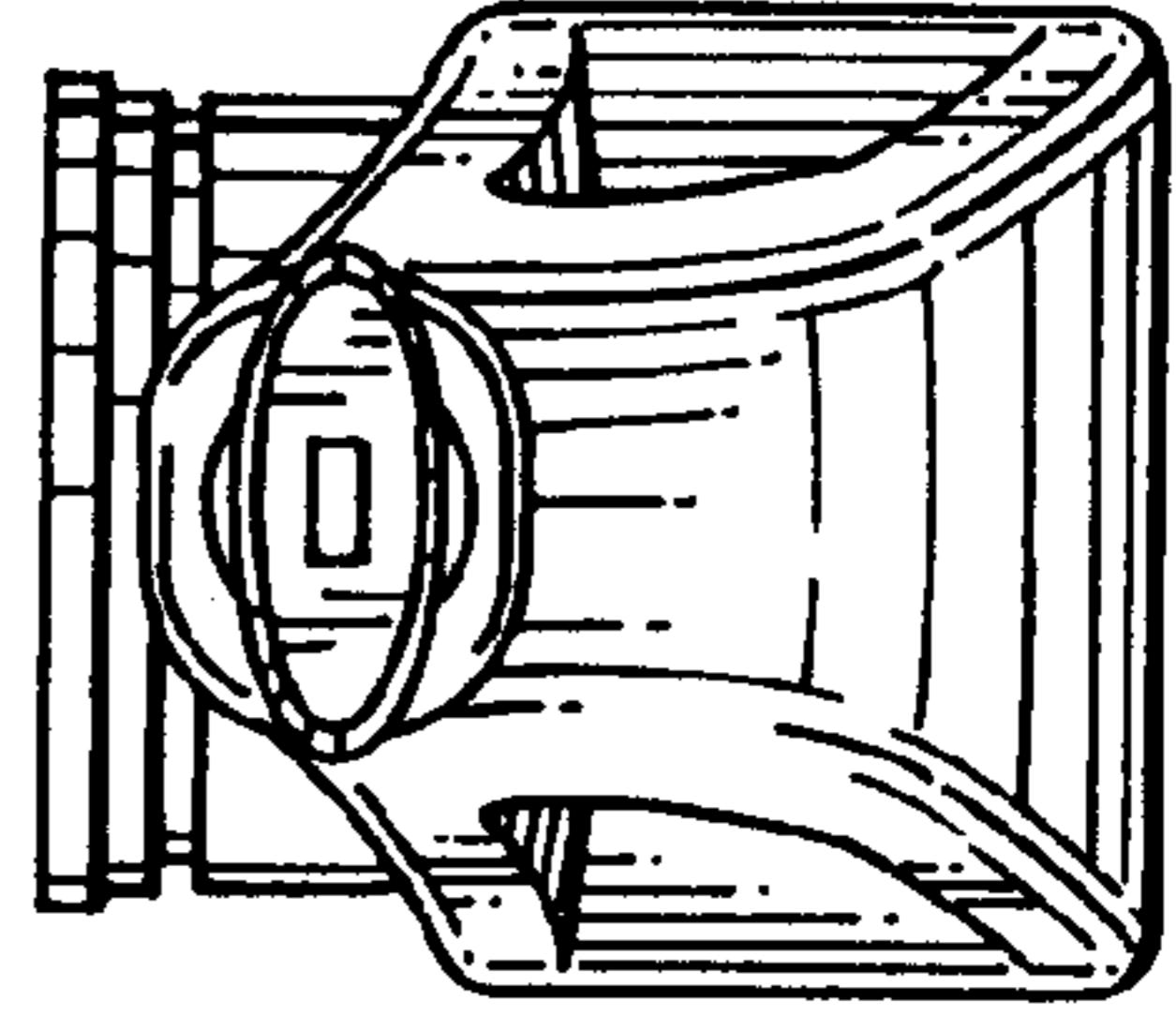


FIG. 7

