



US00D436682S

(12) **United States Design Patent**
Ewing et al.

(10) **Patent No.: US D436,682 S**

(45) **Date of Patent: ** Jan. 23, 2001**

(54) **SUSPENDED LUMINAIRE**

(75) Inventors: **Robert L. Ewing; Larry R. Armstrong**, both of Newark, OH (US)

(73) Assignee: **NSI Enterprises, Inc.**, Newark, OH (US)

(**) Term: **14 Years**

(21) Appl. No.: **29/106,667**

(22) Filed: **Jun. 18, 1999**

(51) **LOC (7) Cl. 26-05**

(52) **U.S. Cl. D26/85**

(58) **Field of Search** D26/72, 85-91,
D26/118; 362/404-408, 147, 341, 346,
347, 349, 350, 353, 348, 351

(56) **References Cited**

U.S. PATENT DOCUMENTS

D. 307,642 * 5/1990 DiCola D26/85
5,993,028 * 11/1999 Ong 362/351

OTHER PUBLICATIONS

Forecast Lighting catalog, 1993 , p. 53, suspended lamp #5300-57.*

General Electric HID exterior lighting catalog, 1985, p. 4.*

* cited by examiner

Primary Examiner—Susan J. Lucas

(57) **CLAIM**

The ornamental design for a suspended luminaire, as shown and described.

DESCRIPTION

FIG. 1 is a perspective view of a first embodiment of our new design;

FIG. 2 is a front elevational view of the first embodiment, the rear elevational view being a mirror image thereof;

FIG. 3 is a left side elevational view of the first embodiment, the right side elevational view being a mirror image thereof;

FIG. 4 is a top plan view of the first embodiment;

FIG. 5 is a bottom plan view of the first embodiment;

FIG. 6 is a perspective view of a second embodiment of our new design;

FIG. 7 is a front elevational view of the second embodiment, the rear elevational view being a mirror image thereof;

FIG. 8 is a left side elevational view of the second embodiment, the right side elevational view being a mirror image thereof;

FIG. 9 is a top plan view of the second embodiment;

FIG. 10 is a bottom plan view of the second embodiment;

FIG. 11 is a perspective view of a third embodiment of our new design;

FIG. 12 is a front elevational view of the third embodiment, the rear elevational view being a mirror image thereof;

FIG. 13 is a left side elevational view of the third embodiment, the right side elevational view being a mirror image thereof;

FIG. 14 is a top plan view of the third embodiment;

FIG. 15 is a bottom plan view of the third embodiment;

FIG. 16 is a perspective view of a fourth embodiment of our new design;

FIG. 17 is a front elevational view of the fourth embodiment, the rear elevational view being a mirror image thereof;

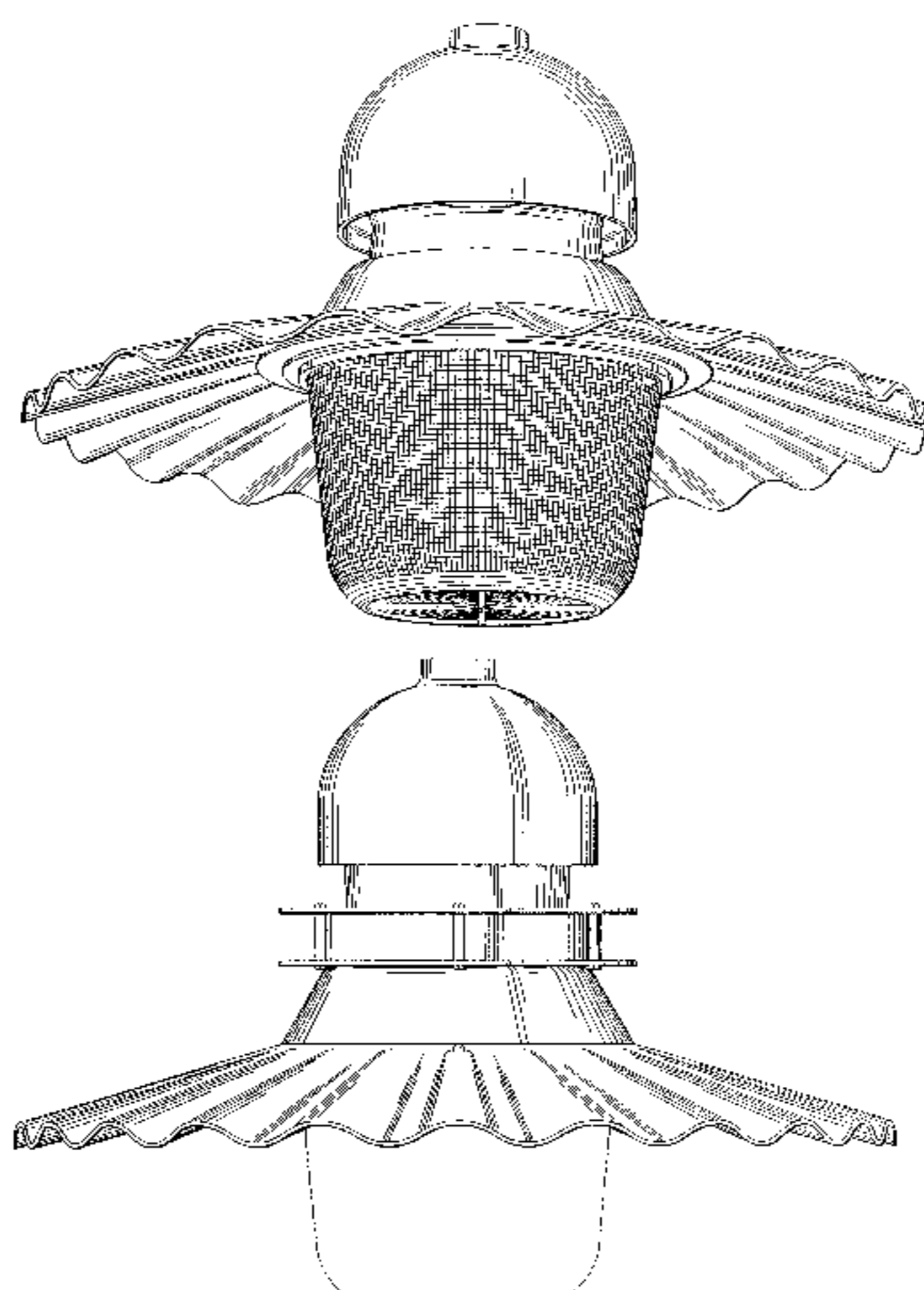
FIG. 18 is a left side elevational view of the fourth embodiment, the right side elevational view being a mirror image thereof;

FIG. 19 is a top plan view of the fourth embodiment; and,

FIG. 20 is a bottom plan view of the fourth embodiment.

The broken lines are shown for illustrative purposes only and form no part of the claimed design.

1 Claim, 16 Drawing Sheets



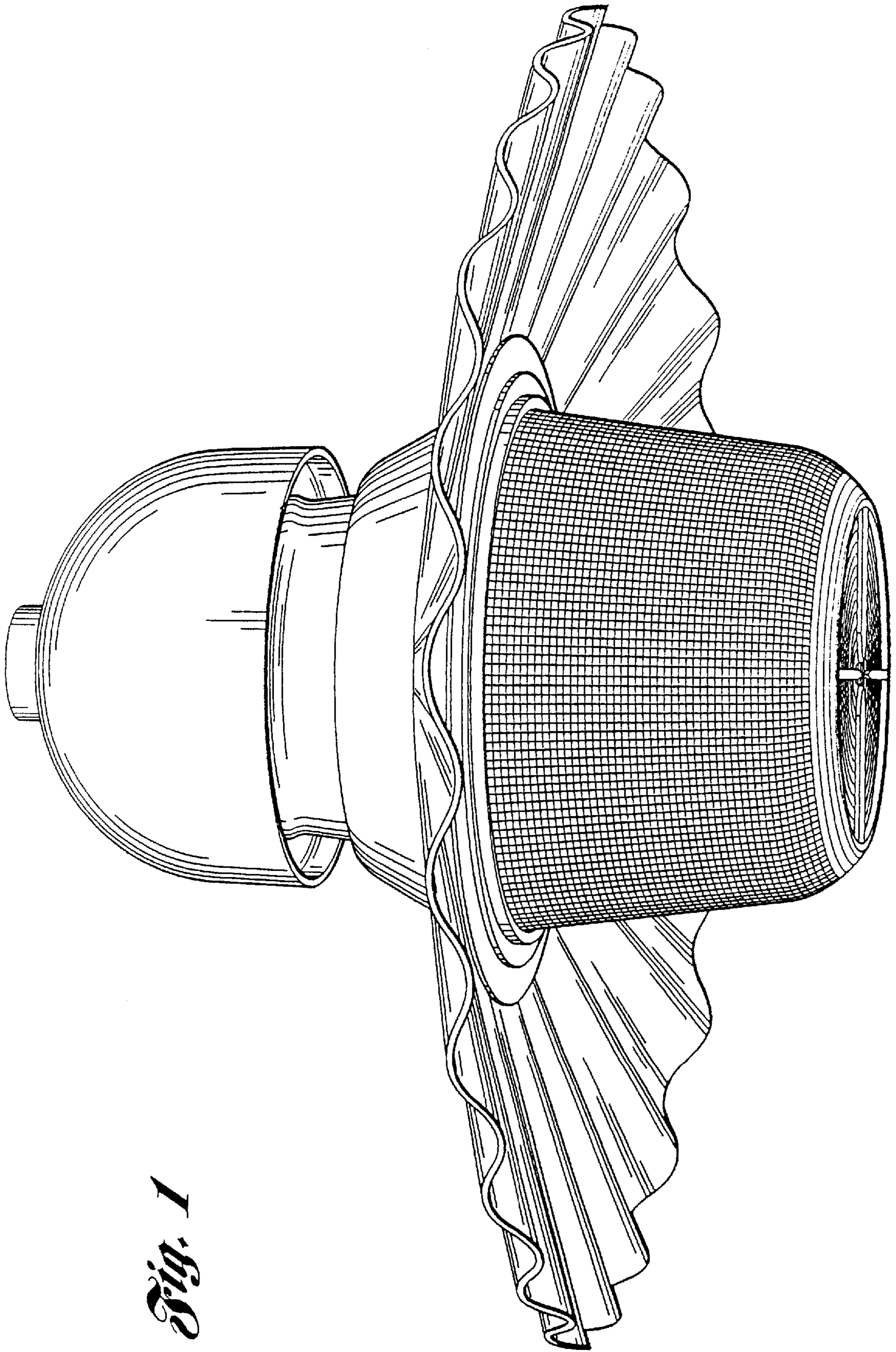


Fig. 1

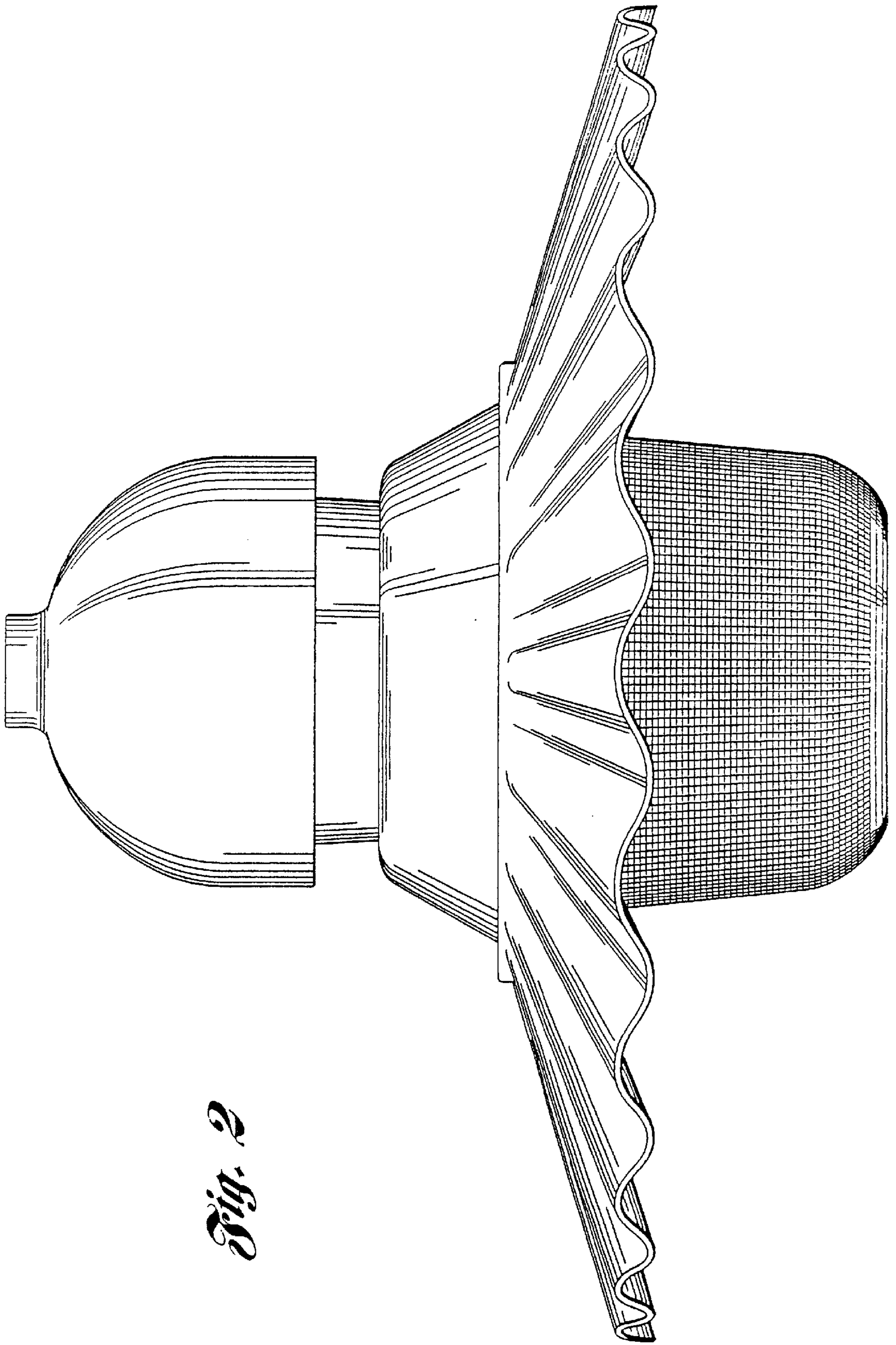


Fig. 2

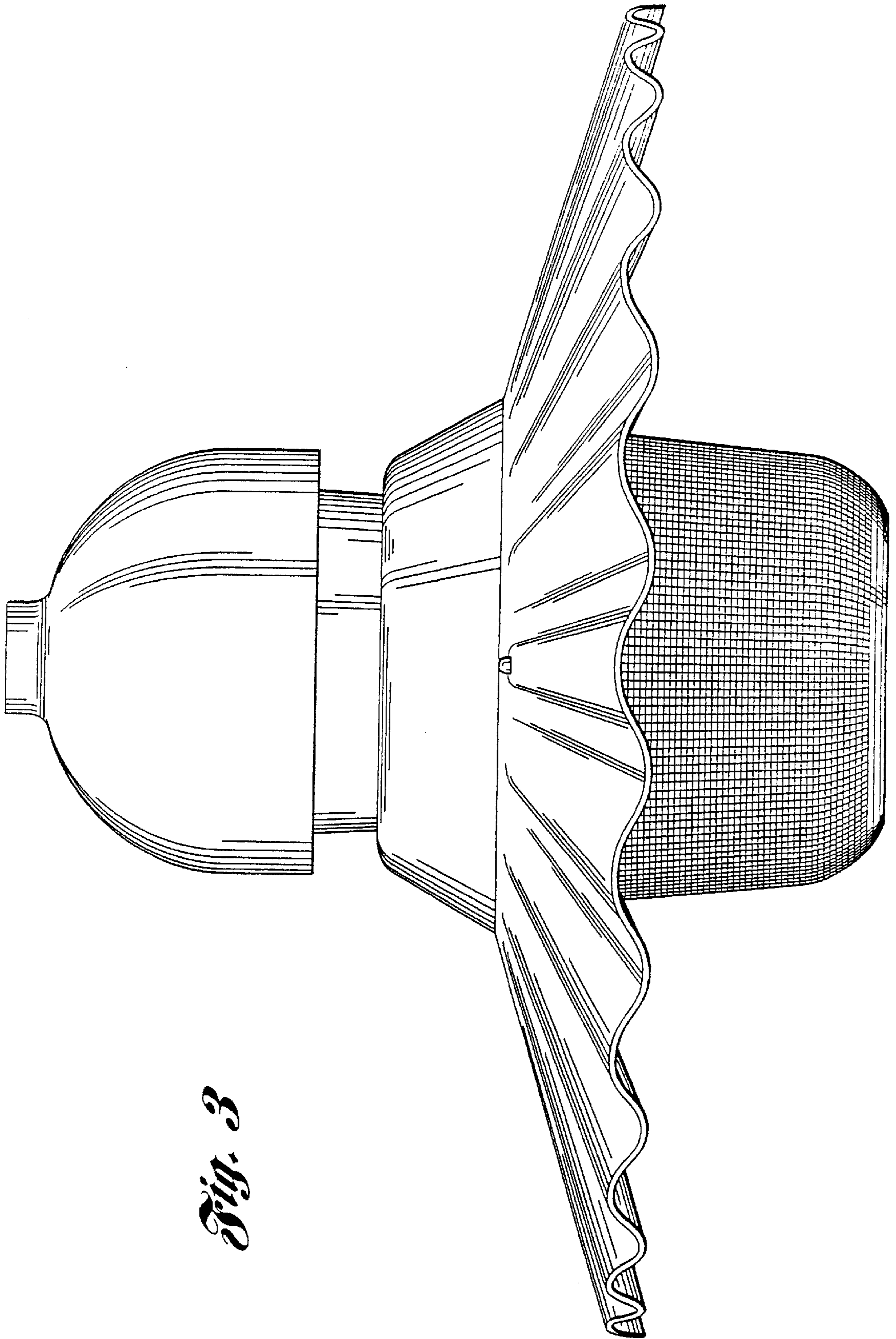


Fig. 3

Fig. 4

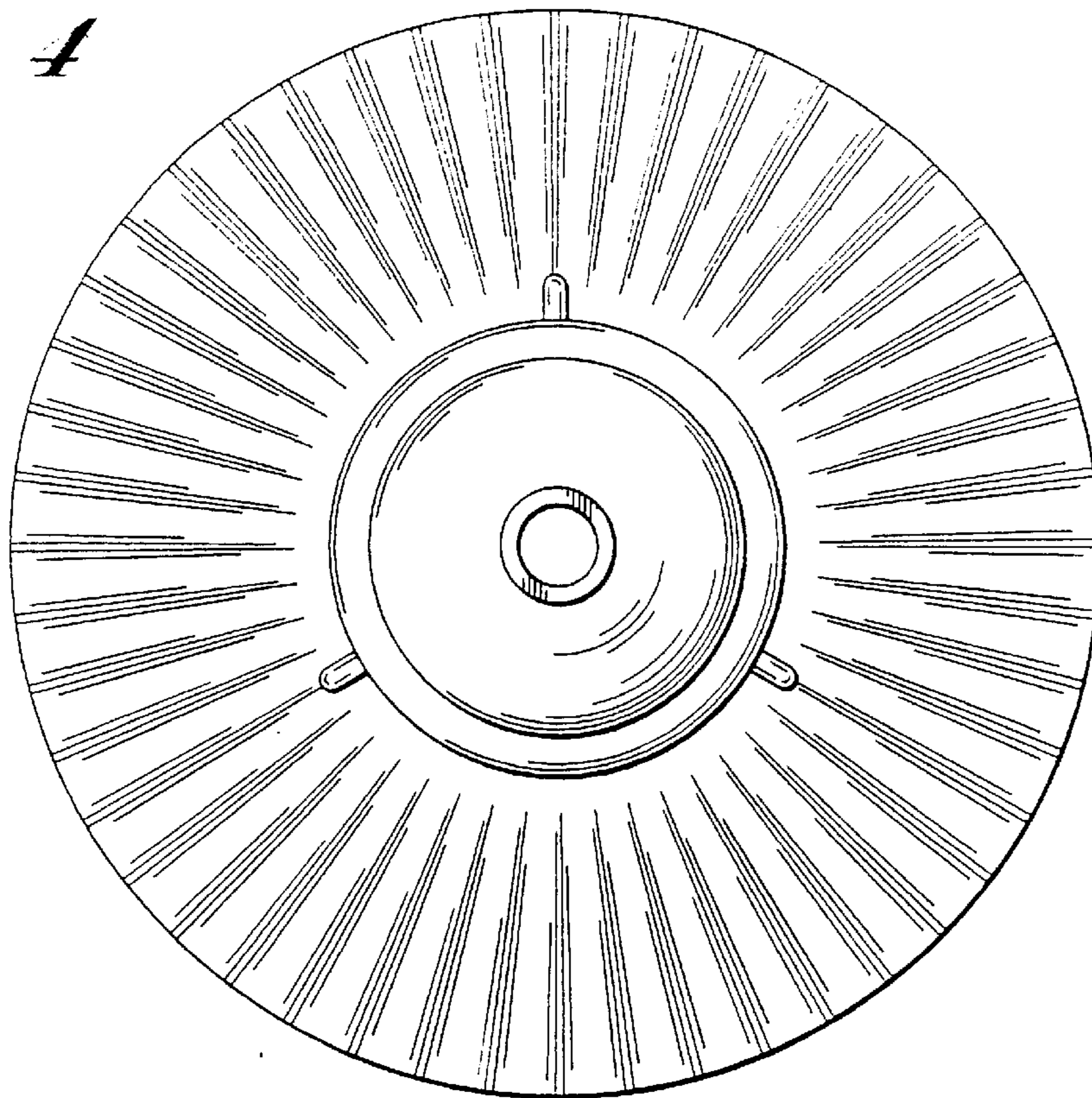
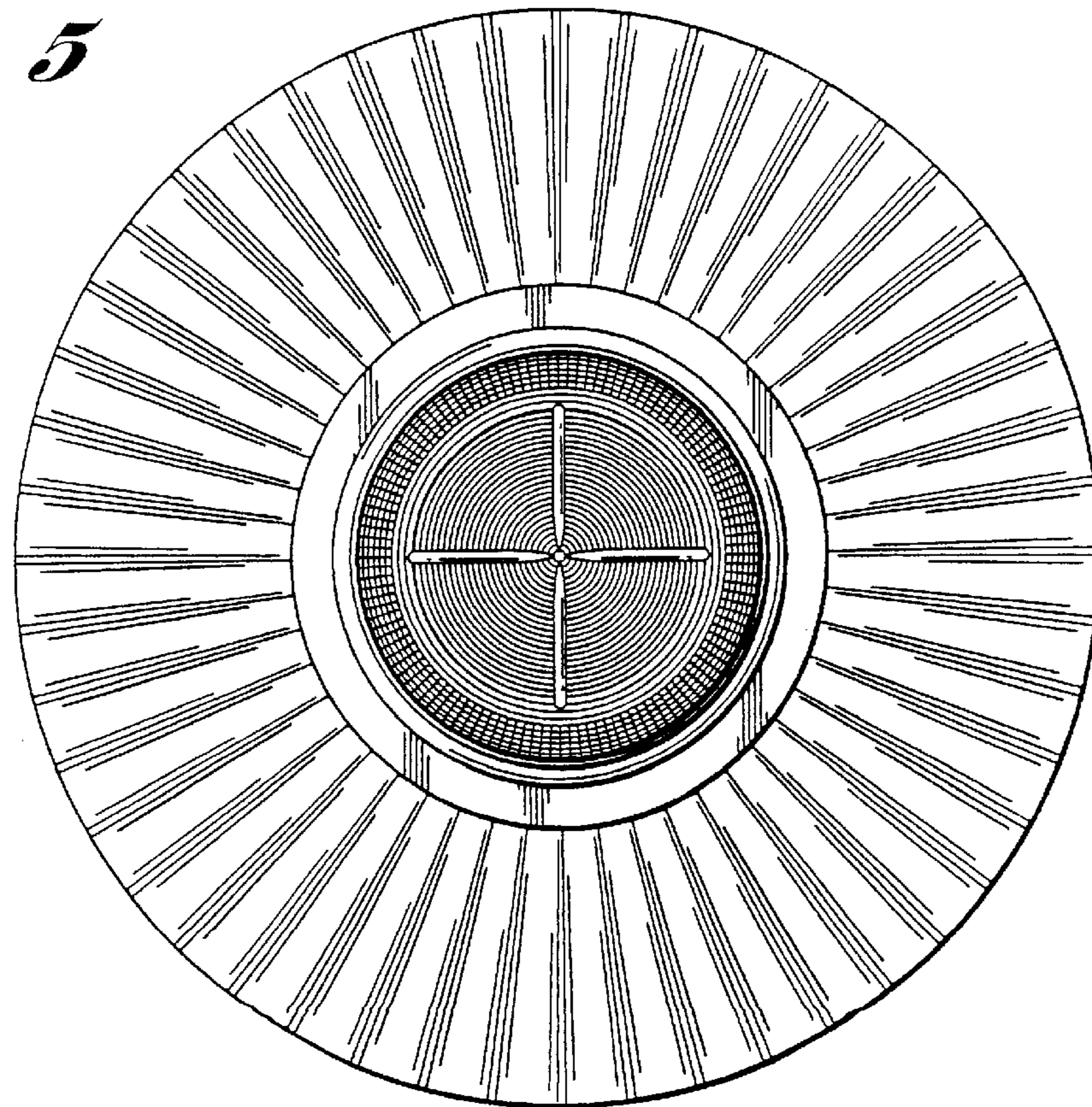


Fig. 5



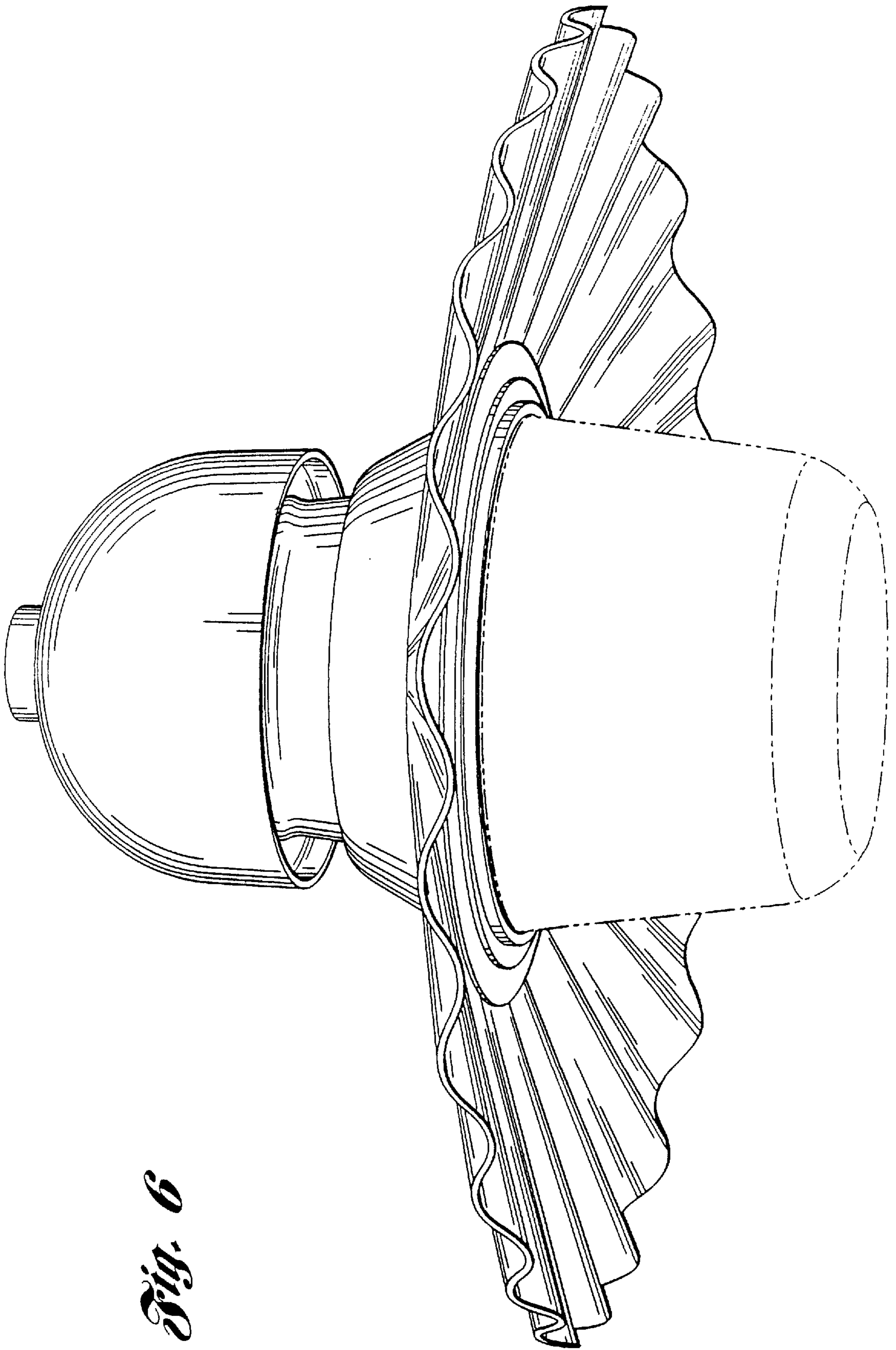


Fig. 6

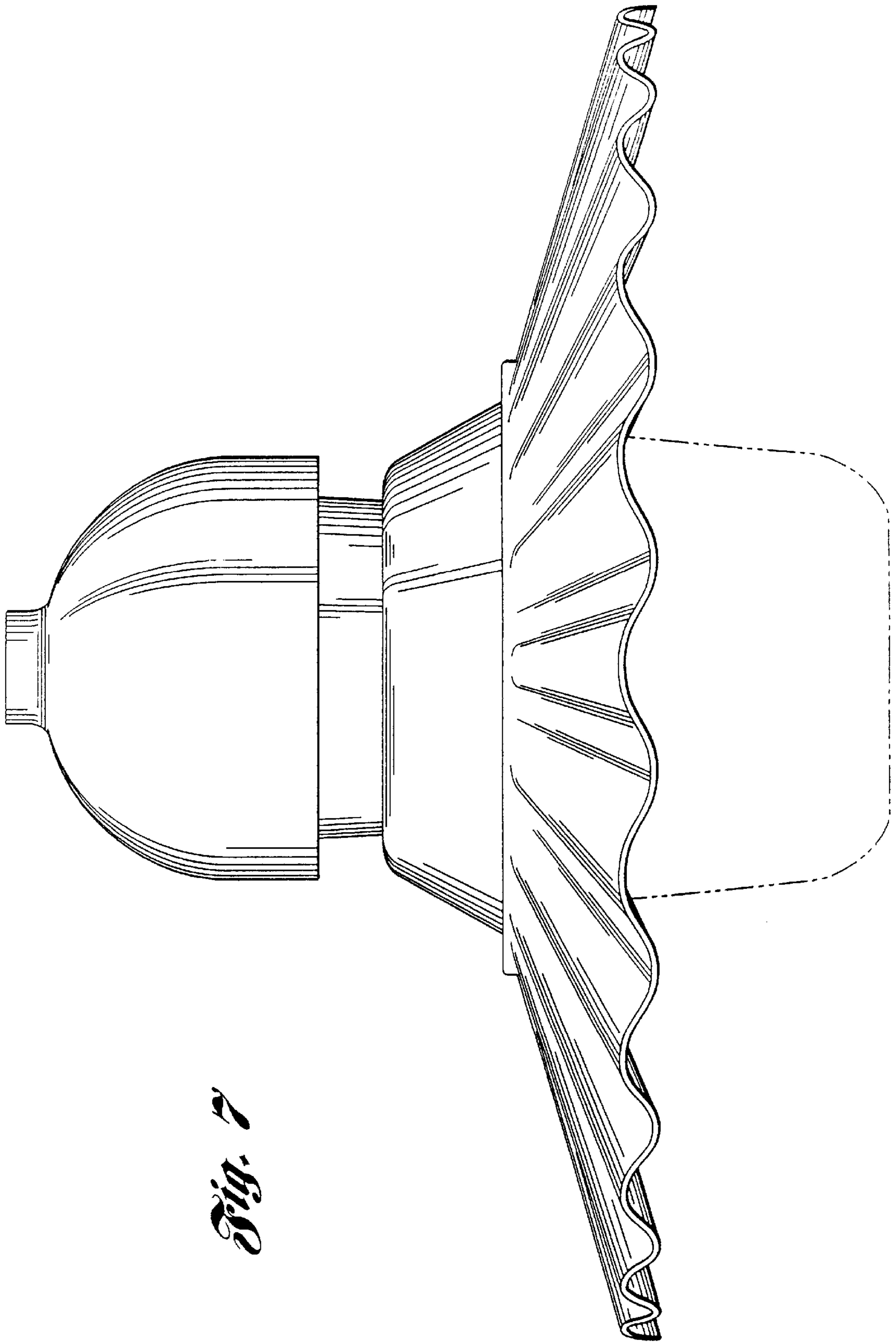


Fig. 7

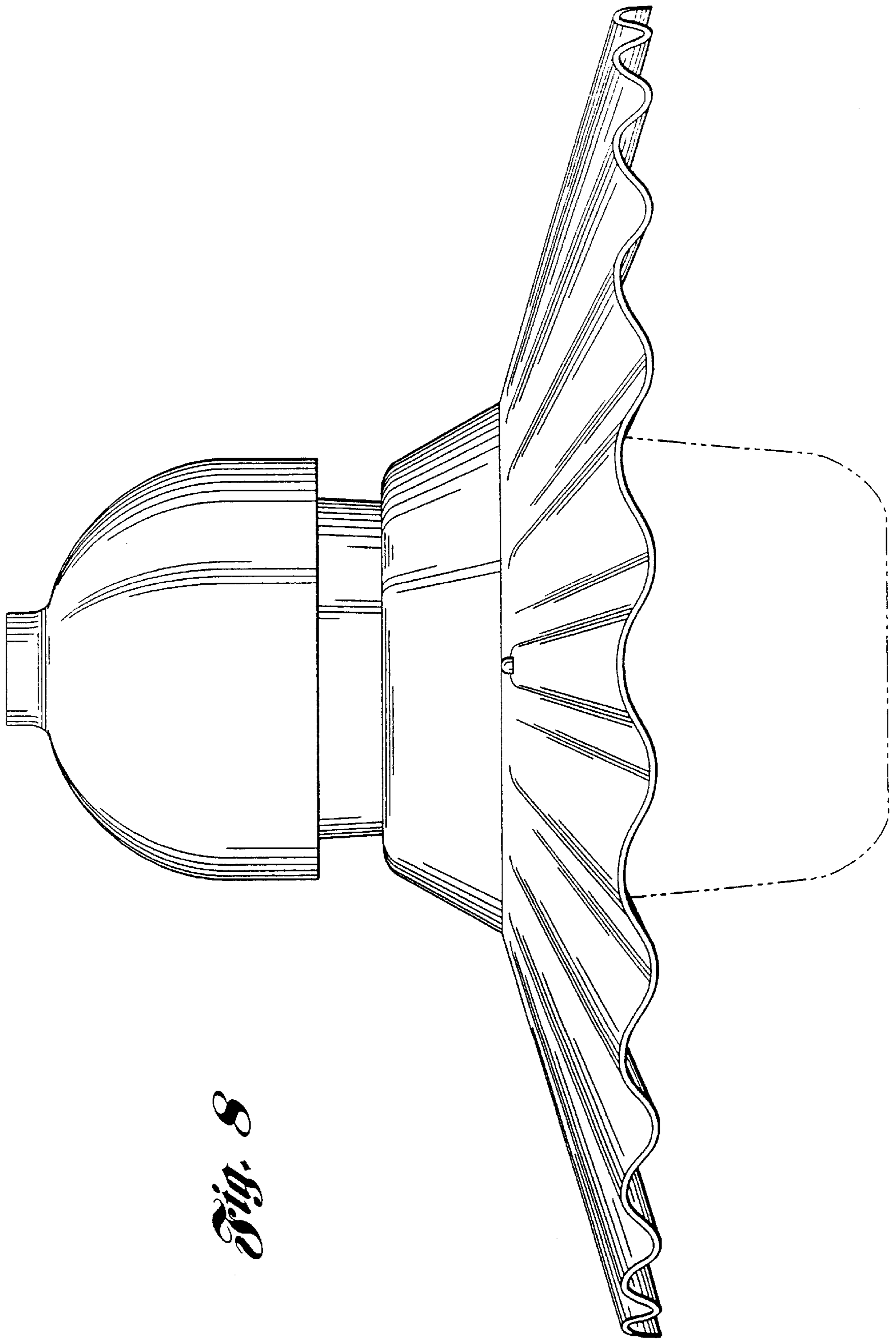


Fig. 8

Fig. 9

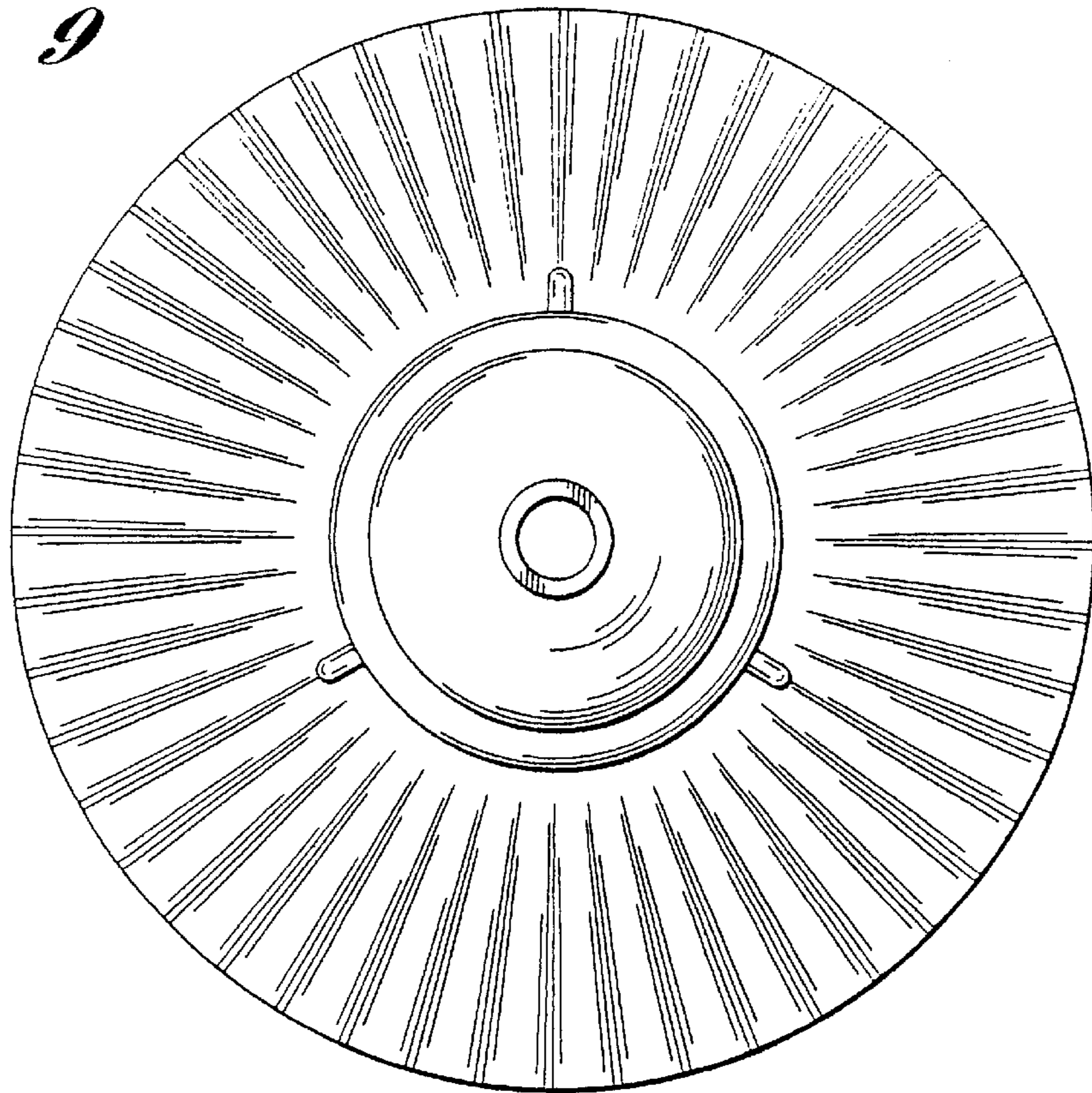
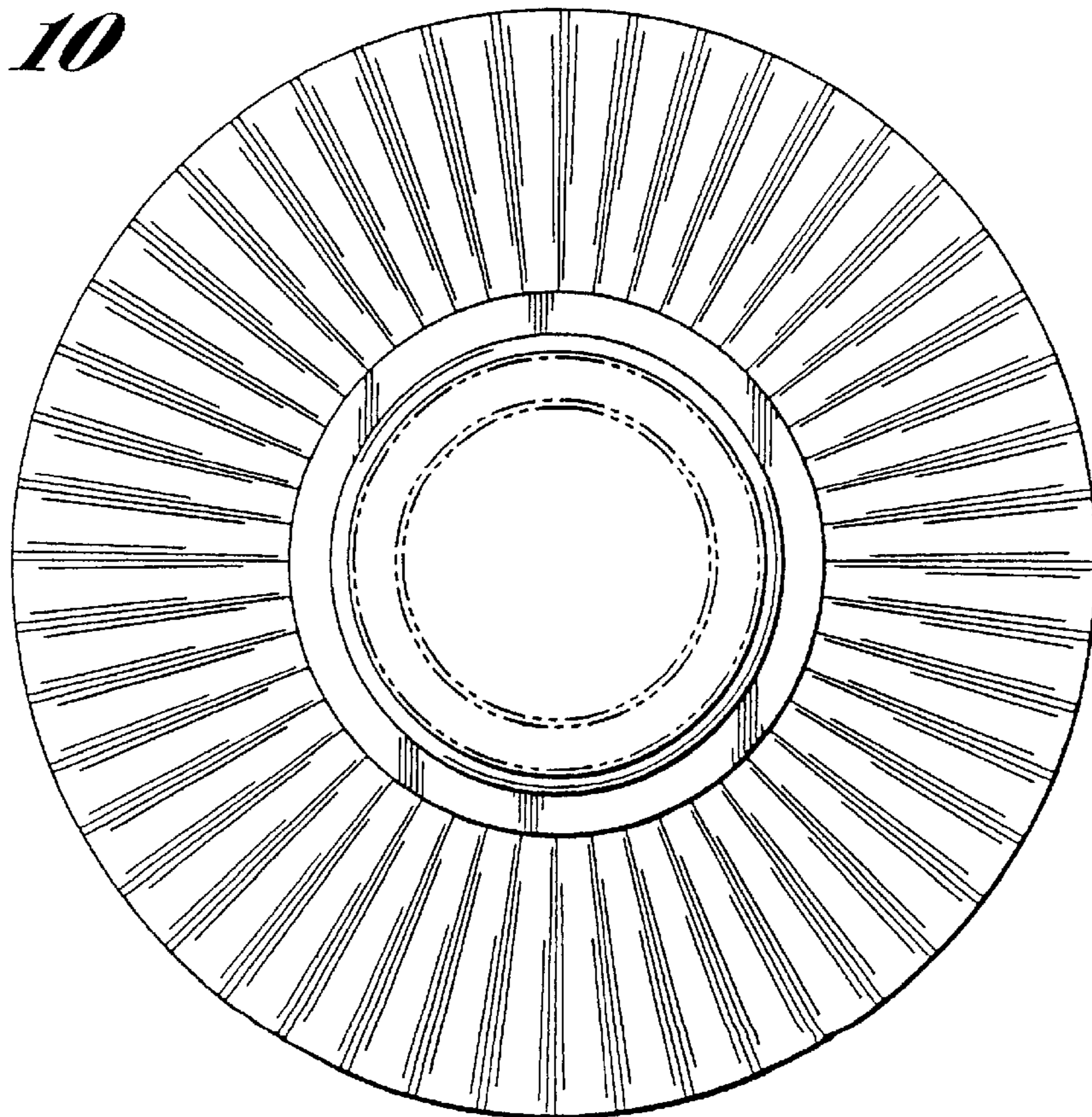


Fig. 10



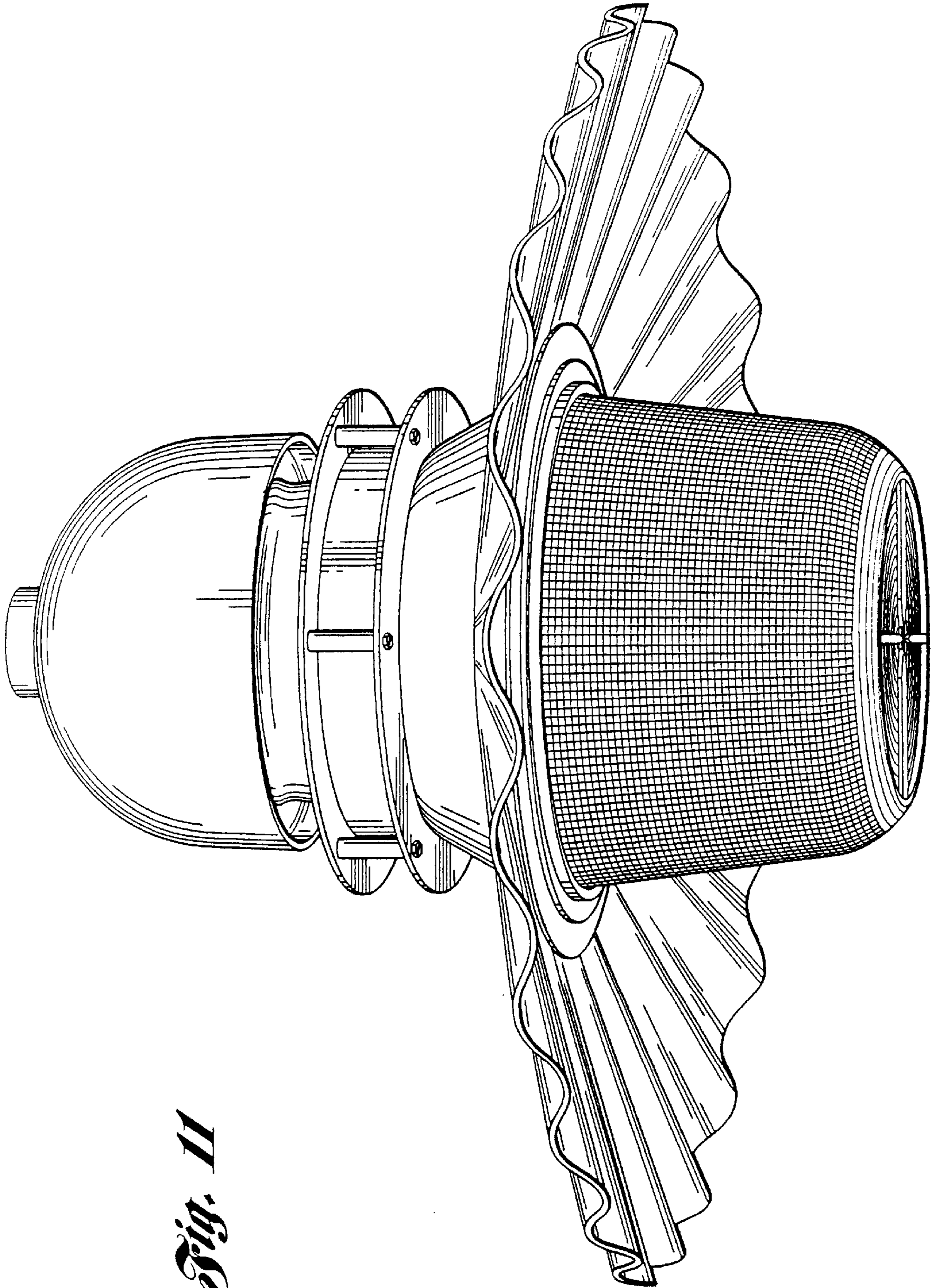


Fig. 11

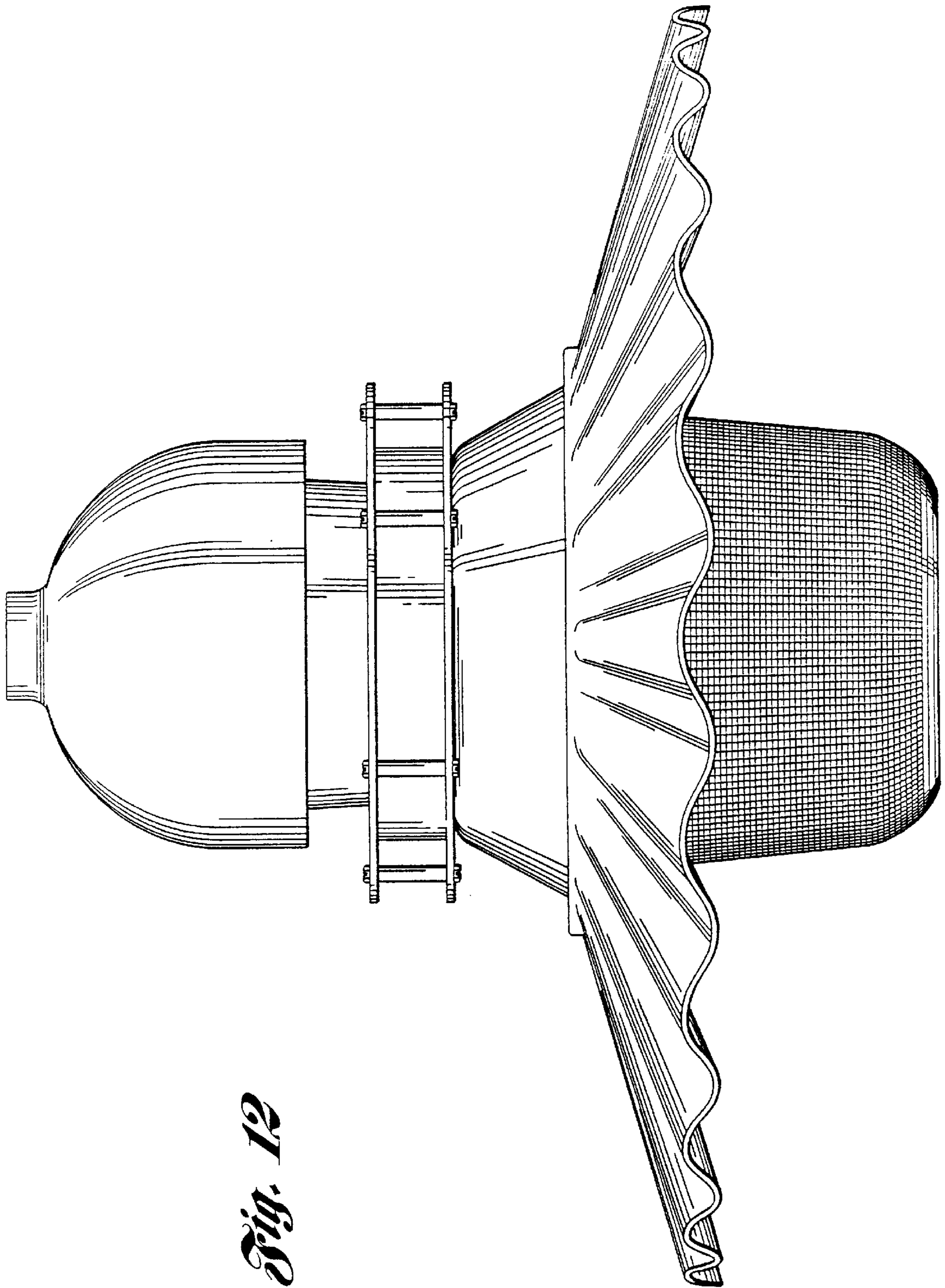


Fig. 12

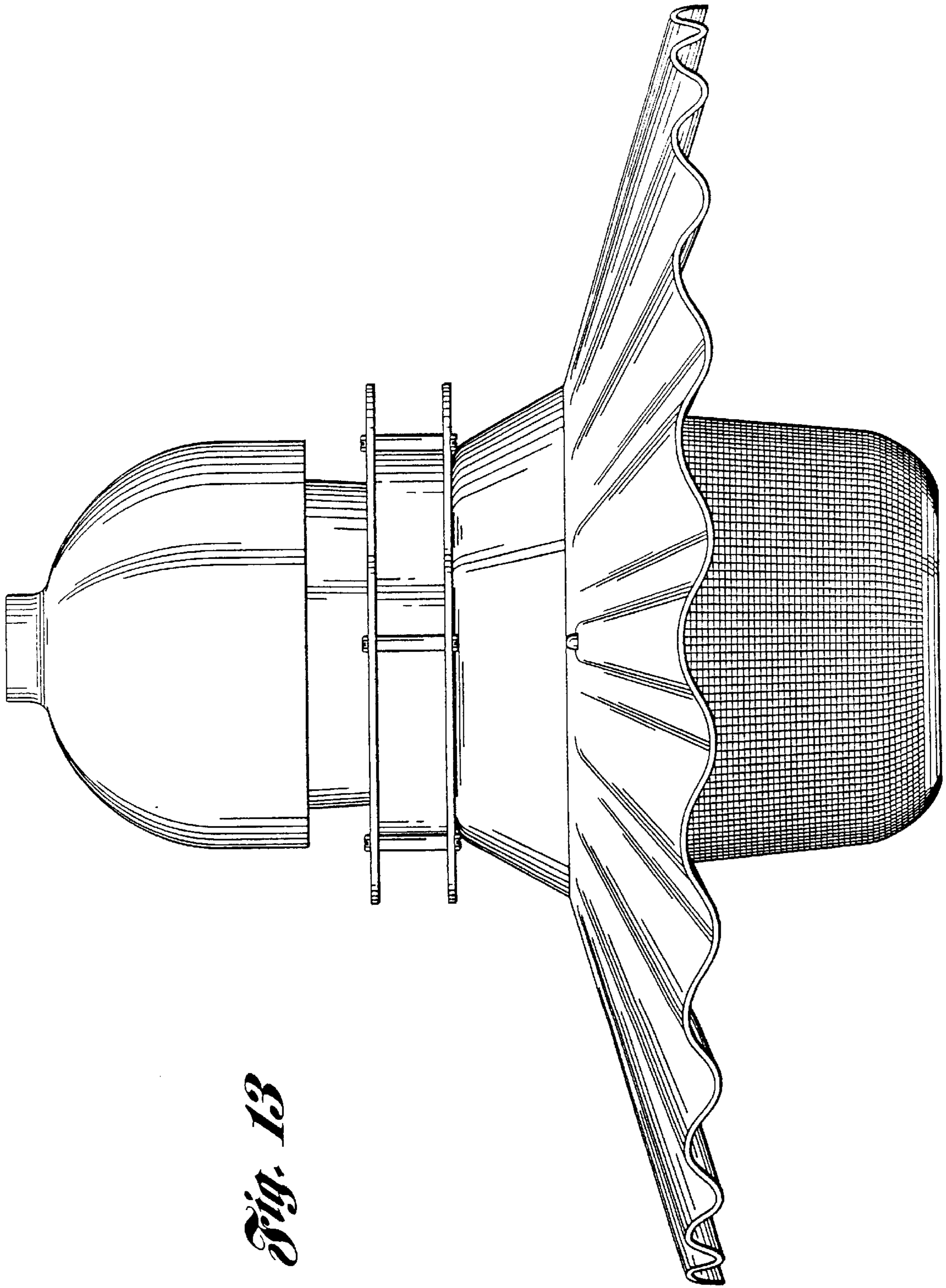


Fig. 13

Fig. 14

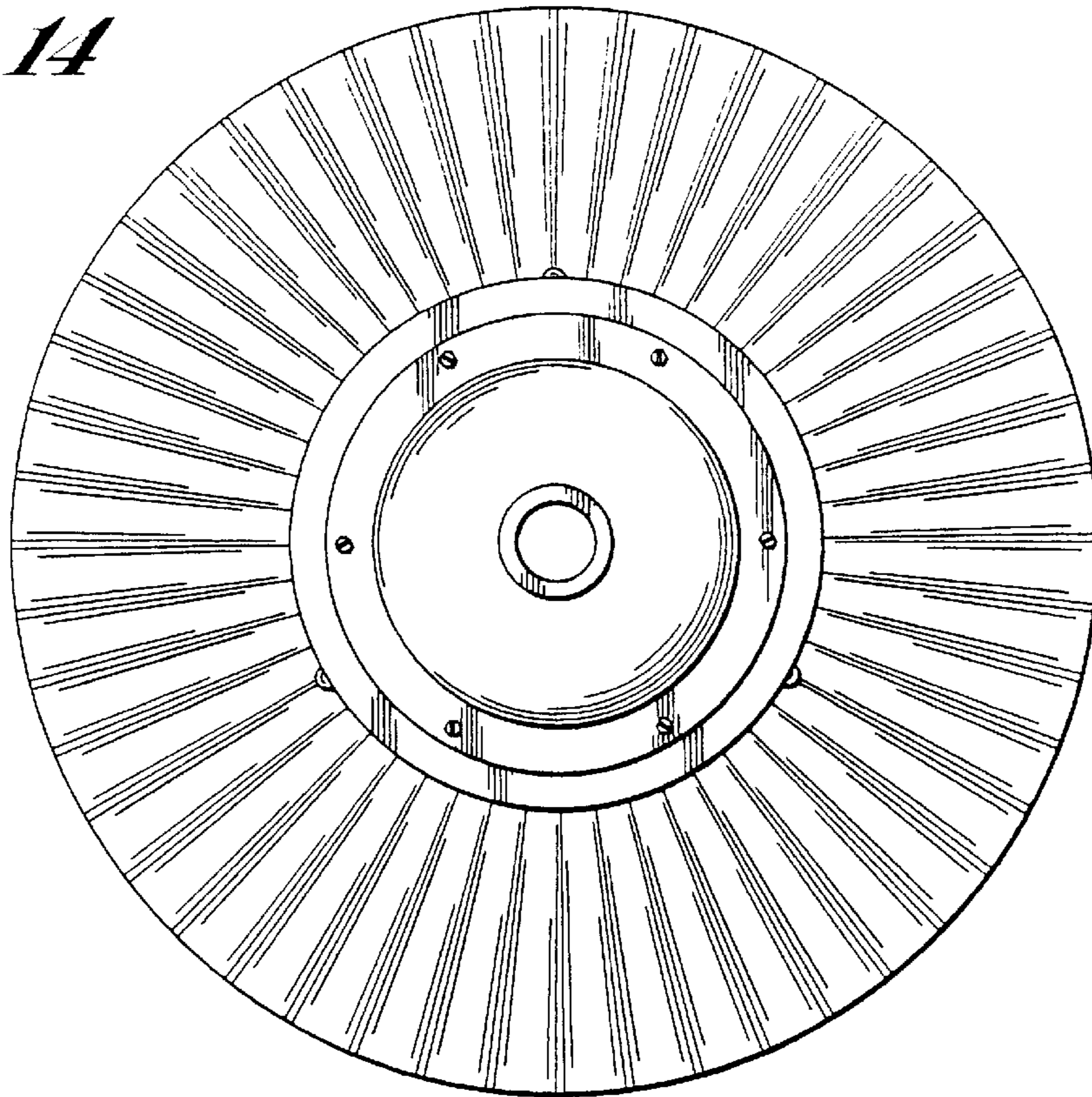
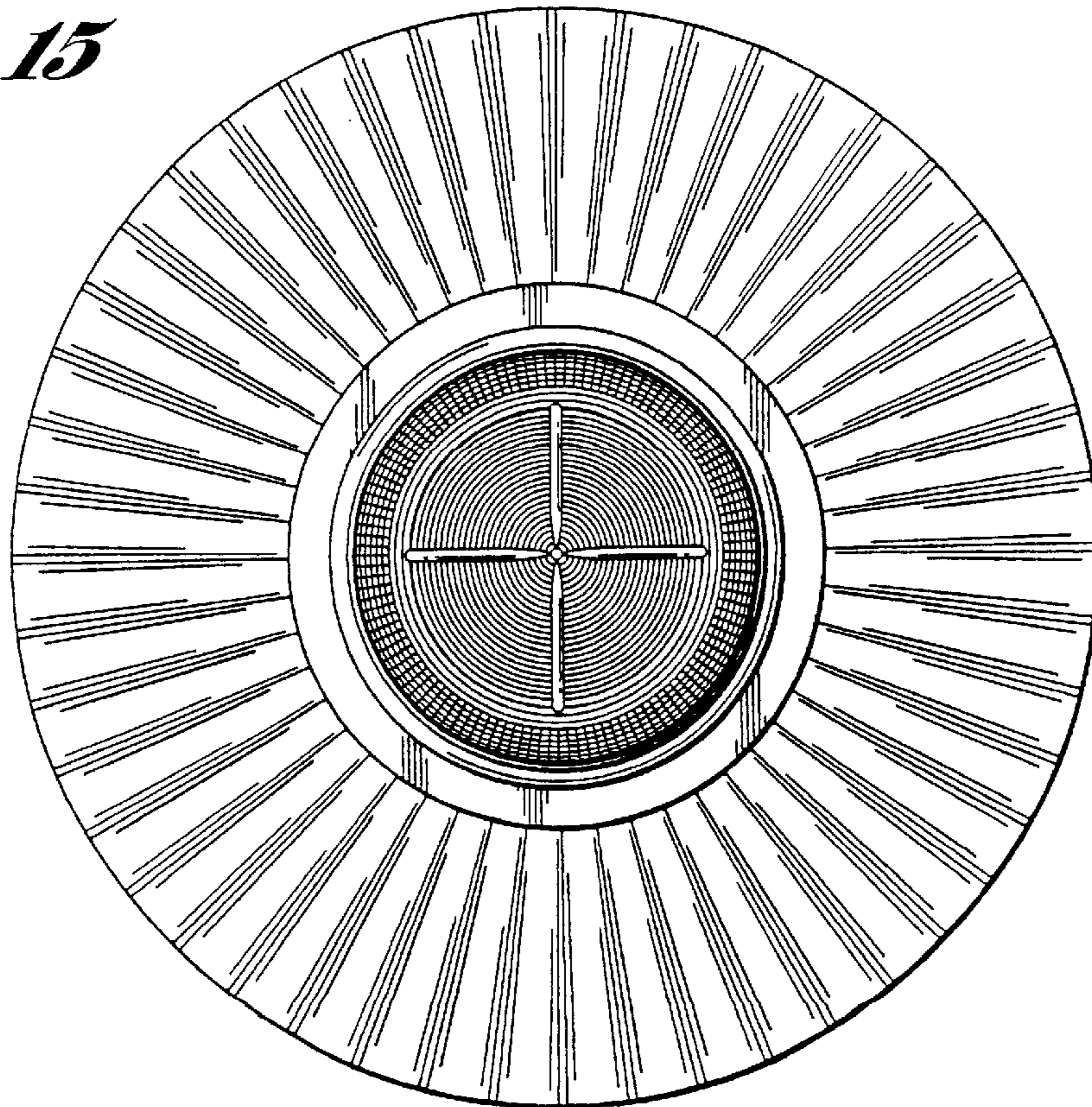


Fig. 15



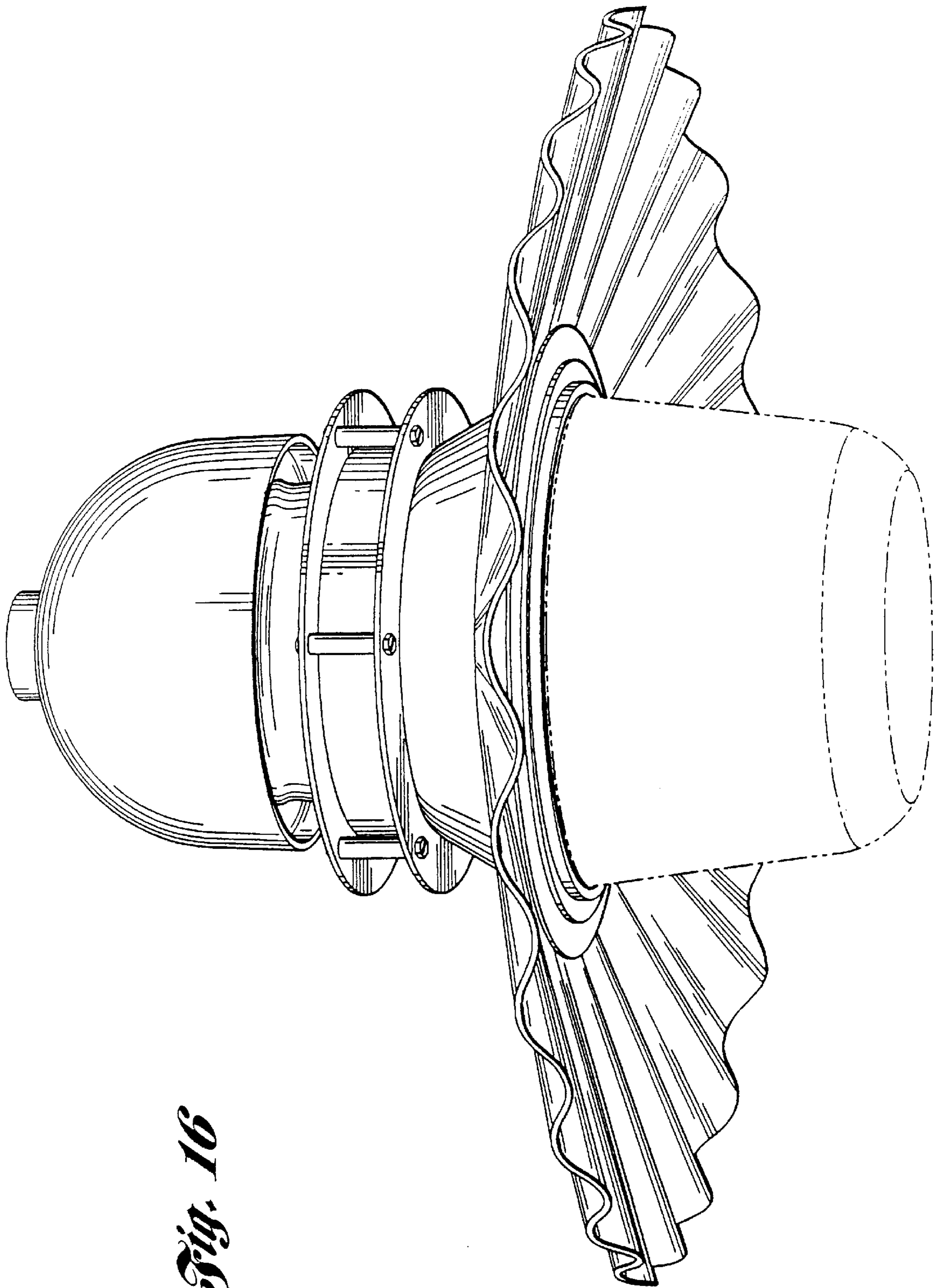


Fig. 16

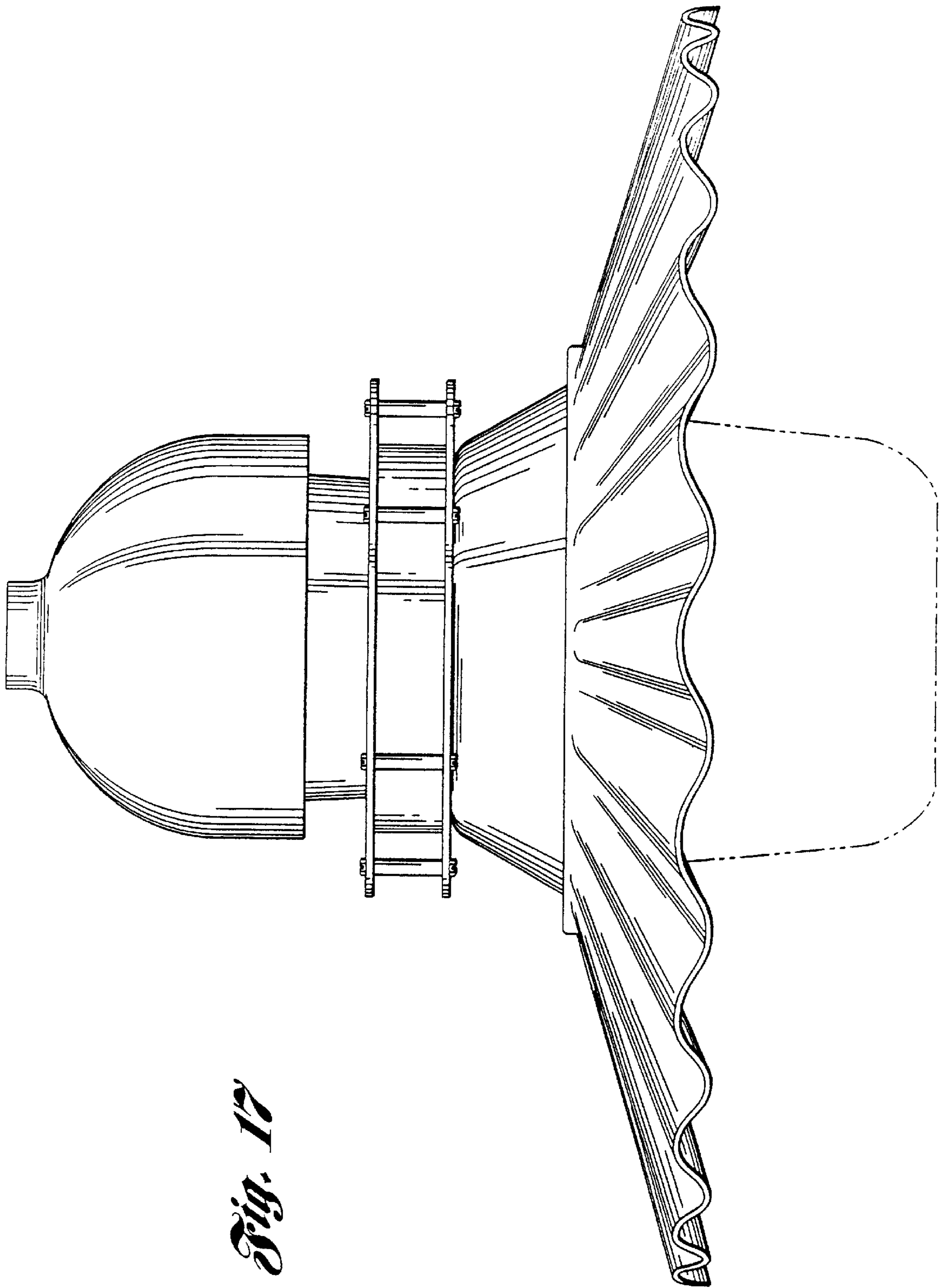


Fig. 17

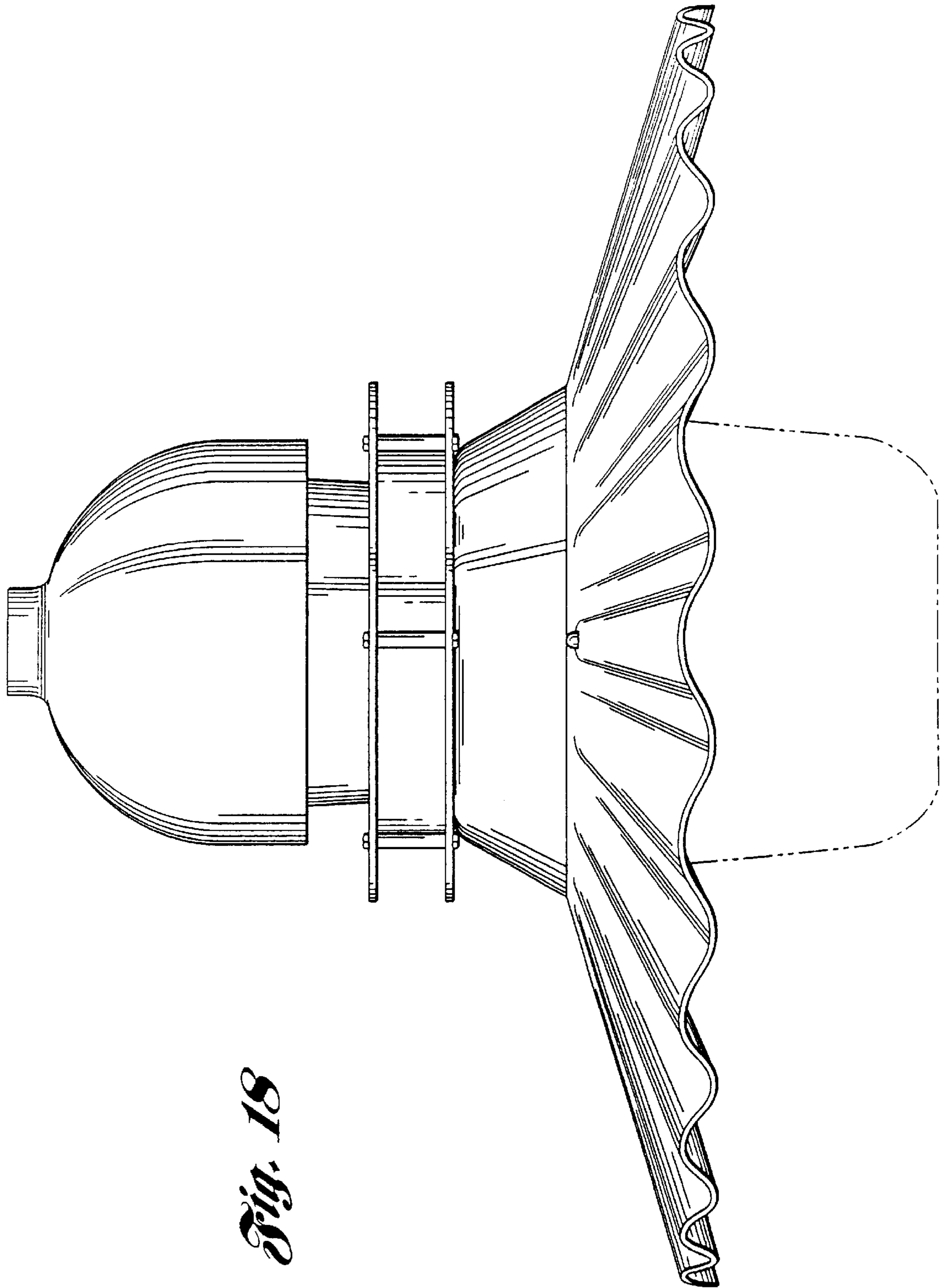


Fig. 18

Fig. 19

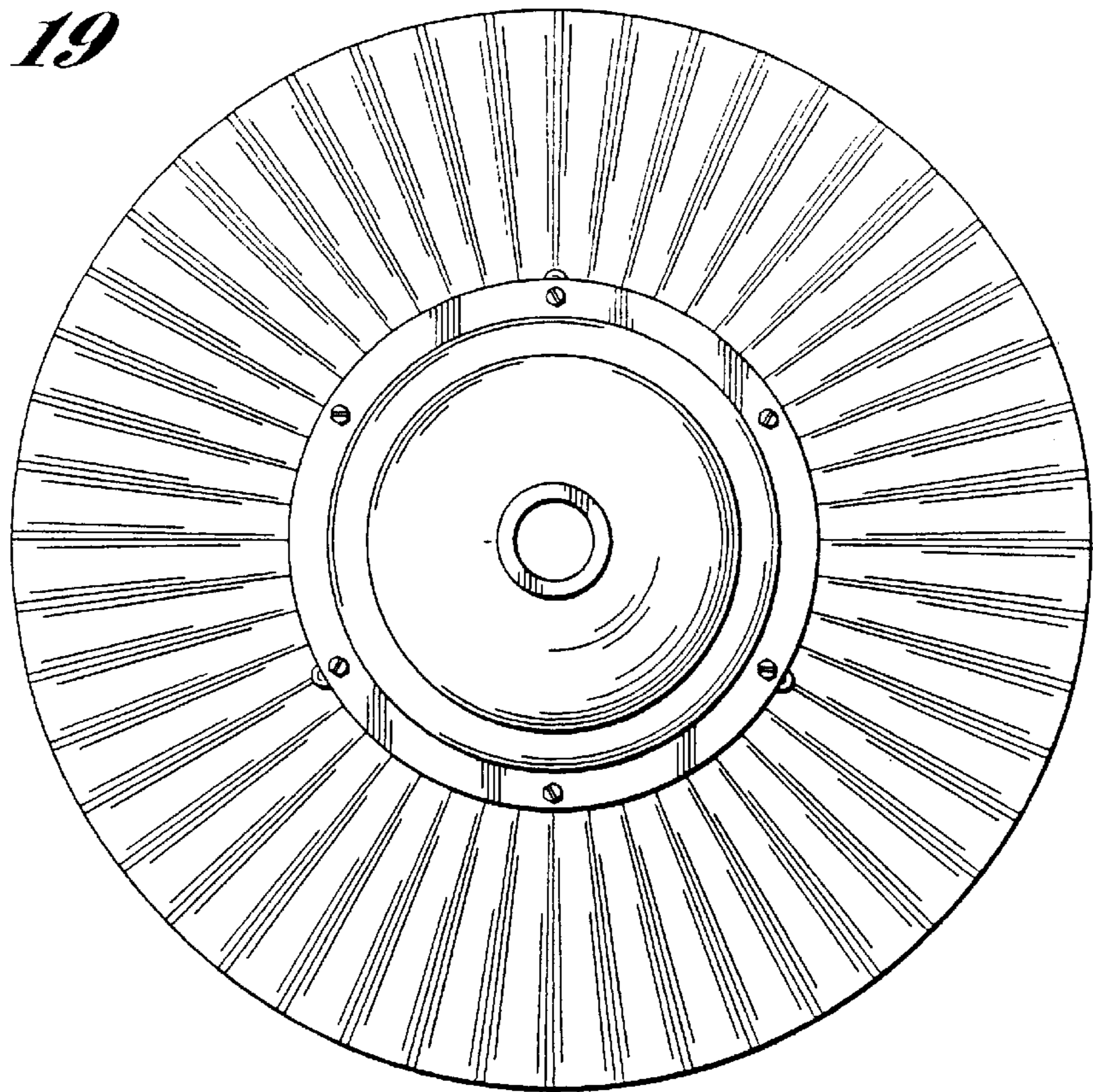


Fig. 20

