



US00D436680S

(12) United States Design Patent
Leen

(10) Patent No.: US D436,680 S

(45) Date of Patent: ** Jan. 23, 2001

(54) DOUBLE ROUND-FACED WORK LAMP

5,964,524 * 10/1999 Qian 362/414

**(76) Inventor: Monte A. Leen, 11730 NE. 12th St.,
Bellevue, WA (US) 98005**

* cited by examiner

() Term: 14 Years**

Primary Examiner—Susan J. Lucas

(74) Attorney, Agent, or Firm—Dean A. Craine

(21) Appl. No.: 29/122,863

(57) CLAIM

(22) Filed: May 2, 2000

The ornamental design for a double round-faced work lamp,
as shown and described.

(51) LOC (7) Cl. 26-05

DESCRIPTION

(52) U.S. Cl. D26/65

**(58) Field of Search D26/60-65, 118;
362/410-414, 269, 271, 272, 275, 281,
282, 285, 287, 418, 419, 427, 341, 347,
350, 361**

FIG. 1 is a perspective view of the double round-faced work
lamp.

FIG. 2 is a right side elevation view of the invention.

FIG. 3 is a left side elevation view of the invention.

FIG. 4 is a front elevation view of the invention.

FIG. 5 is a rear elevation view of the invention.

FIG. 6 is a top plan view of the invention; and,

FIG. 7 is a bottom plan view of the invention.

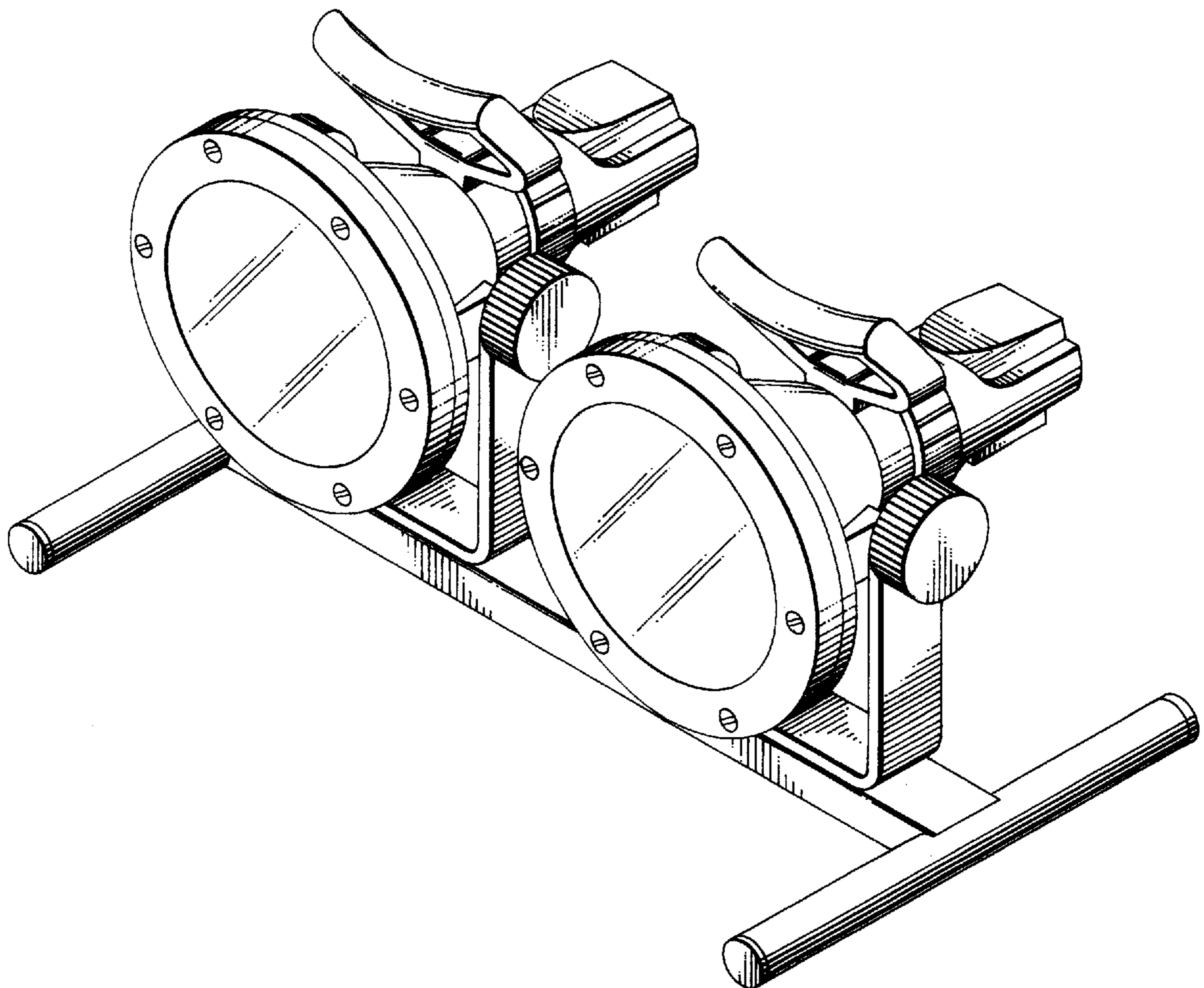
(56) References Cited

U.S. PATENT DOCUMENTS

D. 399,583 * 10/1998 Glese et al. D26/63

D. 420,159 * 2/2000 Duennes et al. D26/63

1 Claim, 3 Drawing Sheets



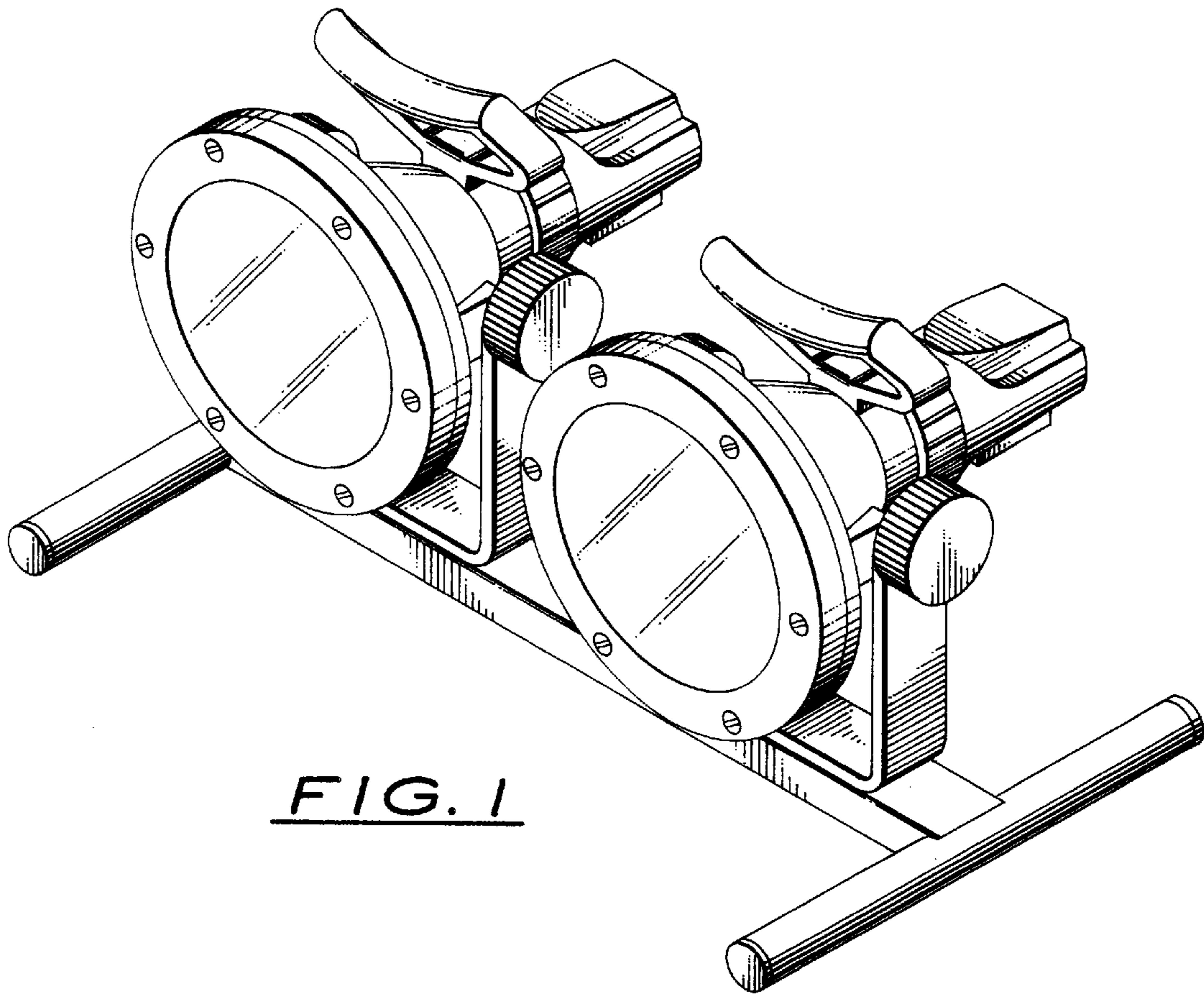


FIG. 1

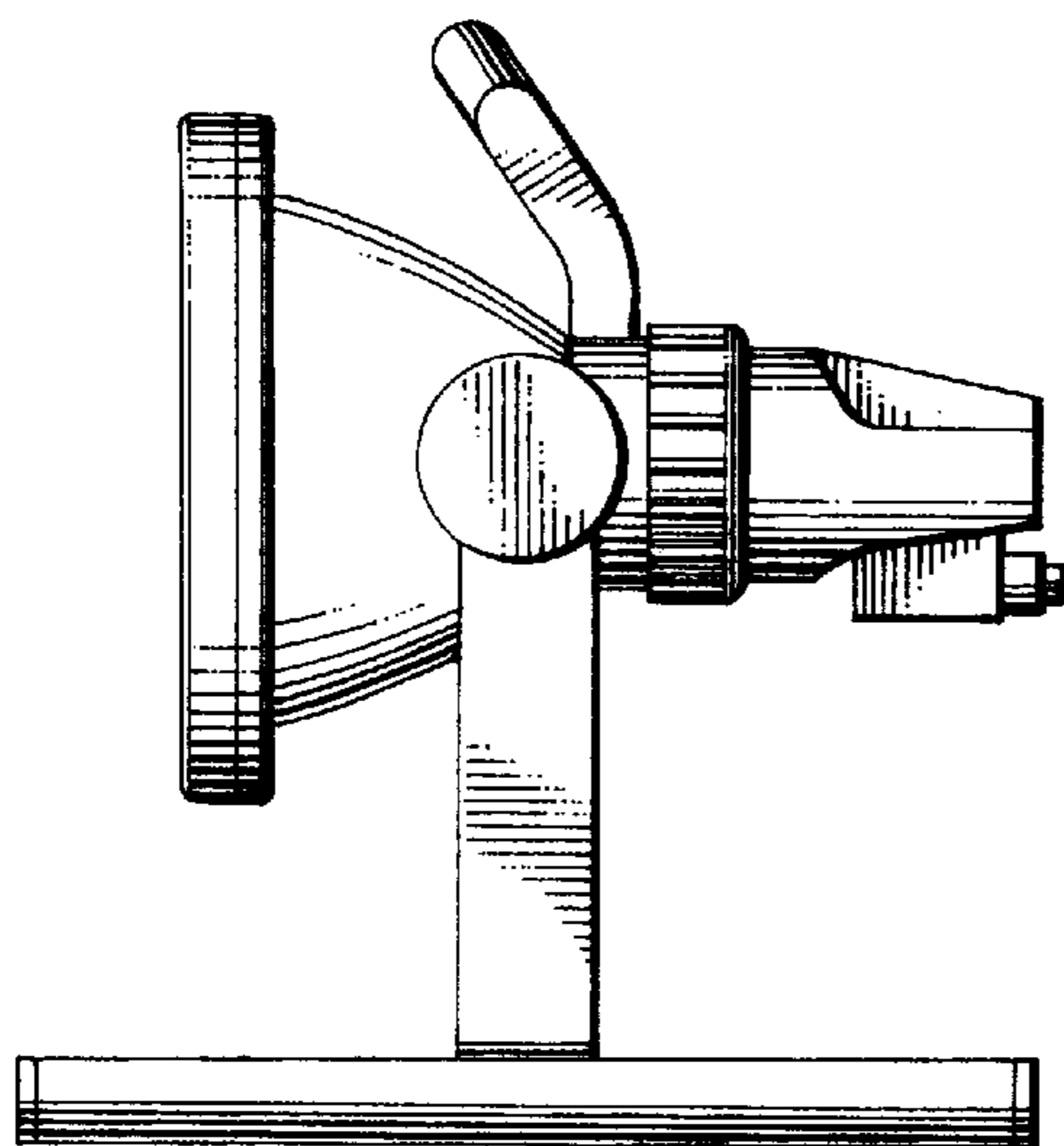


FIG. 2

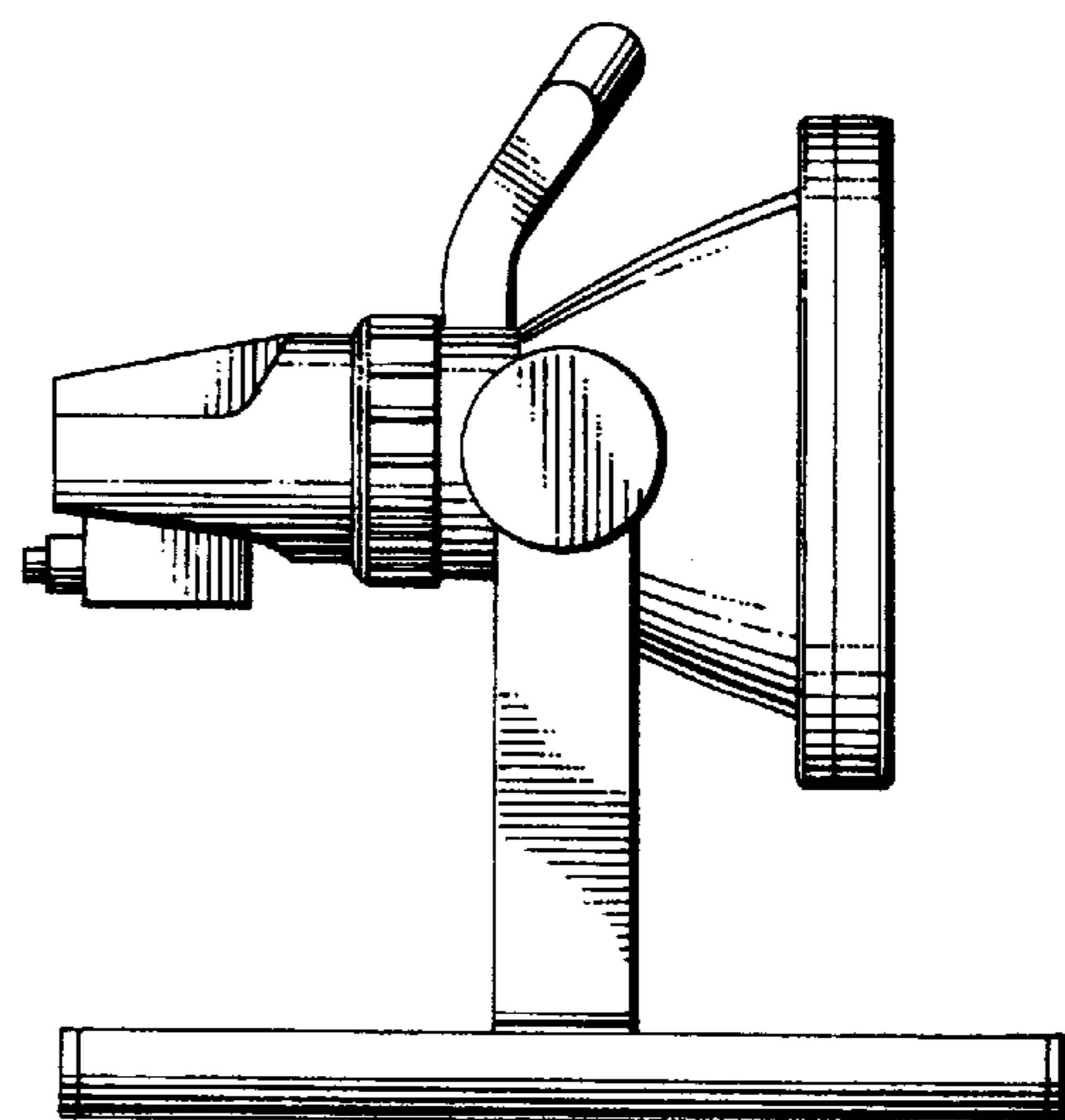


FIG. 3

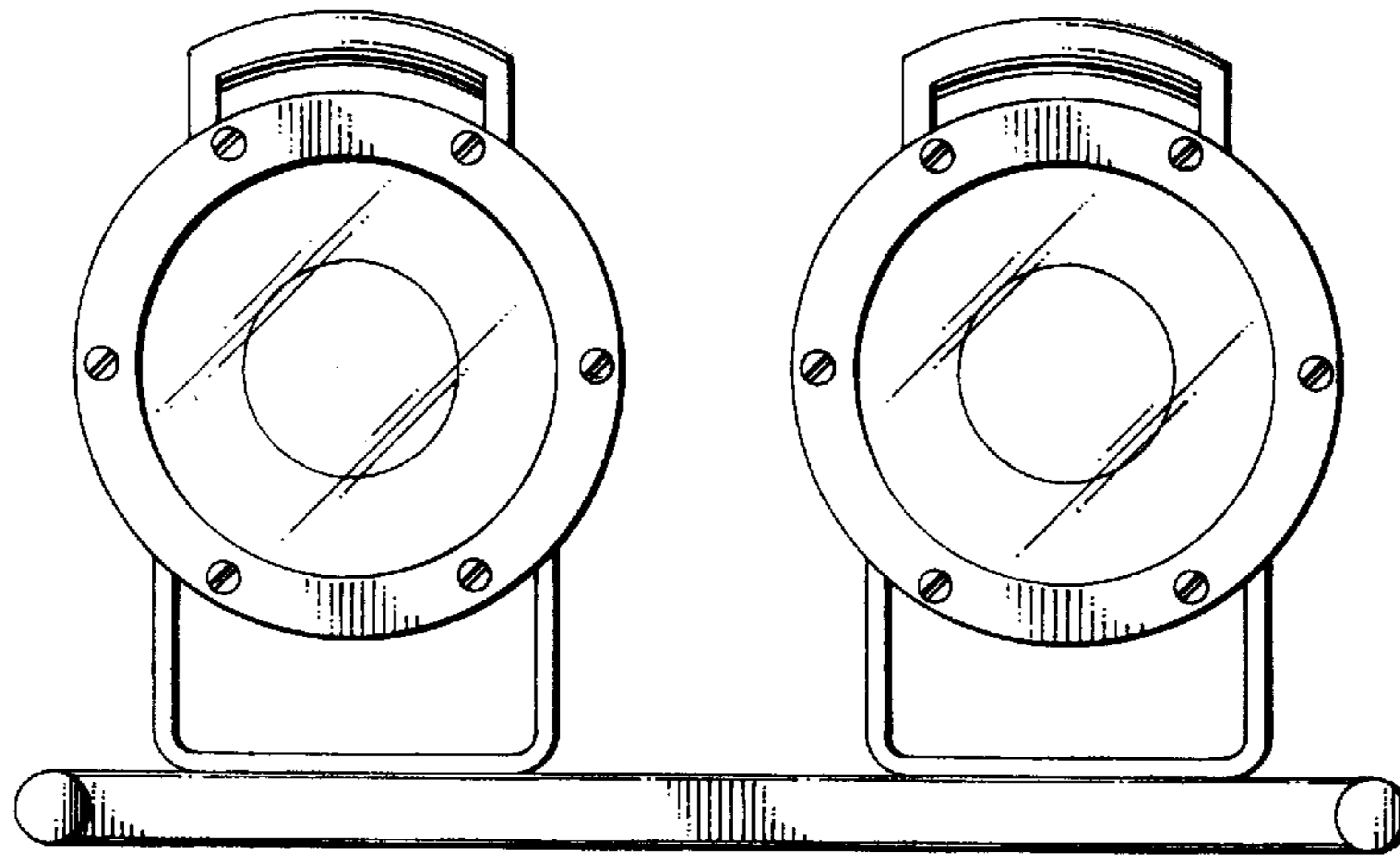


FIG. 4

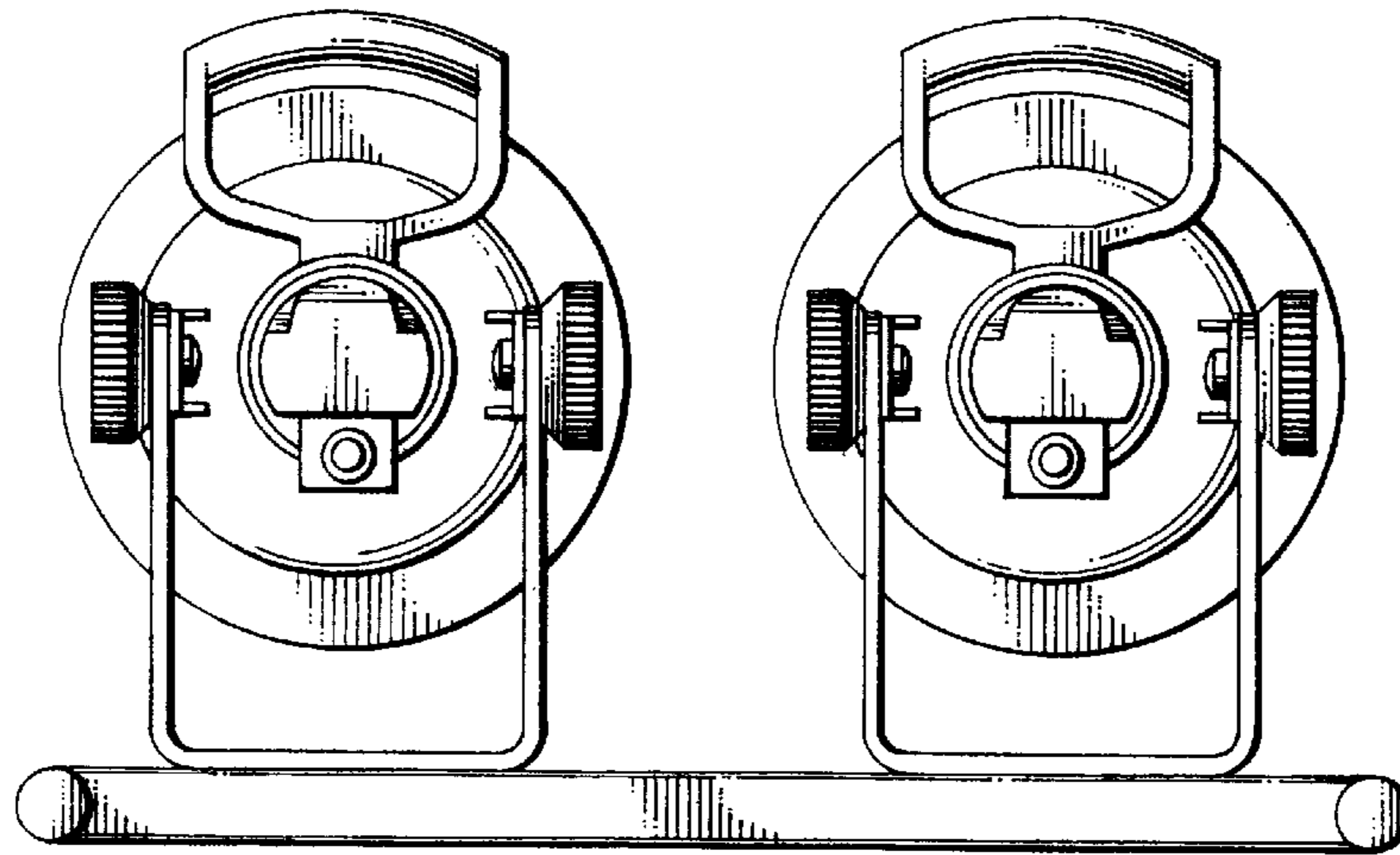


FIG. 5

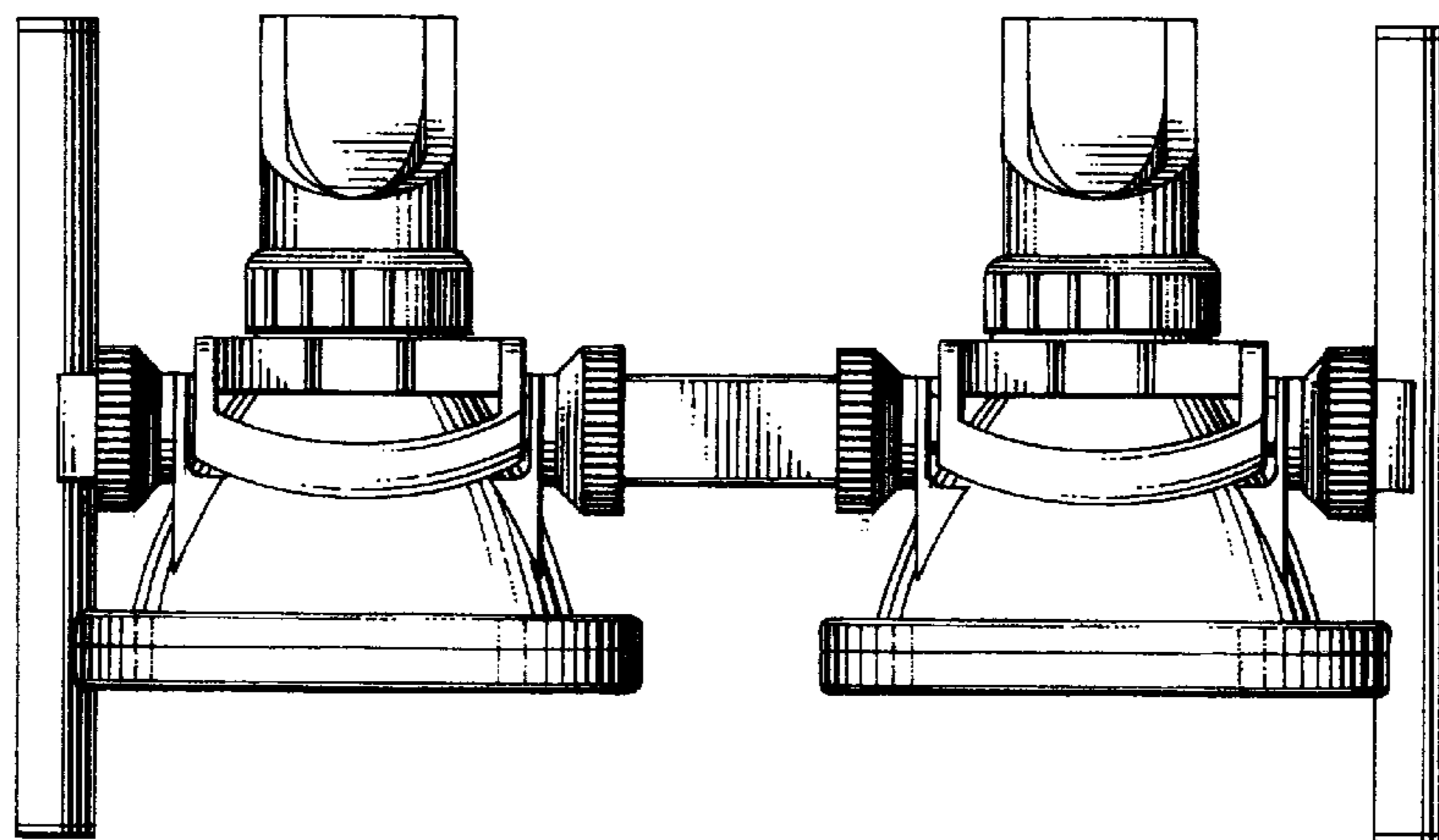


FIG. 6

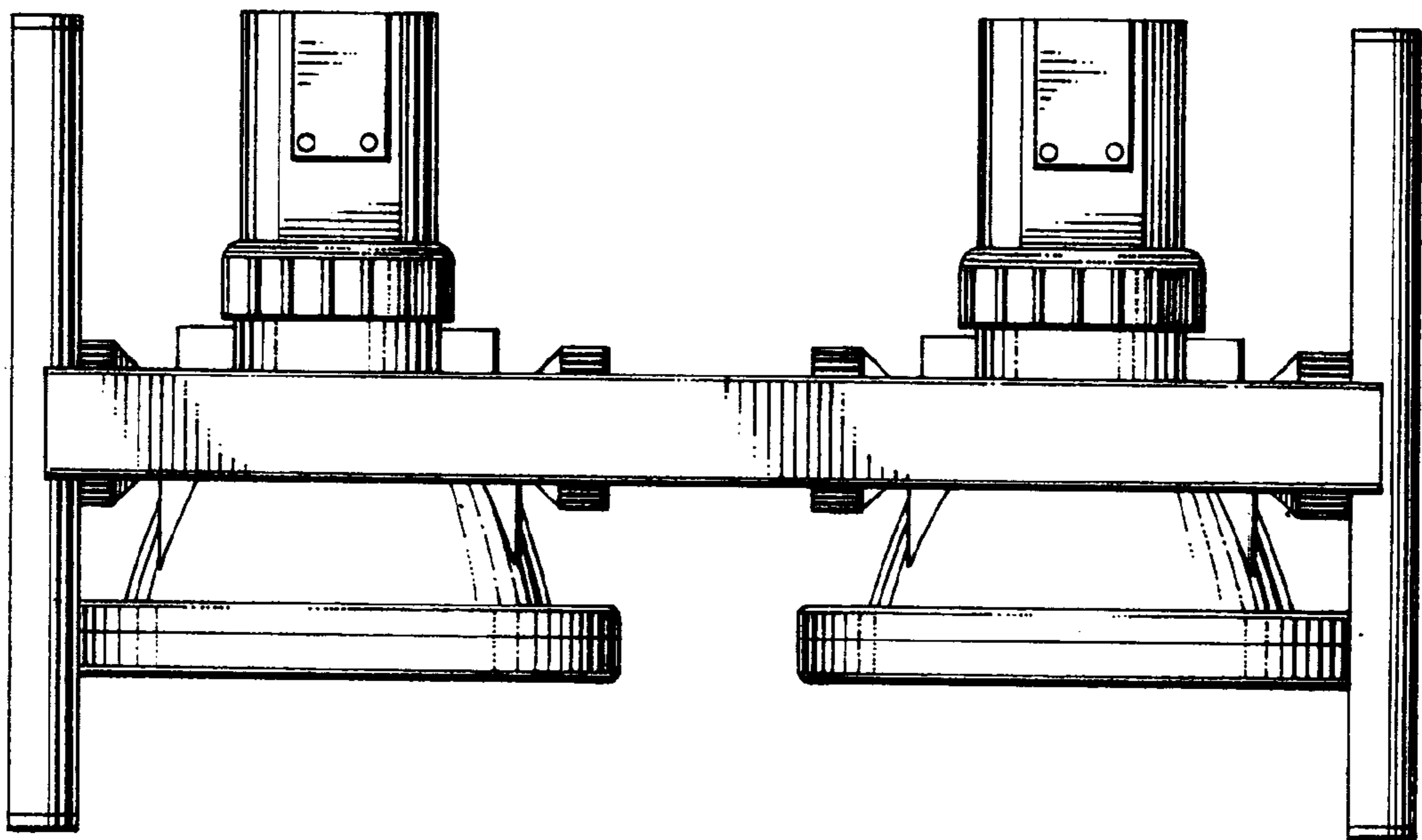


FIG. 7