



US00D436679S

(12) **United States Design Patent**
Leen

(10) **Patent No.:** **US D436,679 S**

(45) **Date of Patent:** **** Jan. 23, 2001**

(54) **ROUND-FACED WORK LAMP**

(76) Inventor: **Monte A. Leen**, 11730 NE. 12th St.,
Bellevue, WA (US) 98005

(**) Term: **14 Years**

(21) Appl. No.: **29/122,862**

(22) Filed: **May 2, 2000**

(51) **LOC (7) Cl.** **26-05**

(52) **U.S. Cl.** **D26/65**

(58) **Field of Search** D26/60-65, 118;
362/410-414, 269, 271, 272, 275, 281,
282, 285, 287, 418, 419, 427, 341, 347,
350, 361

(56) **References Cited**

U.S. PATENT DOCUMENTS

D. 399,583 * 10/1998 Glese et al. D26/63

D. 403,455 * 12/1998 Duennes D26/63 X

D. 420,159 * 2/2000 Duennes et al. D26/63
6,050,710 * 4/2000 Grossman et al. 362/427

* cited by examiner

Primary Examiner—Susan J. Lucas

(74) *Attorney, Agent, or Firm*—Dean A. Craine

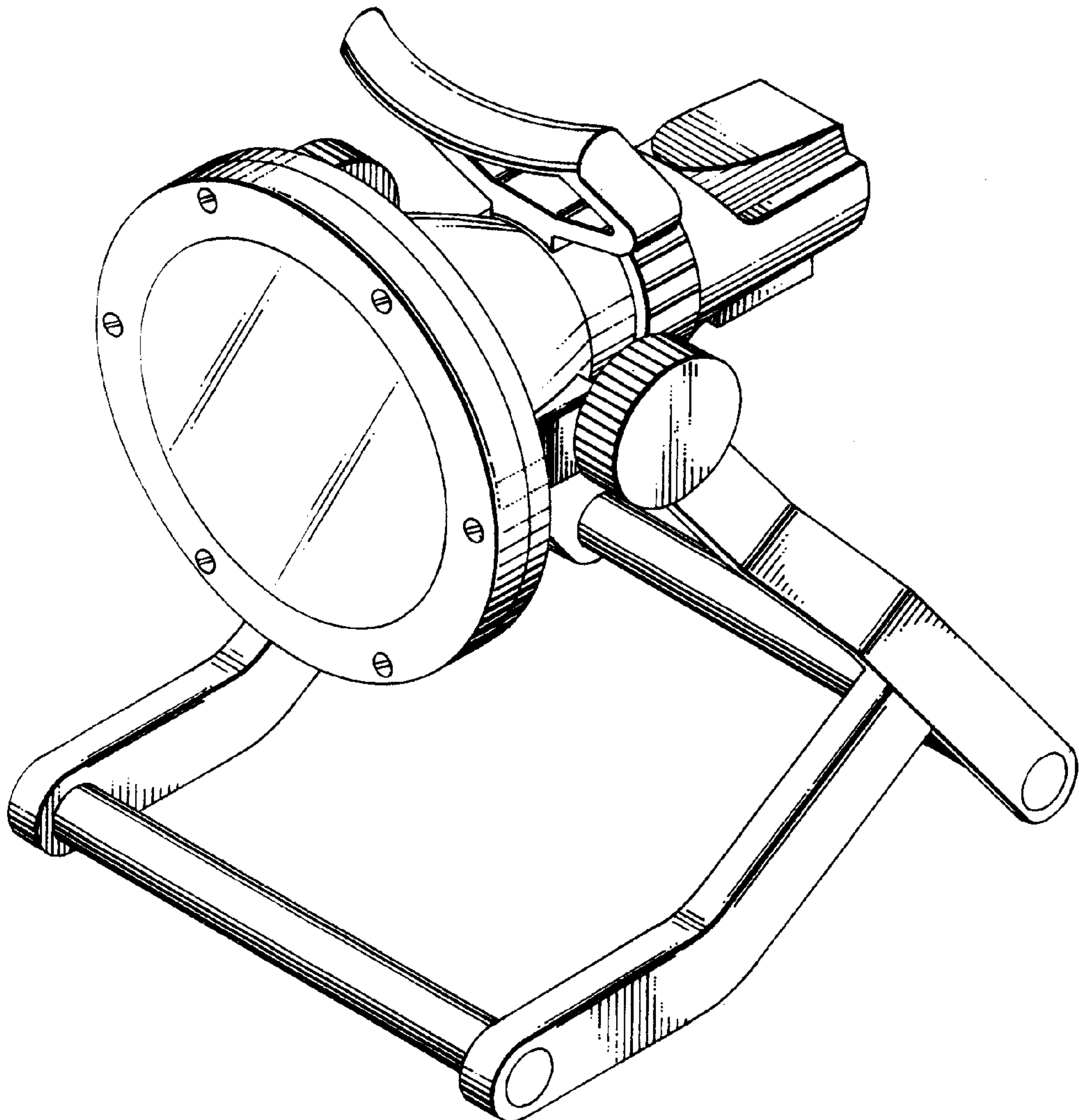
(57) **CLAIM**

The ornamental design for a round-faced work lamp, as shown and described.

DESCRIPTION

FIG. 1 is a perspective view of the round-faced work lamp. FIG. 2 is a right side elevation view of the invention. FIG. 3 is a left side elevation view of the invention. FIG. 4 is a front elevation view of the invention. FIG. 5 is a rear elevation view of the invention. FIG. 6 is a top plan view of the invention; and, FIG. 7 is a bottom plan view of the invention.

1 Claim, 2 Drawing Sheets



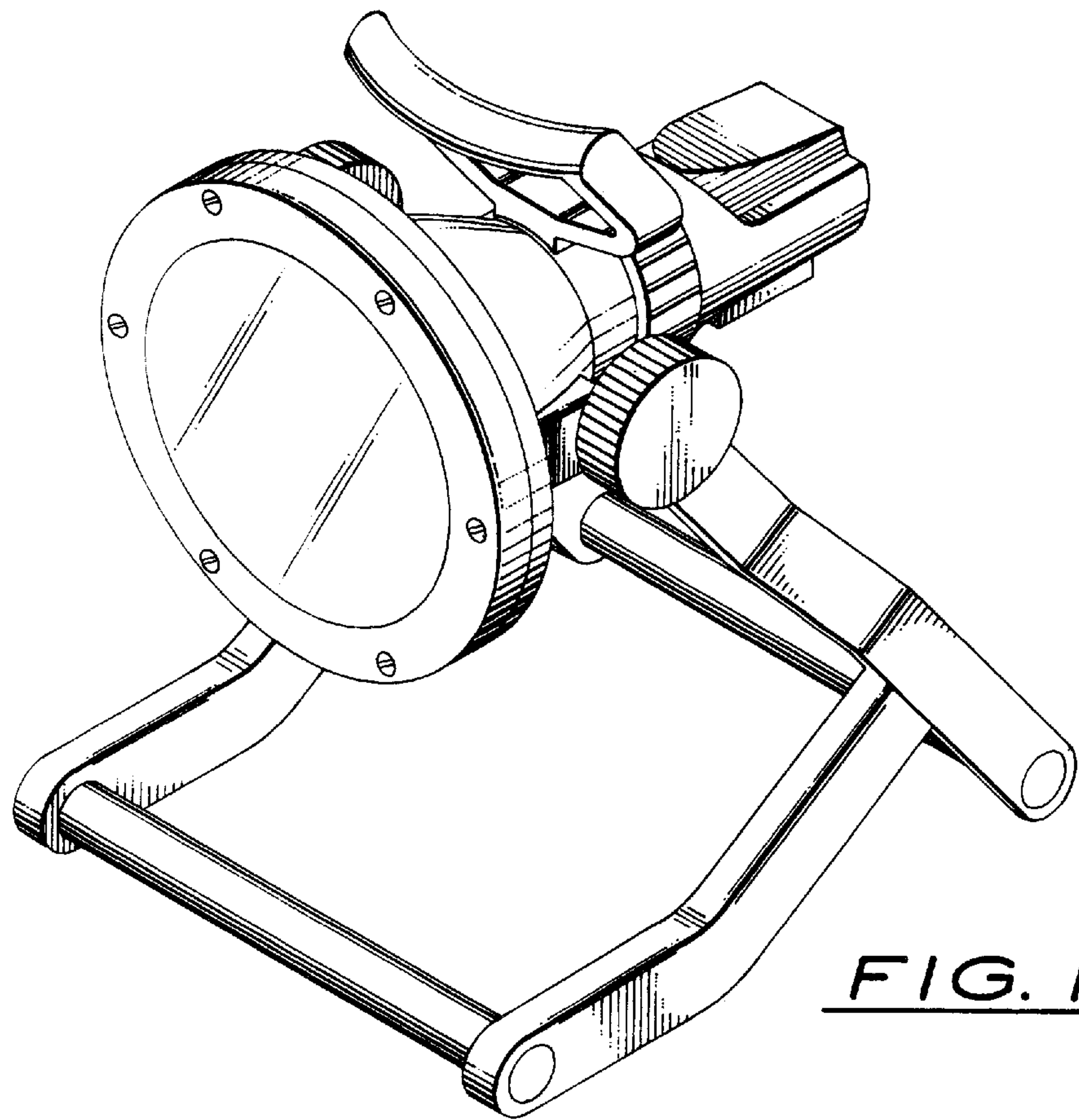


FIG. 1

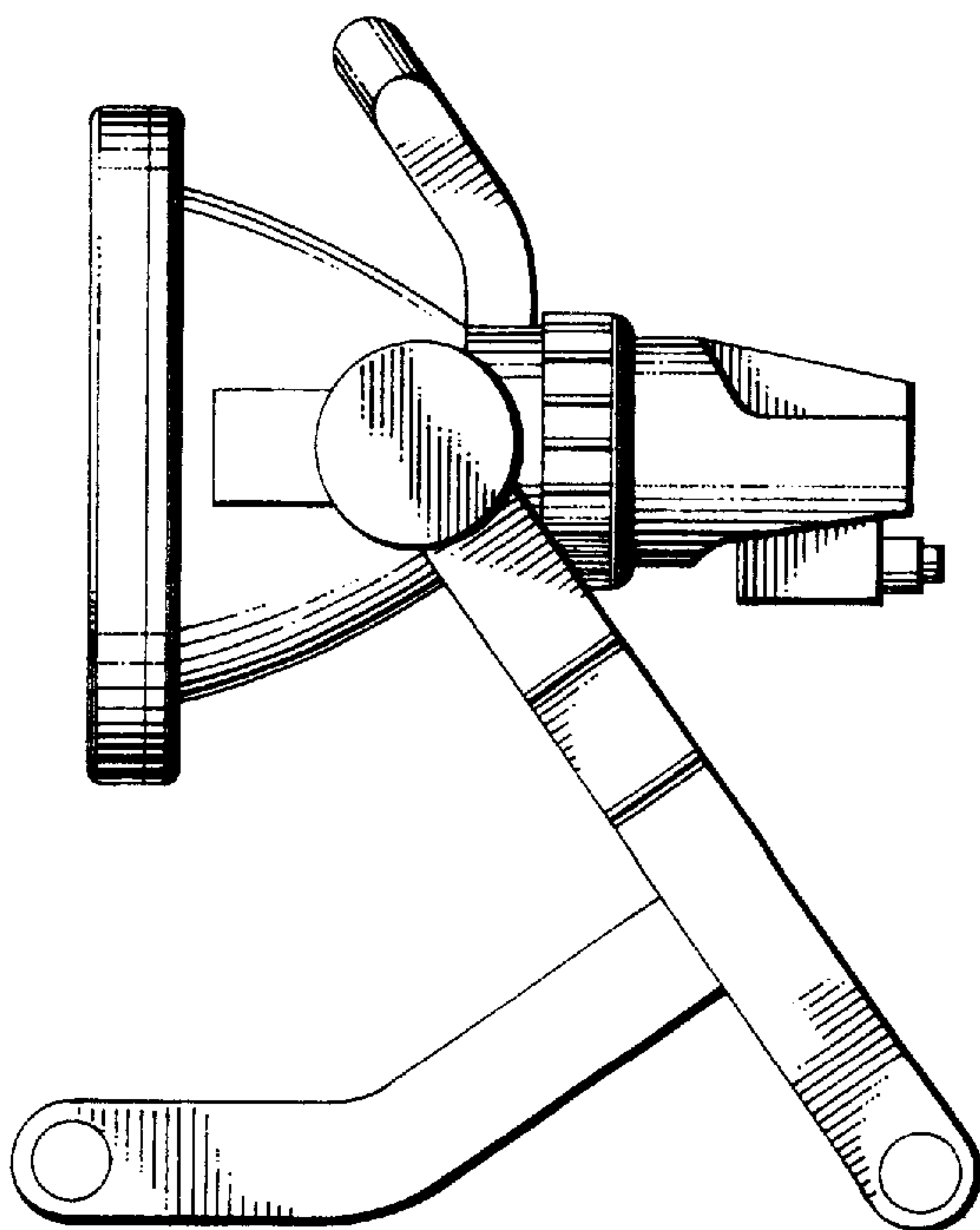


FIG. 2

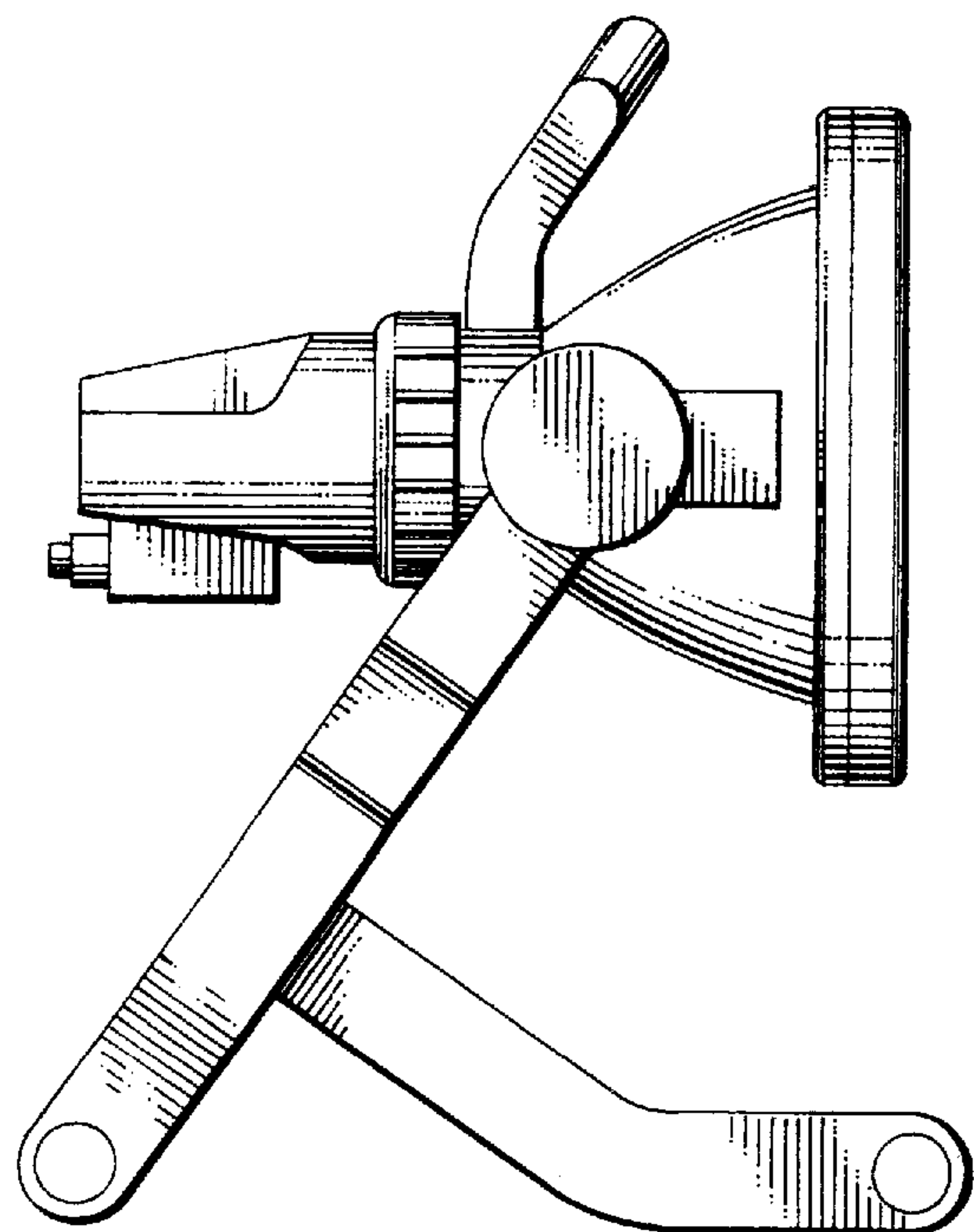


FIG. 3

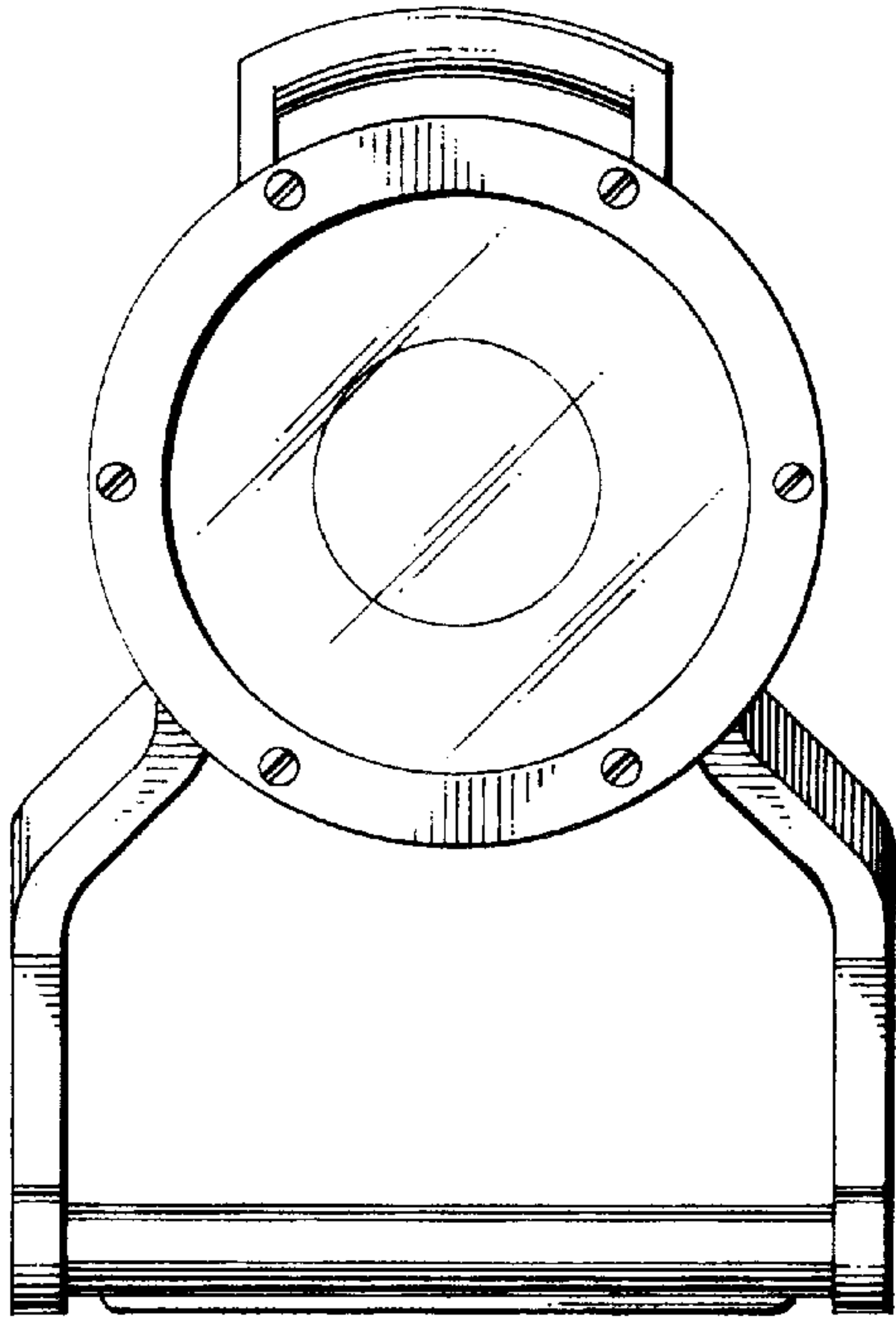


FIG. 4

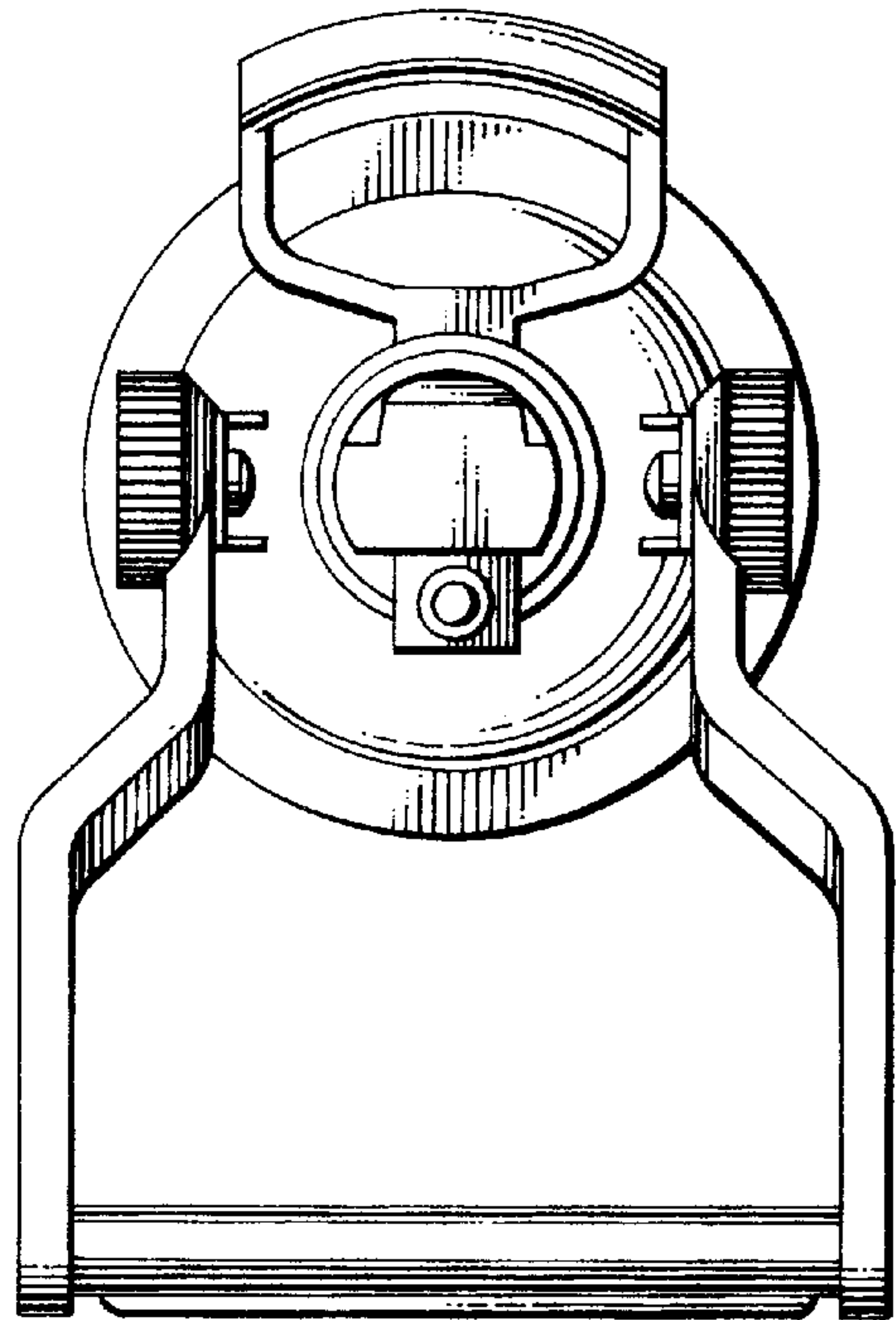


FIG. 5

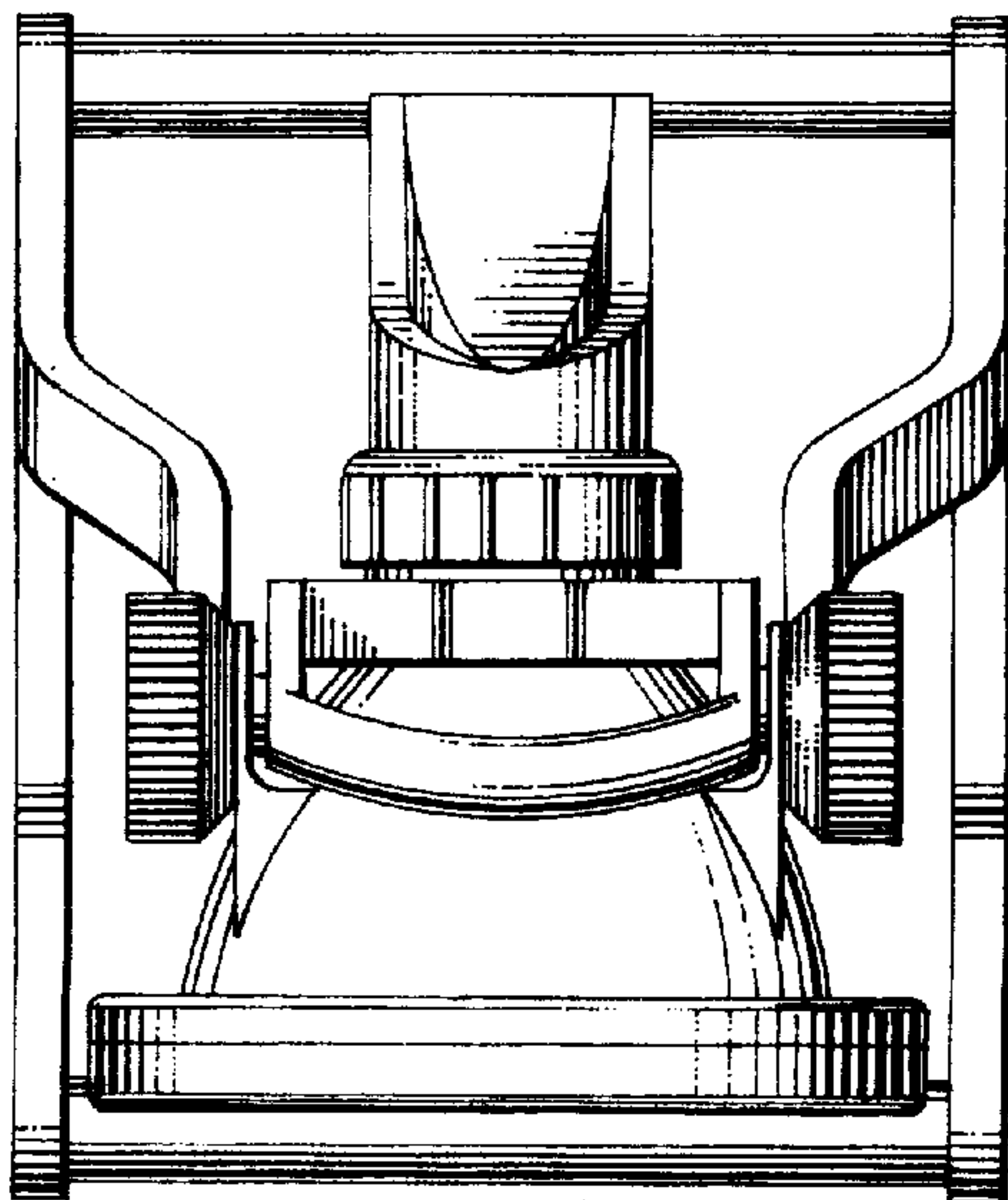


FIG. 6

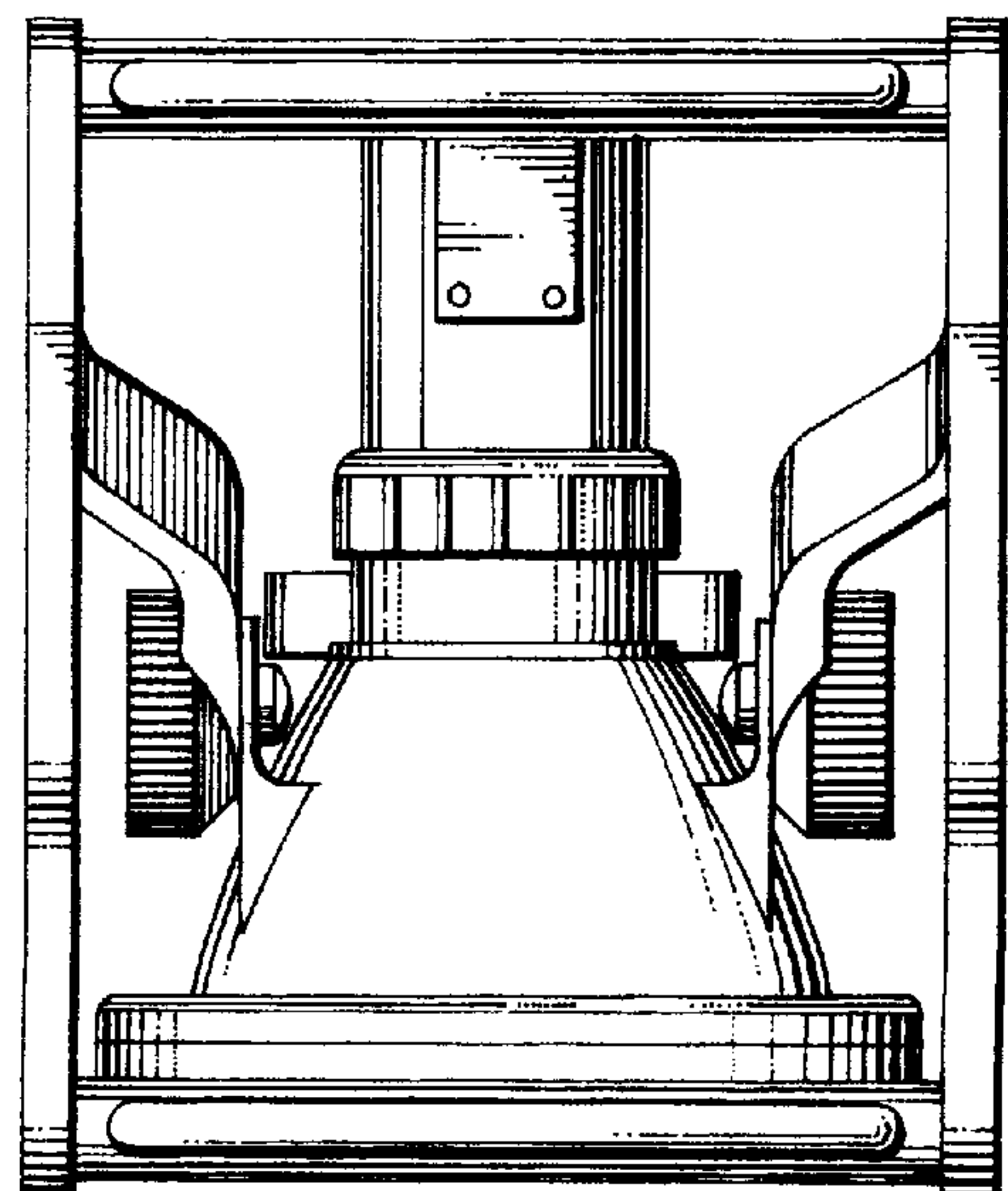


FIG. 7