



US00D436677S

(12) **United States Design Patent**  
**Huo-Tu**

(10) **Patent No.:** **US D436,677 S**

(45) **Date of Patent:** **\*\* Jan. 23, 2001**

(54) **SUPPORT FRAME OF A TABLE LAMP**

(75) Inventor: **Huang Huo-Tu**, Taipei Hsien (TW)

(73) Assignee: **Huangslite Industrial Co., Ltd.**, Taipei Hsien (TW)

(\*\*) Term: **14 Years**

(21) Appl. No.: **29/122,819**

(22) Filed: **May 4, 2000**

(51) **LOC (7) Cl.** ..... **26-05**

(52) **U.S. Cl.** ..... **D26/63**

(58) **Field of Search** ..... D26/60-65, 118;  
362/410-414, 269, 271, 272, 275, 281,  
282, 285, 287, 418, 419, 427

(56) **References Cited**

**U.S. PATENT DOCUMENTS**

- D. 398,411 \* 9/1998 Yang ..... D26/65
- D. 405,903 \* 2/1999 Lin ..... D26/64
- D. 417,924 \* 12/1999 Chen ..... D26/65

**OTHER PUBLICATIONS**

Taiwan Lighting, Feb. 1998, p. 107, desk lamp #T112-21.\*

\* cited by examiner

*Primary Examiner*—Susan J. Lucas

(74) *Attorney, Agent, or Firm*—Bacon & Thomas, PLLC

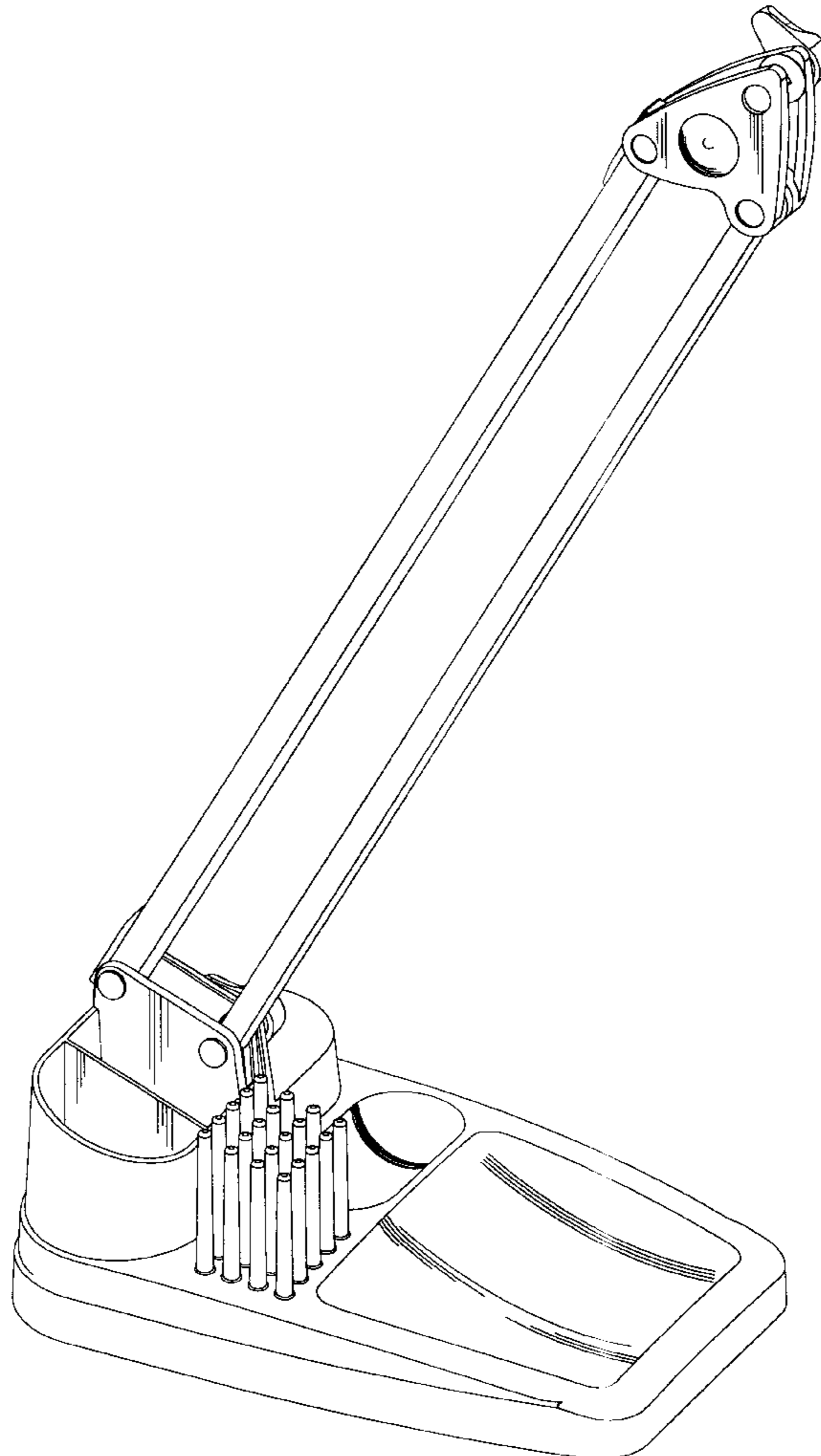
(57) **CLAIM**

The ornamental design for support frame of a table lamp, as shown and described.

**DESCRIPTION**

FIG. 1. is a top, front right side perspective view thereof;  
FIG. 2. is a front elevational view thereof;  
FIG. 3. is a rear elevational view thereof;  
FIG. 4. is a left elevational view thereof;  
FIG. 5. is a right elevational view thereof;  
FIG. 6. is a top plan view thereof; and,  
FIG. 7. is a bottom plan view thereof.

**1 Claim, 7 Drawing Sheets**



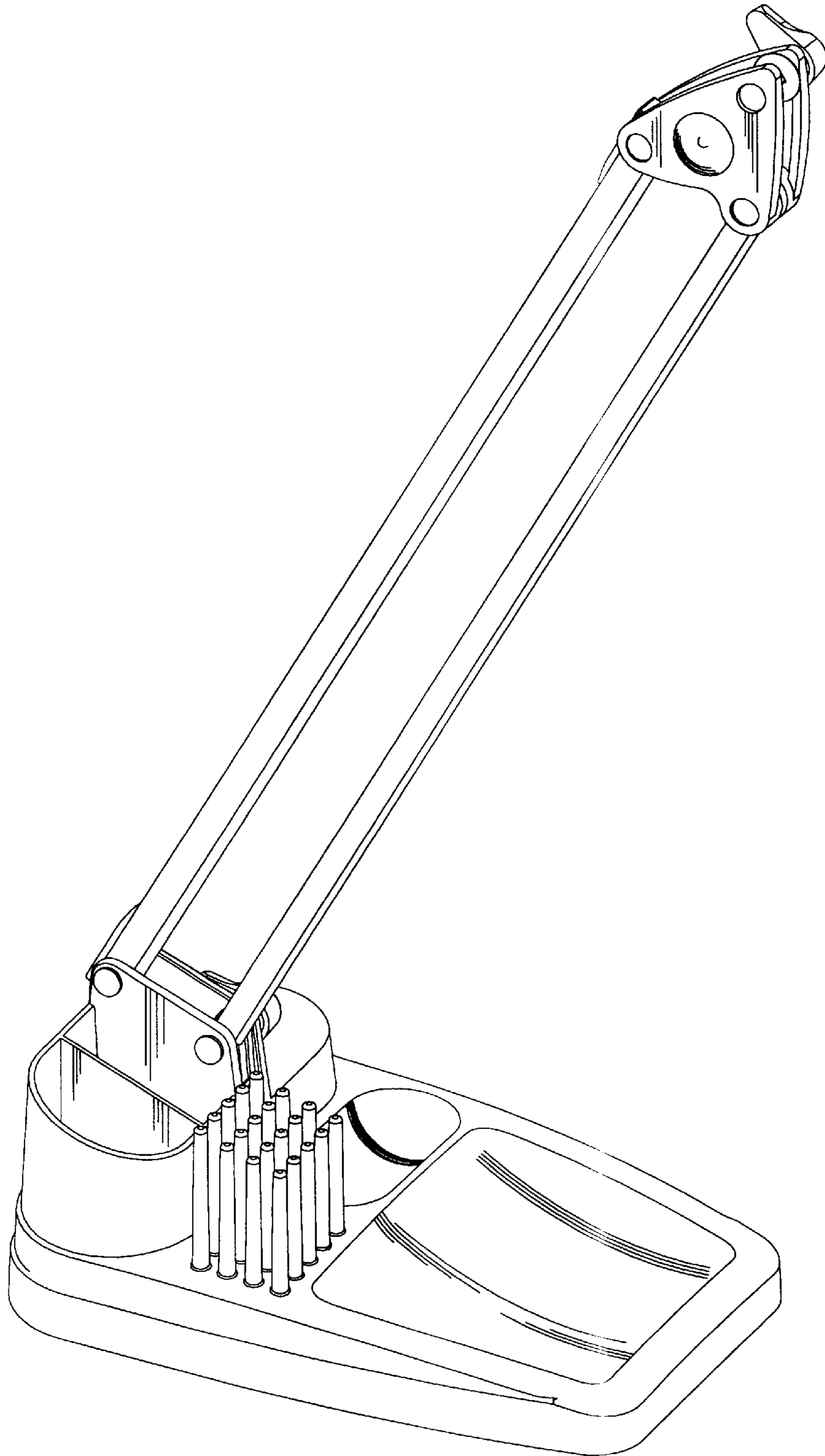


FIG. 1

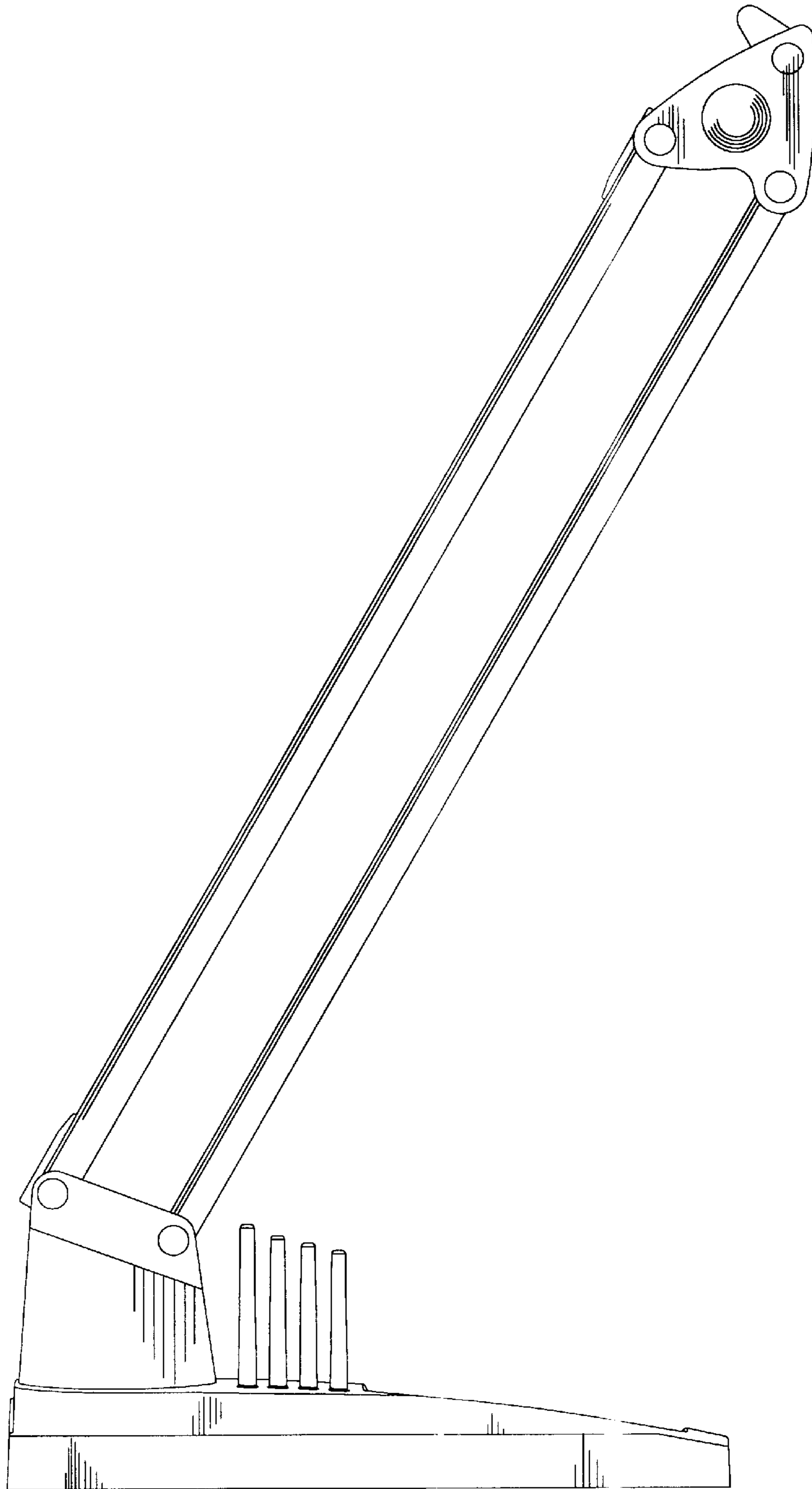


FIG. 2

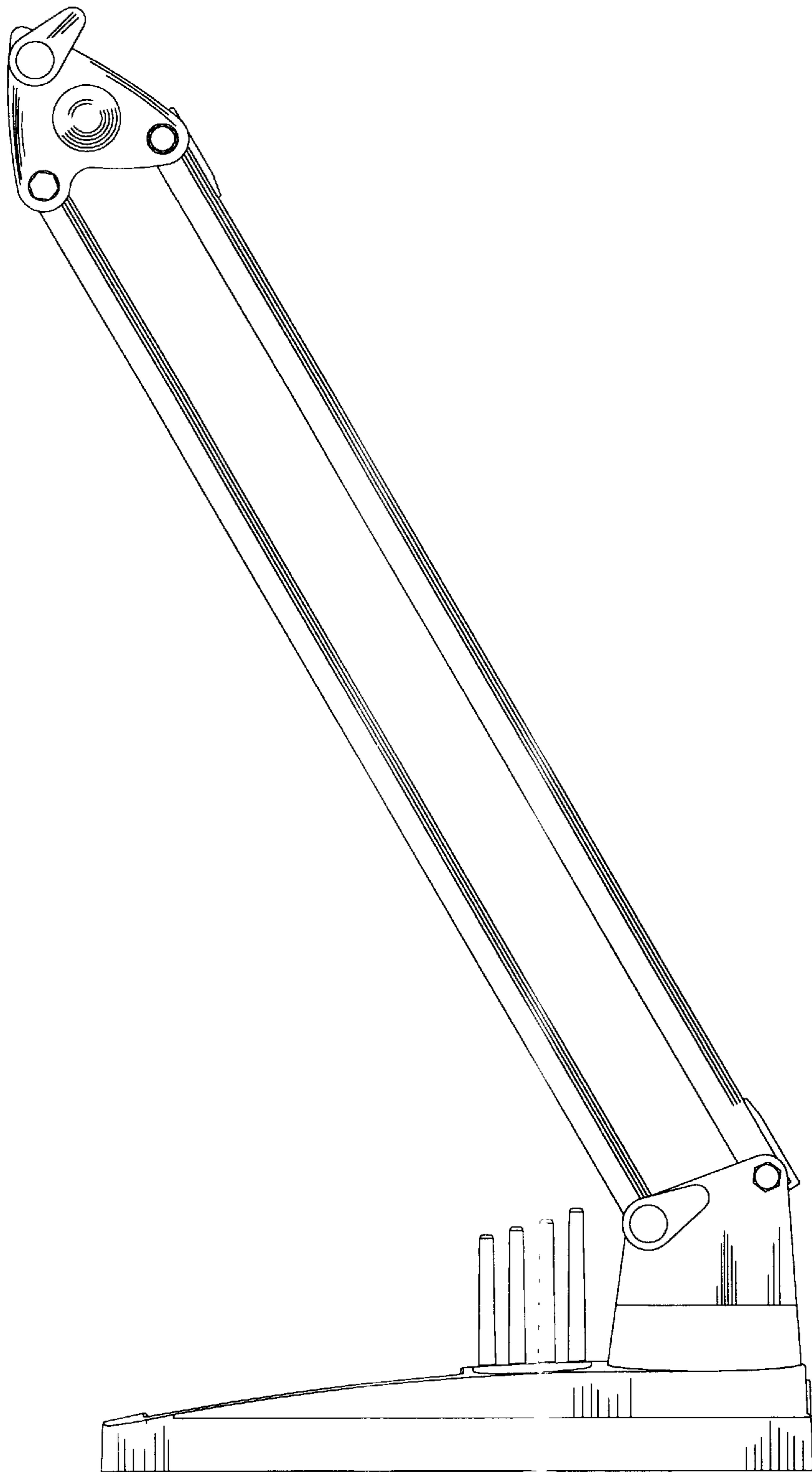


FIG. 3

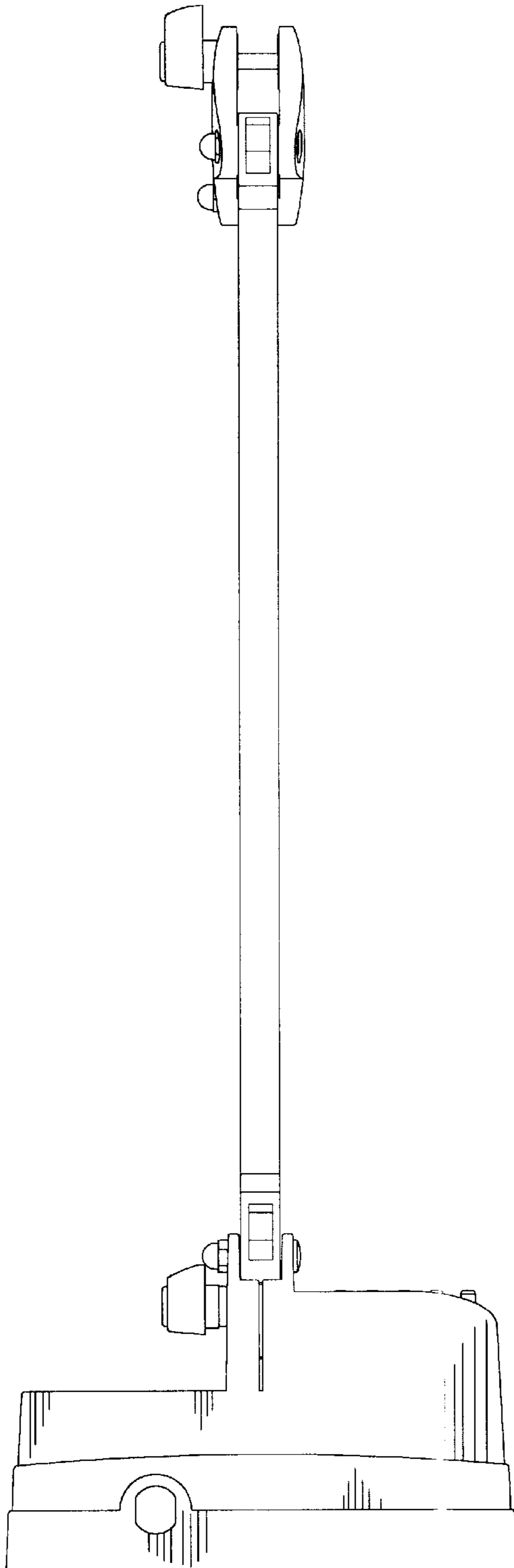


FIG. 4

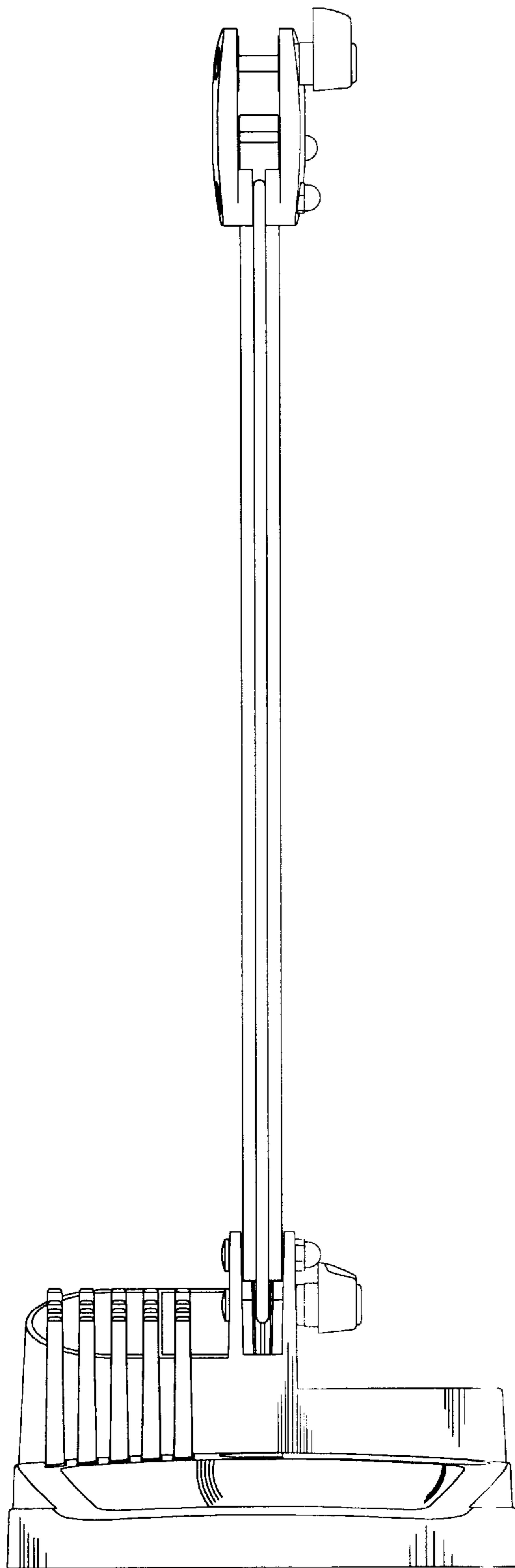


FIG. 5

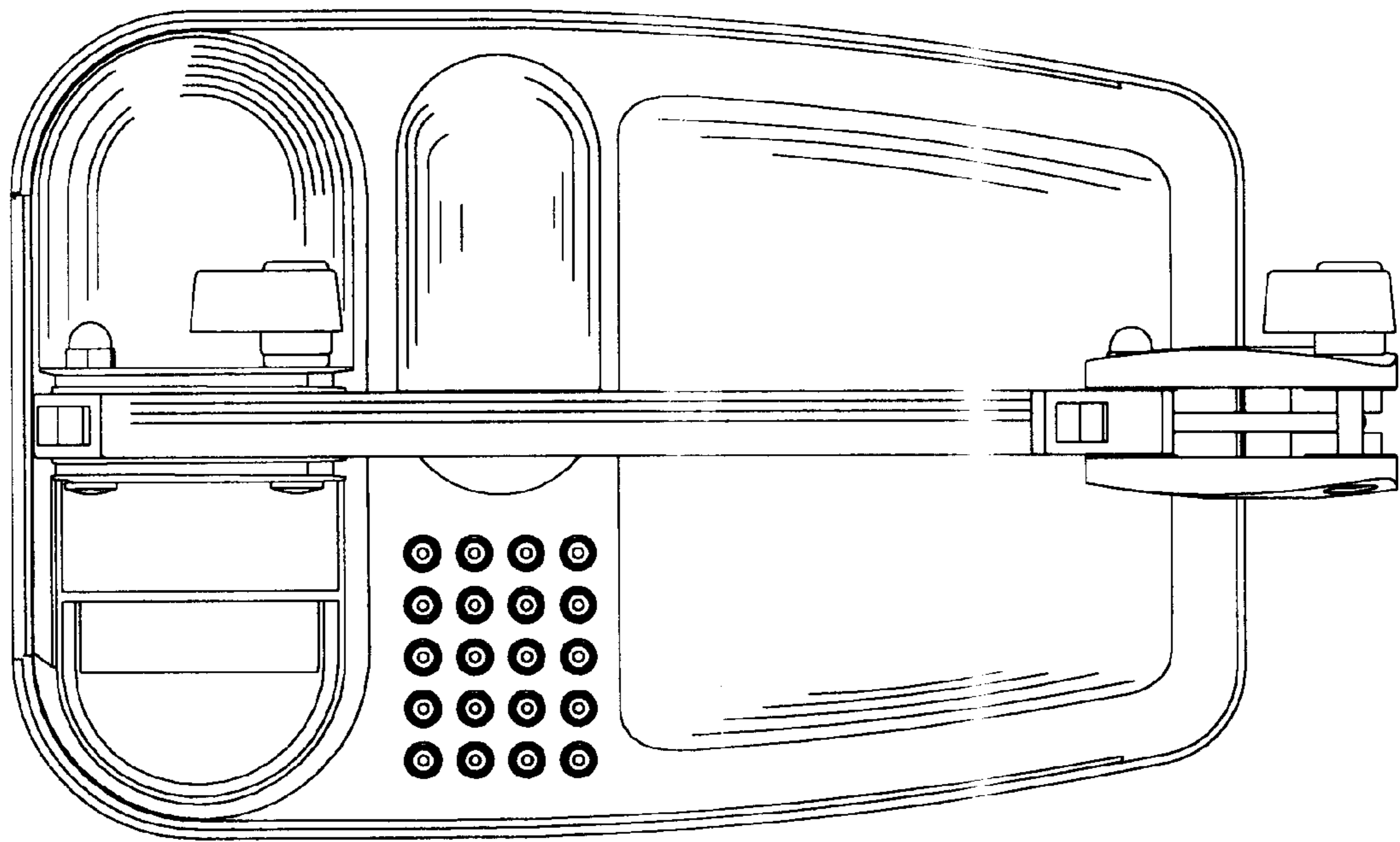


FIG. 6



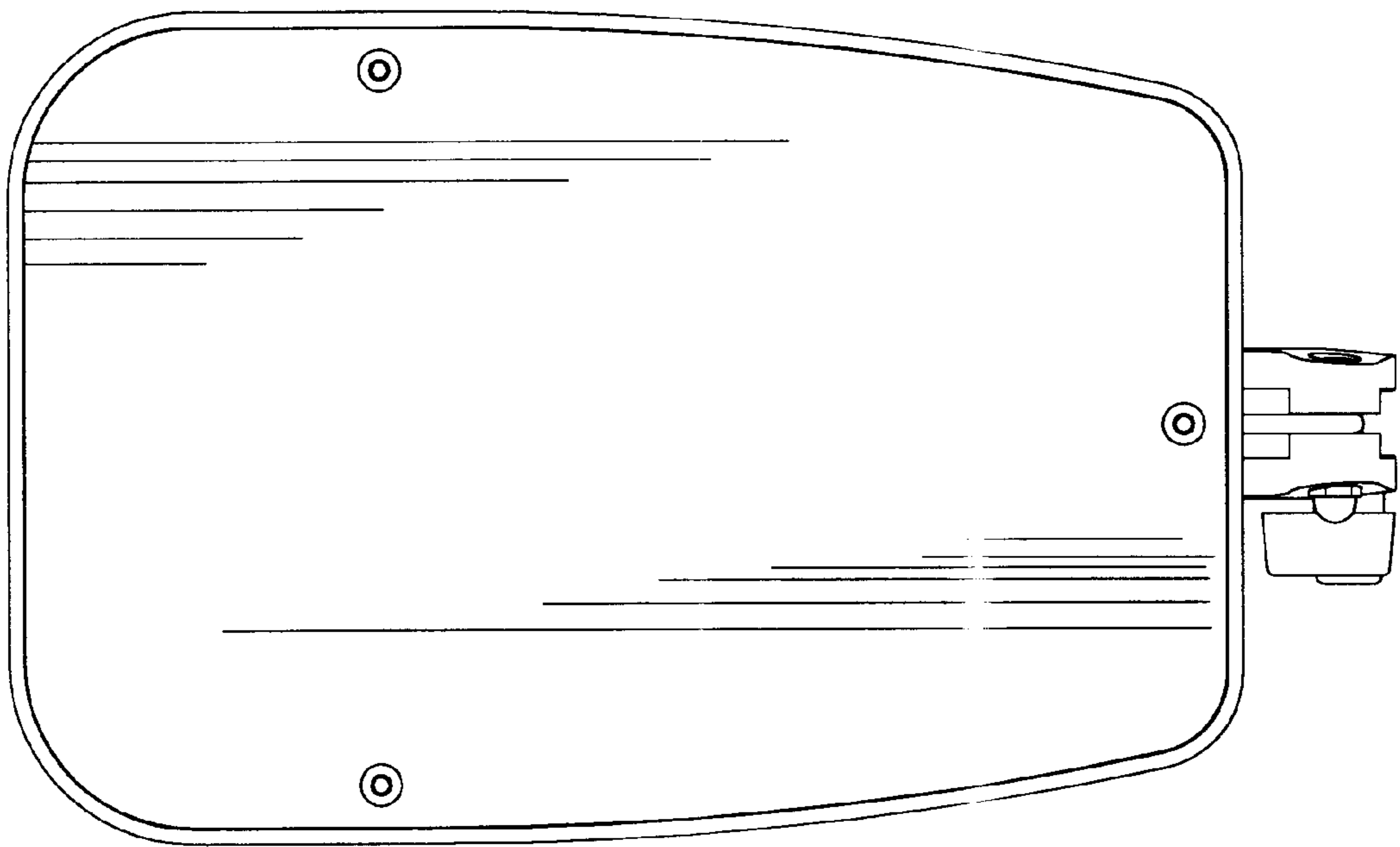


FIG. 7