



US00D436672S

(12) **United States Design Patent**
Habeck et al.

(10) **Patent No.:** **US D436,672 S**

(45) **Date of Patent:** **** Jan. 23, 2001**

(54) **CONSTRUCTION SILL FOR DOUBLE AND SINGLE HUNG WINDOW**

(75) Inventors: **Jerome Carl Habeck**, Holt; **Dennis C. Westphal**, Parma, both of MI (US); **David S. Levine**, King of Prussia; **Stanley Gursky**, Yardley, both of PA (US)

(73) Assignee: **CertainTeed Corporation**, Valley Forge, PA (US)

(**) Term: **14 Years**

(21) Appl. No.: **29/119,358**

(22) Filed: **Feb. 28, 2000**

(51) **LOC (7) Cl.** **25-01**

(52) **U.S. Cl.** **D25/124**

(58) **Field of Search** D25/60, 124, 125, D25/52; 52/204.5, 730.3, 730.4, 730.5; 49/404, 304, 410-414, 504, 505, DIG. 2, 419, 423

D. 391,649 * 3/1998 Opielski et al. D25/124
D. 402,058 * 12/1998 Leonelli D25/124
4,048,774 * 9/1977 Yamamoto 49/404
4,503,641 * 3/1985 Swan 49/404
4,793,114 * 12/1988 Pacca 52/204.5

* cited by examiner

Primary Examiner—Doris Clark

(74) *Attorney, Agent, or Firm*—Duane Morris & Heckscher LLP

(57) **CLAIM**

The ornamental design for a new construction sill for double and single hung window, as shown and described.

DESCRIPTION

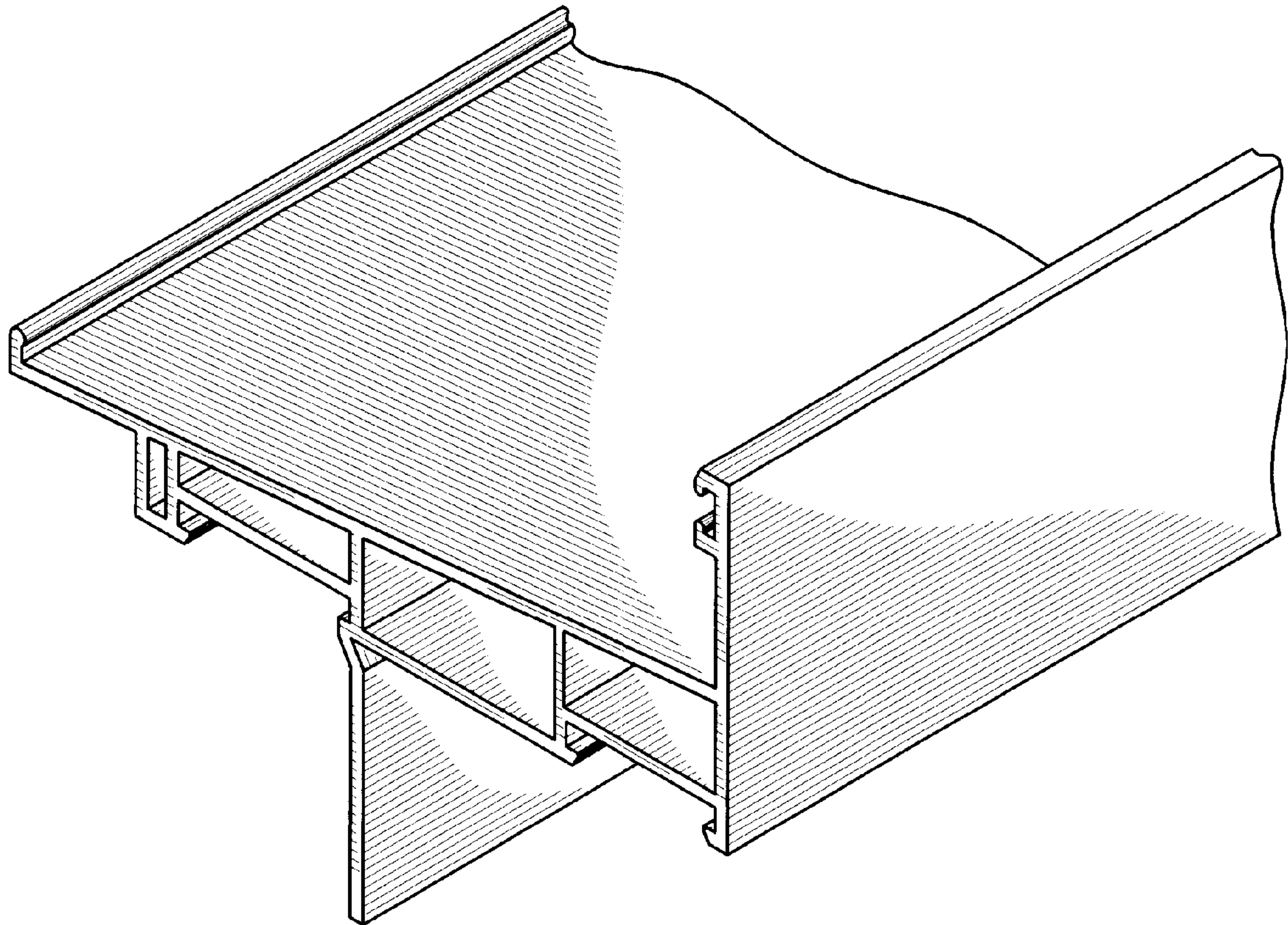
The FIGURE is a front perspective view of a new construction sill for double and single hung window, showing our new design, the rear perspective view being a mirror image and is shown fragmented indicating indefinite length.

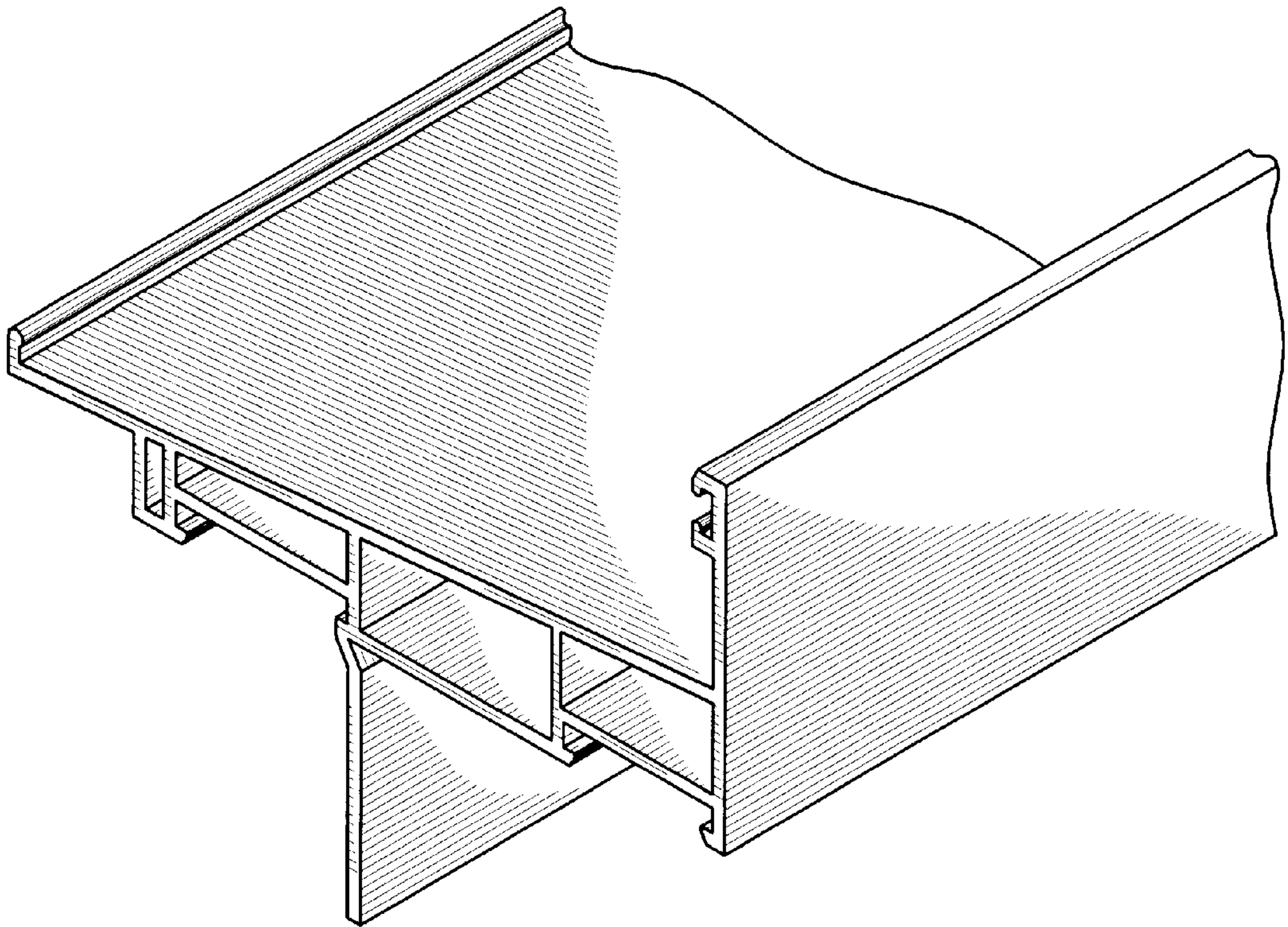
(56) **References Cited**

U.S. PATENT DOCUMENTS

D. 380,561 * 7/1997 Colitto D25/124

1 Claim, 1 Drawing Sheet





THE FIGURE