



US00D436670S

(12) **United States Design Patent**
Habeck et al.

(10) **Patent No.:** **US D436,670 S**

(45) **Date of Patent:** **** *Jan. 23, 2001**

(54) **GLIDER FRAME FOR SINGLE GLIDER**

(56) **References Cited**

(75) Inventors: **Jerome Carl Habeck**, Holt; **Dennis C. Westphal**, Parma, both of MI (US); **David S. Levine**, King of Prussia; **Stanley Gursky**, Yardley, both of PA (US)

U.S. PATENT DOCUMENTS

D. 407,506 * 3/1999 Hersh et al. D25/124
4,028,849 * 6/1977 Anderson 49/181

* cited by examiner

(73) Assignee: **CertainTeed Corporation**, Valley Forge, PA (US)

Primary Examiner—Doris Clark

(74) *Attorney, Agent, or Firm*—Duane Morris & Heckscher, LLP

(*) Notice: This patent is subject to a terminal disclaimer.

(57) **CLAIM**

(**) Term: **14 Years**

The ornamental design for a glider frame for single glider, as shown and described.

(21) Appl. No.: **29/118,210**

DESCRIPTION

(22) Filed: **Feb. 4, 2000**

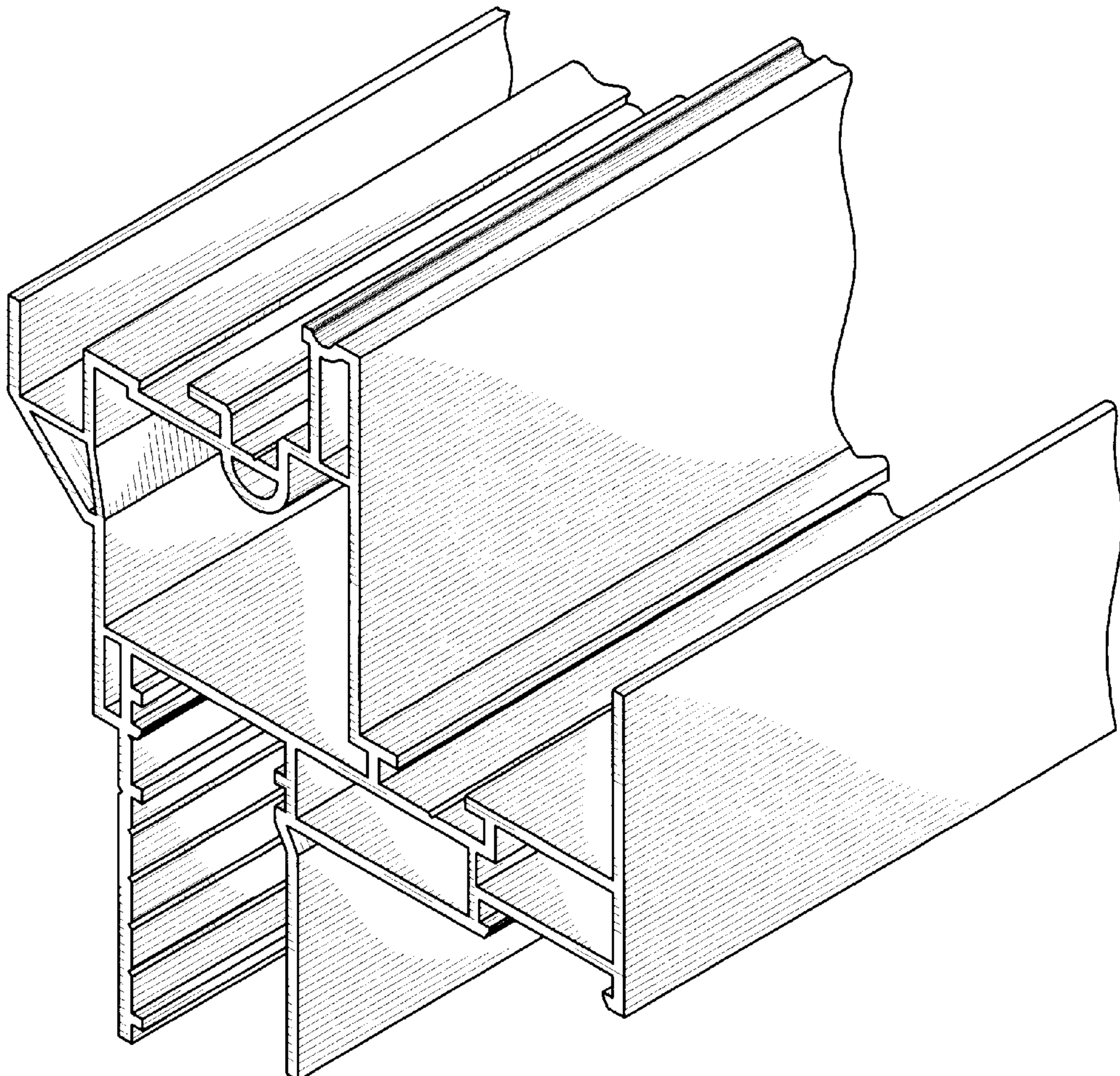
The FIGURE is a front perspective view of a glider frame for single glider showing our new design, the rear perspective view being a mirror image and is shown fragmented indicating indefinite length.

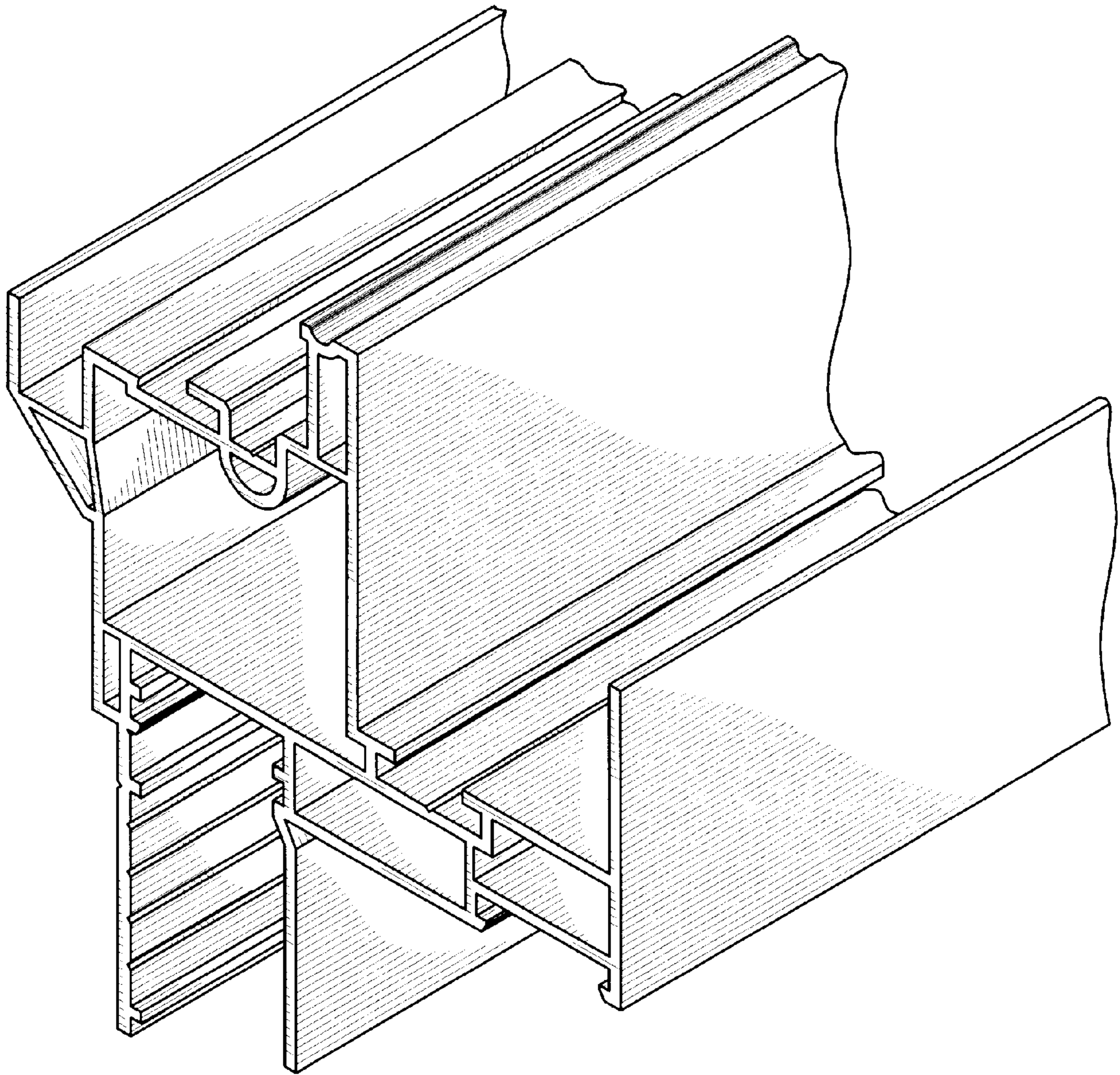
(51) **LOC (7) Cl.** **25-01**

(52) **U.S. Cl.** **D25/124**

(58) **Field of Search** D25/60, 52, 124,
D25/125; 49/504, 446, 454, 453, 455, 181,
489, 485

1 Claim, 1 Drawing Sheet





THE FIGURE