



US00D43669S

(12) **United States Design Patent**
Kieffer

(10) **Patent No.:** **US D436,669 S**

(45) **Date of Patent:** **** Jan. 23, 2001**

(54) **CANOPY SHELTER**

(75) Inventor: **Stephen George Kieffer**, Washington Island, WI (US)

(73) Assignee: **Kieffer & Co., Inc.**, Sheboygan, WI (US)

(**) Term: **14 Years**

(21) Appl. No.: **29/113,104**

(22) Filed: **Nov. 1, 1999**

(51) **LOC (7) Cl.** **25-02**

(52) **U.S. Cl.** **D25/56**

(58) **Field of Search** D25/56; 135/87, 135/90

(56) **References Cited**

U.S. PATENT DOCUMENTS

D. 375,800	*	11/1996	Wagner	D25/56
D. 378,137	*	2/1997	Gregoire	D25/56
D. 409,762	*	5/1999	Blessing	D25/56
2,023,155	*	12/1935	Turner	135/87

* cited by examiner

Primary Examiner—Doris Clark

(74) *Attorney, Agent, or Firm*—Oblon, Spivak, McClelland, Maier & Neustadt, P.C.

(57) **CLAIM**

The ornamental design for canopy shelter, as shown and described.

DESCRIPTION

The design is for a canopy shelter to shelter individuals and which may be used as a bus stop shelter or any other type of shelter to provide protection. Such may be provided with integral lighting.

FIG. 1 is a top and right front perspective view of canopy shelter showing my new design;

FIG. 2 is a front elevational view thereof;

FIG. 3 is a rear elevational view thereof;

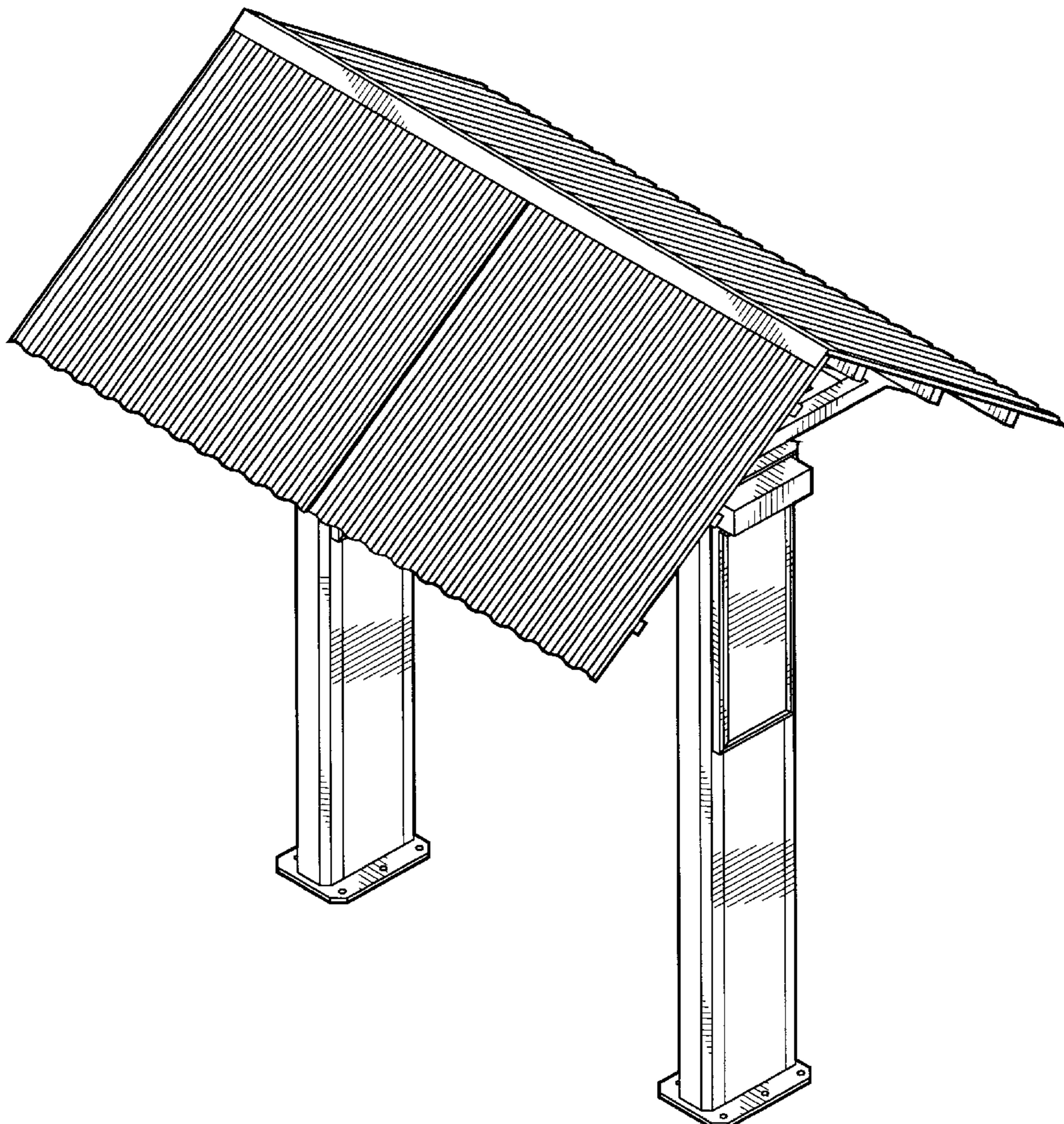
FIG. 4 is a right side elevational view thereof;

FIG. 5 is a left side elevational view thereof;

FIG. 6 is a top plan view thereof; and,

FIG. 7 is a bottom plan view thereof.

1 Claim, 7 Drawing Sheets



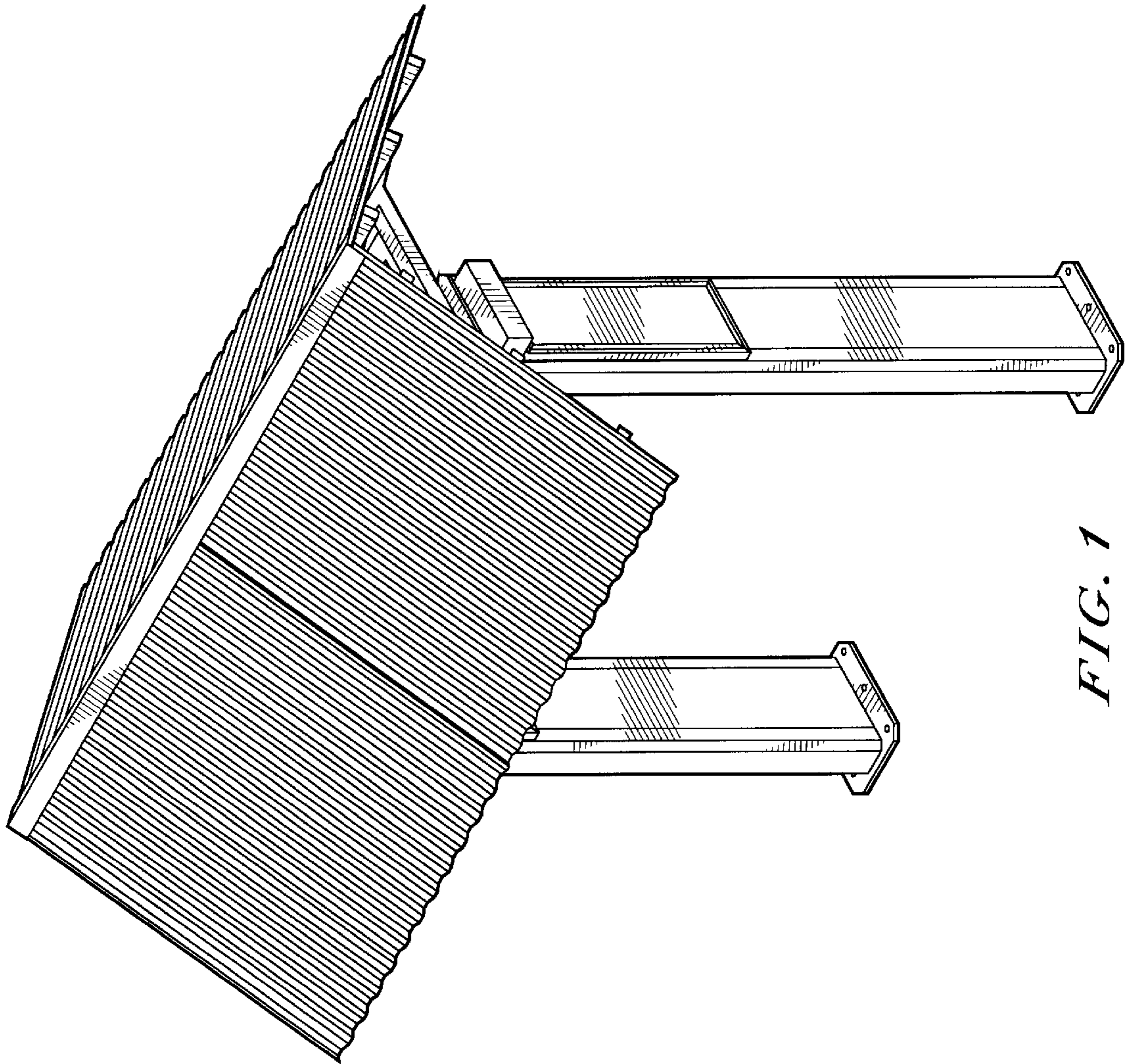


FIG. 1

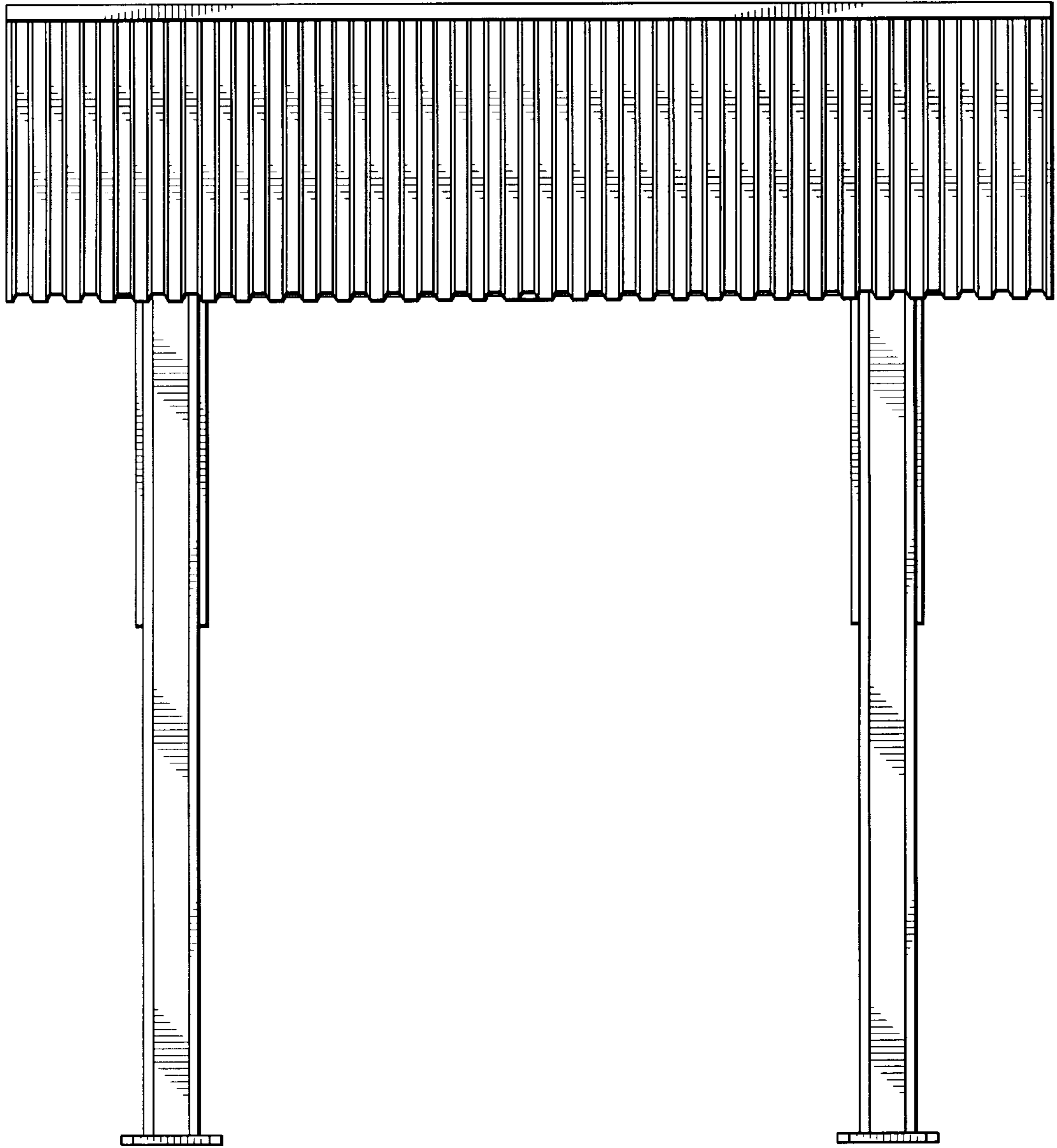


FIG. 2

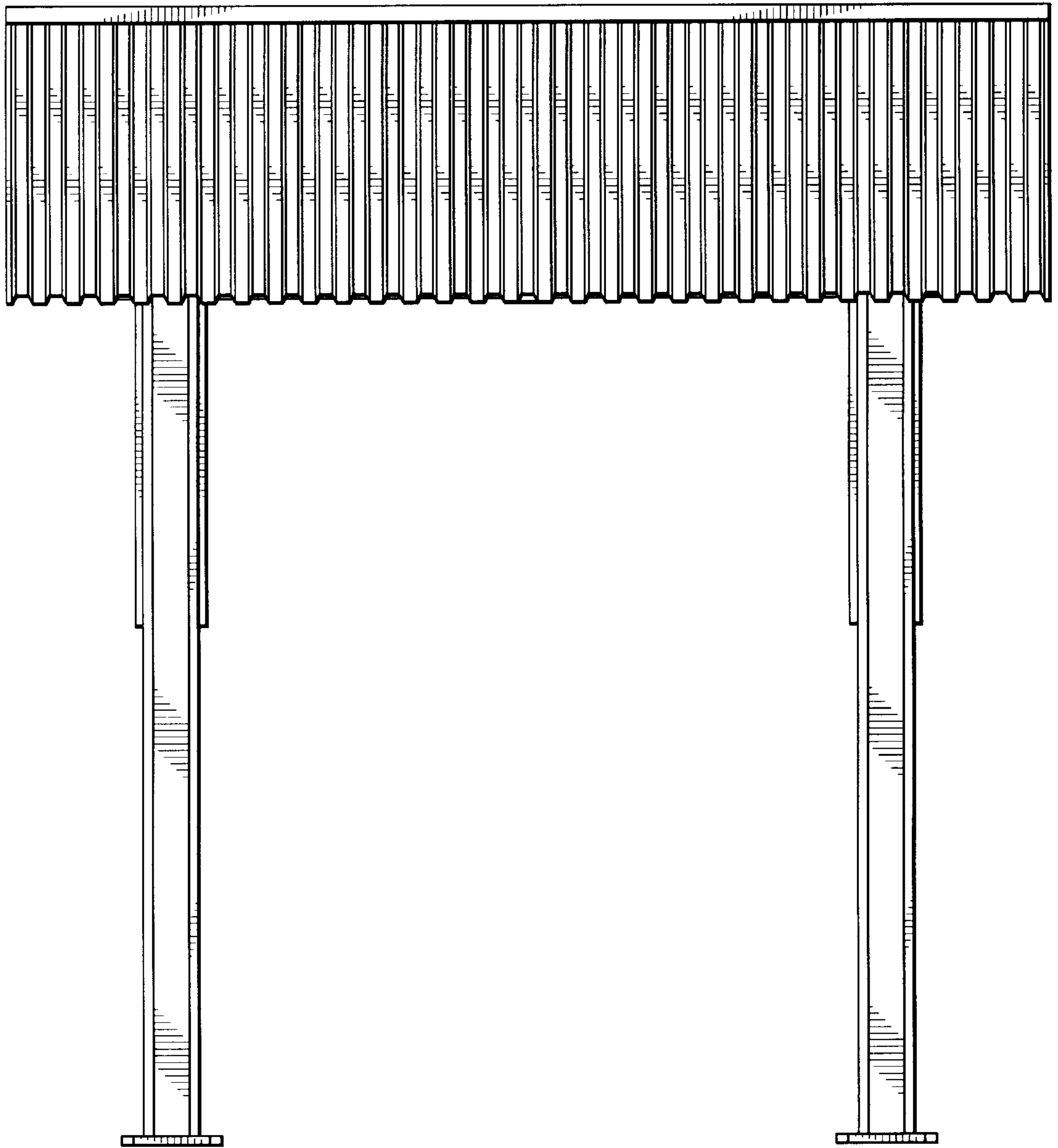


FIG. 3

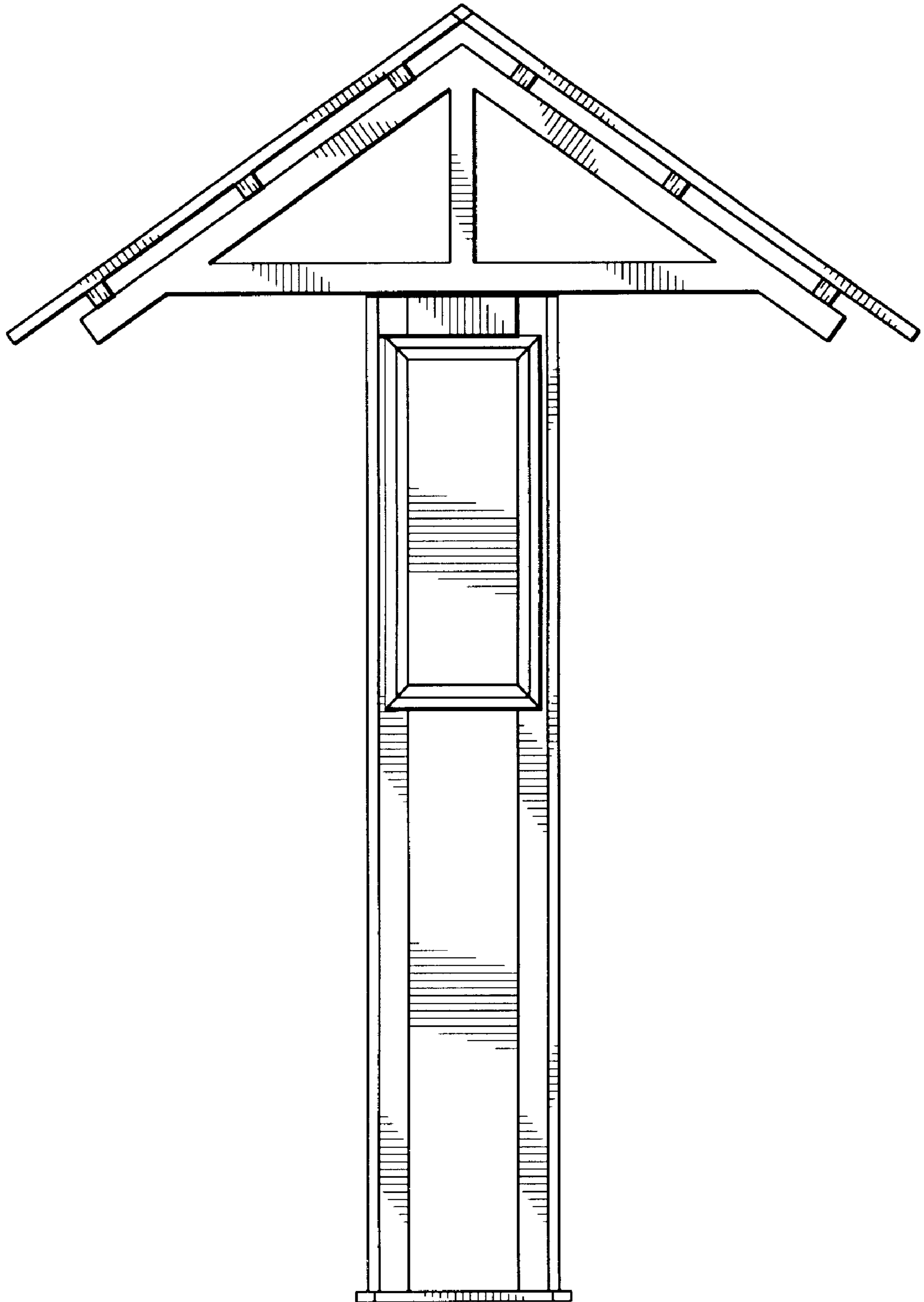


FIG. 4

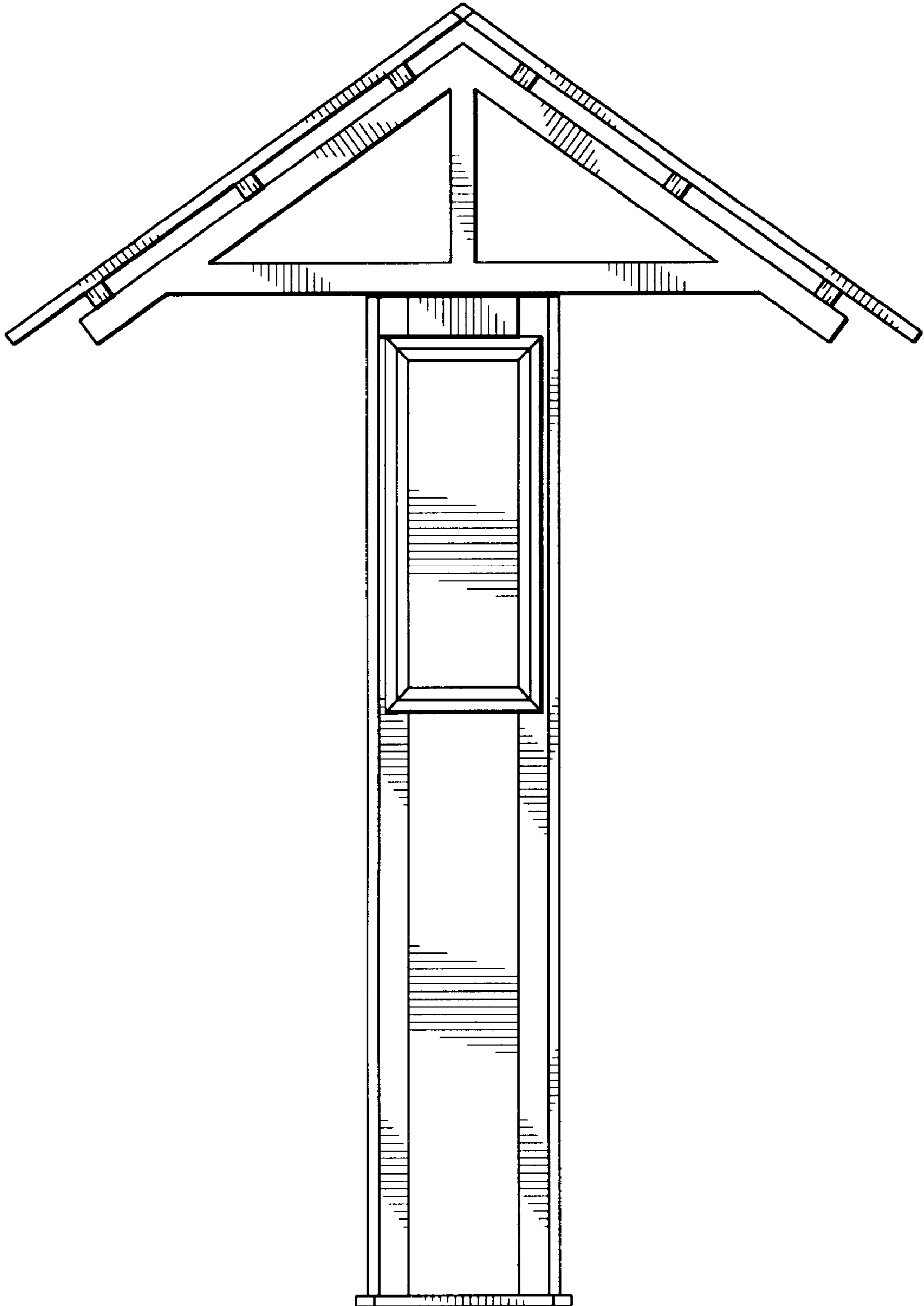


FIG. 5

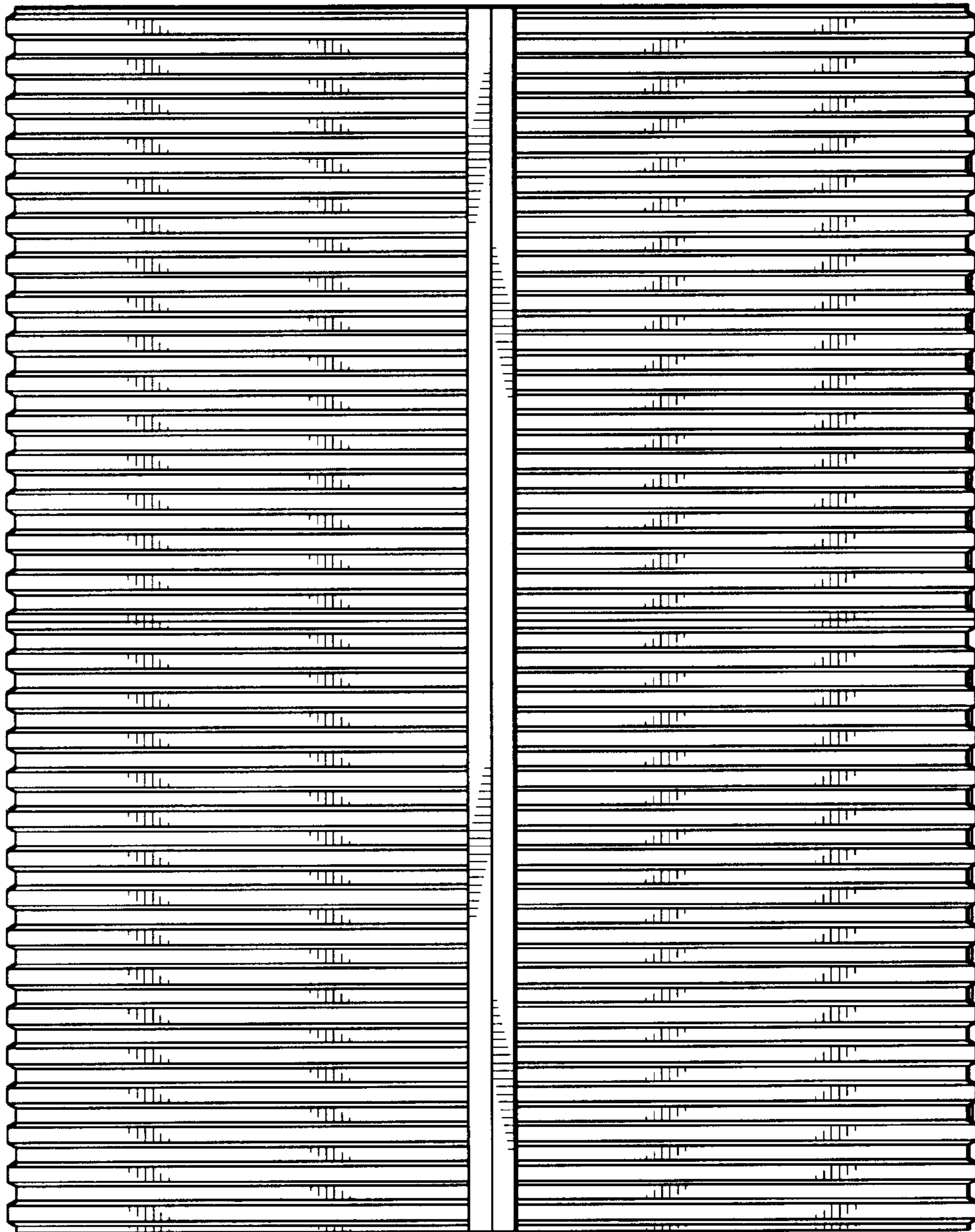


FIG. 6

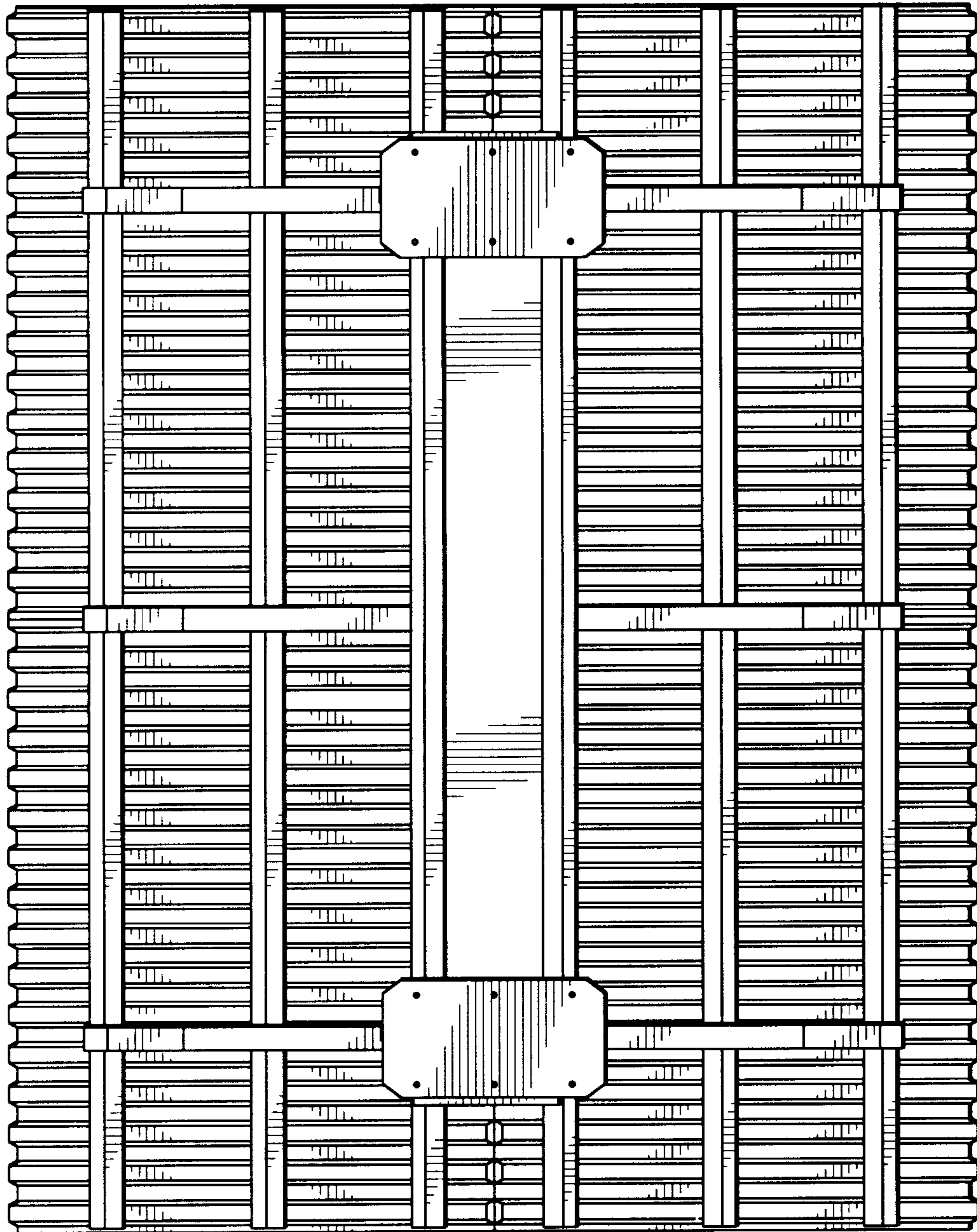


FIG. 7