



US00D43666S

(12) **United States Design Patent**  
**Hammerlund**

(10) **Patent No.:** **US D436,666 S**

(45) **Date of Patent:** **\*\* Jan. 23, 2001**

(54) **DENTAL PROPHYLAXIS PASTE  
CONTAINER RING HOLDER**

(75) **Inventor:** **Gary M. Hammerlund**, Grand Rapids,  
MI (US)

(73) **Assignee:** **NuView Technologies, Inc.**, Grand  
Rapids, MI (US)

(\*\*) **Term:** **14 Years**

(21) **Appl. No.:** **29/115,236**

(22) **Filed:** **Dec. 9, 1999**

(51) **LOC (7) Cl.** ..... **24-02**

(52) **U.S. Cl.** ..... **D24/176**

(58) **Field of Search** ..... D24/176, 178;  
24/339, 546; 131/258; 206/820; 215/6;  
220/23.4; 224/217; 281/30; 446/125

(56) **References Cited**

**U.S. PATENT DOCUMENTS**

D. 276,272	*	11/1984	Weissenburger	.....	D24/126
D. 277,781	*	2/1985	Weissenburger	.....	D24/126
3,033,412	*	5/1962	Fox	.....	220/23.4
5,582,488	*	12/1996	Dudley et al.	.....	220/23.4

**OTHER PUBLICATIONS**

Fig. 8 of attached design patent application drawing.

\* cited by examiner

*Primary Examiner*—Antoine Duval Davis

(74) *Attorney, Agent, or Firm*—Price, Heneveld, Cooper,  
DeWitt & Litton

(57) **CLAIM**

The ornamental design for a dental prophylaxis paste container ring holder, as shown and described.

**DESCRIPTION**

FIG. 1 is a perspective view of the dental prophylaxis paste container ring holder shown on a person's finger (in phantom) and retaining a container of prophylaxis paste (in phantom);

FIG. 2 is an end elevational view of the ring;

FIG. 3 is an opposite end elevational view of the ring from that in FIG. 2;

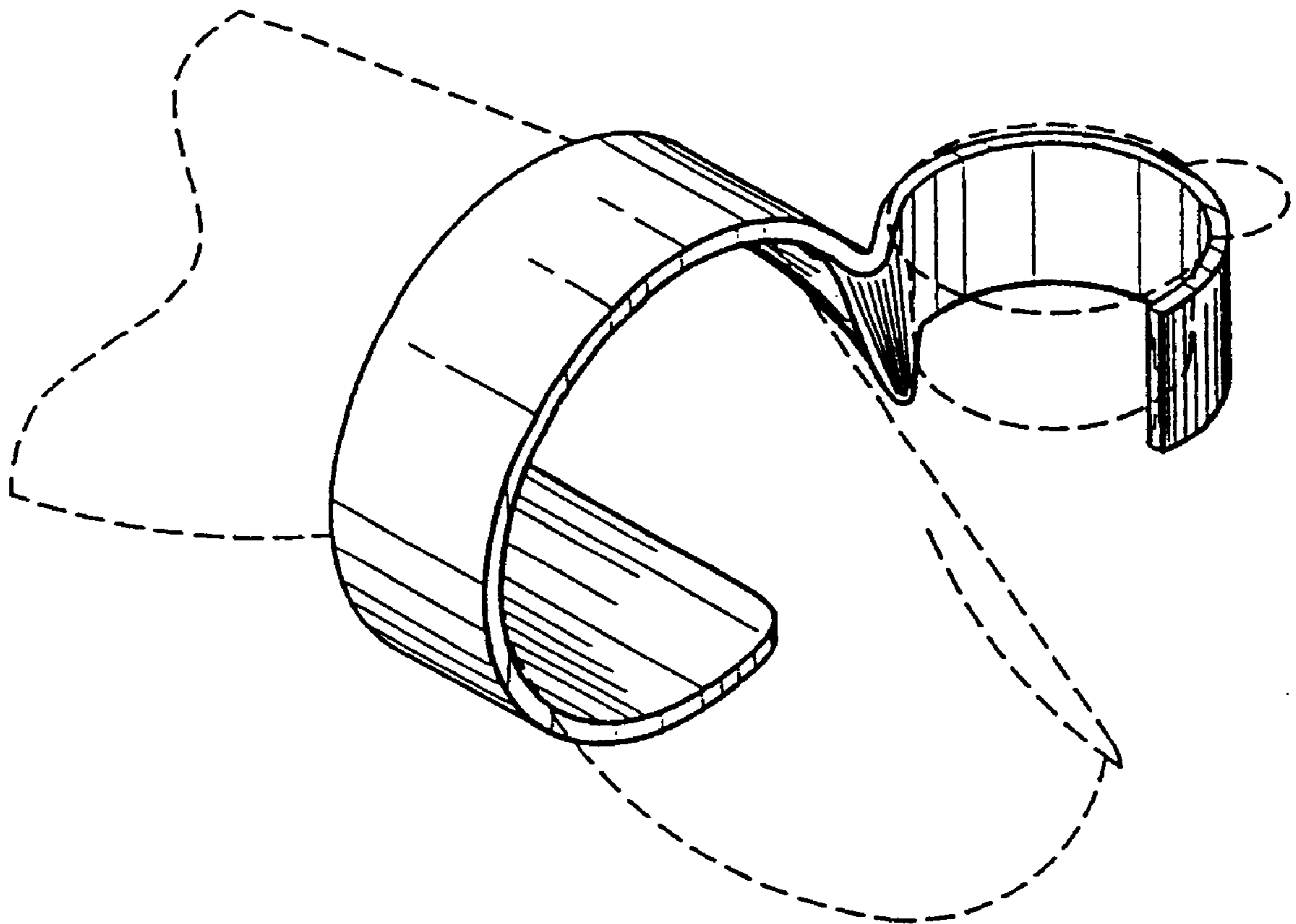
FIG. 4 is a bottom view of the ring;

FIG. 5 is a top view of the ring;

FIG. 6 is an end elevational view of the ring; and,

FIG. 7 is an opposite end elevational view of the ring from that in FIG. 6.

**1 Claim, 1 Drawing Sheet**



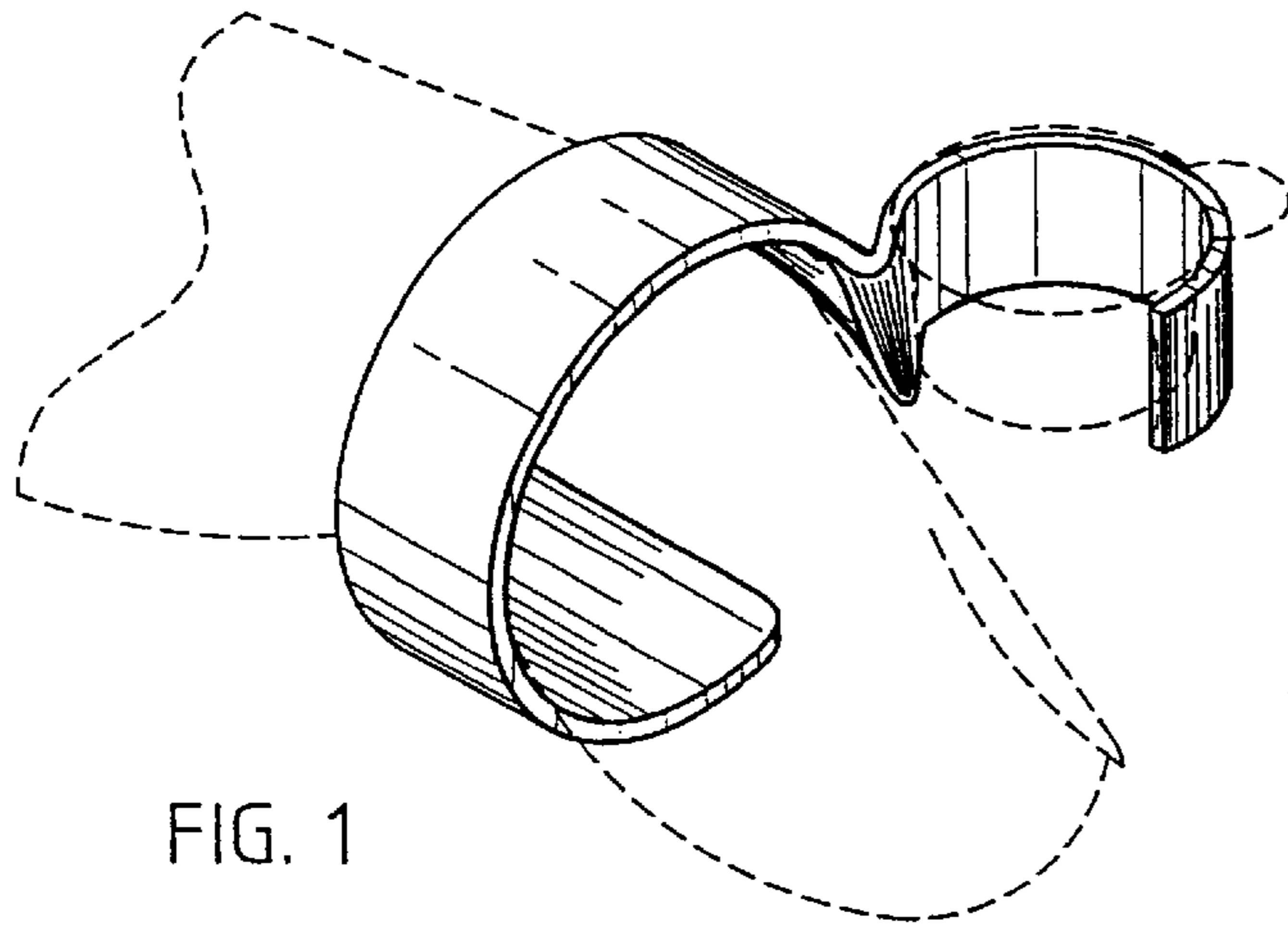


FIG. 1

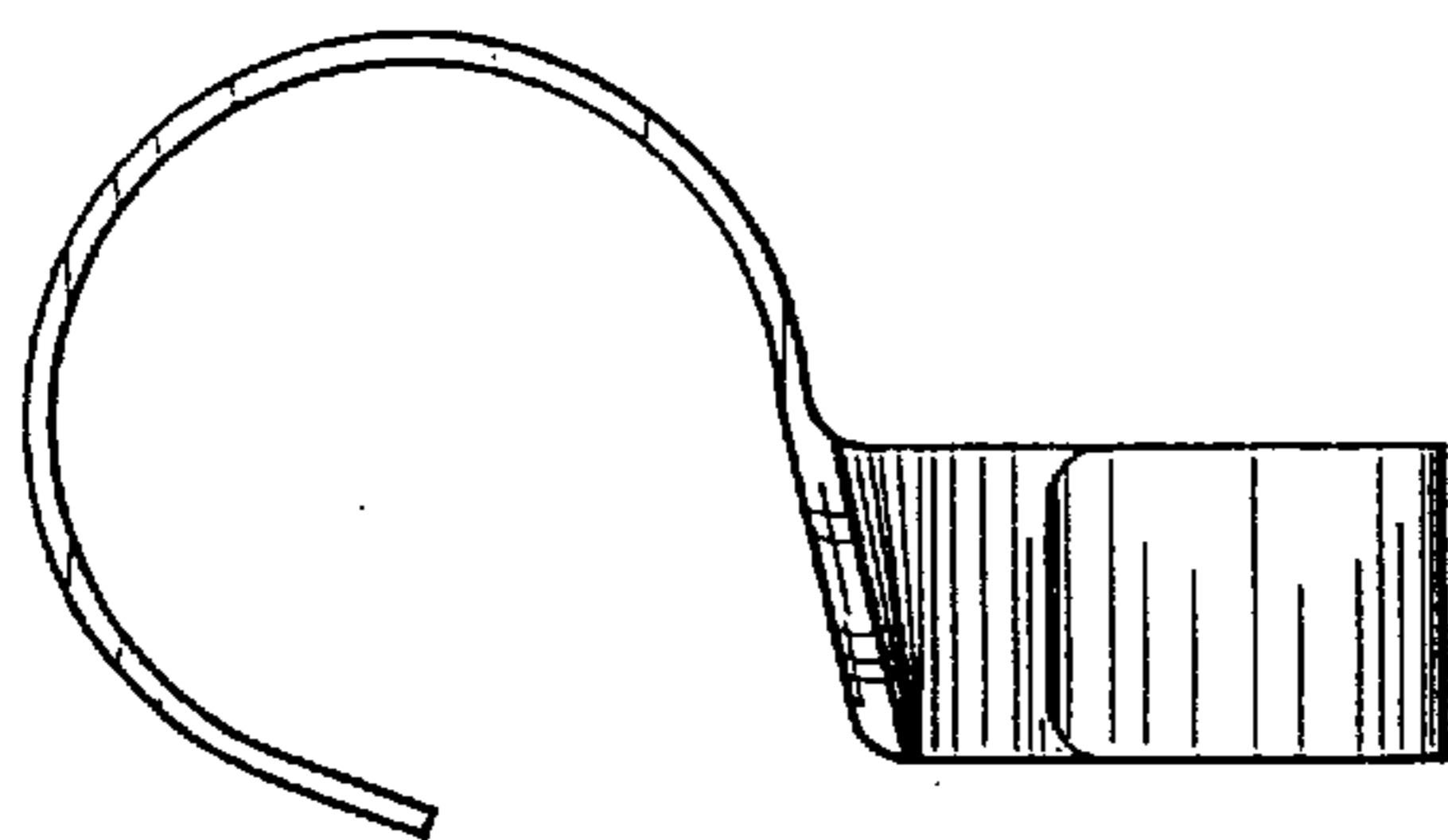


FIG. 2

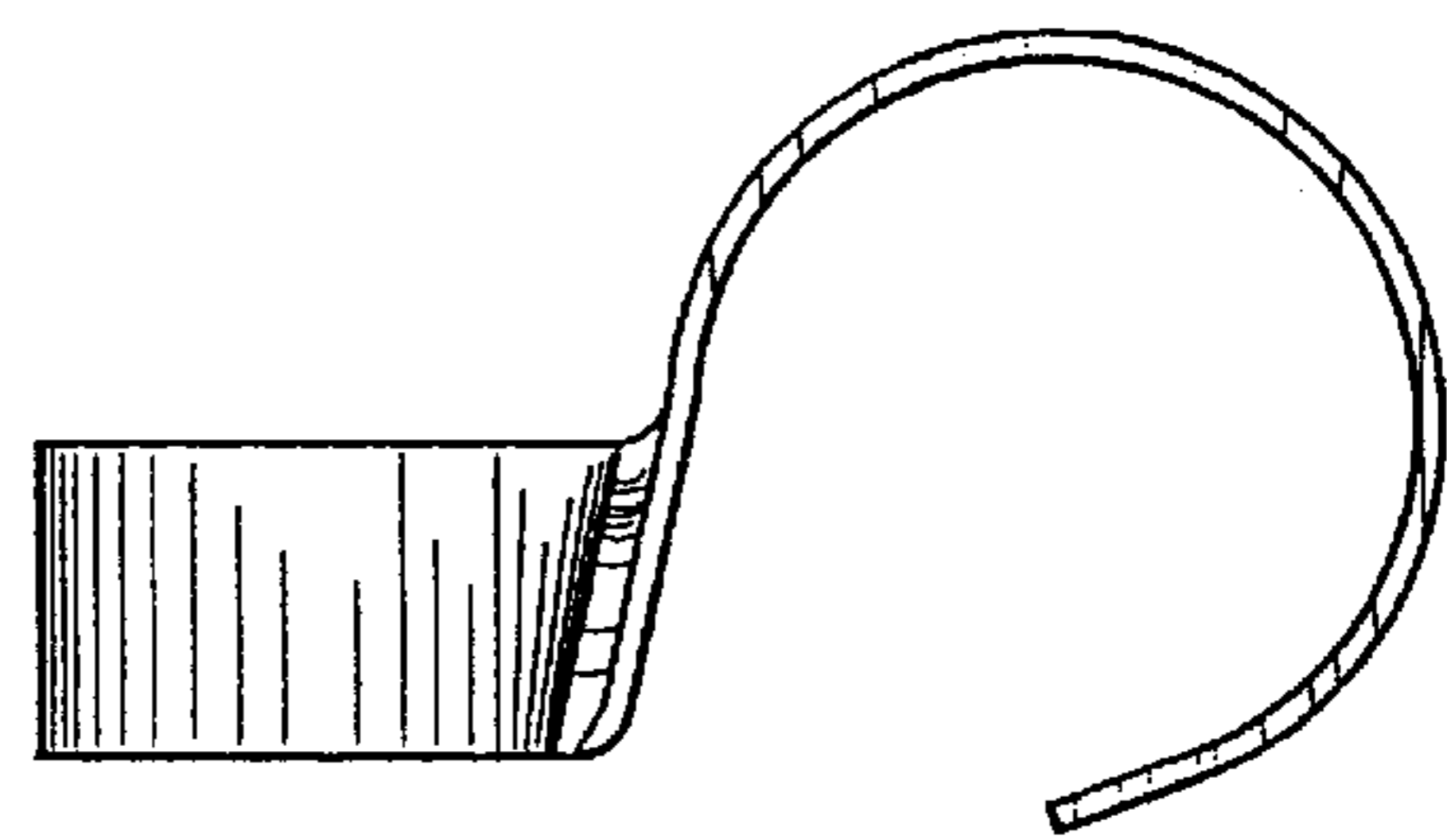


FIG. 3

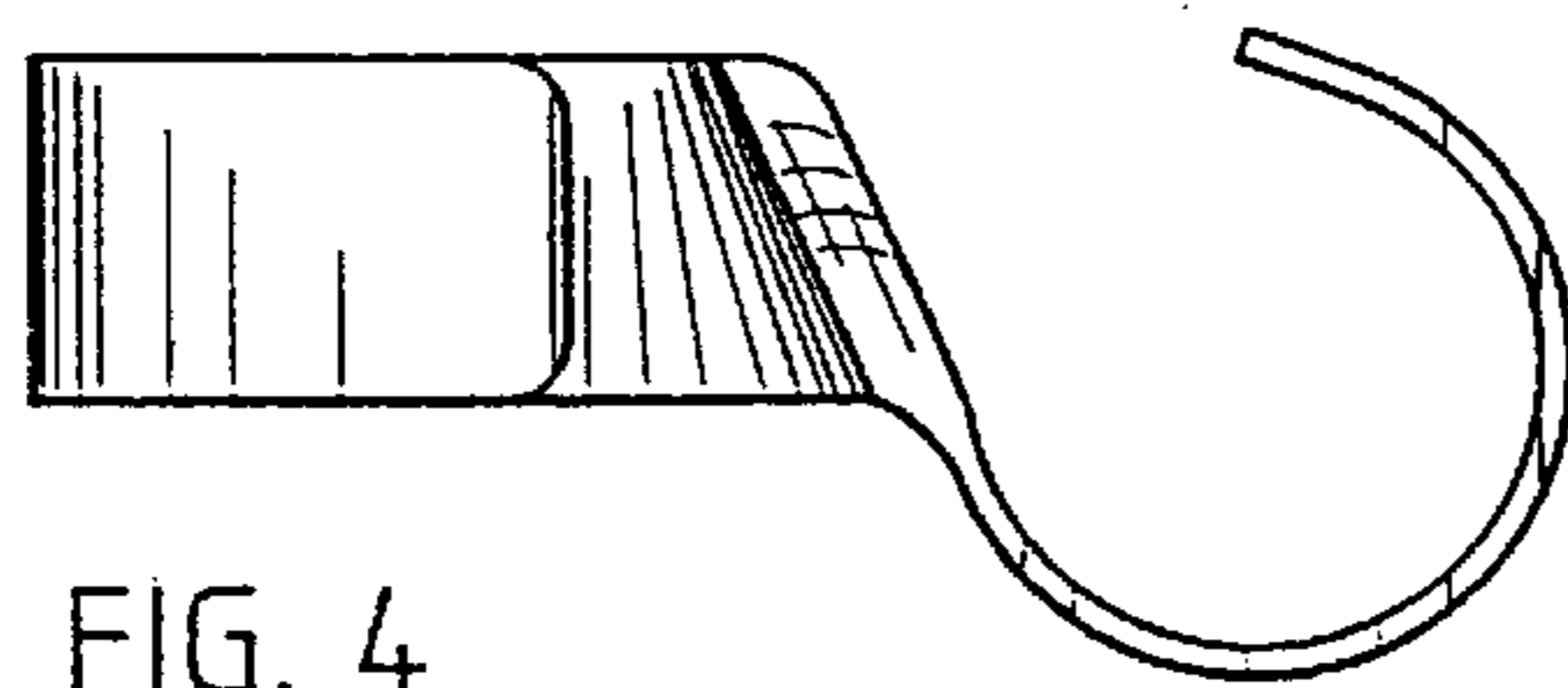


FIG. 4

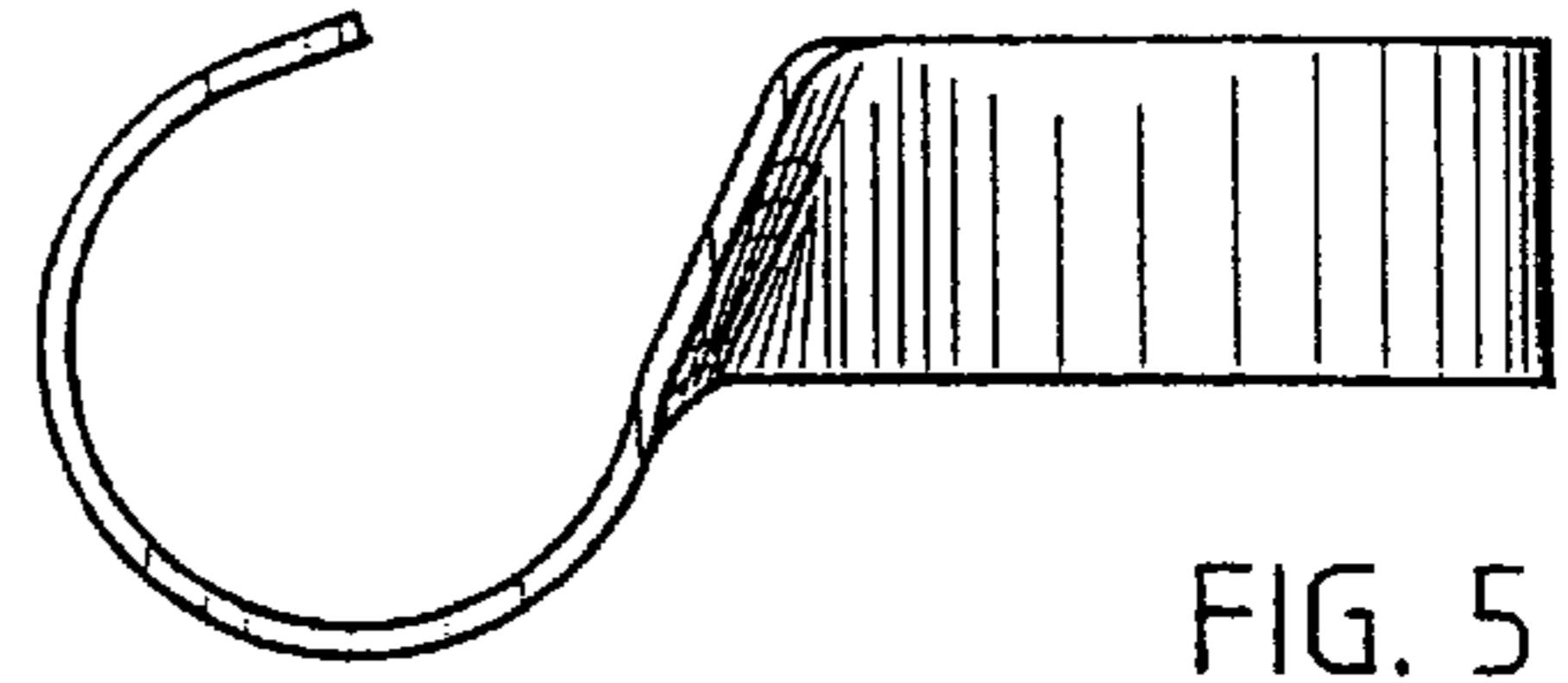


FIG. 5

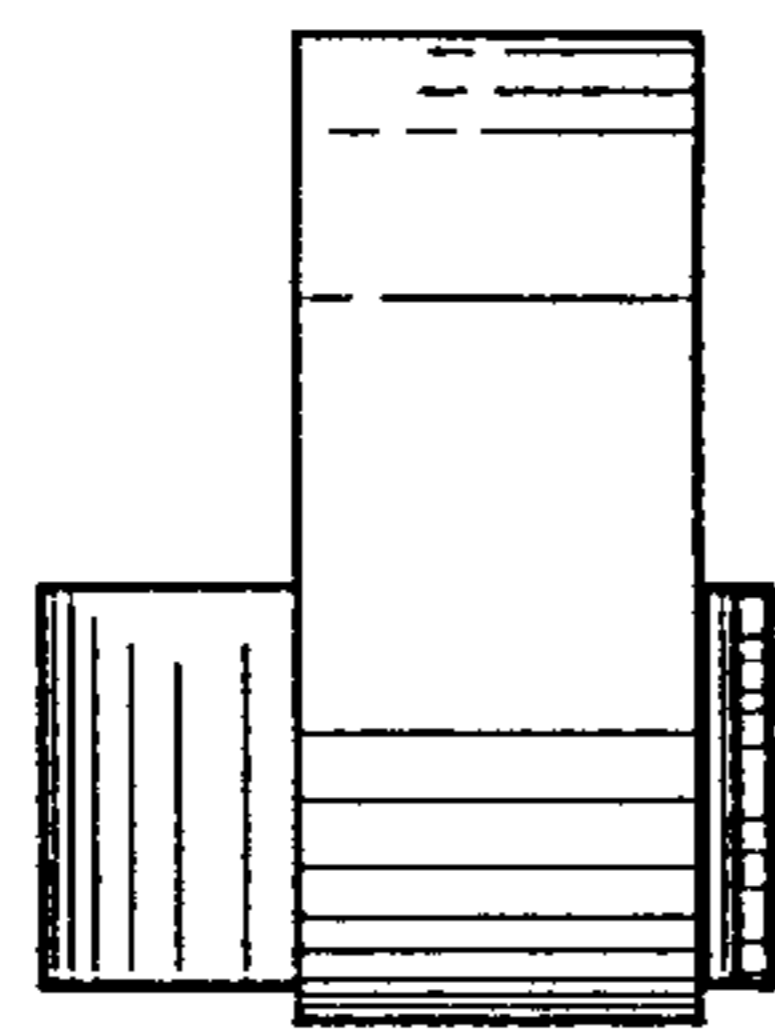


FIG. 6

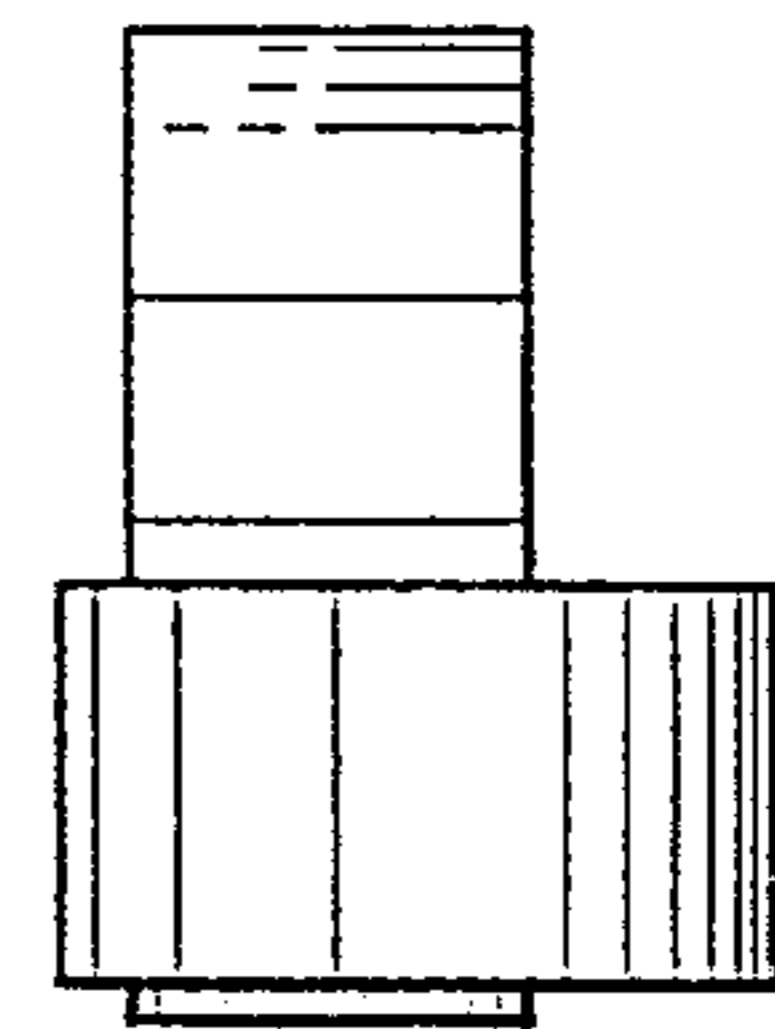


FIG. 7