



US00D43664S

(12) **United States Design Patent**
Lamoureux

(10) **Patent No.:** **US D436,664 S**

(45) **Date of Patent:** **** Jan. 23, 2001**

(54) **BONE MARROW BIOPSY NEEDLE ASSEMBLY**

4,655,226 * 4/1987 Lee D24/147
5,368,046 * 11/1994 Scarfone et al. 600/567
5,526,821 * 6/1996 Jamshidi 600/566

(76) **Inventor:** **Gary A. Lamoureux**, 373 Old Sherman Hill Rd., Woodbury, CT (US) 06790

* cited by examiner

(**) **Term:** **14 Years**

Primary Examiner—Ian Simmons
(74) *Attorney, Agent, or Firm*—Dallett Hoopes

(21) **Appl. No.:** **29/114,849**

(57) **CLAIM**

(22) **Filed:** **Dec. 2, 1999**

The ornamental bone marrow biopsy needle assembly, as shown and described.

(51) **LOC (7) Cl.** **24-02**

DESCRIPTION

(52) **U.S. Cl.** **D24/147; D24/146**

(58) **Field of Search** D24/130, 146, D24/147; 600/567, 566, 564, 562; 604/164, 165, 166, 167, 188, 170

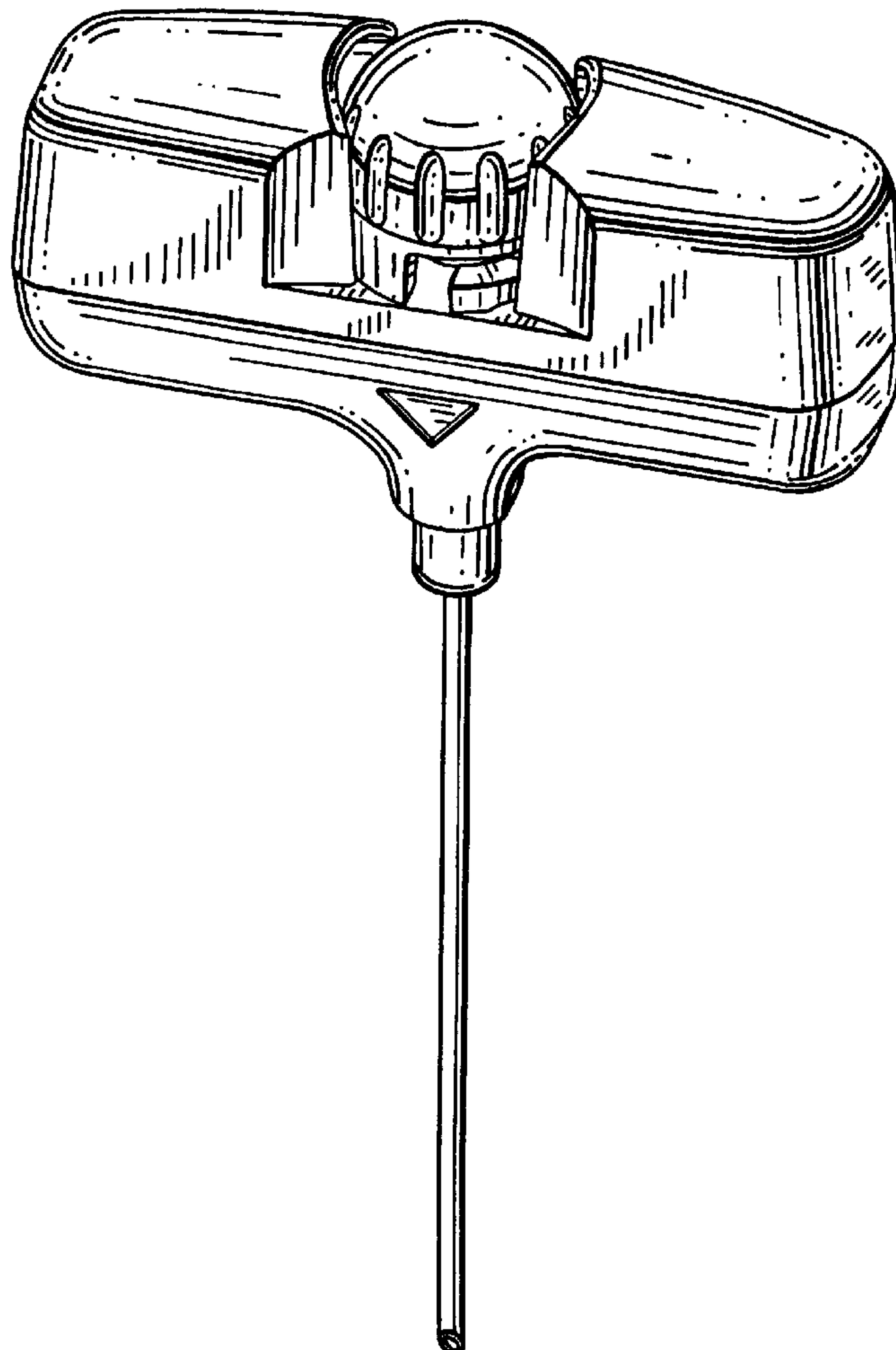
FIG. 1 is a perspective view showing my new design; FIG. 2 is a front elevational view; FIG. 3 is a top plan view; FIG. 4 is a right side elevational view thereof, the left side view being a mirror image thereto; FIG. 5 is a rear elevational view; and, FIG. 6 is a bottom plan view.

(56) **References Cited**

U.S. PATENT DOCUMENTS

D. 358,645 * 5/1995 Ryan et al. D24/147
D. 402,029 * 12/1998 Shinabarger D24/146
4,487,209 * 12/1984 Mehl 600/567

1 Claim, 2 Drawing Sheets



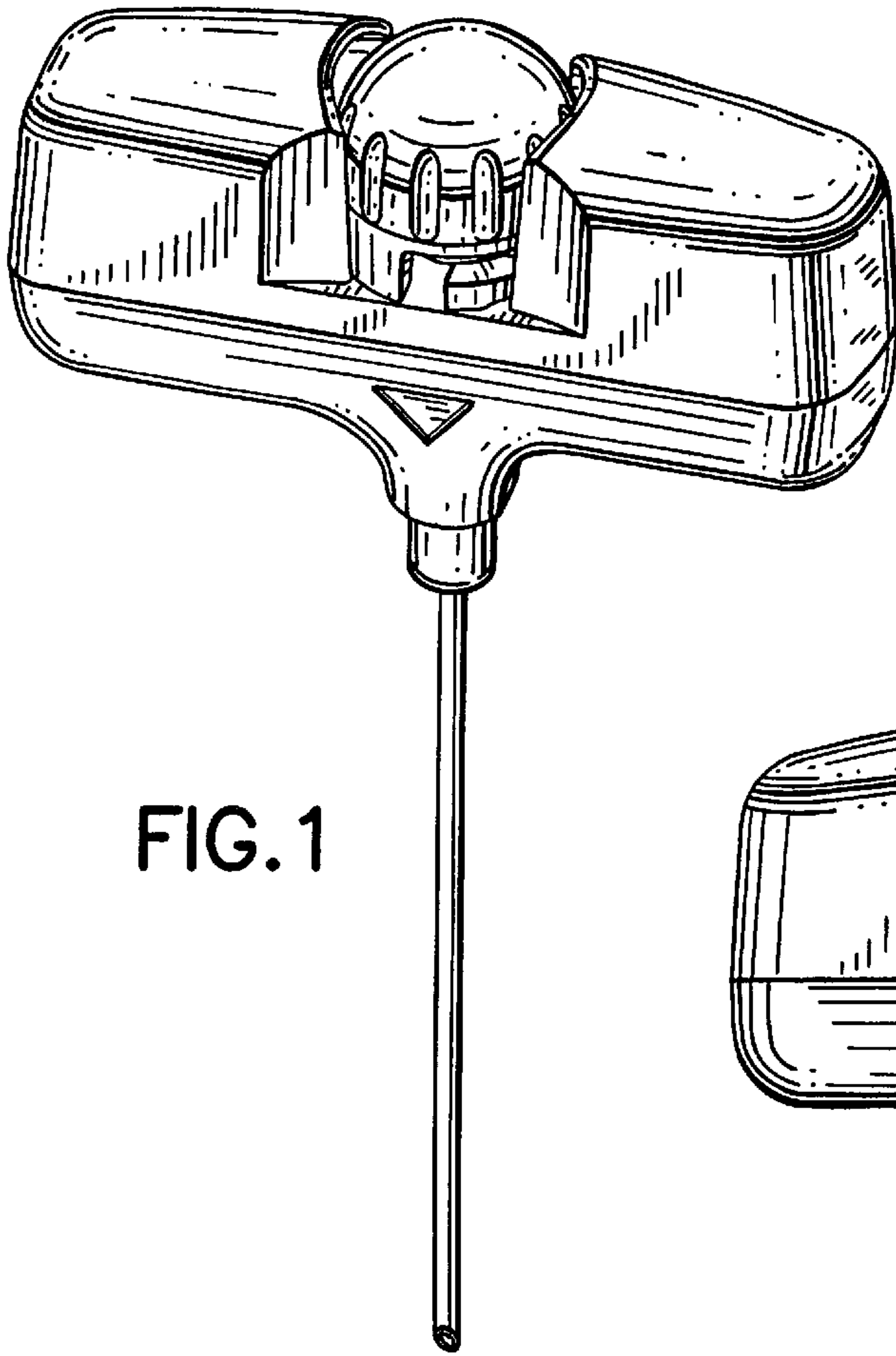


FIG. 1

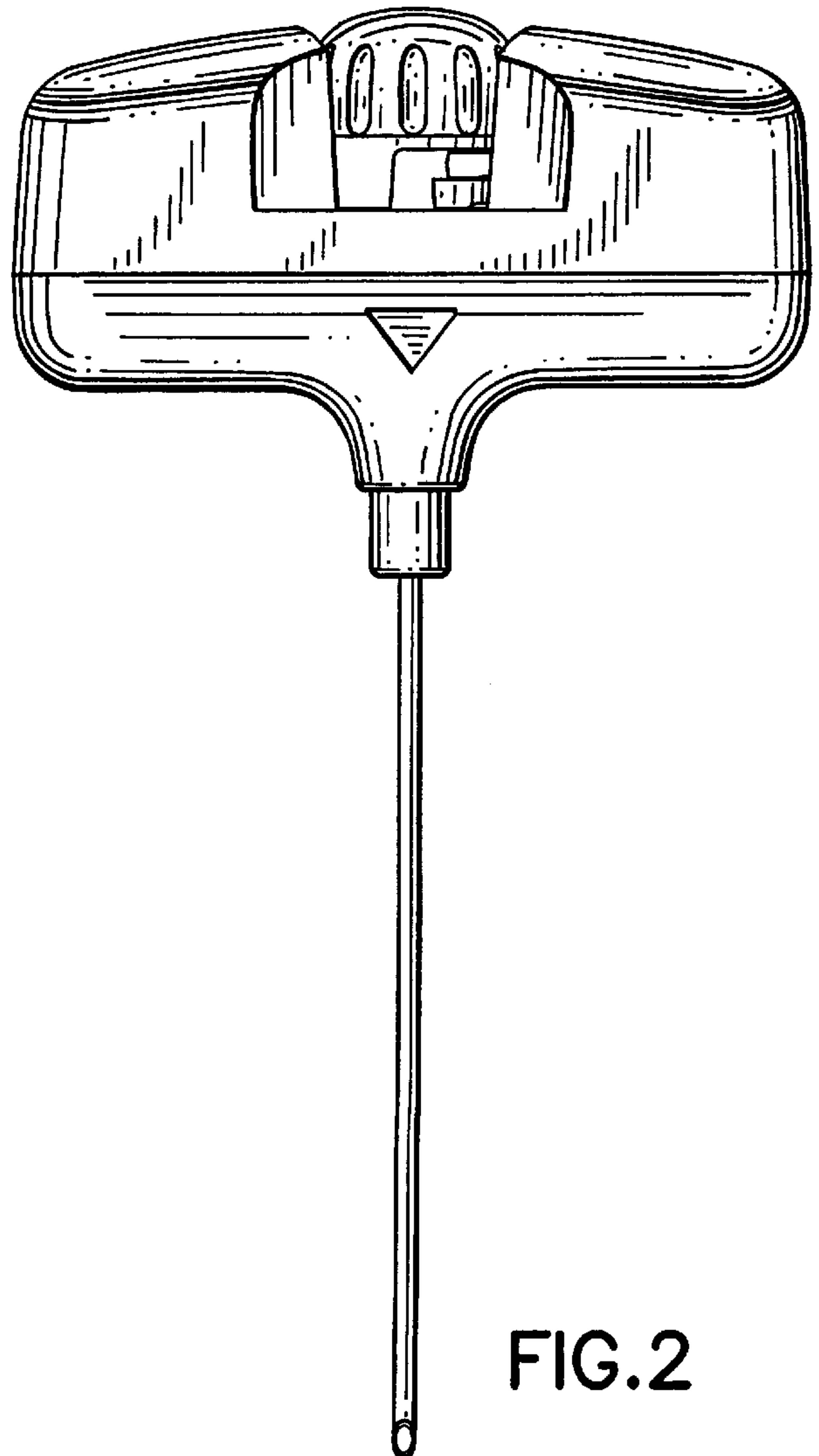


FIG. 2

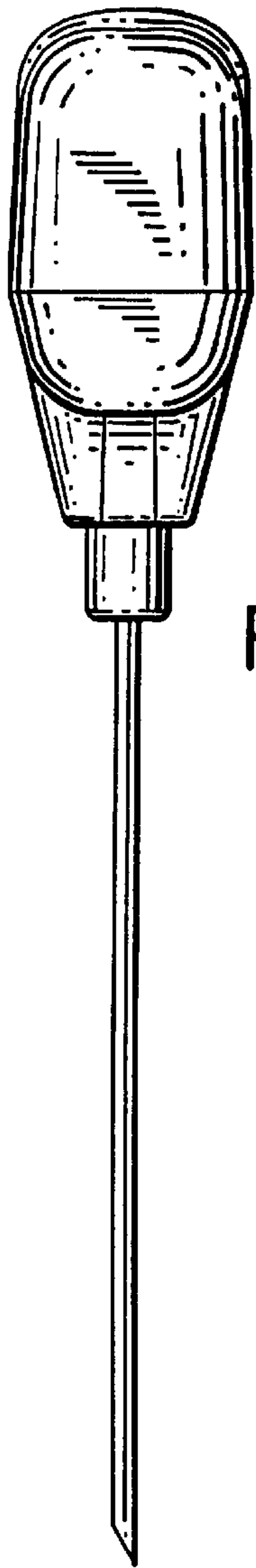


FIG. 4

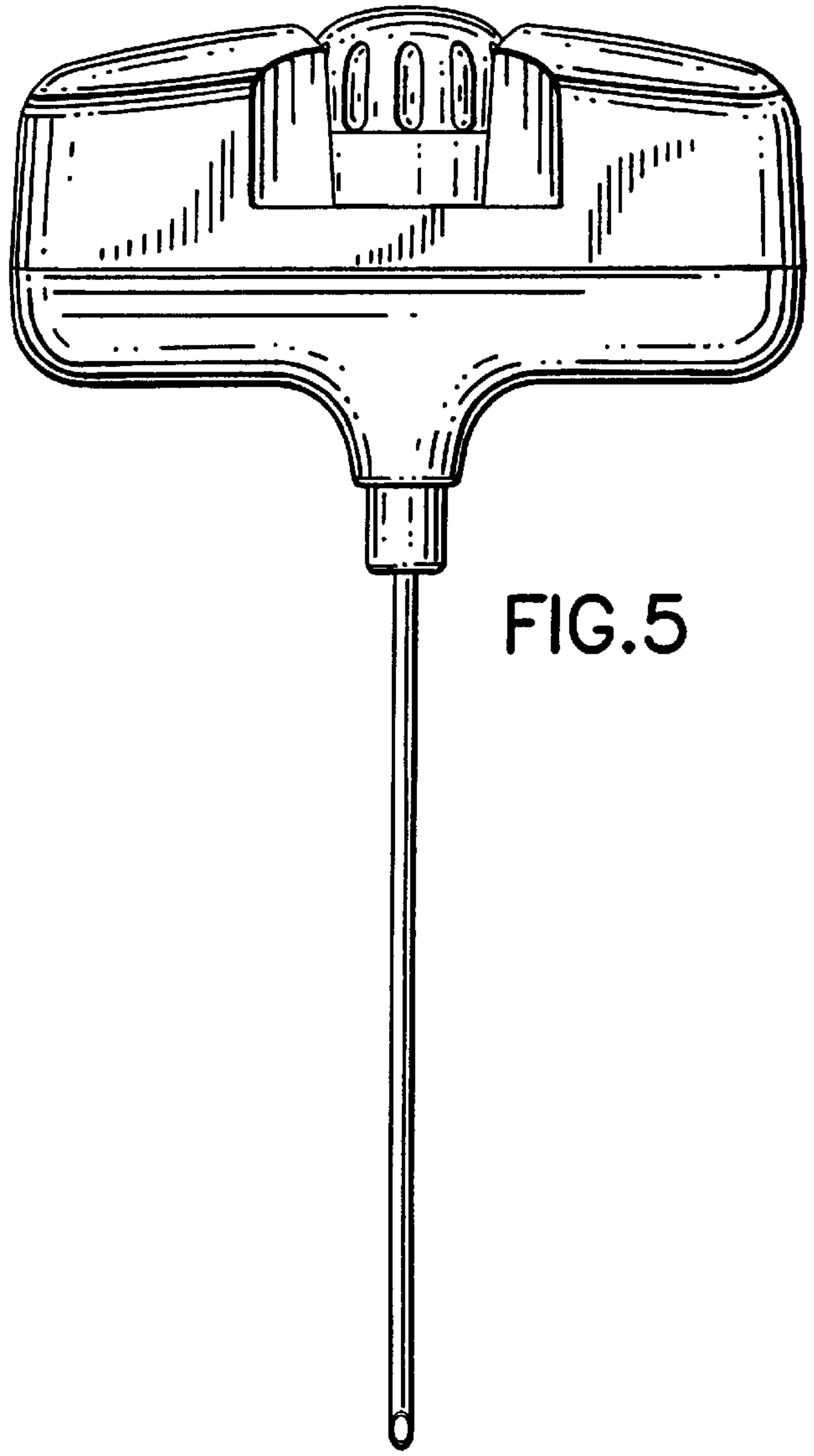


FIG. 5

FIG. 3

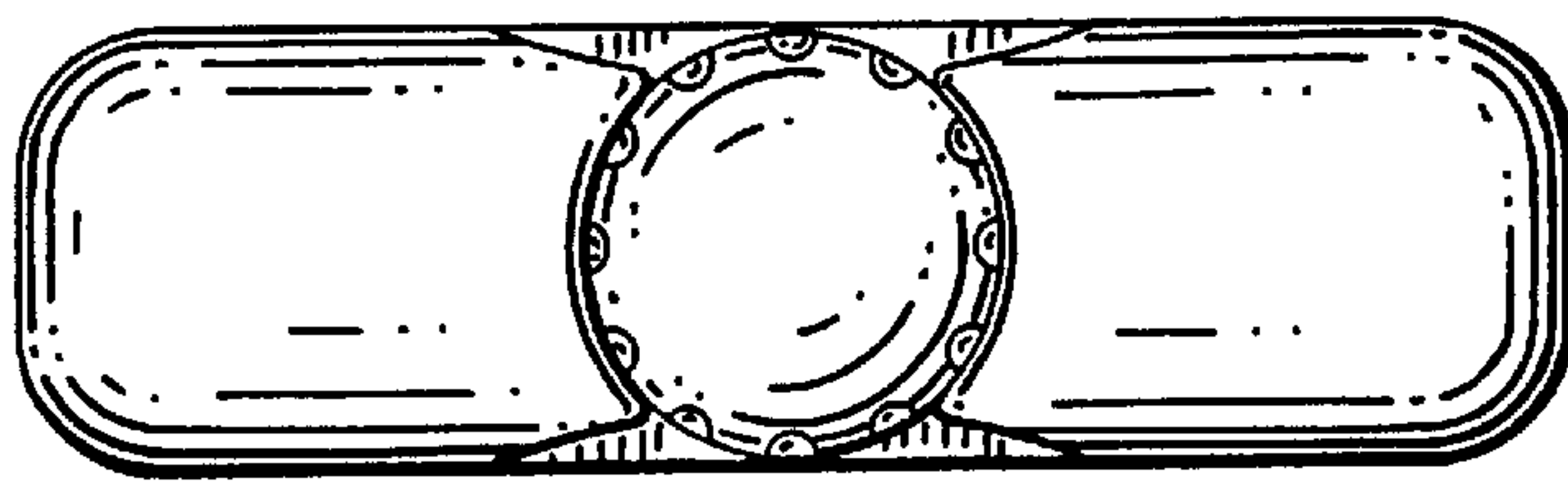


FIG. 6

