



US00D436662S

(12) **United States Design Patent**  
**Chandler et al.**

(10) **Patent No.:** **US D436,662 S**

(45) **Date of Patent:** **\*\* Jan. 23, 2001**

(54) **CAPSULORHEXIS FORCEPS WITH TAB**

(75) Inventors: **Lamar Chandler**, St. Petersburg, FL  
(US); **Edwin G. Lee**, Burlington, MA  
(US); **Thomas Mc Linden**, Woodbury;  
**Aaron Szymanski**, Bristol, both of CT  
(US)

(73) Assignee: **Becton, Dickinson and Company**,  
Franklin Lakes, NJ (US)

(\*\*) Term: **14 Years**

(21) Appl. No.: **29/112,688**

(22) Filed: **Oct. 21, 1999**

(51) **LOC (7) Cl.** ..... **24-02**

(52) **U.S. Cl.** ..... **D24/143**

(58) **Field of Search** ..... D24/143, 133;  
D28/55; 606/205, 207, 210, 211, 213, 206,  
215, 217, 227, 221, 107, 148, 162, 174

(56) **References Cited**

**U.S. PATENT DOCUMENTS**

D. 274,465	*	6/1984	Davison	.....	D24/145
D. 341,886	*	11/1993	Stolte	.....	D24/143
D. 355,455	*	2/1995	Stolte	.....	D24/143
4,706,669		11/1987	Schlegel	.....	128/329 R
4,753,235		6/1988	Hasson	.....	128/321
4,766,897		8/1988	Smirmaul	.....	128/305
4,785,810		11/1988	Baccala et al.	.....	128/321
4,911,161		3/1990	Schechter	.....	606/171
5,135,530		8/1992	Lehmer	.....	606/107
5,167,618		12/1992	Kershner	.....	606/22

5,269,787	12/1993	Cozean, Jr. et al.	.....	606/107
5,275,607	1/1994	Lo et al.	.....	606/169
5,728,117	3/1998	Lash	.....	606/166
5,766,181	6/1998	Chambers et al.	.....	606/107

**OTHER PUBLICATIONS**

“Closed-chamber capsulohexis for cataract extraction combined with penetrating keratoplasty”, Lee SaBaca, M.D.; Randy J. Epstein, M.D., *J Cataract Retract Surg*—vol. 27, May 1998, pp. 581–584, pp. 64–65—Forceps, ASICO, p. 62—Forceps—Katena.

Akorn Ophthalmics, Utrata/Kershner Capsulorhexis Cystotome Forceps in Titanium (4 pages).

\* cited by examiner

*Primary Examiner*—Stella Reid

(74) *Attorney, Agent, or Firm*—John L. Voellmicke; Keith J. McWha

(57) **CLAIM**

The ornamental design for a capsulorhexis forceps with tab, as shown and described.

**DESCRIPTION**

FIG. 1 is a perspective view of a capsulorhexis forceps with tab, showing our design;

FIG. 2 is a top view of the subject design in FIG. 1;

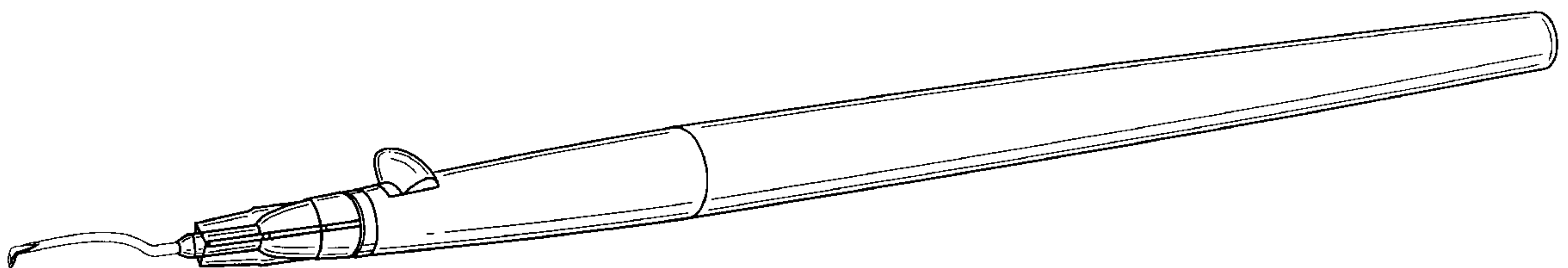
FIG. 3 is a left-side view of the subject design in FIG. 1, the right-side view being a mirror image thereof;

FIG. 4 is a bottom view of the subject design in FIG. 1;

FIG. 5 is a rear view of the subject design in FIG. 1; and,

FIG. 6 is a front view of the subject design in FIG. 1.

**1 Claim, 3 Drawing Sheets**



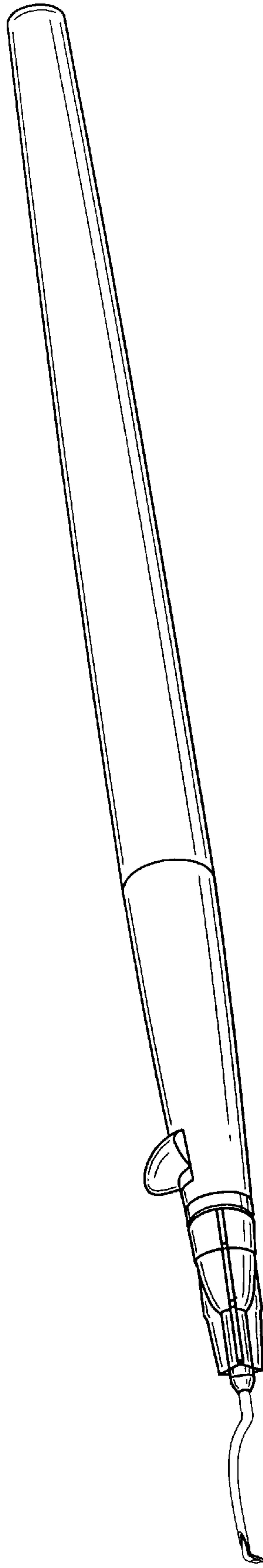


FIG. 1

FIG. 2

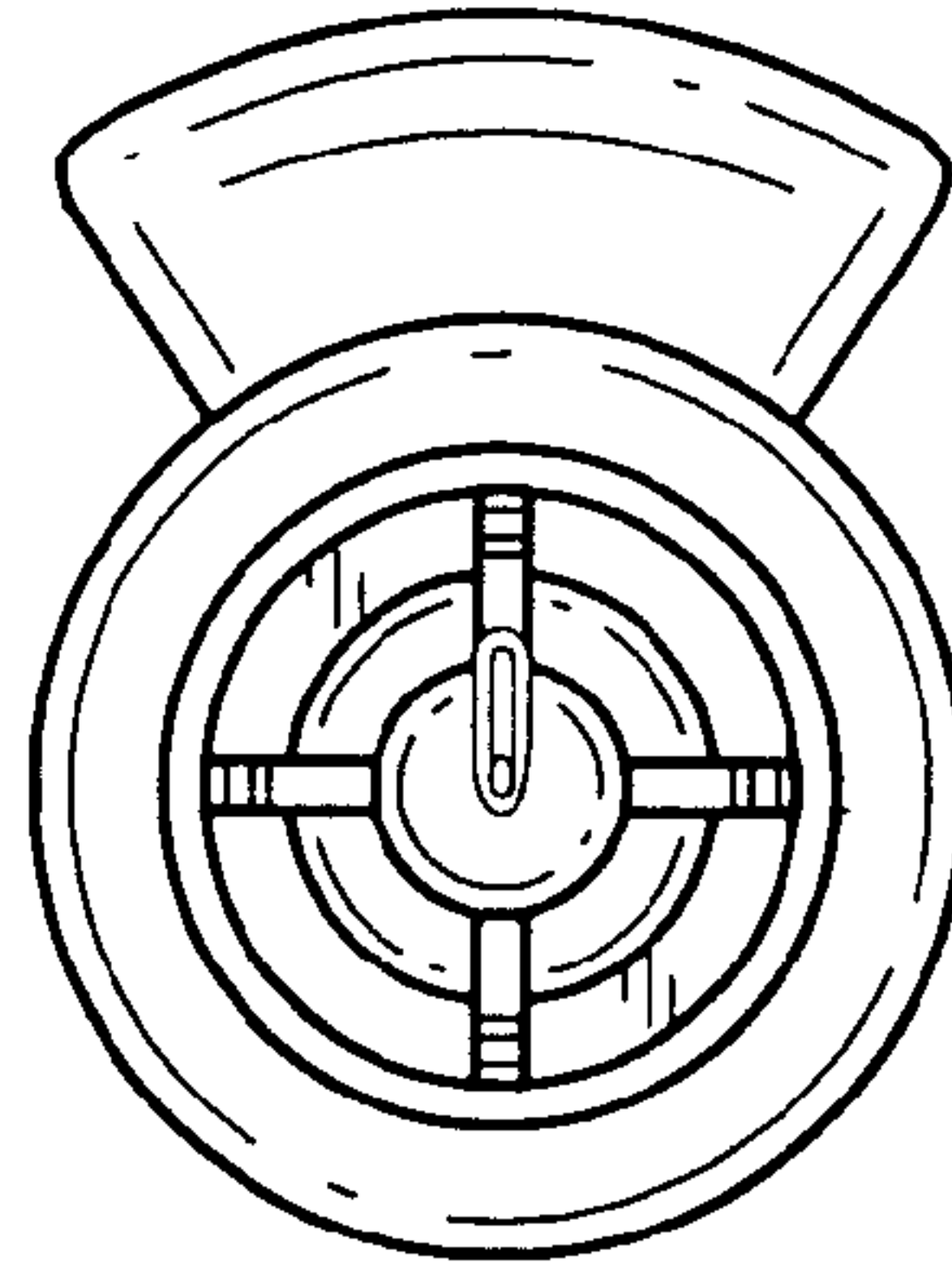


FIG. 3

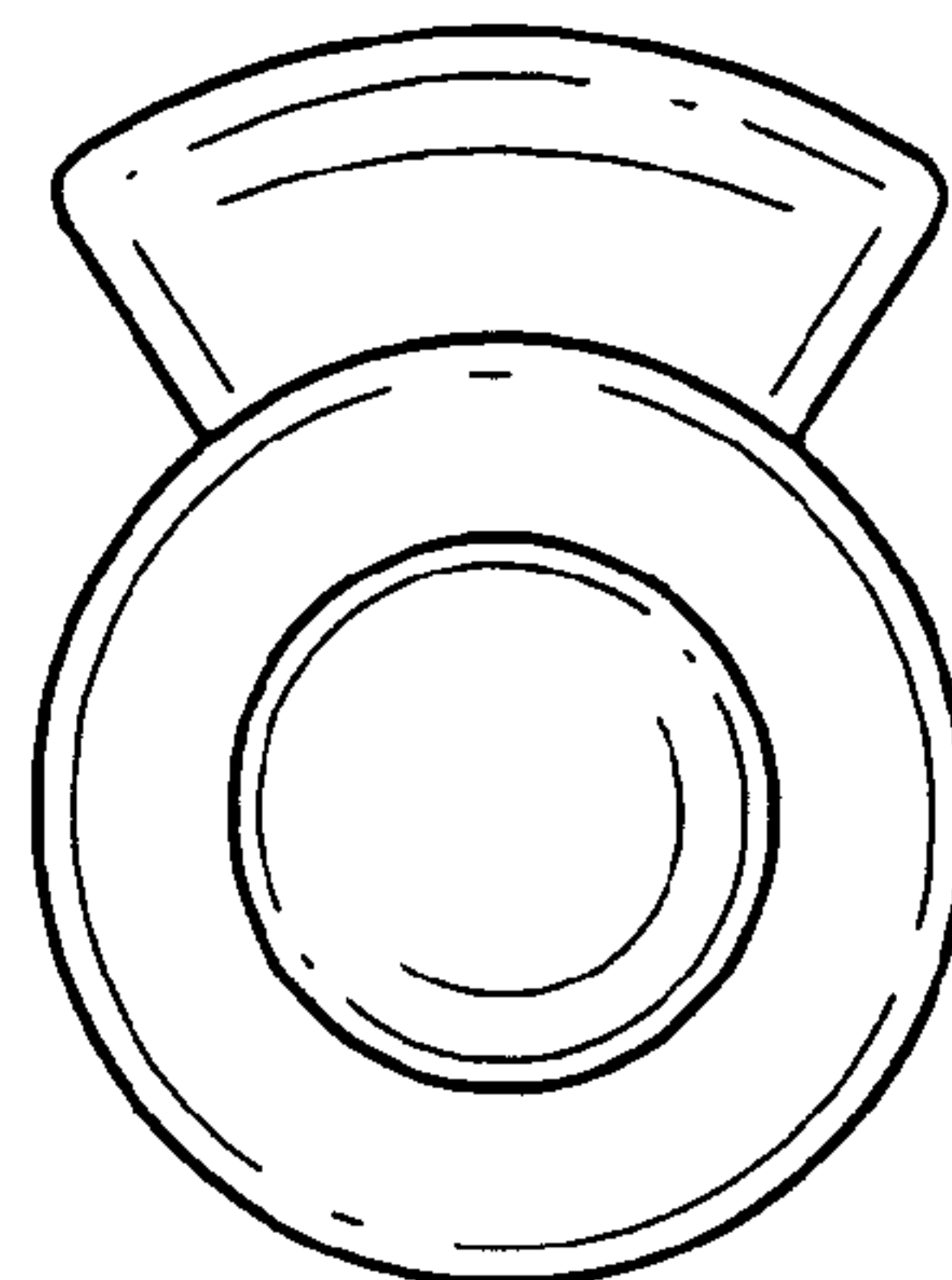


FIG. 4

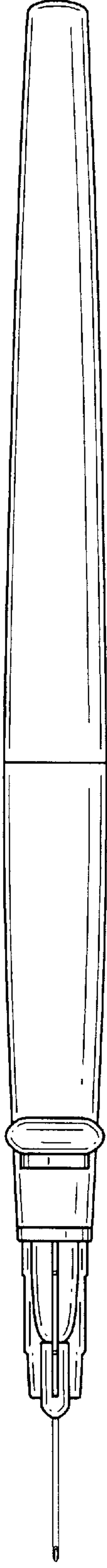


FIG. 5

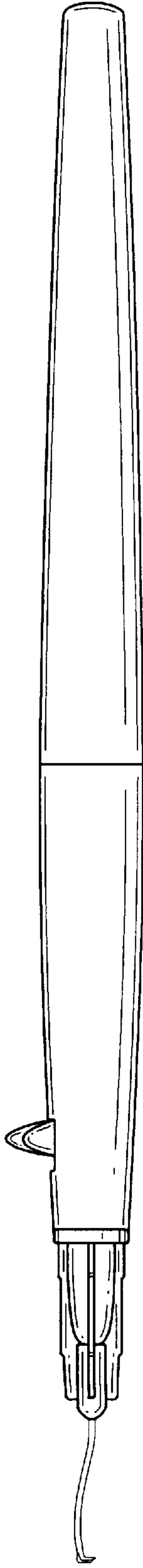


FIG. 6

